

US00D547488S

(12) **United States Design Patent**
Franz

(10) **Patent No.:** **US D547,488 S**

(45) **Date of Patent:** **** Jul. 24, 2007**

(54) **LIGHTER**

D514,741 S * 2/2006 Cohen Harel D27/157
D529,660 S * 10/2006 Park D27/157

(75) Inventor: **Haimer Franz**, Igenhausen (DE)

* cited by examiner

(73) Assignee: **Haimer GmbH**, Igenhausen (DE)

Primary Examiner—Jennifer Rivard

(**) Term: **14 Years**

(74) *Attorney, Agent, or Firm*—Van Dyke, Gardner, Linn & Burkhardt, LLP

(21) Appl. No.: **29/266,824**

(57) **CLAIM**

(22) Filed: **Sep. 28, 2006**

The ornamental design for a lighter, as shown and described.

(30) **Foreign Application Priority Data**

DESCRIPTION

Mar. 30, 2006 (EM) 000504709

FIG. 1 is a perspective view of a lighter design of the present invention;

(51) **LOC (8) Cl.** **27-05**

(52) **U.S. Cl.** **D27/141; D27/157; D27/159**

FIG. 2 is an elevation view of the lighter of FIG. 1;

(58) **Field of Classification Search** D27/141–161;

431/129, 153, 143, 253–256, 273–277

See application file for complete search history.

FIG. 3 is a second elevation view of the lighter of FIG. 1;

FIG. 4 is a third elevation view of the lighter of FIG. 1;

FIG. 5 is a fourth elevation view of the lighter of FIG. 1;

FIG. 6 is a top plan view of the lighter of FIG. 1; and,

FIG. 7 is a bottom plan view of the lighter of FIG. 2.

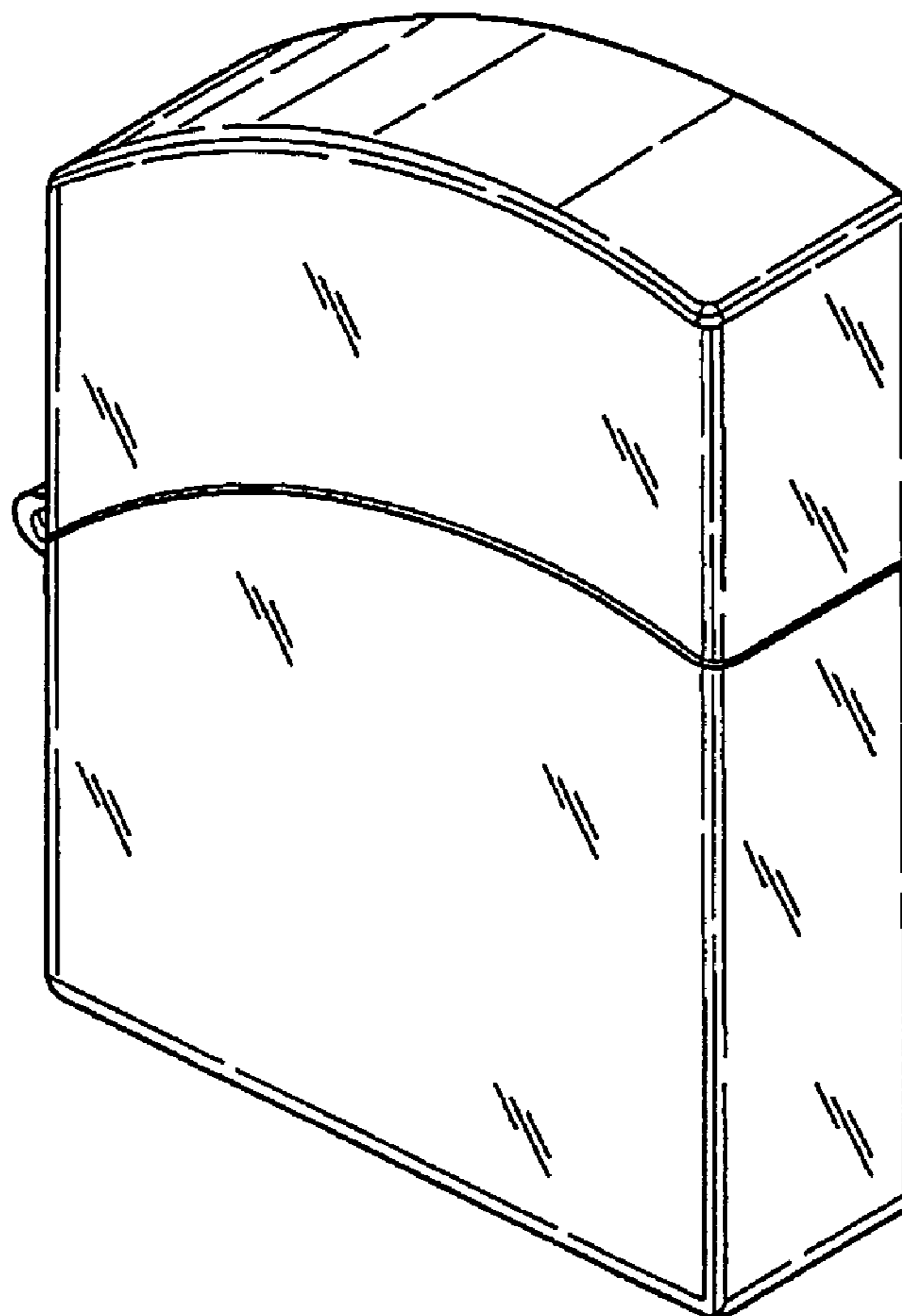
(56) **References Cited**

U.S. PATENT DOCUMENTS

D169,135 S * 3/1953 Fukal D27/159

D397,825 S * 9/1998 Segawa D27/159

1 Claim, 4 Drawing Sheets



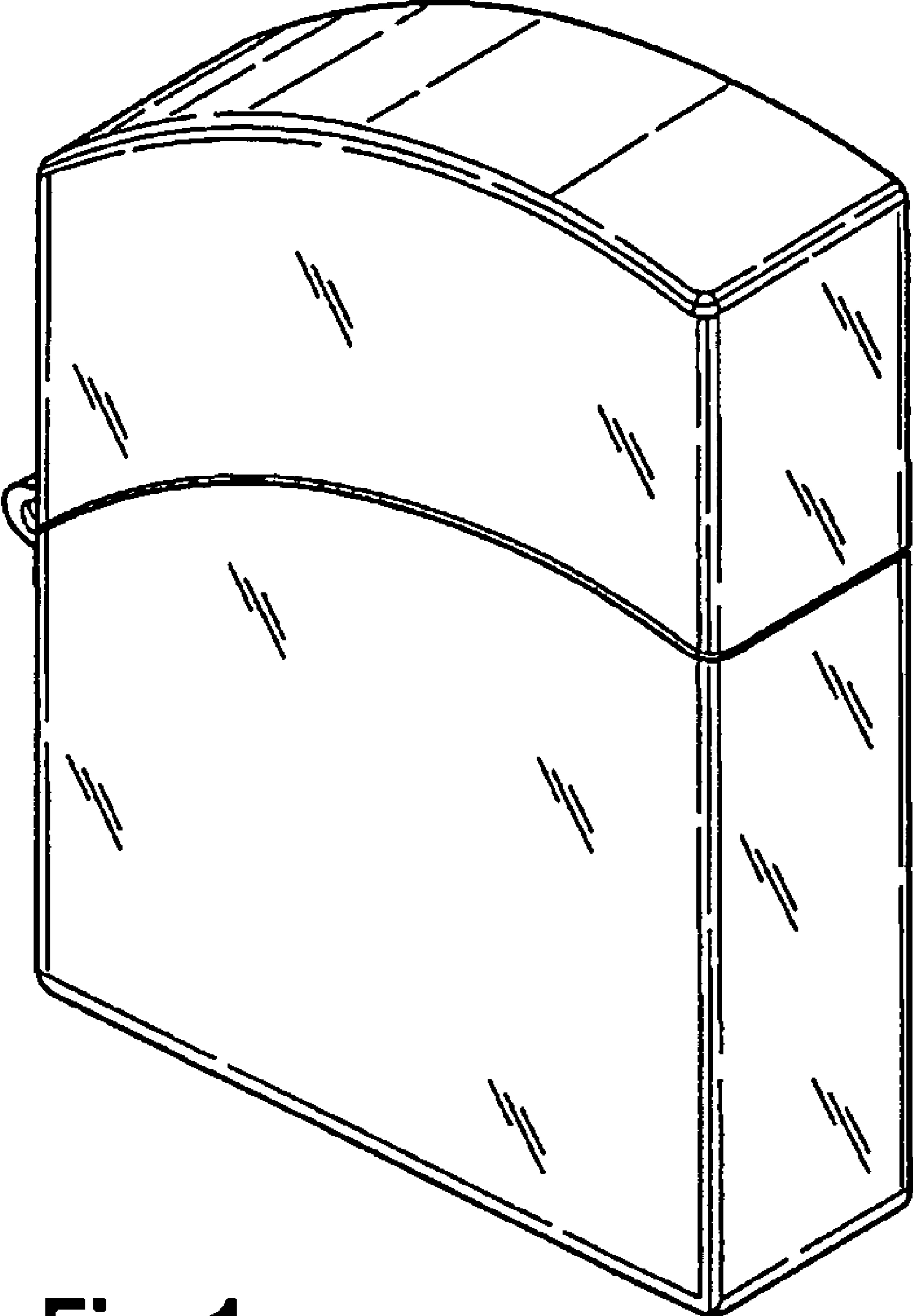


Fig. 1

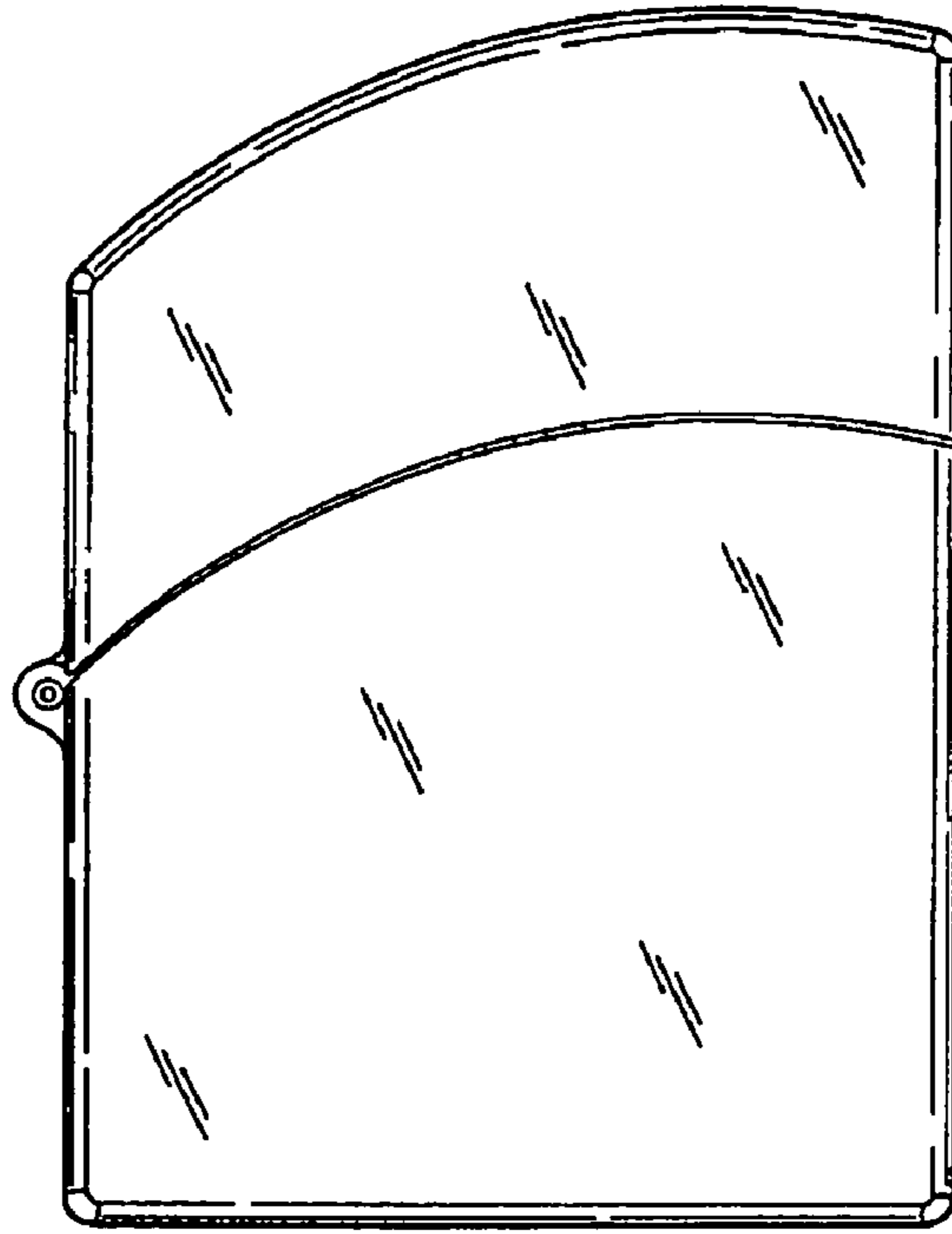


Fig. 2

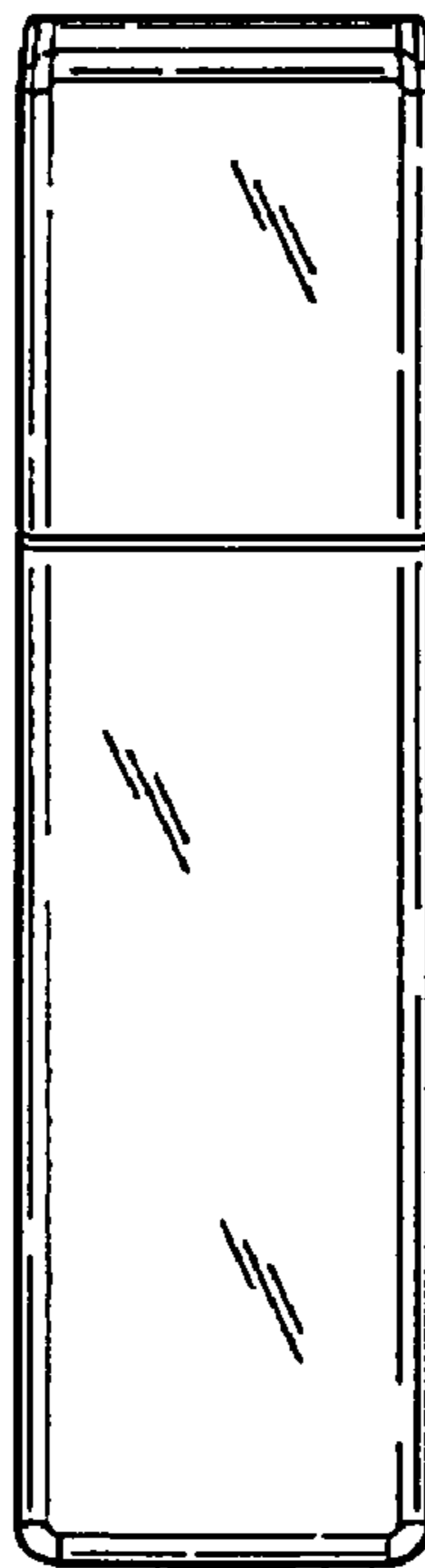


Fig. 3

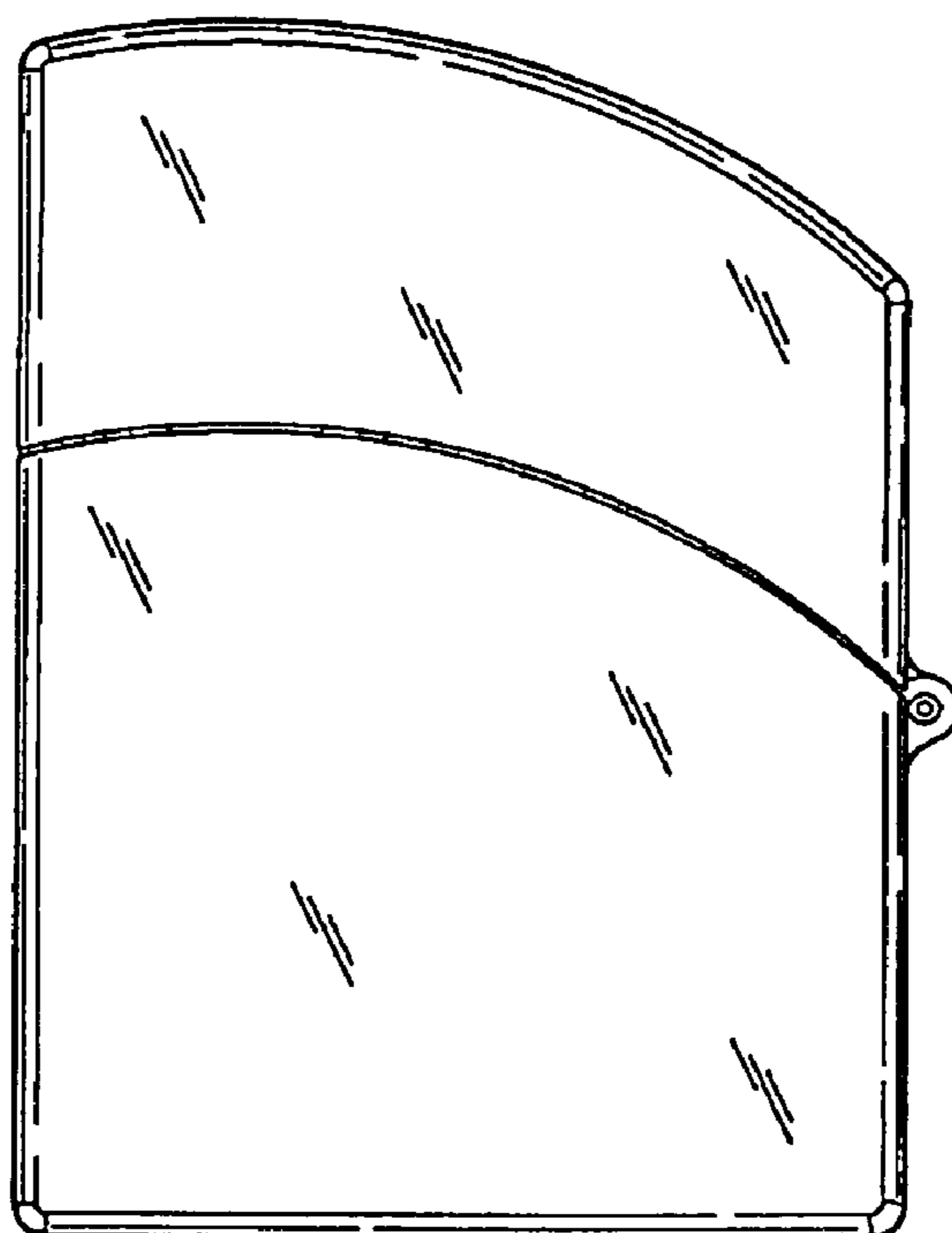


Fig. 4

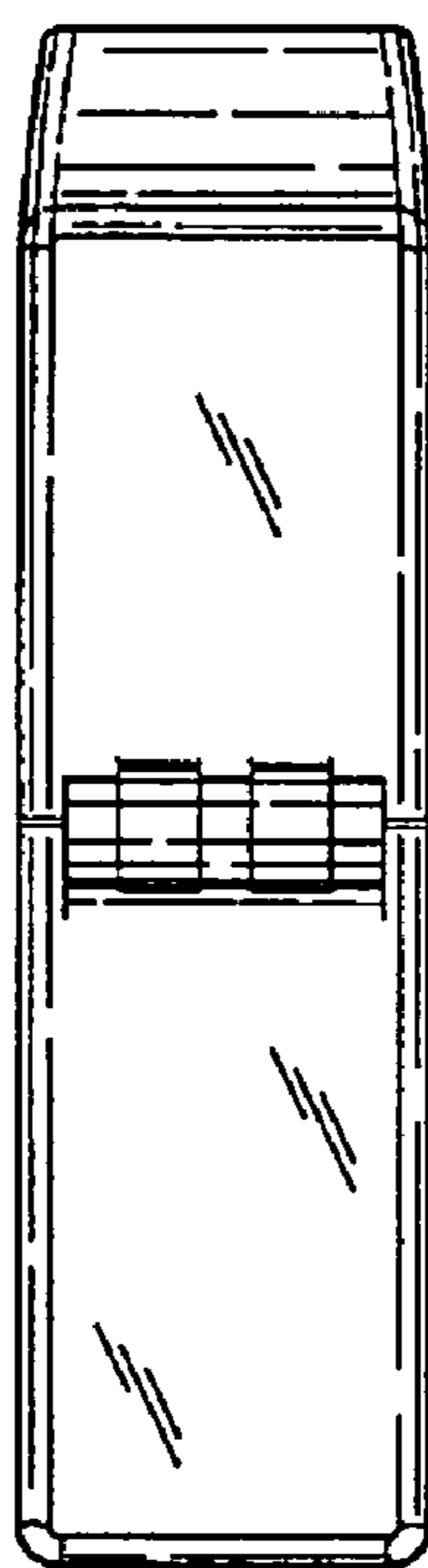


Fig. 5

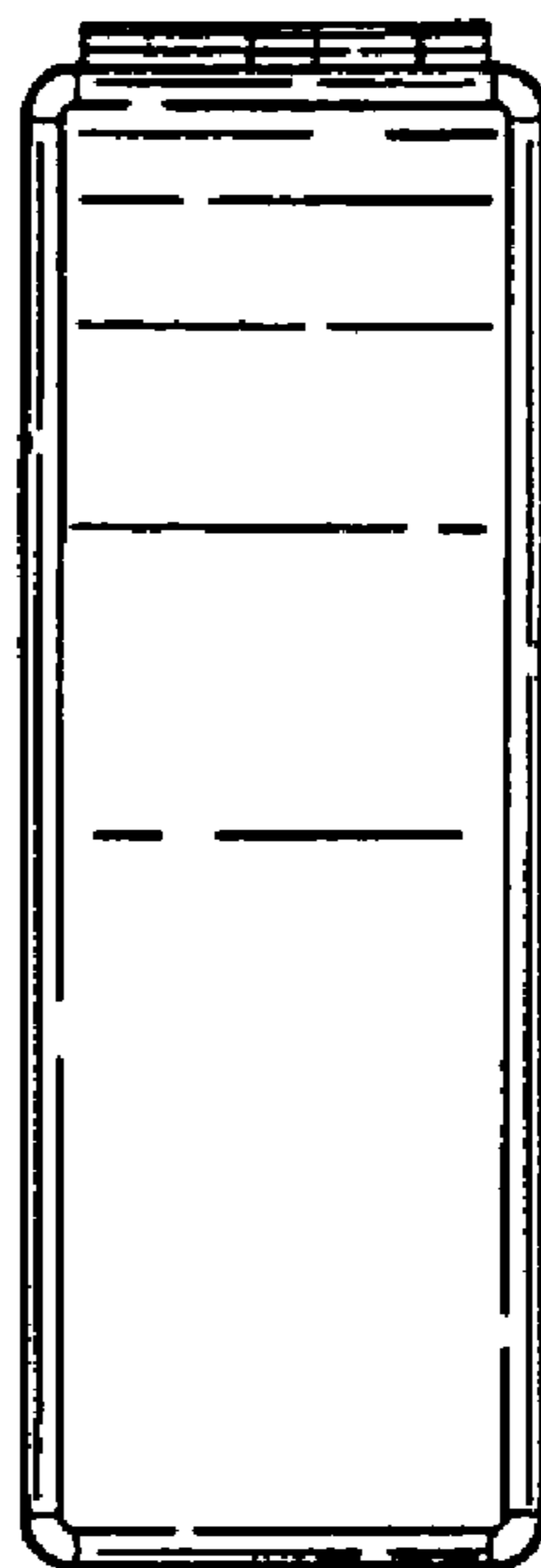


Fig. 6

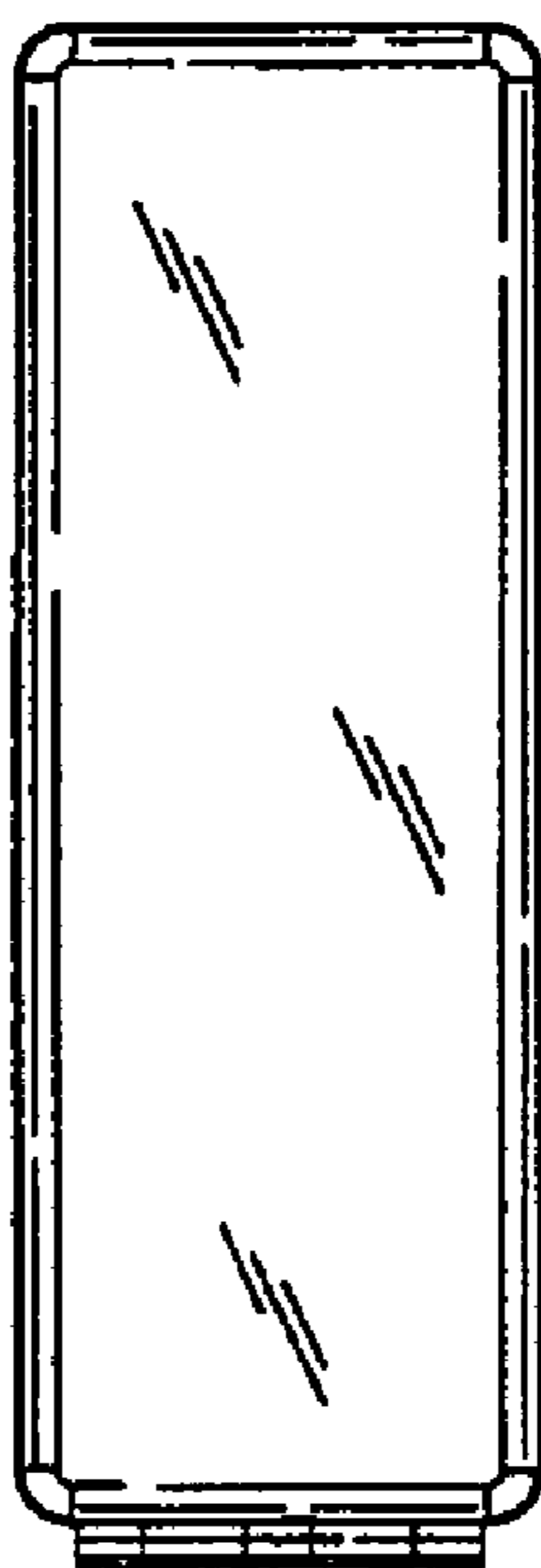


Fig. 7