



US00D547486S

(12) **United States Design Patent**  
**Donegani et al.**

(10) **Patent No.:** **US D547,486 S**  
(45) **Date of Patent:** **\*\* Jul. 24, 2007**

(54) **LAMP**

(75) Inventors: **Dante Vittorino Donegani**, Milan (IT);  
**Giovanni Lauda**, Milan (IT)

(73) Assignee: **Rotaliana S.R.L.**, Mezzolombardo (IT)

(\*\*) Term: **14 Years**

(21) Appl. No.: **29/230,919**

(22) Filed: **May 31, 2005**

(30) **Foreign Application Priority Data**

Dec. 2, 2004 (EM) ..... 000263306

(51) **LOC (8) Cl.** ..... **26-03**

(52) **U.S. Cl.** ..... **D26/104**

(58) **Field of Classification Search** ..... D26/51,  
D26/55, 93-112; D9/500-505, 517, 737,  
D9/418, 738, 529, 557, 574; 362/410-414,  
362/157-159, 253, 806, 805; D11/144, 145,  
D11/152

See application file for complete search history.

(56) **References Cited**

**U.S. PATENT DOCUMENTS**

D169,370 S \* 4/1953 Greenspan ..... D26/55 X  
D328,248 S \* 7/1992 Ruff ..... D9/418  
5,951,154 A \* 9/1999 Carel et al. .... 362/431

\* cited by examiner

*Primary Examiner*—Alan P. Douglas

*Assistant Examiner*—Linda Brooks

(74) *Attorney, Agent, or Firm*—Modiano & Associati; Albert  
Josif; Daniel O’Byrne

(57) **CLAIM**

The ornamental design for a “lamp”, as shown and  
described.

**DESCRIPTION**

FIG. 1 is a perspective view of a lamp, showing our new  
design;

FIG. 2 is a plan view from above thereof;

FIG. 3 is a perspective side view thereof;

FIG. 4 is a further perspective side view thereof;

FIG. 5 is a perspective view from below thereof;

FIG. 6 is a further perspective view from below thereof, in  
which a lid has been removed from a main body portion of  
the lamp;

FIG. 7 is an exploded perspective view thereof showing the  
lid removed from the main body portion thereof;

FIG. 8 is an exploded plan view from above thereof with the  
lid removed from the main body portion;

FIG. 9 is an exploded perspective side view thereof with the  
lid removed from the main body portion;

FIG. 10 is a further exploded perspective side view thereof  
with the lid removed from the main body portion;

FIG. 11 is an exploded perspective view from below thereof  
with the lid removed from the main body portion and turned  
upside down;

FIG. 12 is an exploded perspective view of the lamp similar  
to the view of FIG. 7 but with the lid removed from the main  
body and turned upside down;

FIG. 13 is an exploded plan view from above of the lamp  
with the lid removed from the main body and turned upside  
down;

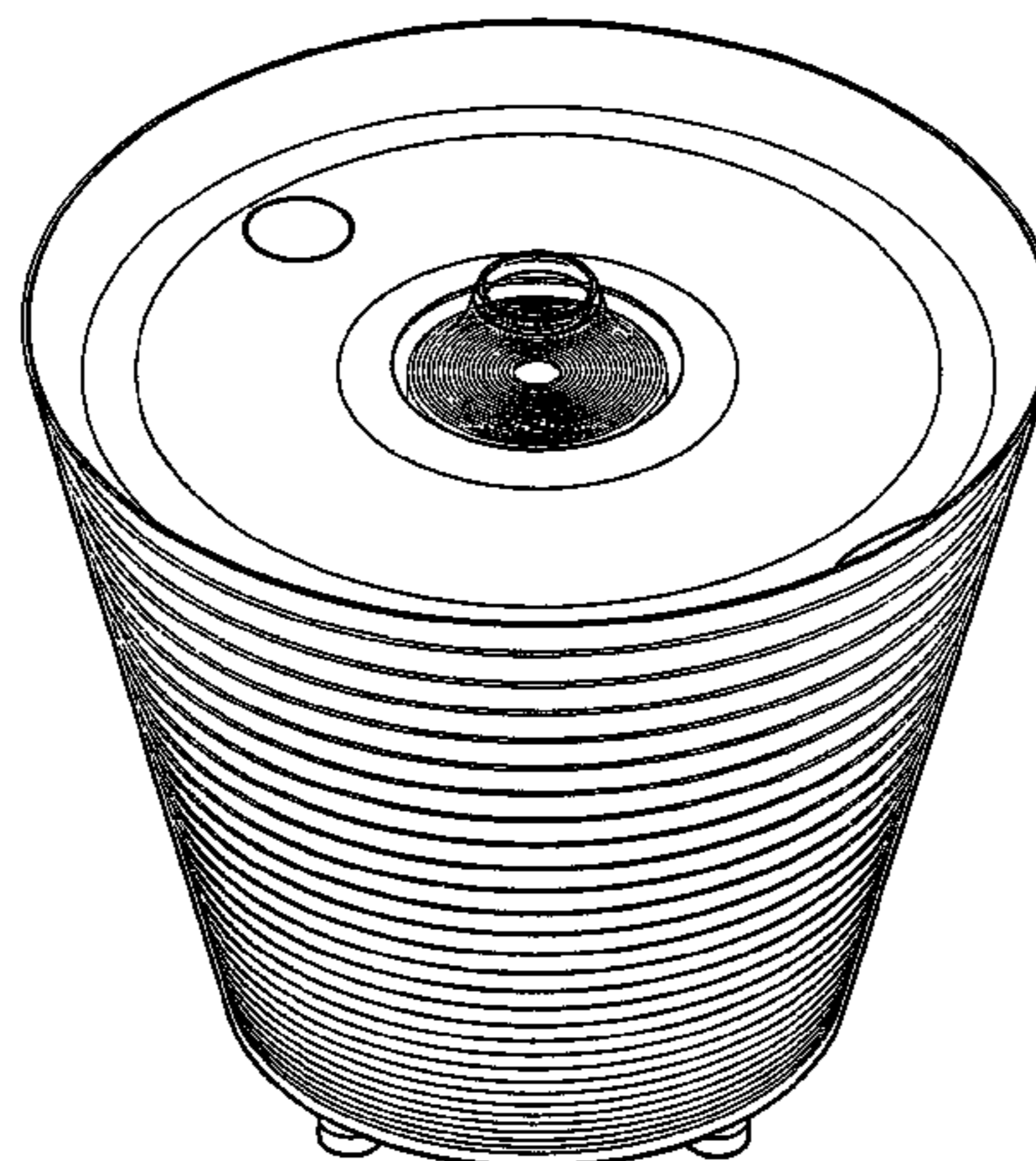
FIG. 14 is an exploded perspective side view of the lamp  
with the lid removed from the main body and turned upside  
down;

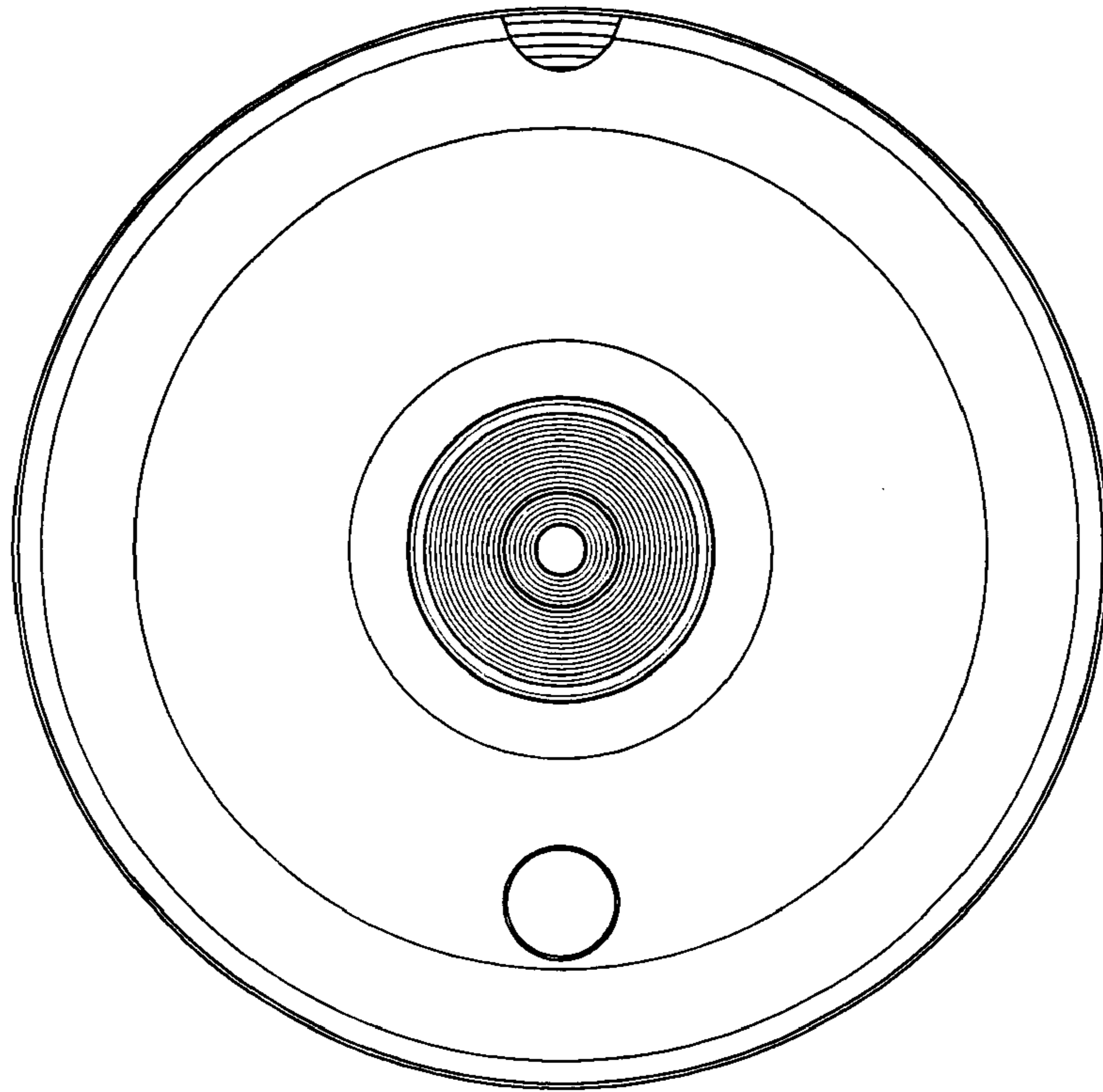
FIG. 15 is a further exploded perspective side view of the  
lamp with the lid removed from the main body and turned  
upside down; and,

FIG. 16 is an exploded perspective view from below of the  
lamp with the lid removed from the main body and turned  
upside down.

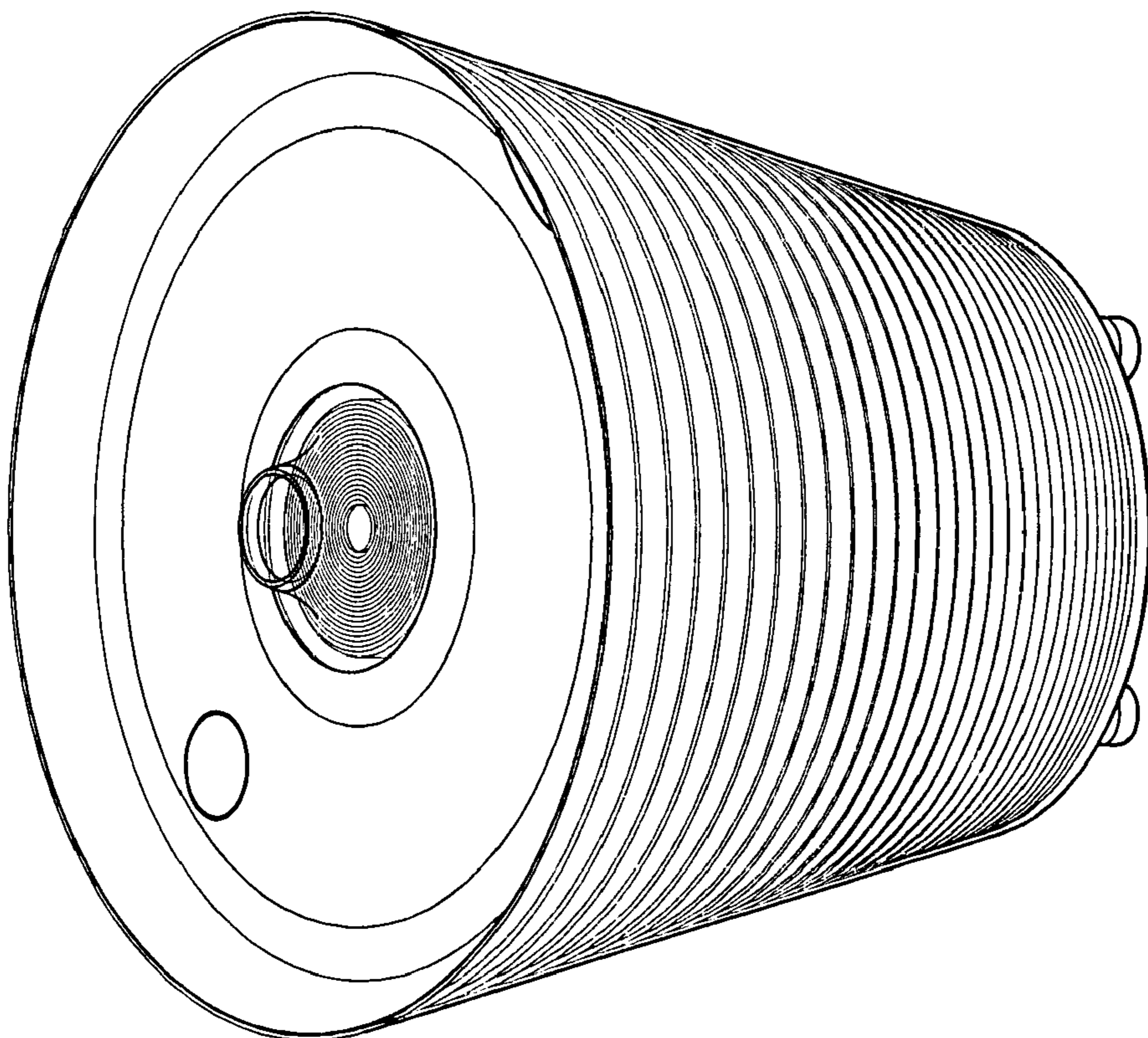
The drawing figures which show portions of the lamp  
separately are for clarity. The claimed lamp includes both  
the main body and the lid.

**1 Claim, 13 Drawing Sheets**

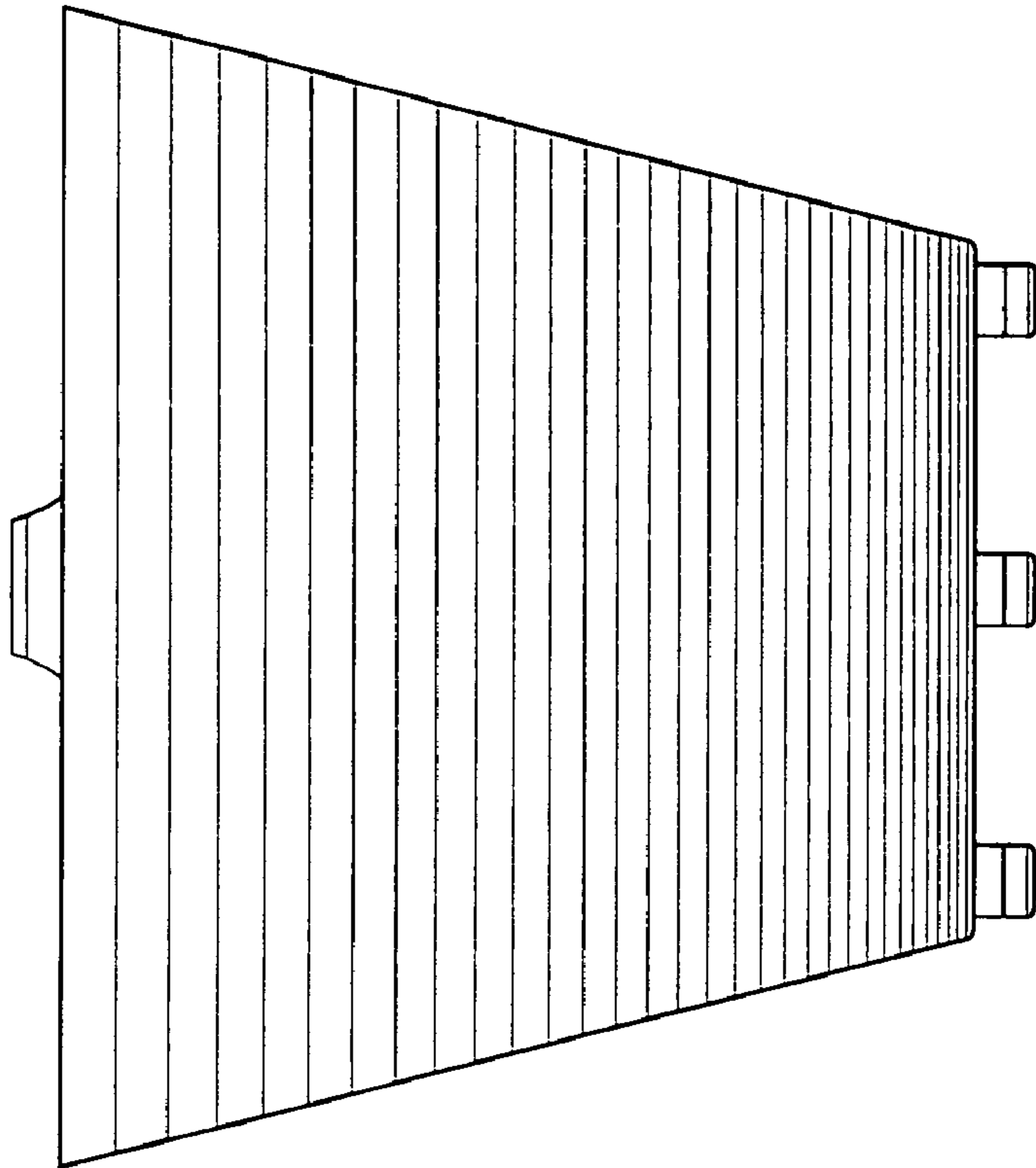




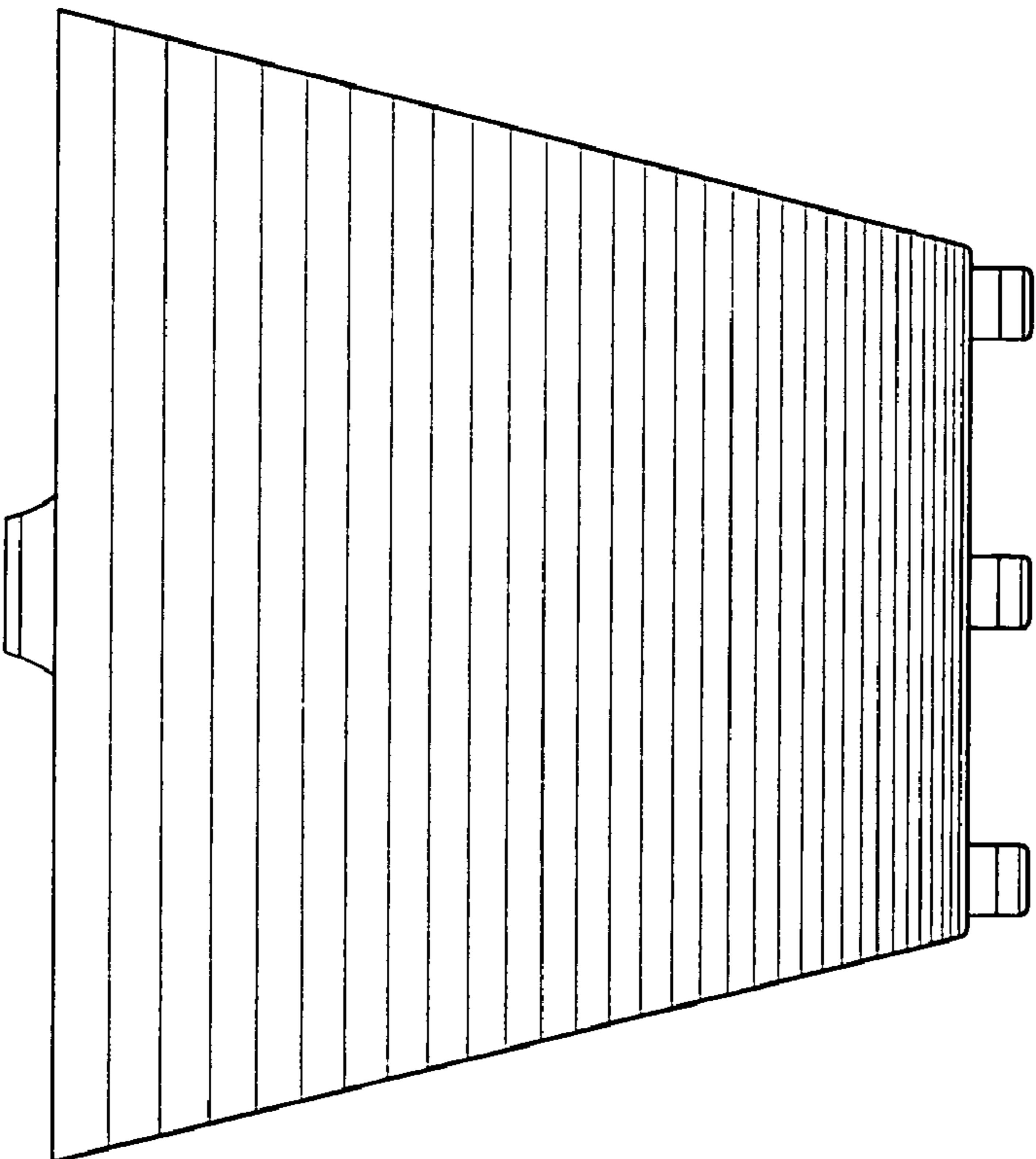
*Fig. 2*



*Fig. 1*

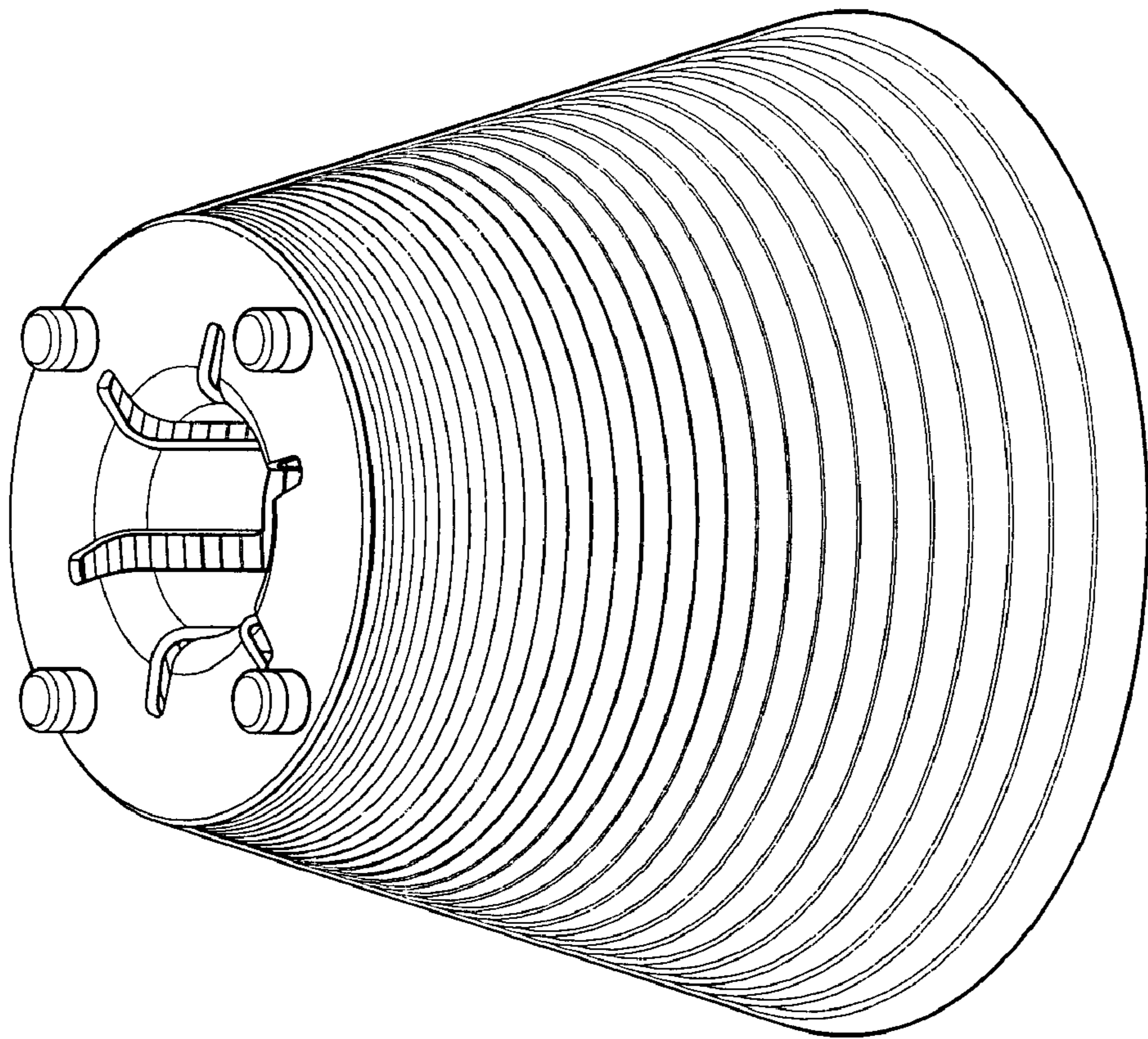


*Fig. 3*

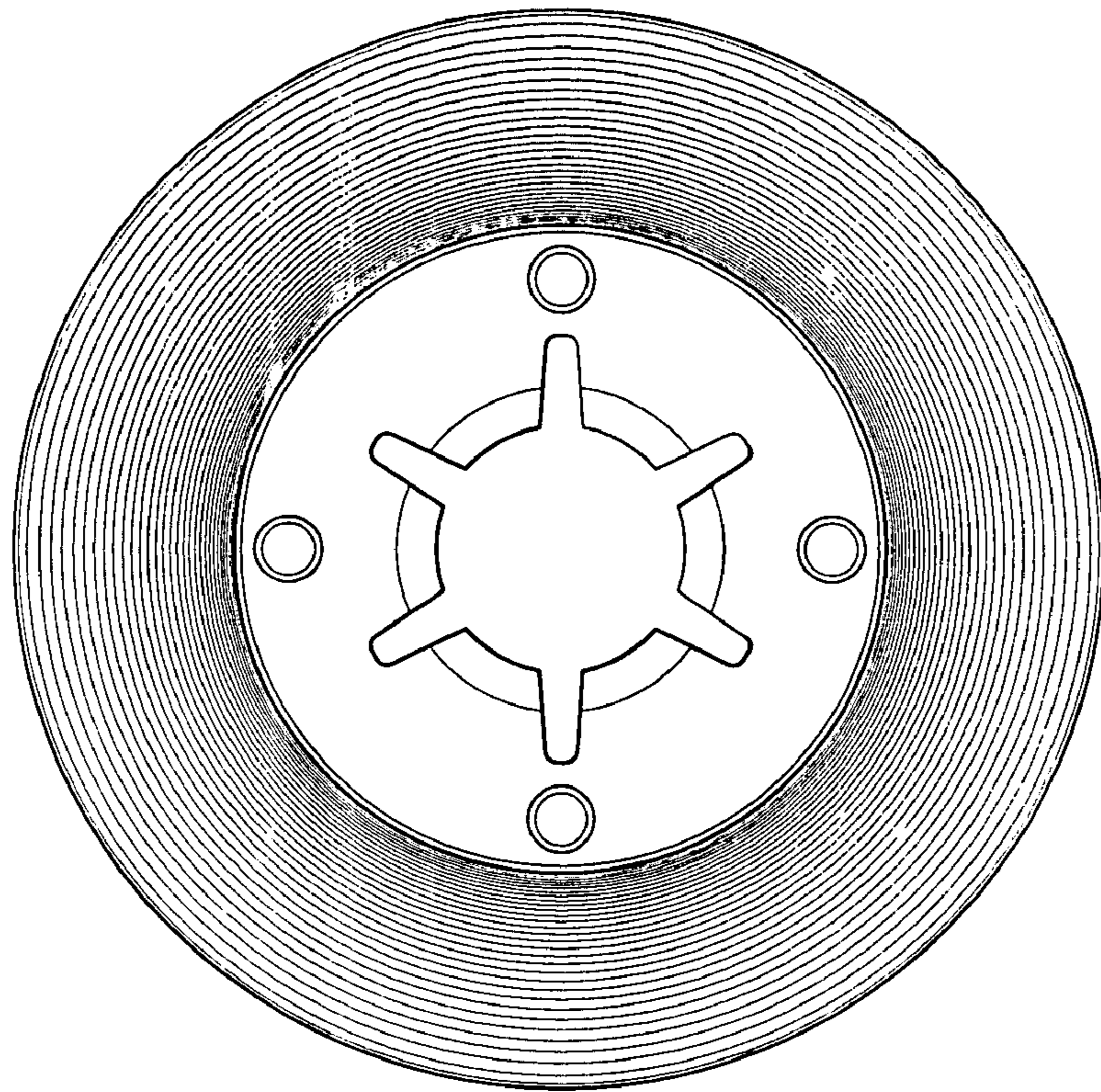


*Fig. 4*

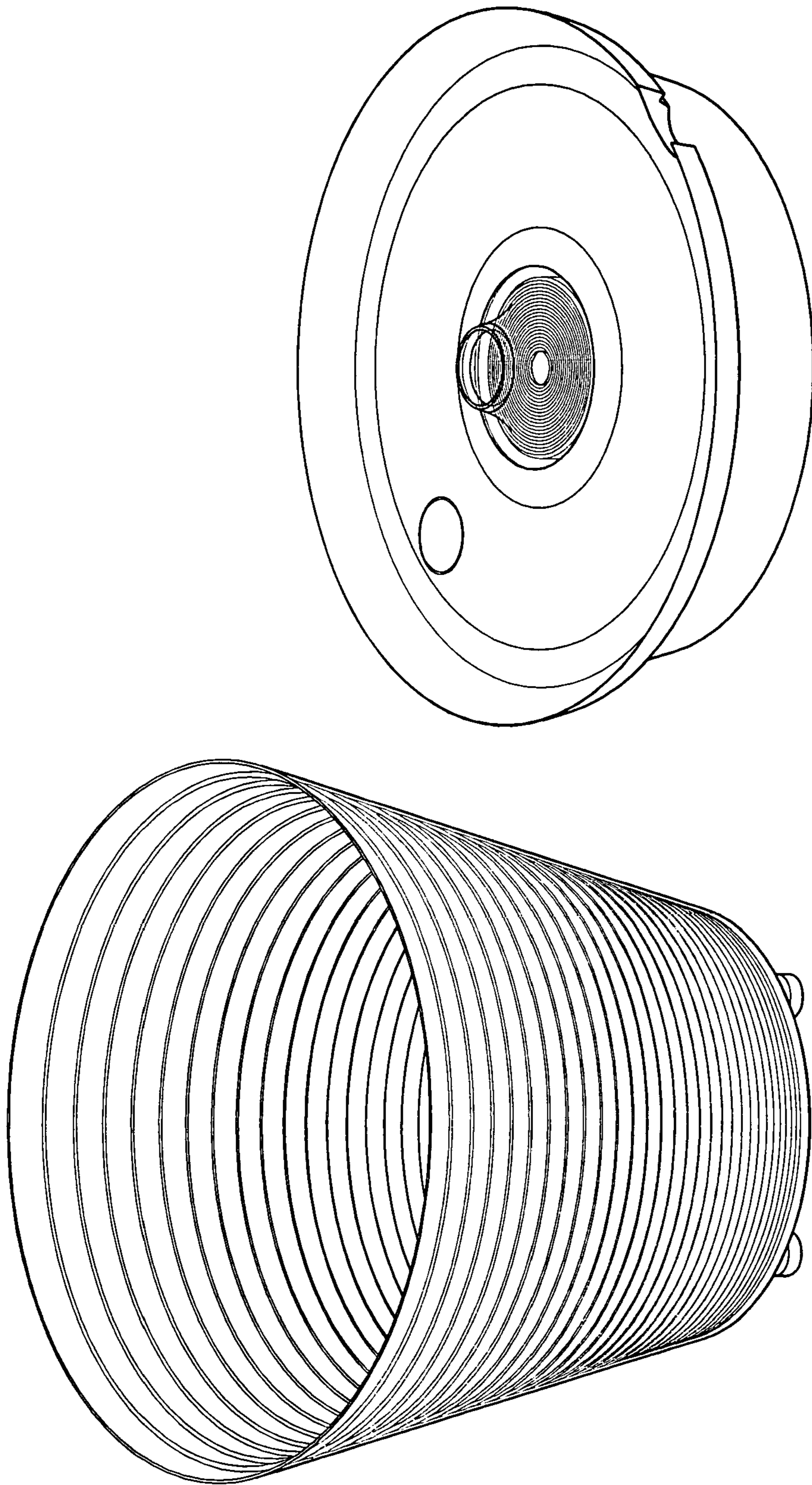




*Fig. 5*

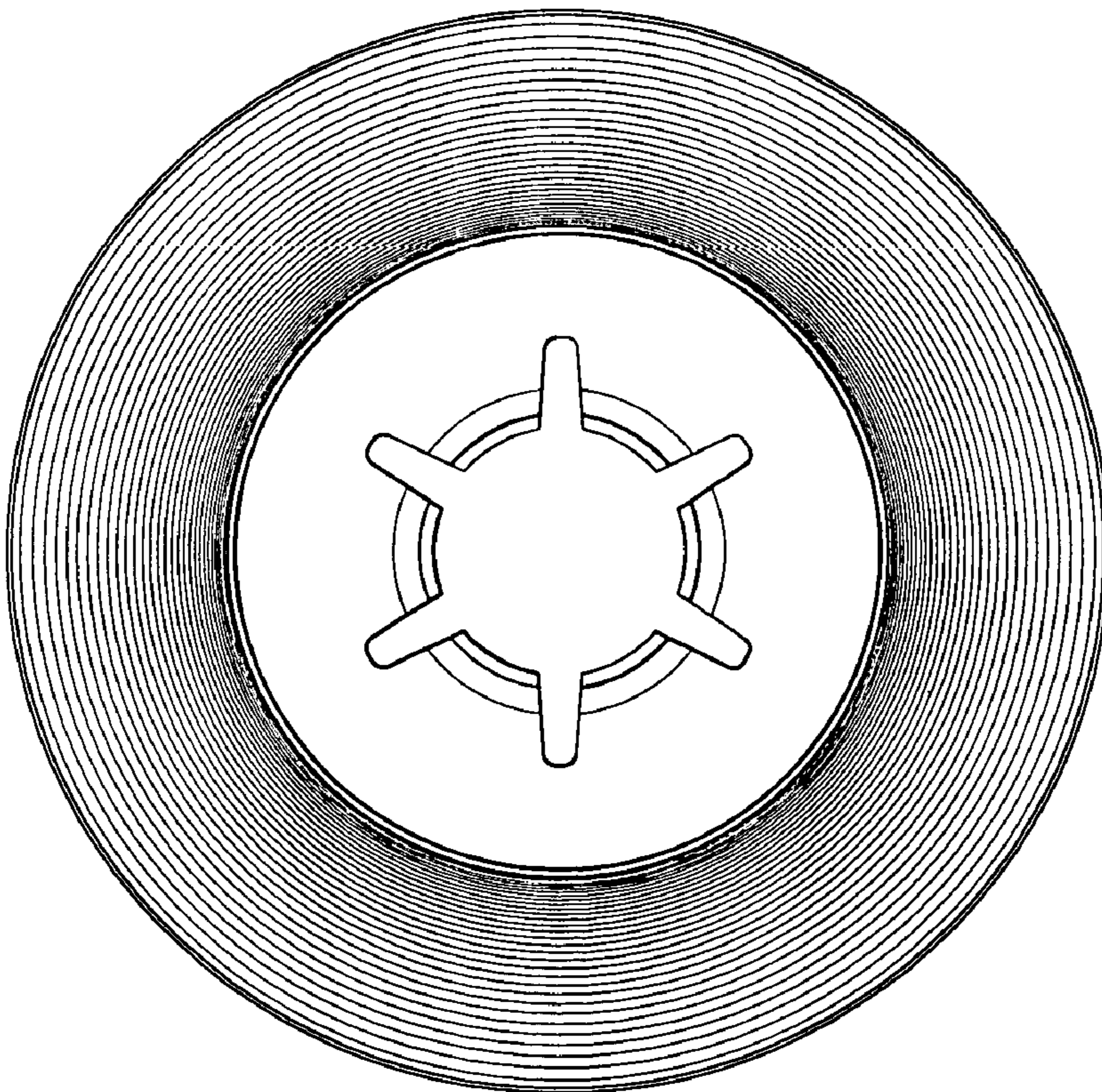
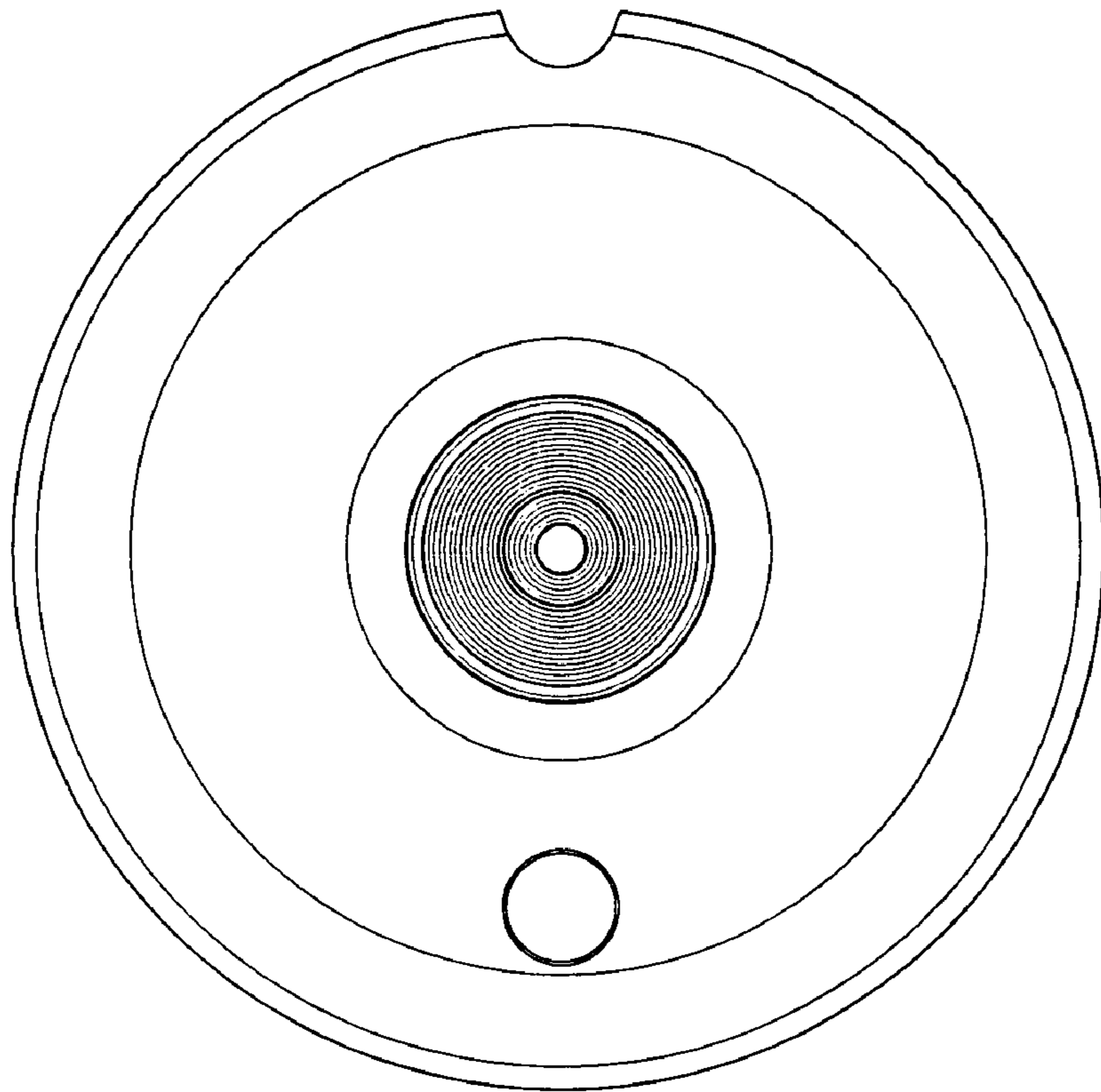


*Fig. 6*

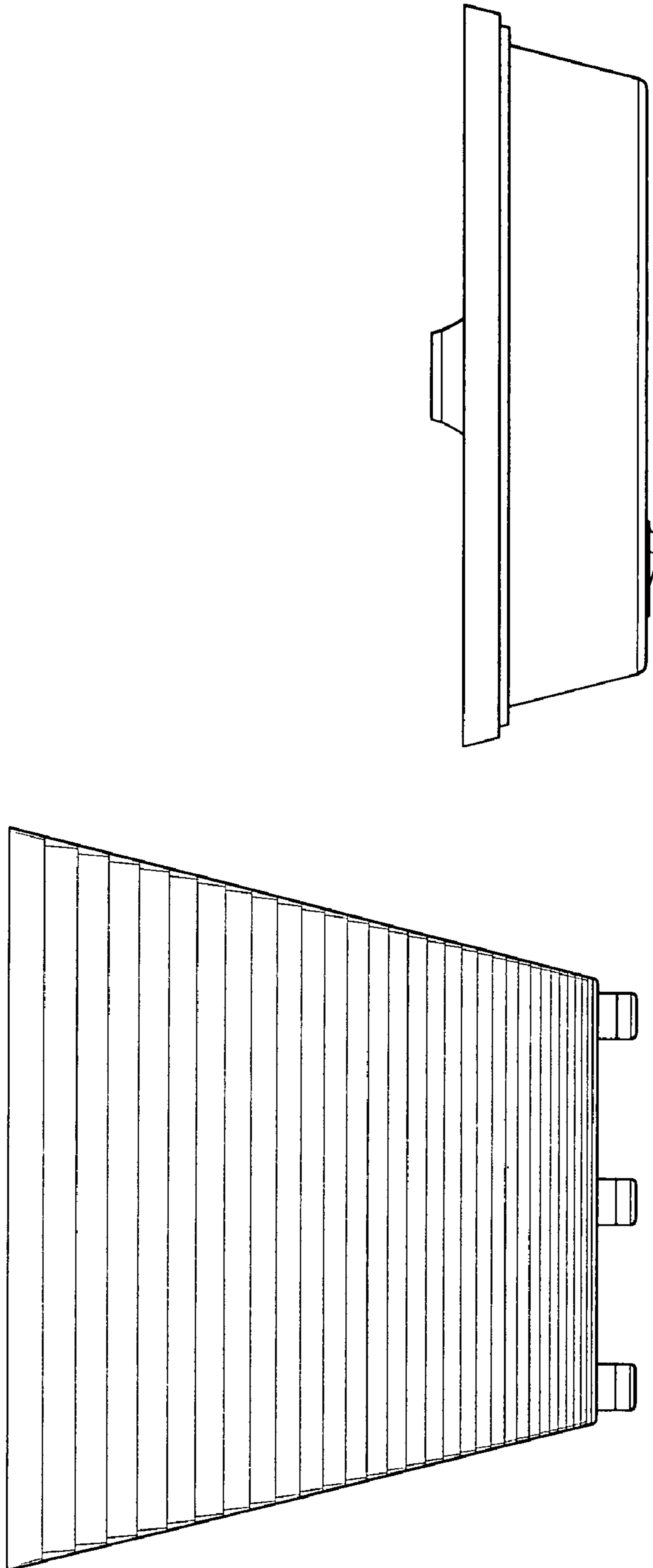


*Fig. 7*

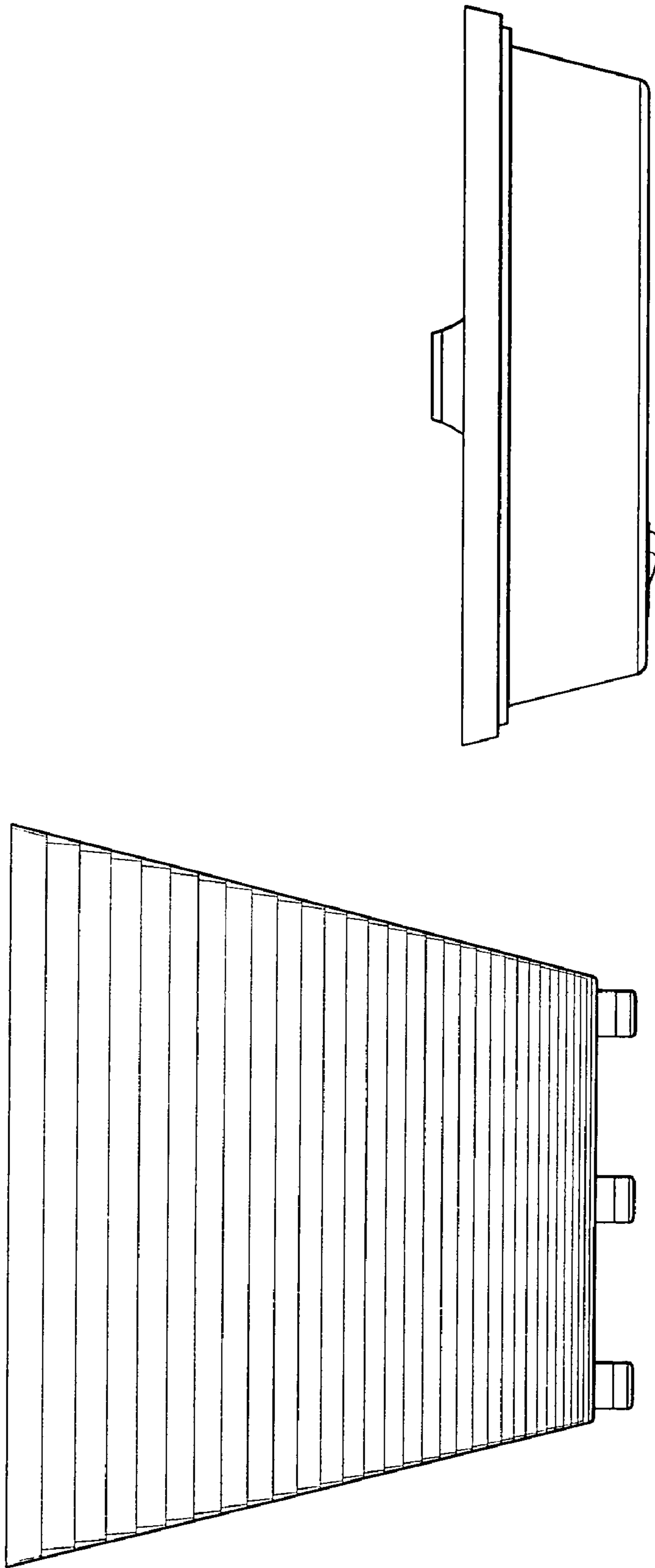




*Fig. 8*

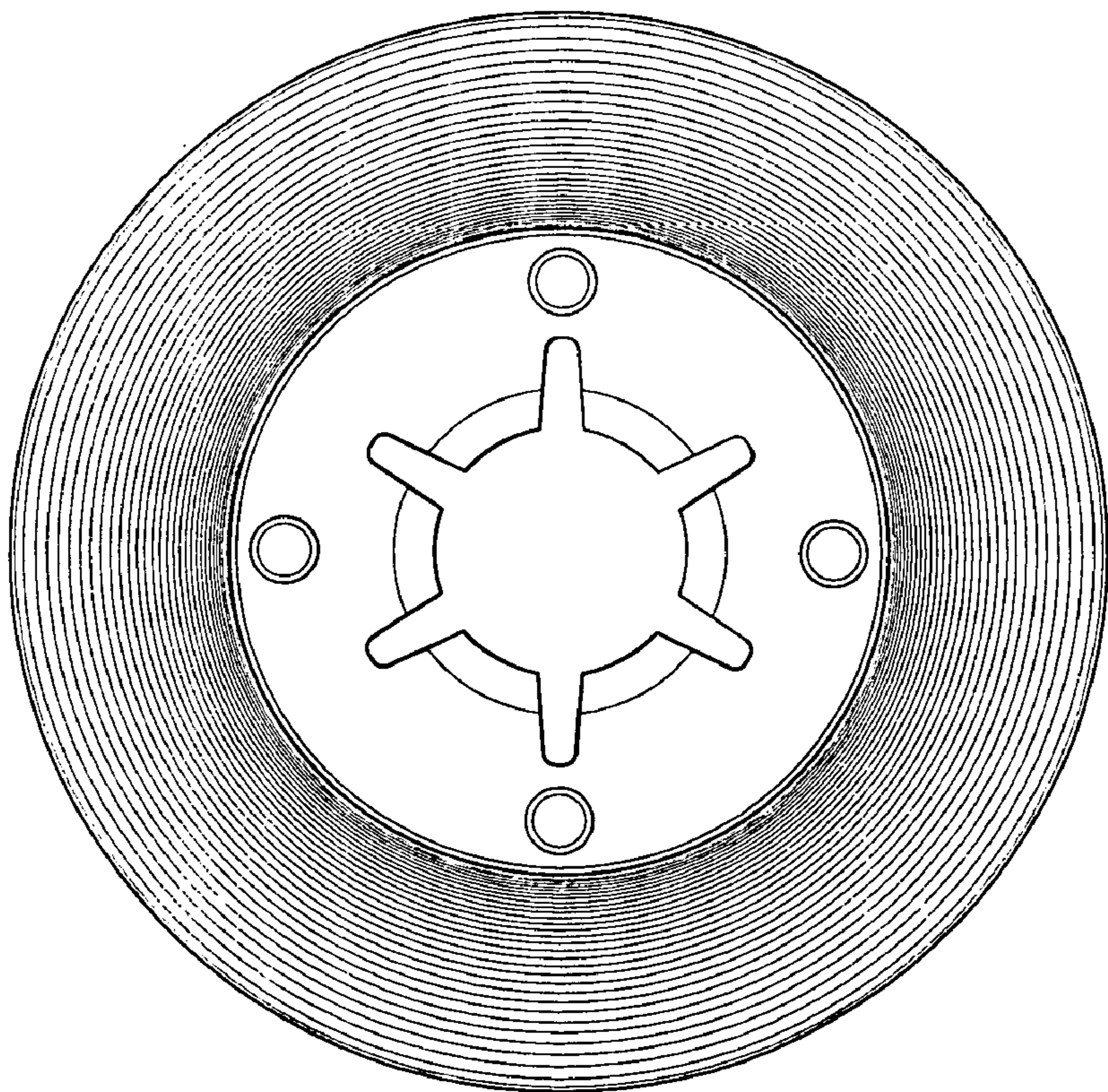
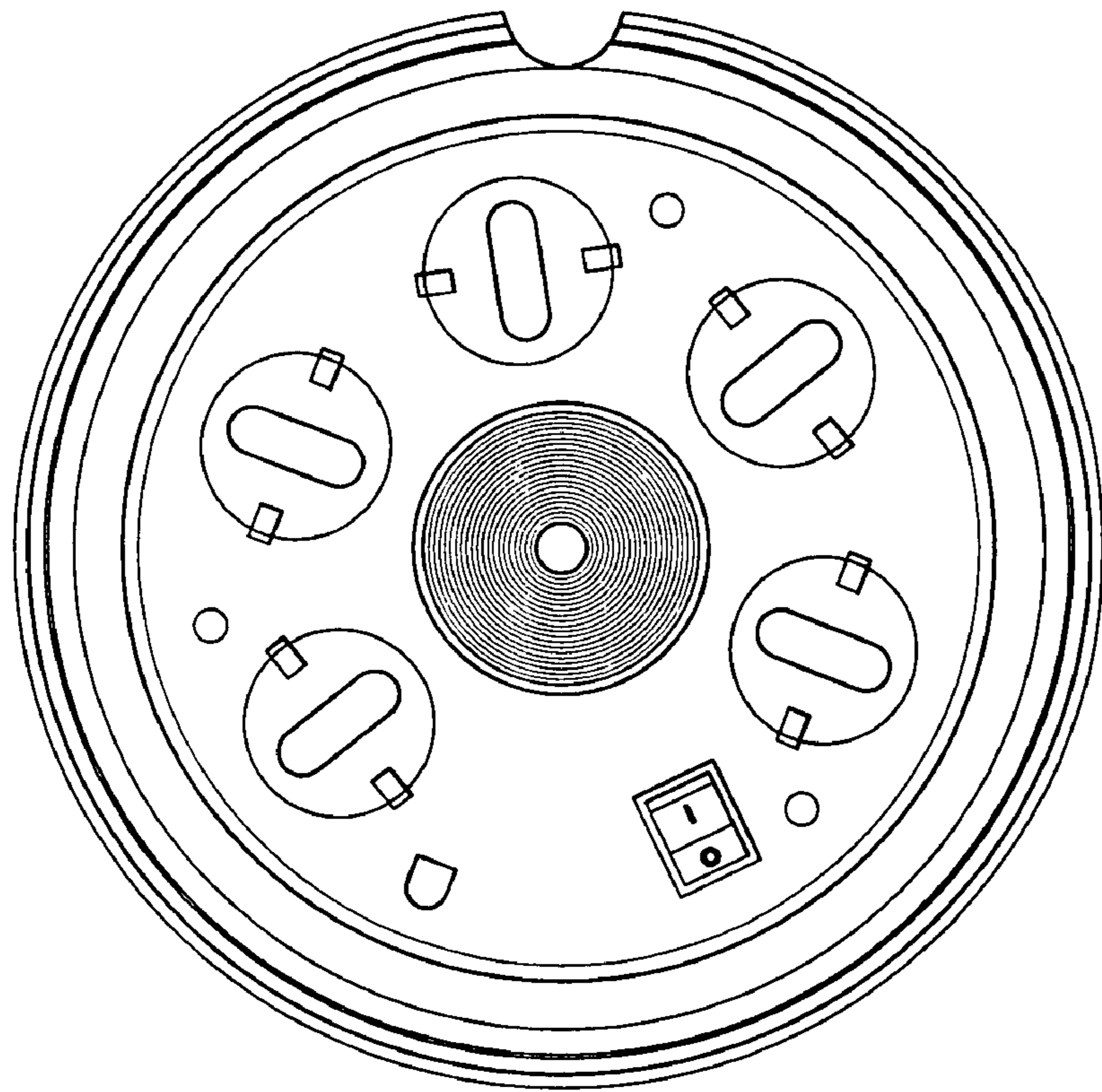


*Fig. 9*

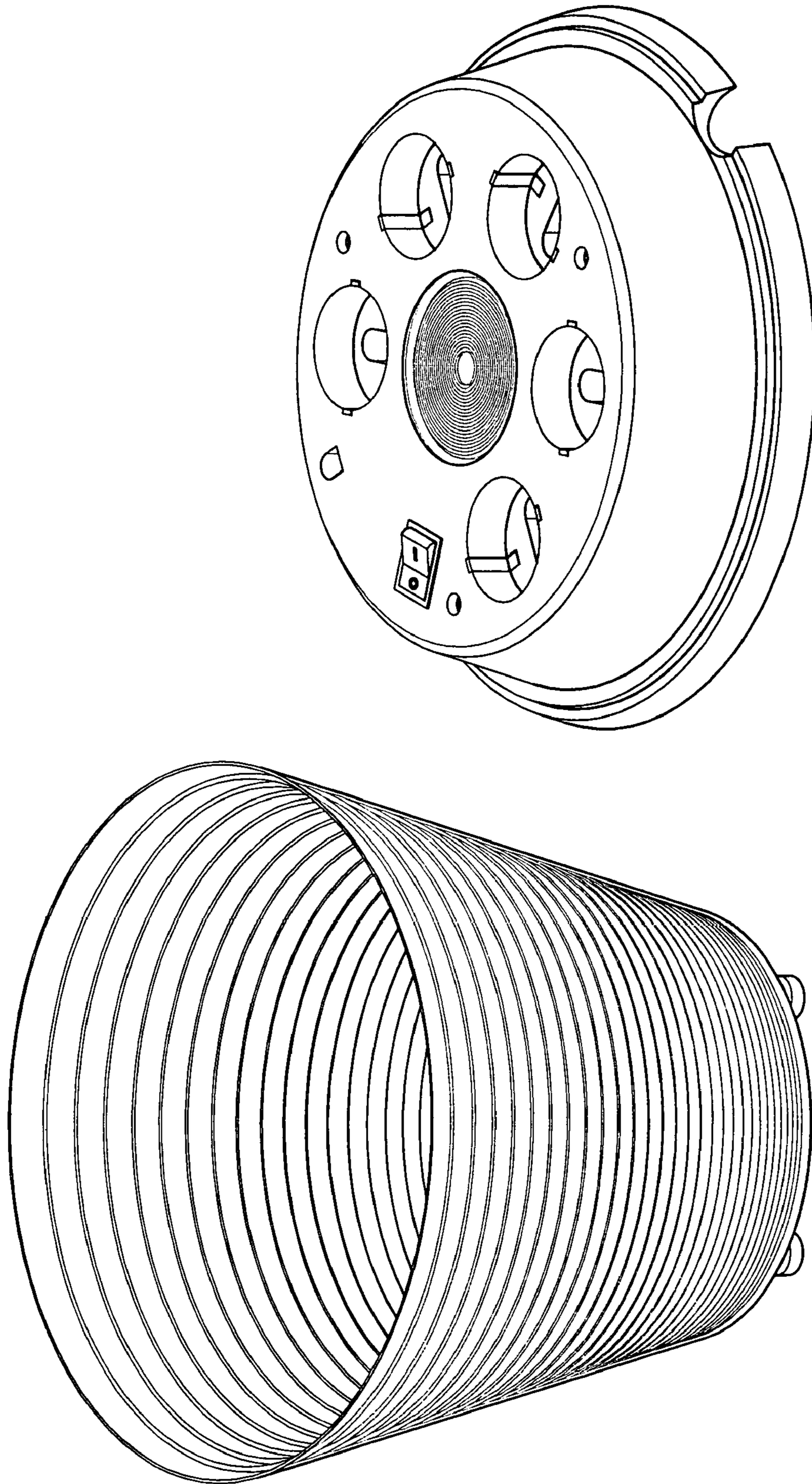


*Fig. 10*



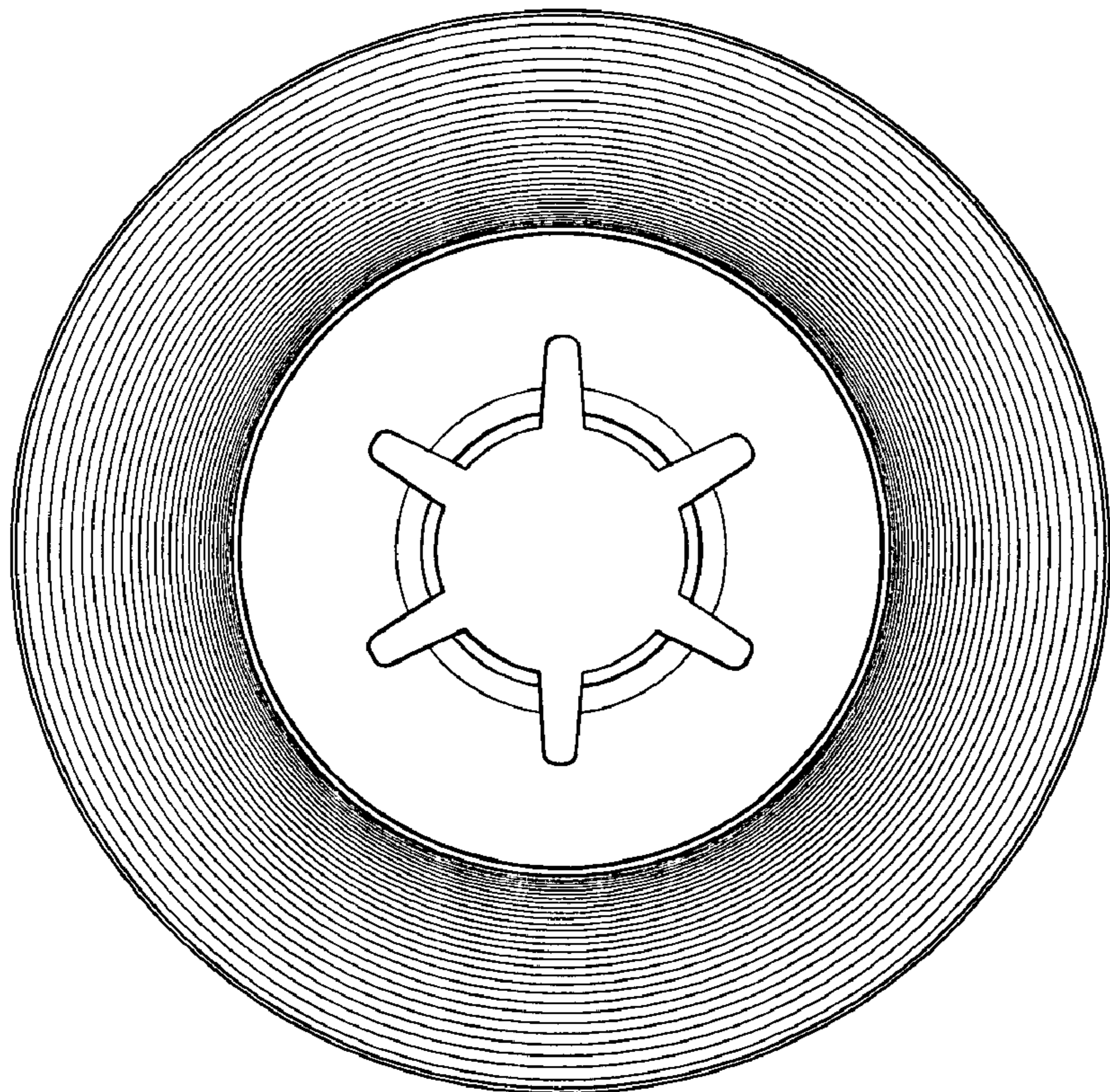
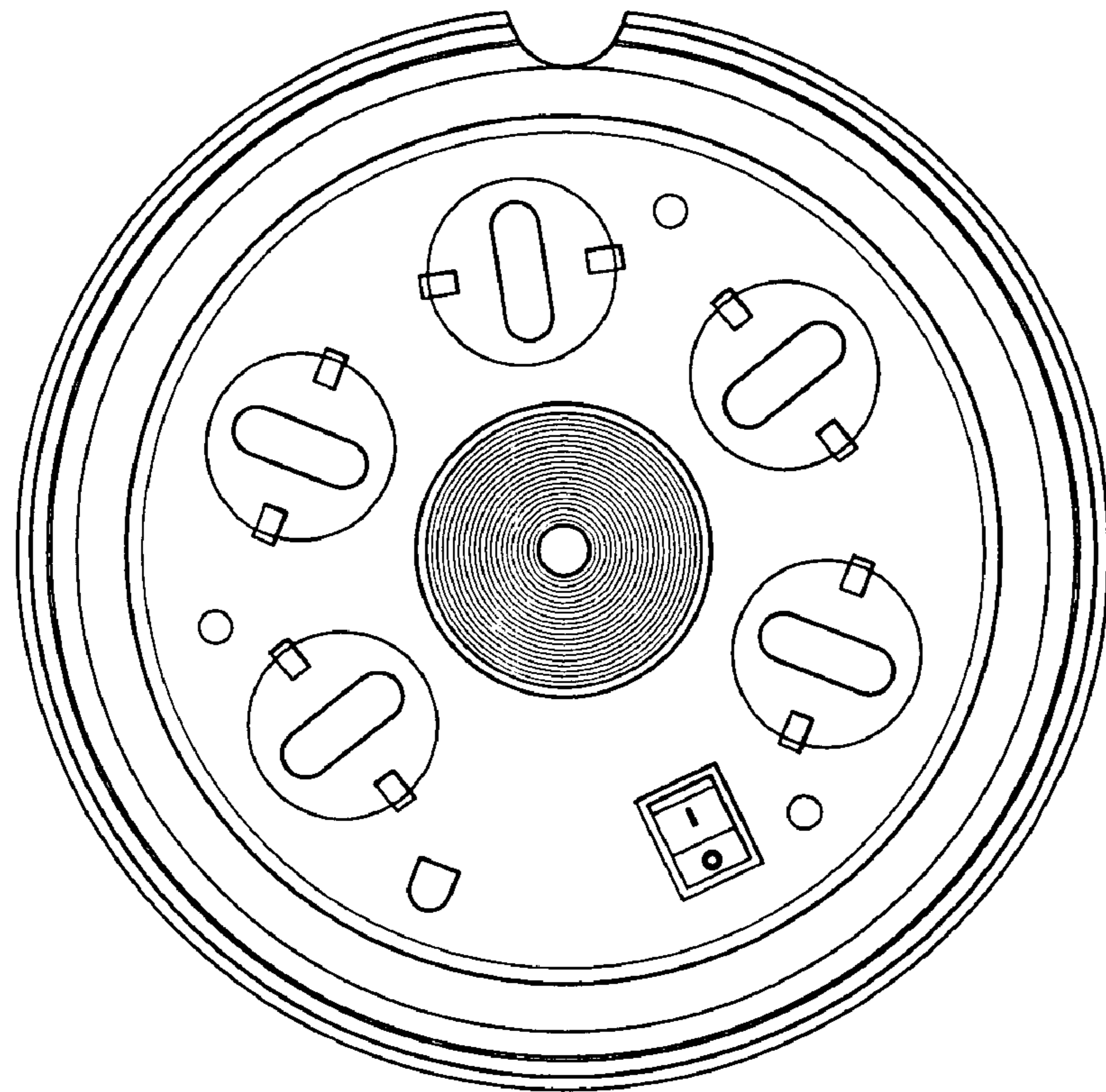


*Fig. 11*



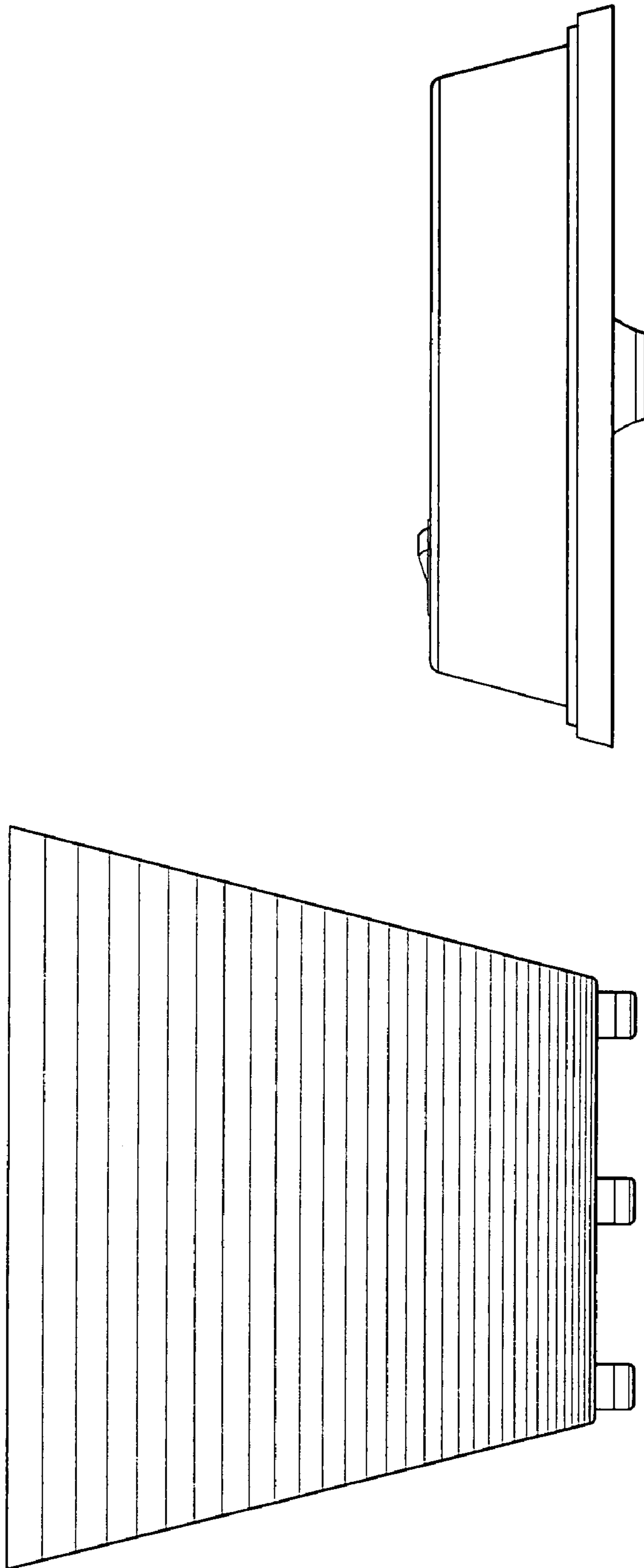
*Fig. 12*



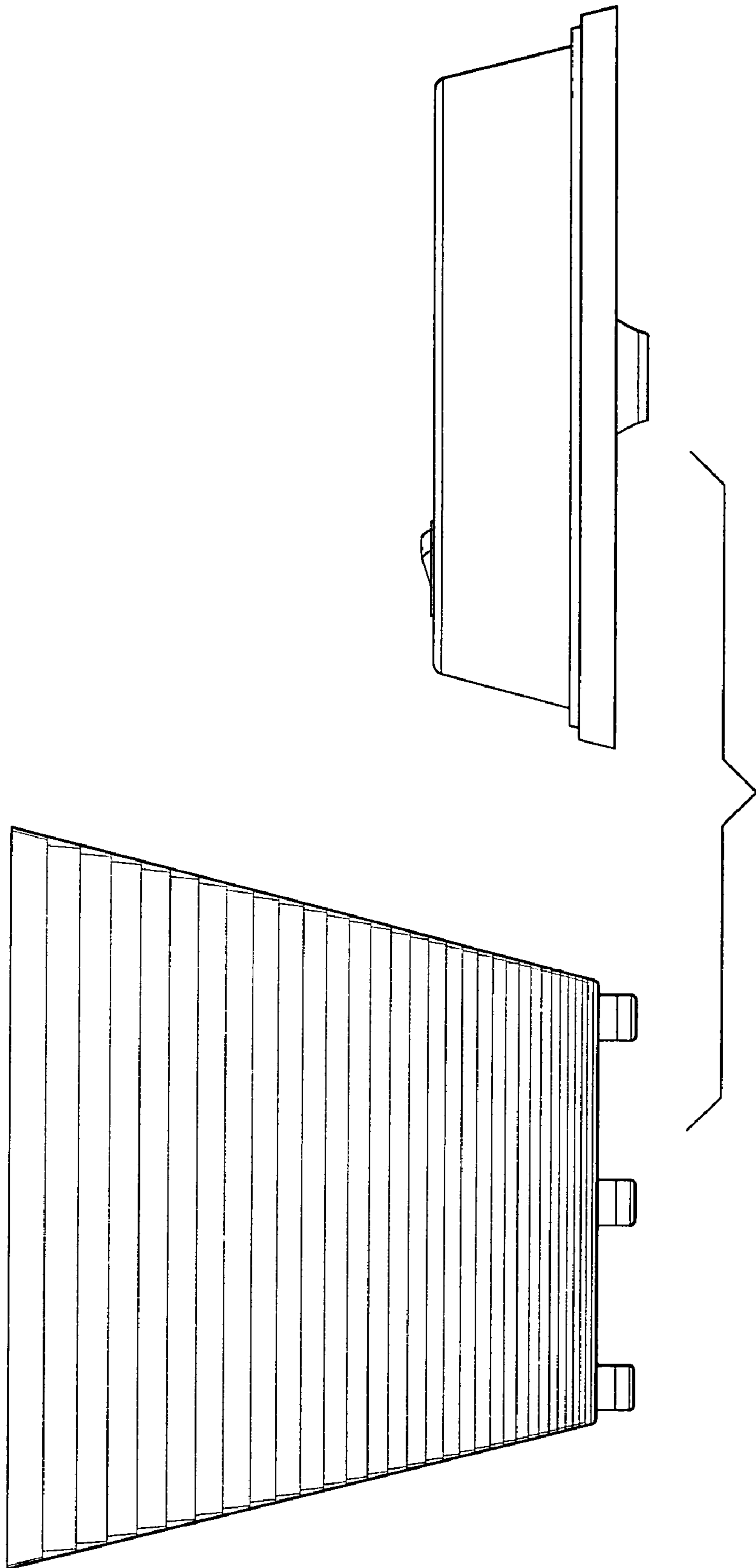


*Fig. 13*

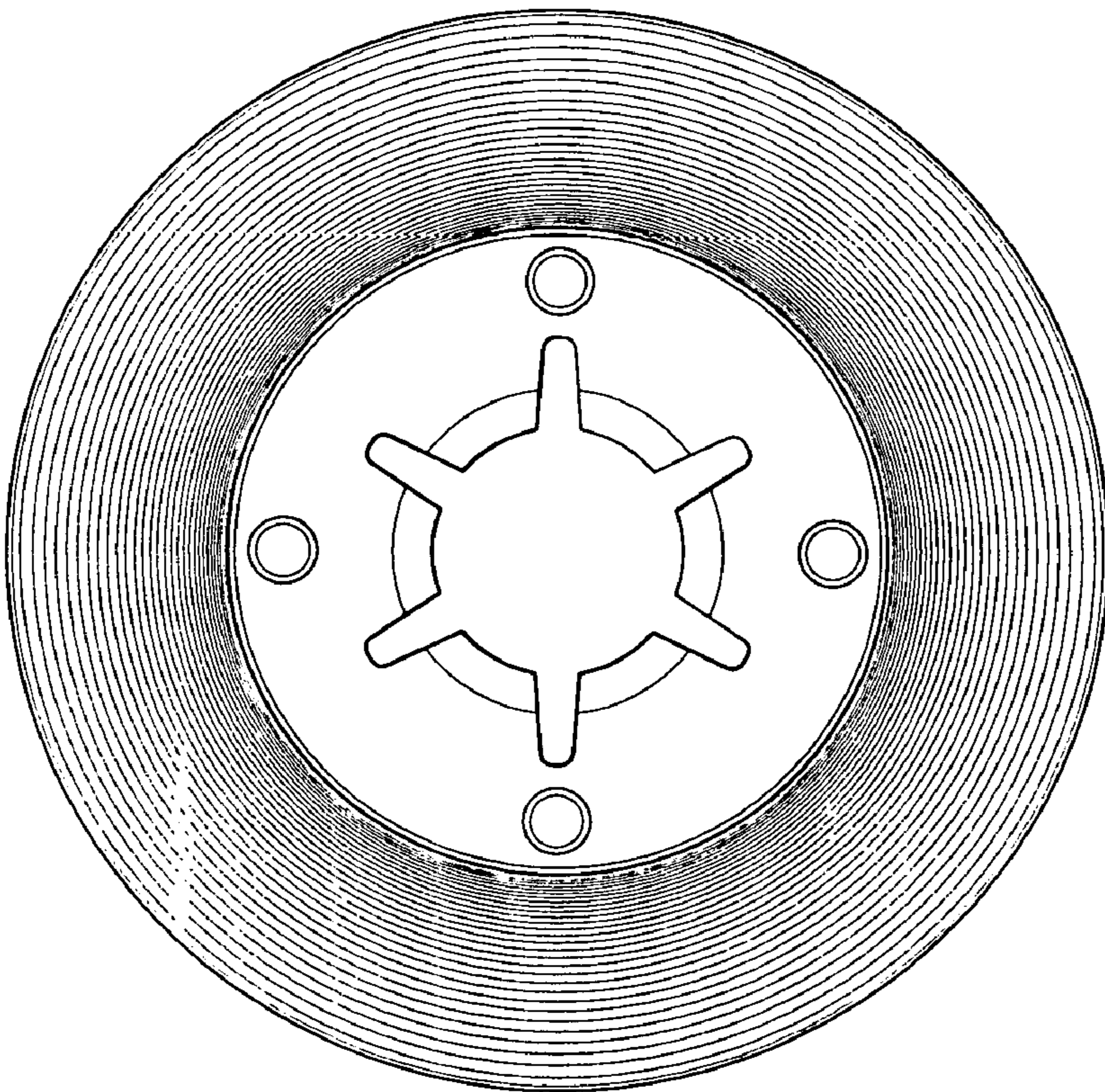
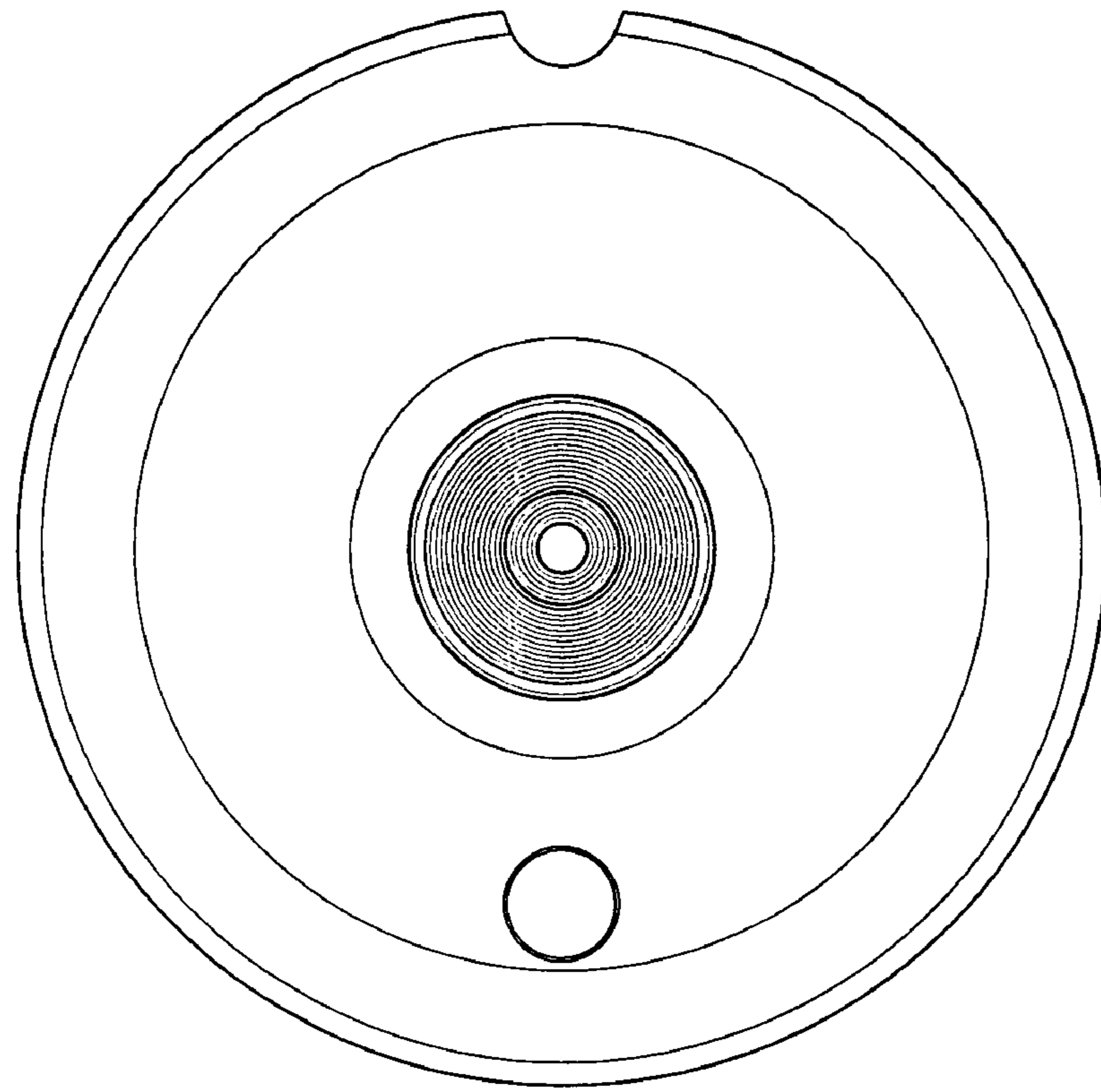




*Fig. 14*



*Fig. 15*



*Fig. 16*