

US00D547484S

(12) **United States Design Patent**
Guercio

(10) **Patent No.:** **US D547,484 S**

(45) **Date of Patent:** **** Jul. 24, 2007**

(54) **LIGHT FIXTURE**

(75) Inventor: **Vincenzo Guercio**, Wallkill, NY (US)

(73) Assignee: **Rab Lighting, Inc.**, Northvale, NJ (US)

(**) Term: **14 Years**

(21) Appl. No.: **29/253,018**

(22) Filed: **Jan. 30, 2006**

(51) **LOC (8) Cl.** **26-03**

(52) **U.S. Cl.** **D26/89; D26/88**

(58) **Field of Classification Search** D26/59,
D26/85, 88, 89, 91, 128, 130-136; D23/377,
D23/379, 411; 416/5; 362/147, 350, 364,
362/365, 404, 406, 408

See application file for complete search history.

(56) **References Cited**

U.S. PATENT DOCUMENTS

D80,310 S *	1/1930	Yabraus	D26/134
D232,376 S *	8/1974	Halvorson	D26/24
D249,291 S *	9/1978	Pemberton	D26/85
4,449,168 A *	5/1984	Ewing	362/404
D326,728 S *	6/1992	Layne	D26/67

5,662,407 A *	9/1997	Fischer et al.	362/147
D444,903 S *	7/2001	Wang	D26/85
D494,311 S *	8/2004	Burkart et al.	D26/128
2003/0189834 A1 *	10/2003	Hsing	362/363

* cited by examiner

Primary Examiner—Clare E Heflin

(74) *Attorney, Agent, or Firm*—Darby & Darby

(57) **CLAIM**

The ornamental design for a light fixture, as shown and described.

DESCRIPTION

FIG. 1 is a front perspective view of a light fixture;
FIG. 2 is a front view of the light fixture of FIG. 1;
FIG. 3 is a right view of the light fixture of FIG. 1;
FIG. 4 is a back view of the light fixture of FIG. 1;
FIG. 5 is a bottom view of the light fixture of FIG. 1;
FIG. 6 is a top view of the light fixture of FIG. 1; and,
FIG. 7 is a left view of the light fixture of FIG. 1.

1 Claim, 7 Drawing Sheets

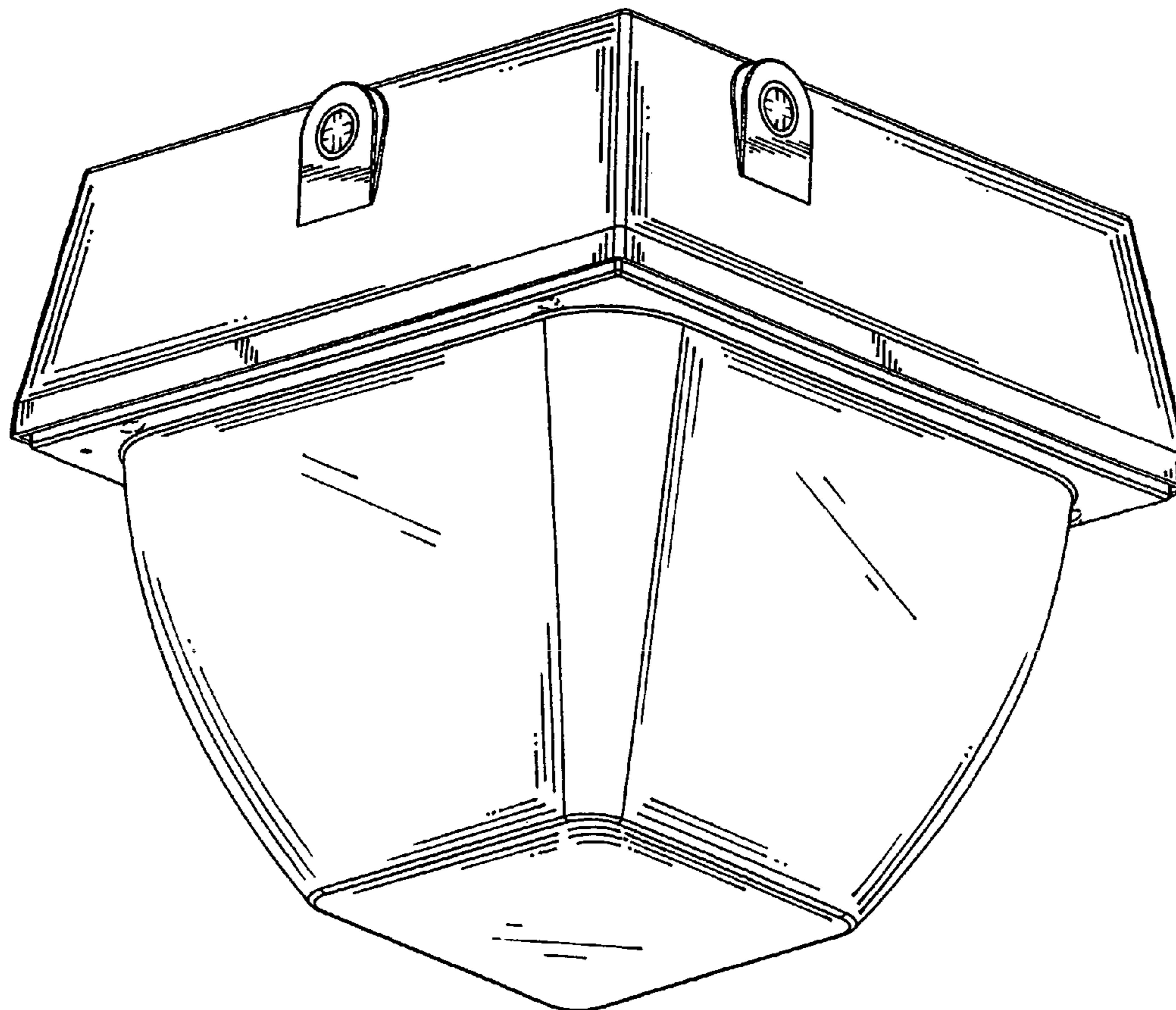


FIG. 1

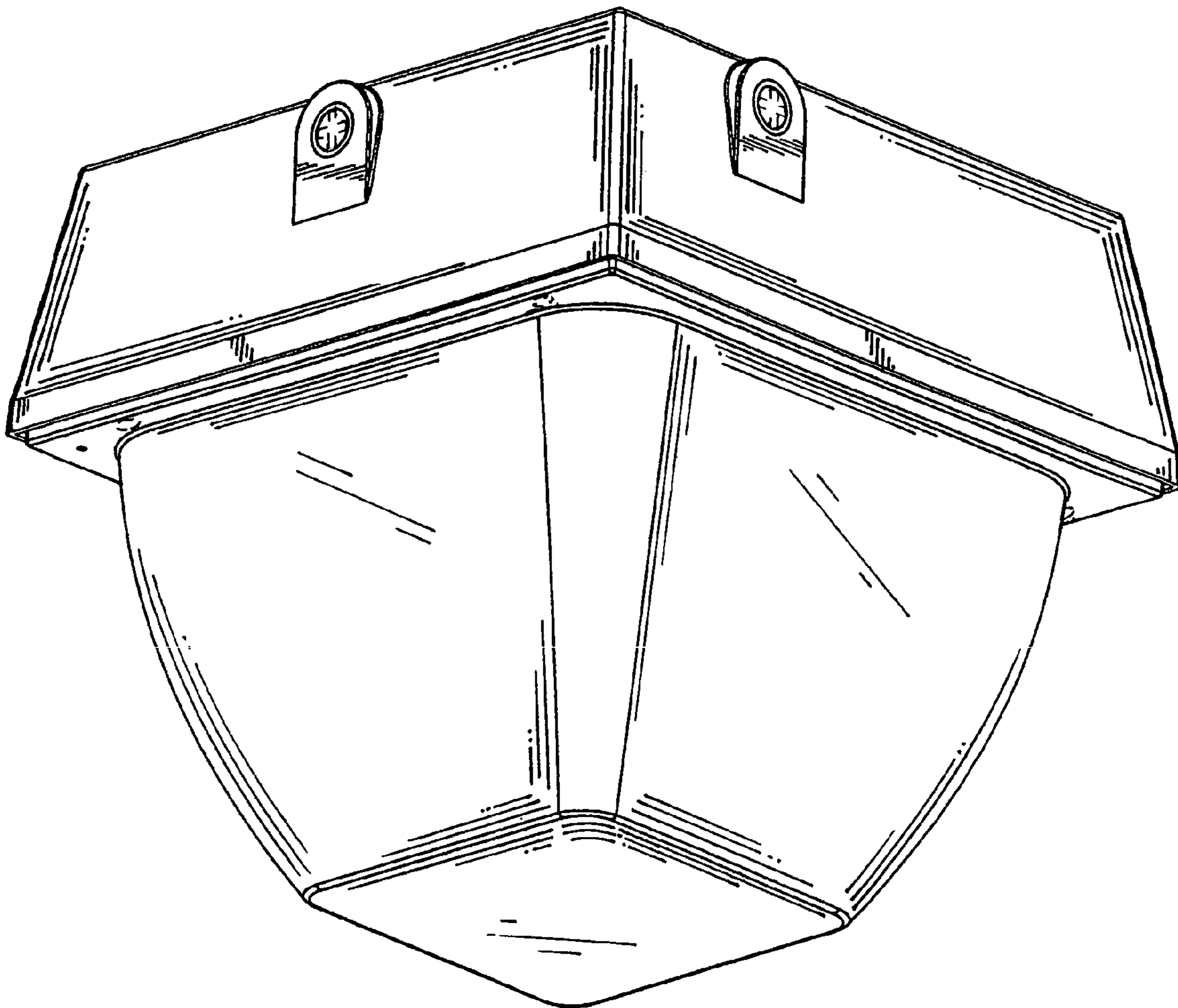


FIG. 2

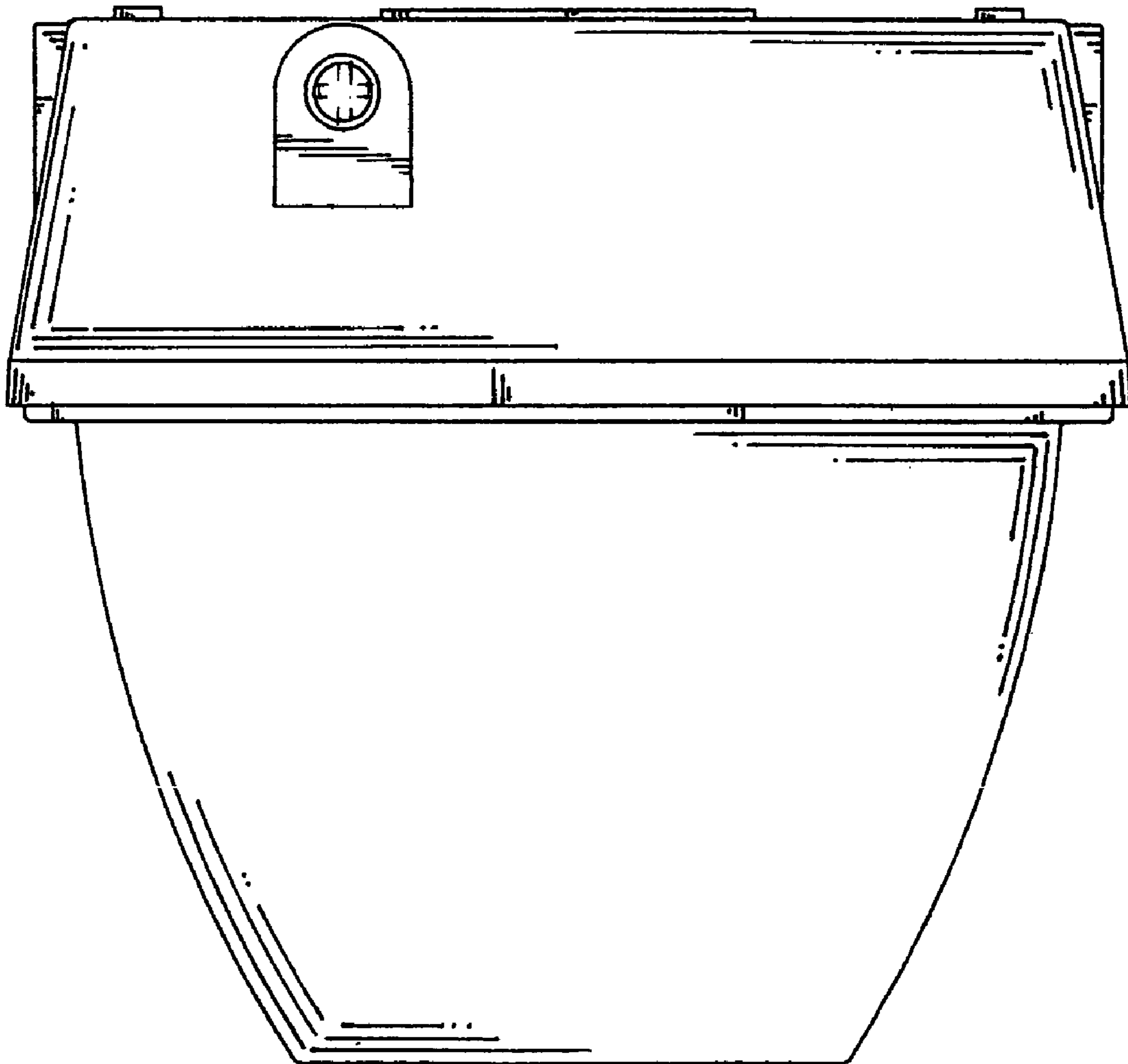


FIG. 3

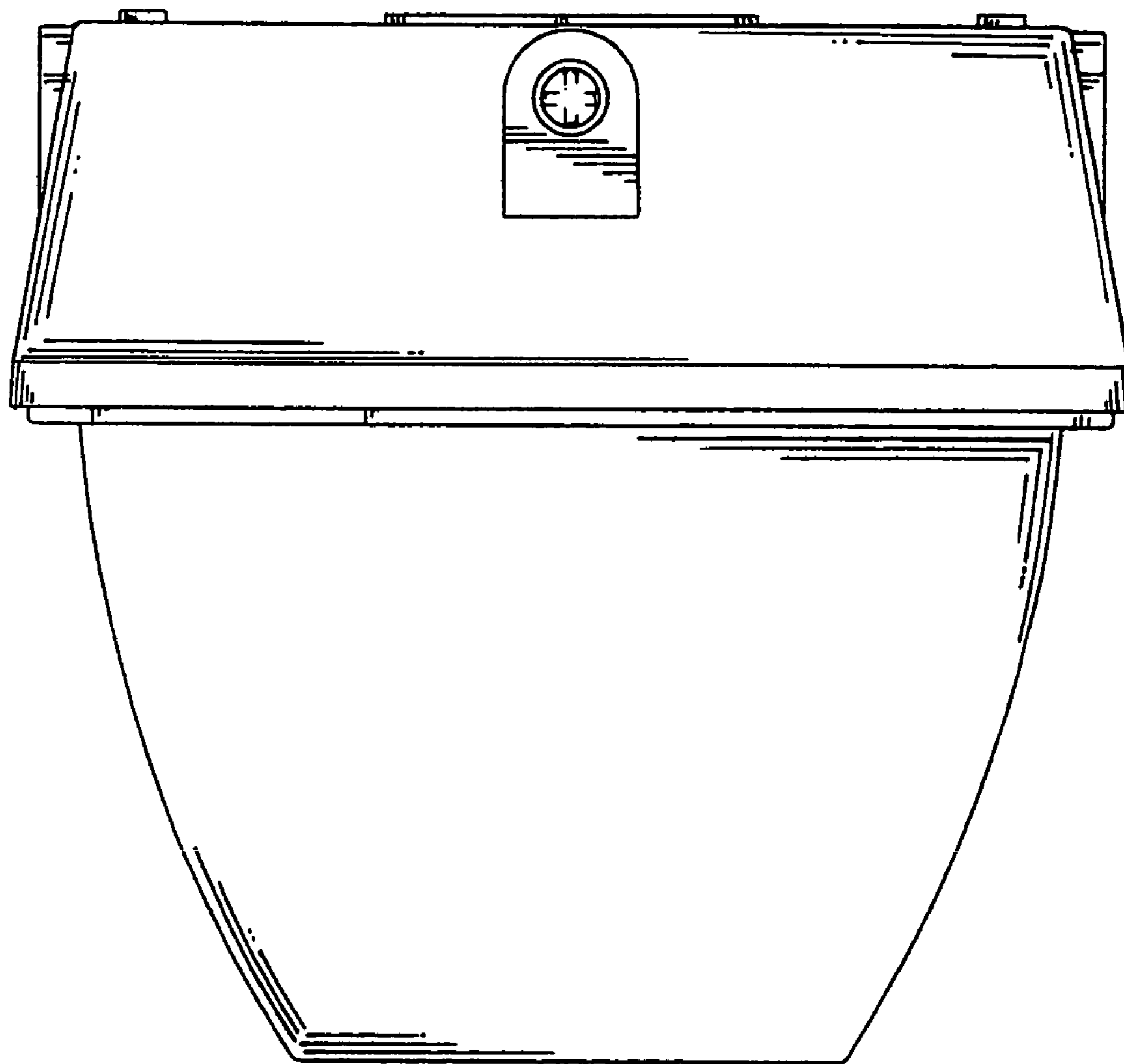


FIG. 4

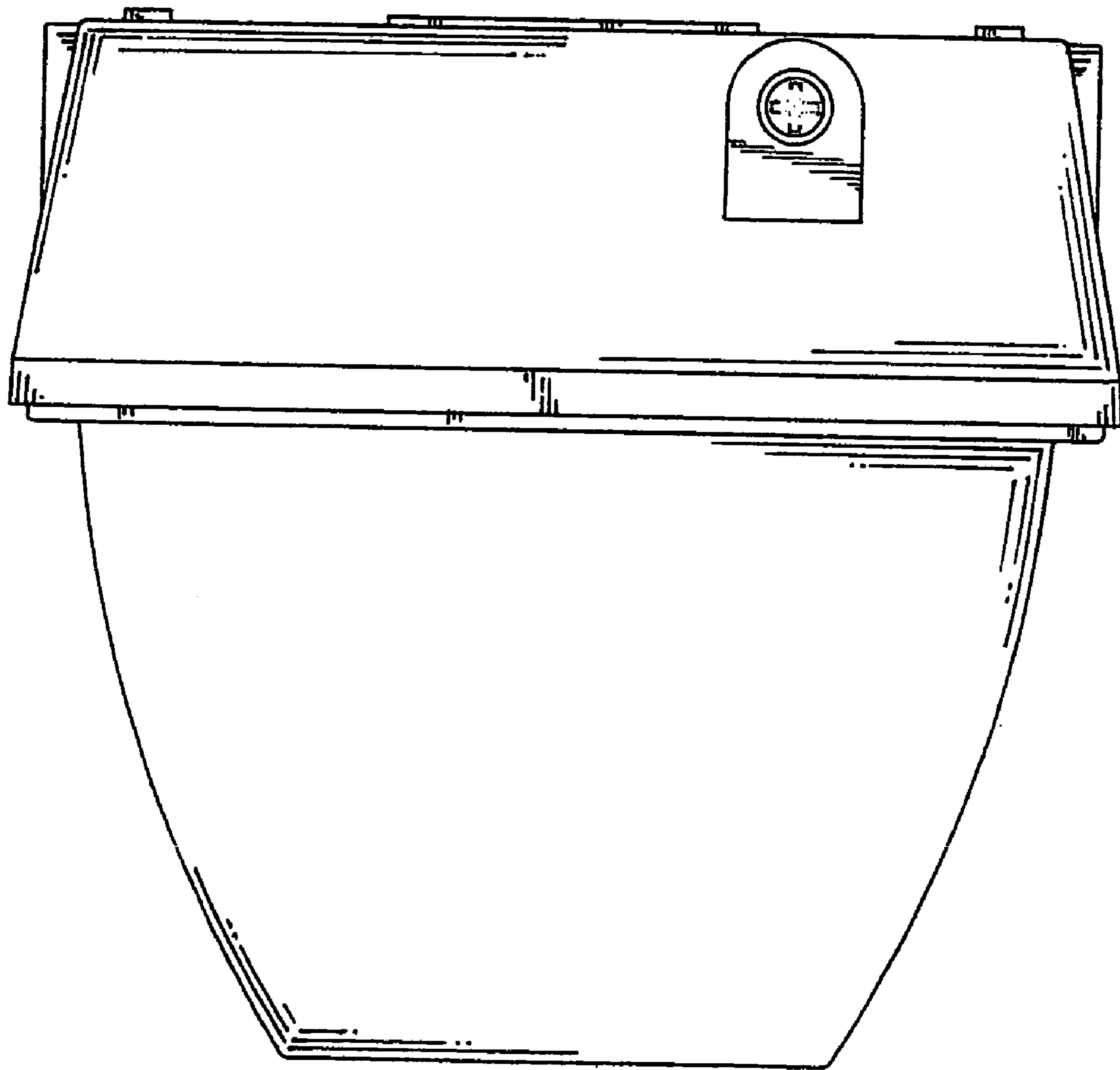


FIG. 5

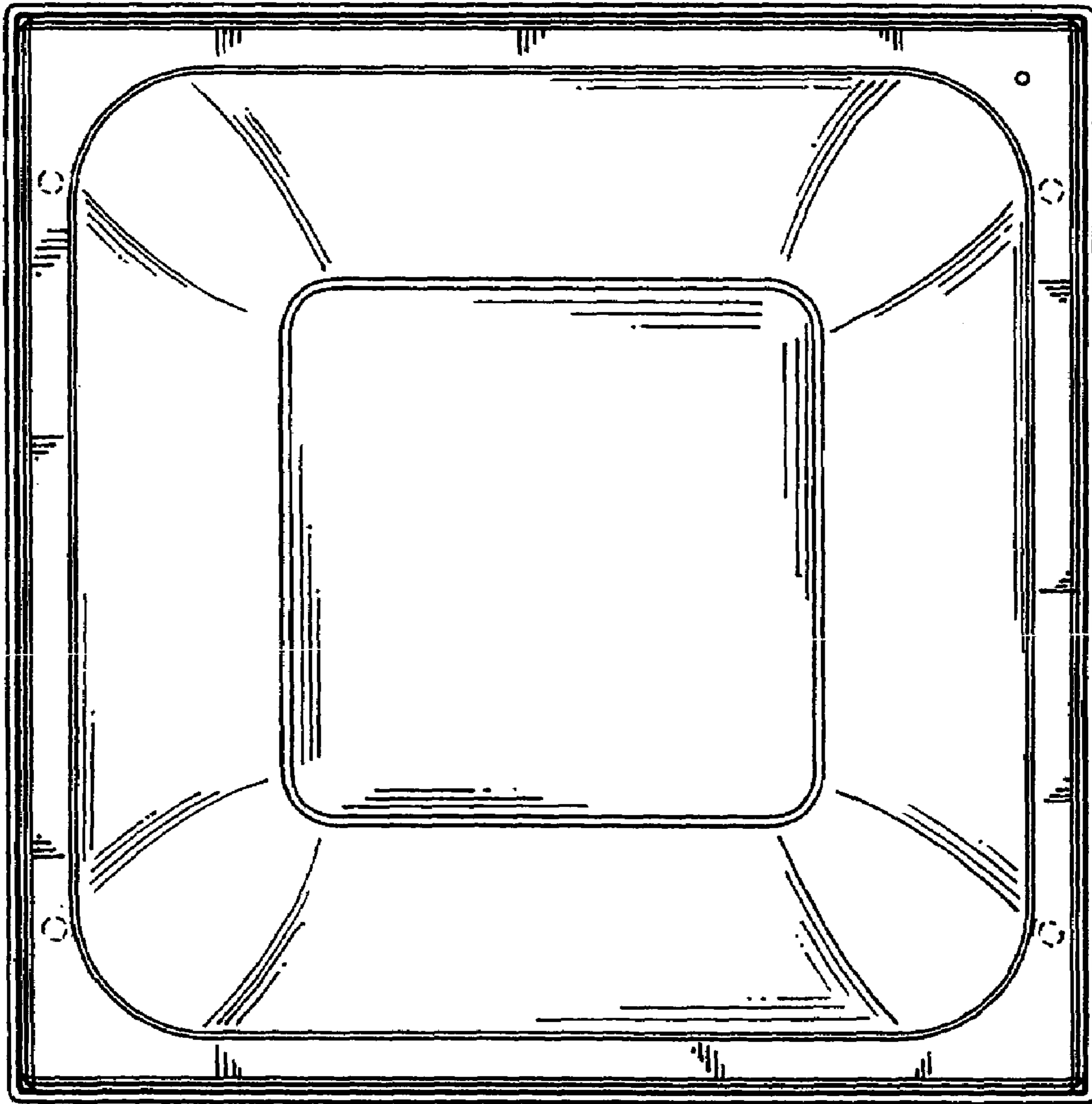


FIG. 6

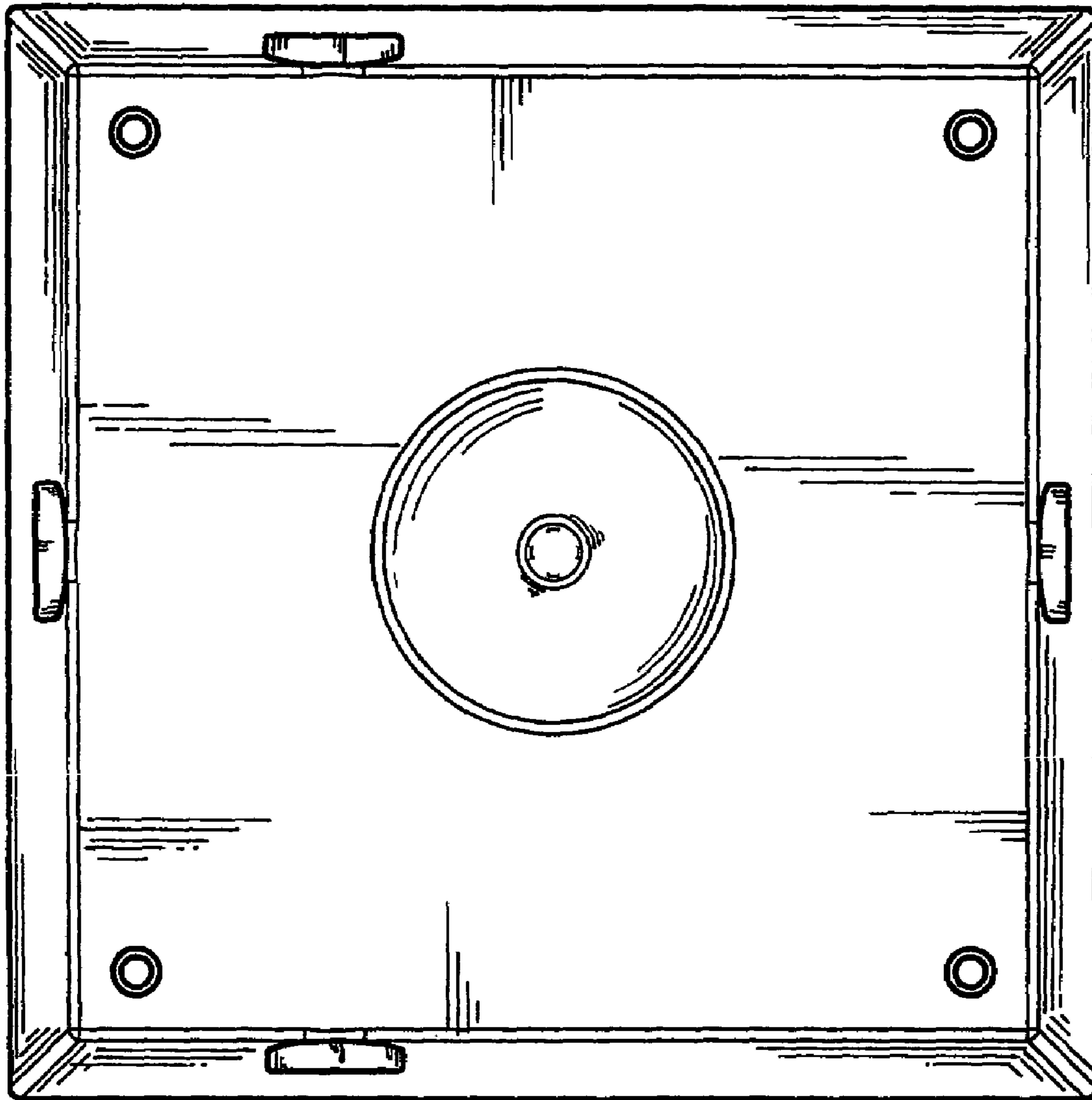


FIG. 7

