

US00D547483S

(12) **United States Design Patent**
Pickett

(10) **Patent No.:** **US D547,483 S**

(45) **Date of Patent:** **** Jul. 24, 2007**

(54) **CEILING FAN LIGHT KIT**

D503,823 S * 4/2005 Yurich D26/89
D527,451 S * 8/2006 Glasbrenner D23/377

(76) Inventor: **Mark Pickett**, 1419 E. Palm St.,
Altadena, CA (US) 91001

* cited by examiner

(**) Term: **14 Years**

Primary Examiner—Clare E Heflin

(21) Appl. No.: **29/250,995**

(74) *Attorney, Agent, or Firm*—Parsons & Goltry; Michael
W. Goltry; Robert A. Parsons

(22) Filed: **Dec. 8, 2006**

(57) **CLAIM**

(51) **LOC (8) Cl.** **26-03**

The ornamental design for a ceiling fan light kit, as shown
and described.

(52) **U.S. Cl.** **D26/89**; D26/59

(58) **Field of Classification Search** D26/59,
D26/85, 88, 89, 91, 128, 130–136; D23/377,
D23/379, 411; 416/5; 362/147, 350, 364,
362/365, 404, 406, 408

DESCRIPTION

See application file for complete search history.

FIG. 1 is a top perspective view of a ceiling fan light kit
showing my new design;

(56) **References Cited**

FIG. 2 is a bottom perspective view thereof;

U.S. PATENT DOCUMENTS

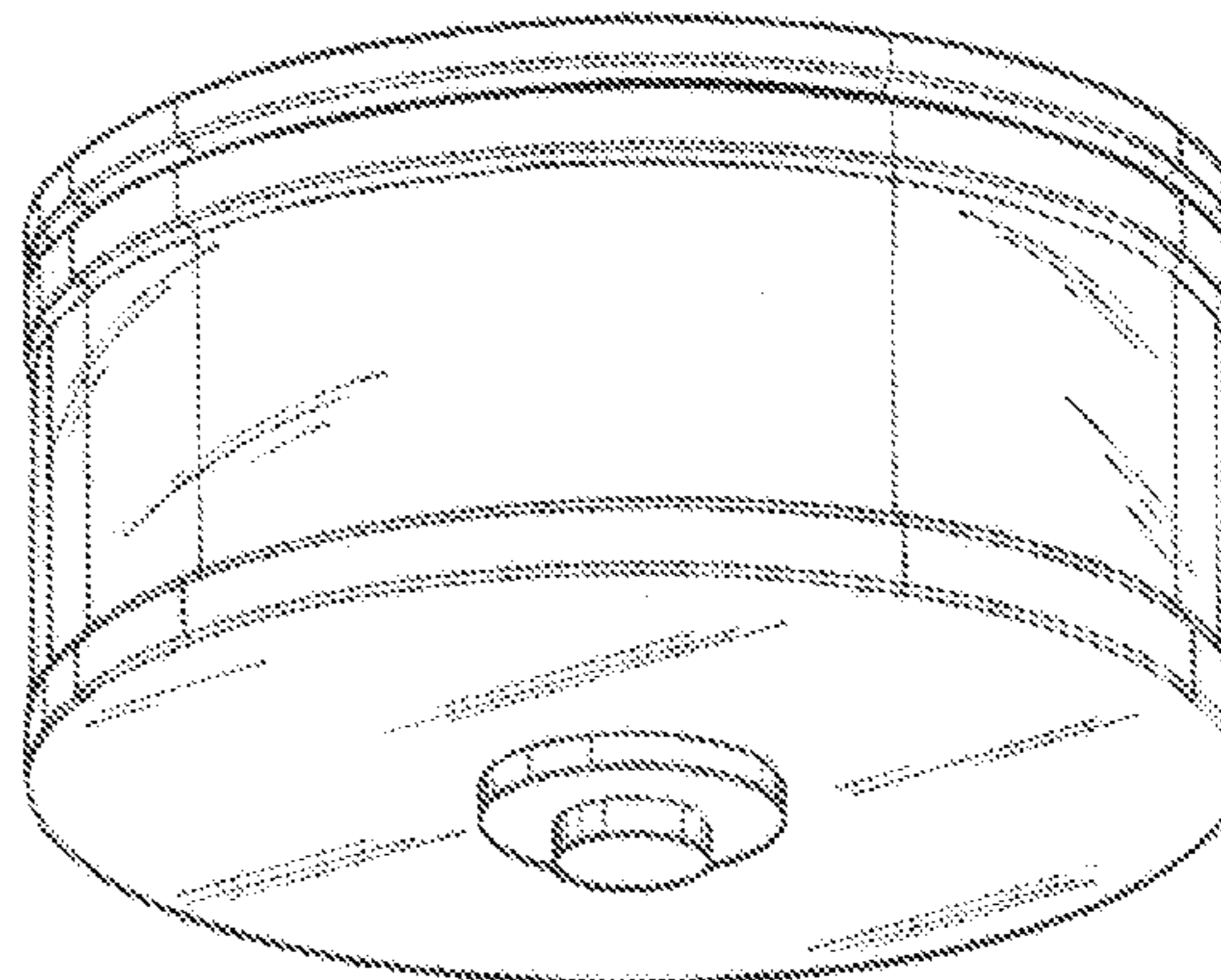
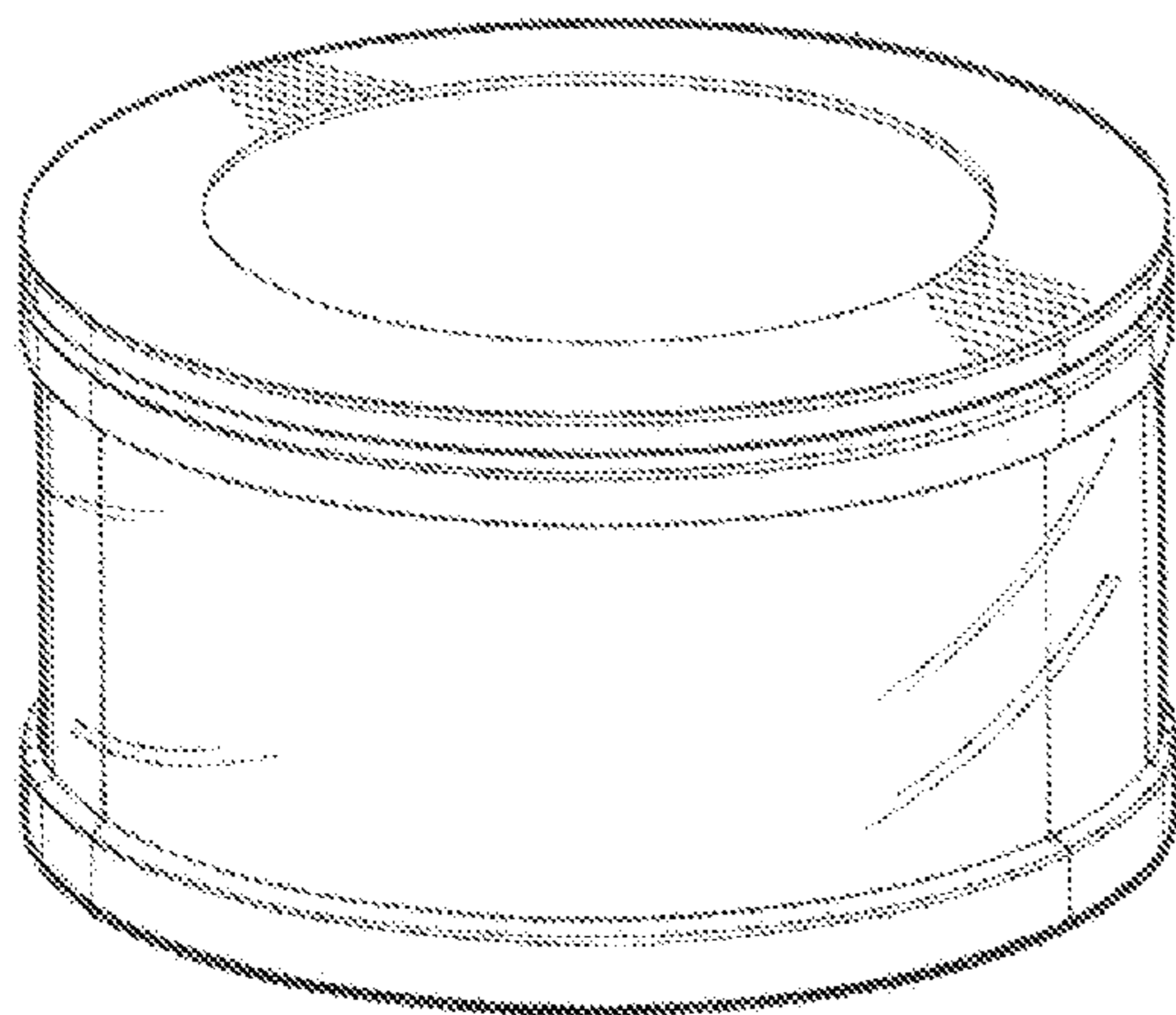
FIG. 3 is front elevational view thereof, the rear elevational
view thereof, the left side elevational view thereof, and the
right side elevational view being substantially the same
thereof;

D66,993 S *	4/1925	Verhunce	D26/132
D97,997 S *	12/1935	Glatthar et al.	D26/88
D129,362 S *	9/1941	Pieper	D26/88
D324,924 S *	3/1992	Bengochea	D26/88
D441,856 S *	5/2001	Wettergren	D23/328
D459,525 S *	6/2002	Barry	D26/88

FIG. 4 is a top plan view thereof; and,

FIG. 5 is a bottom plan view thereof.

1 Claim, 3 Drawing Sheets



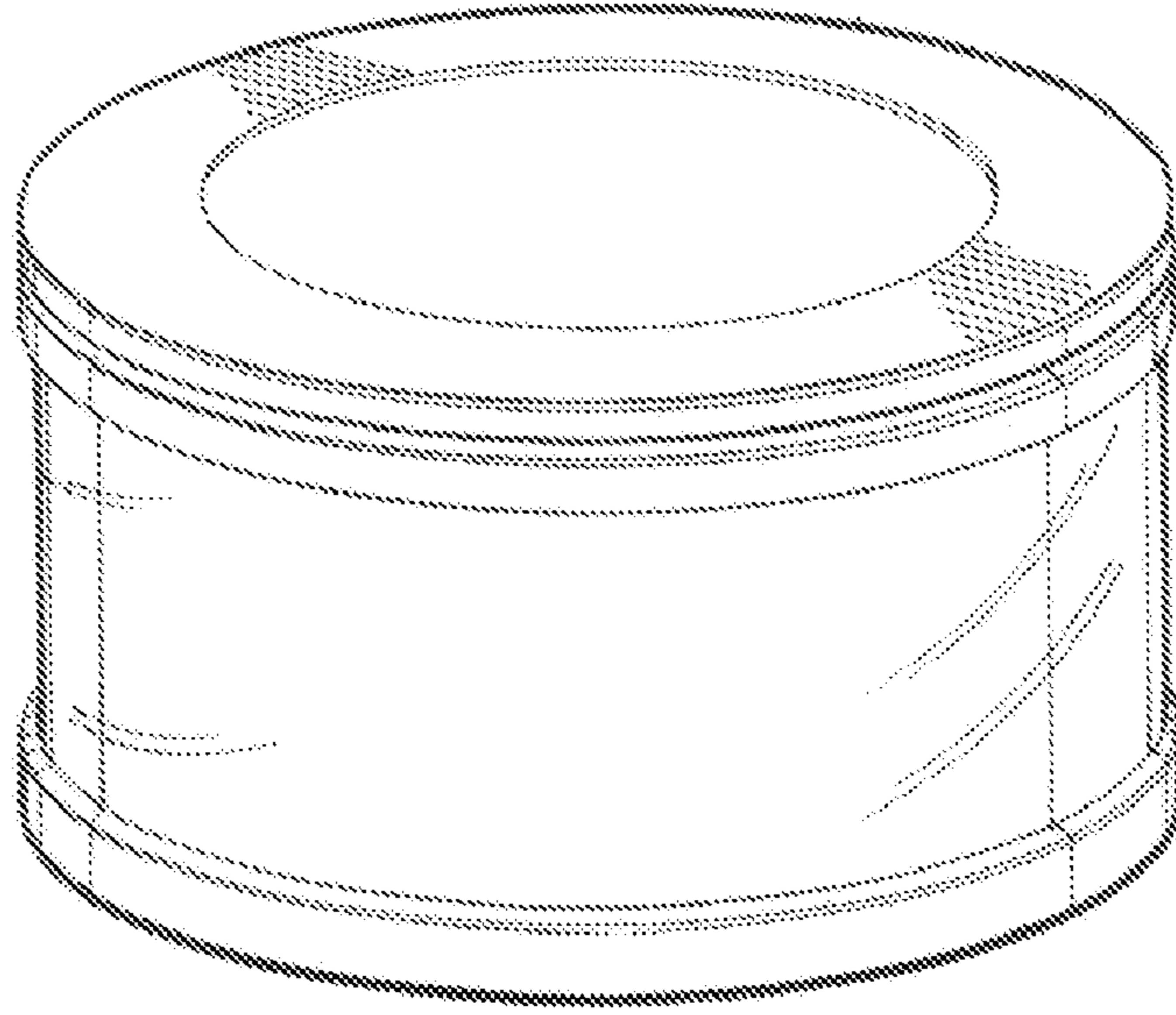


FIGURE 1

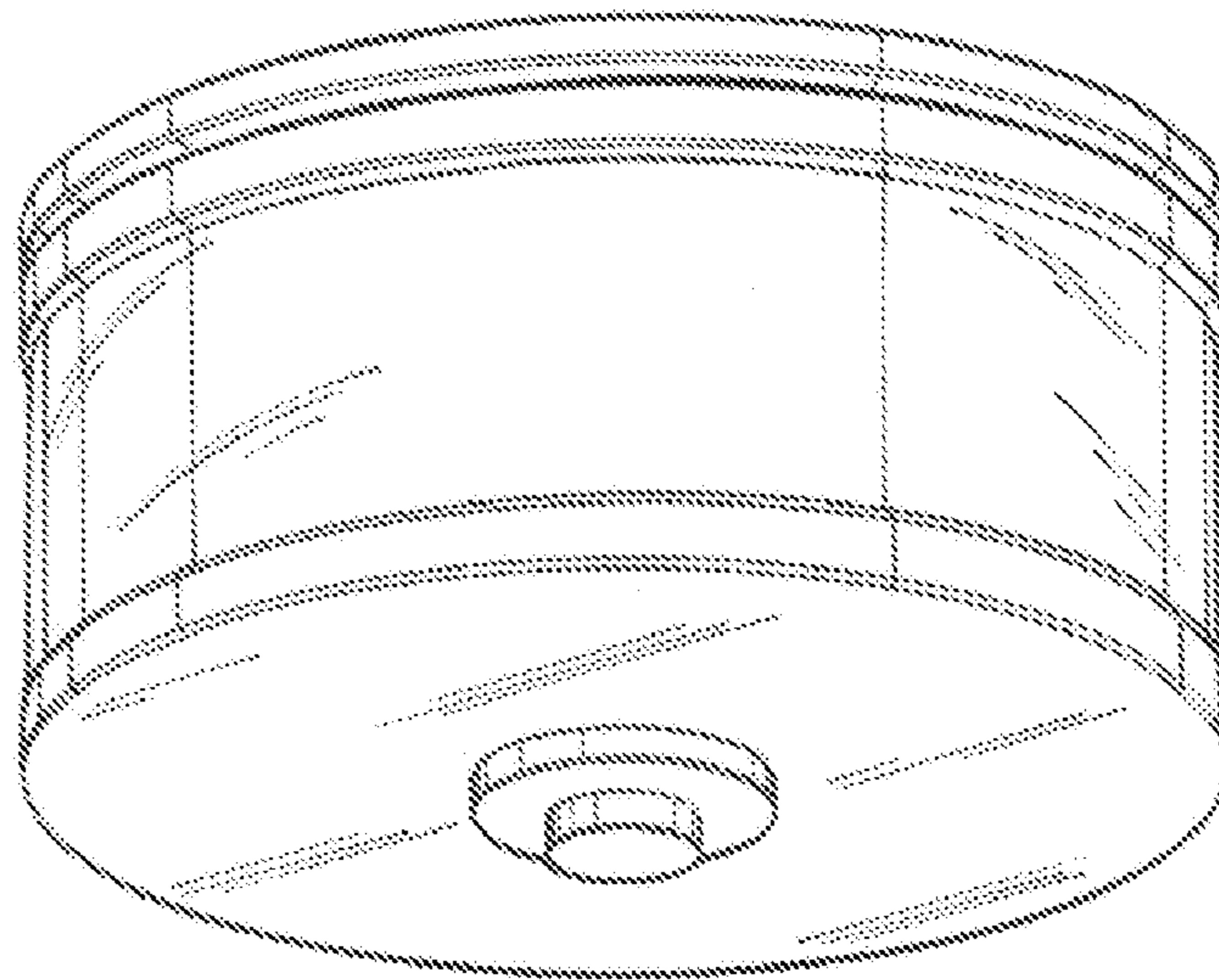


FIGURE 2

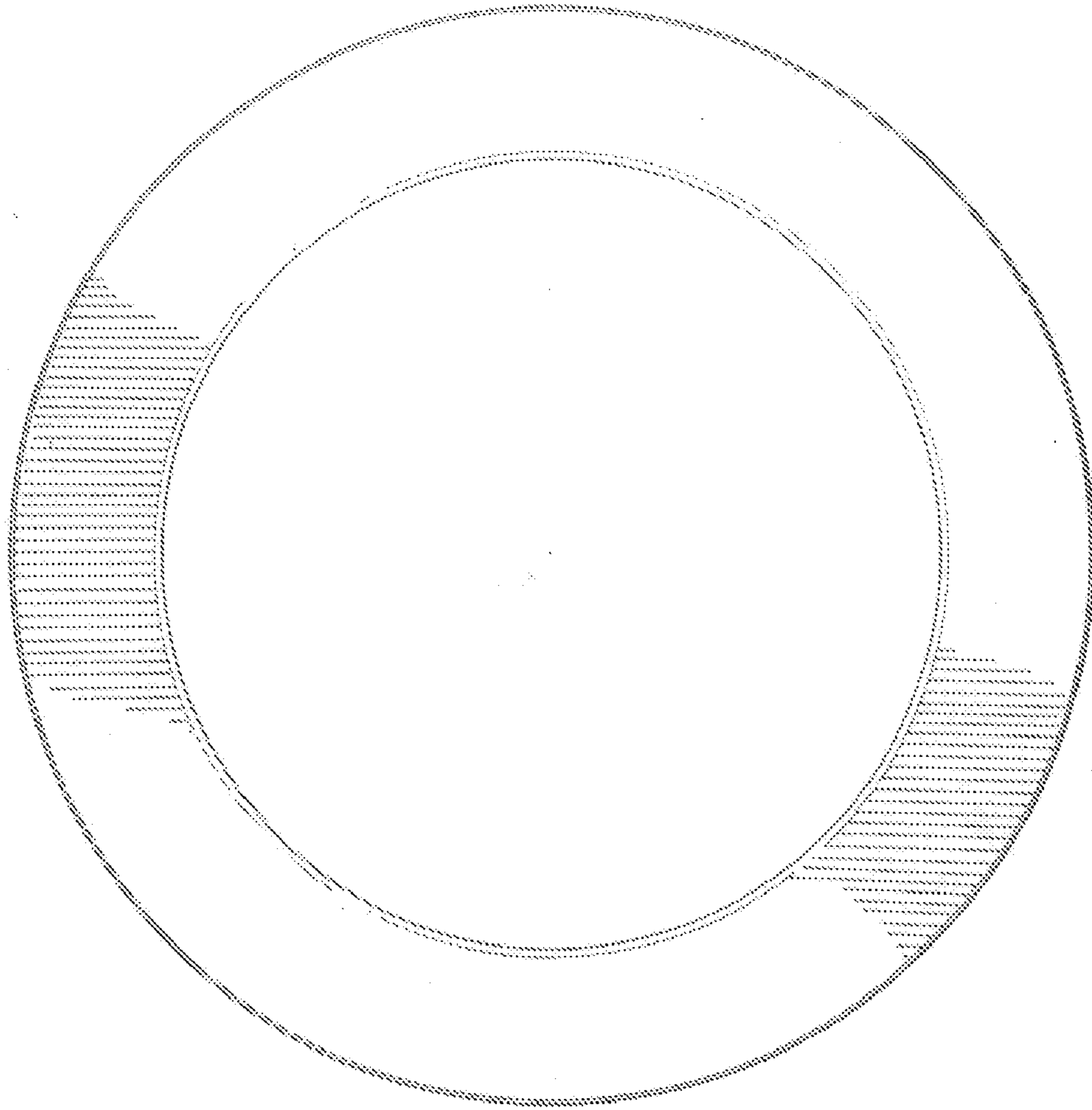


FIGURE 4

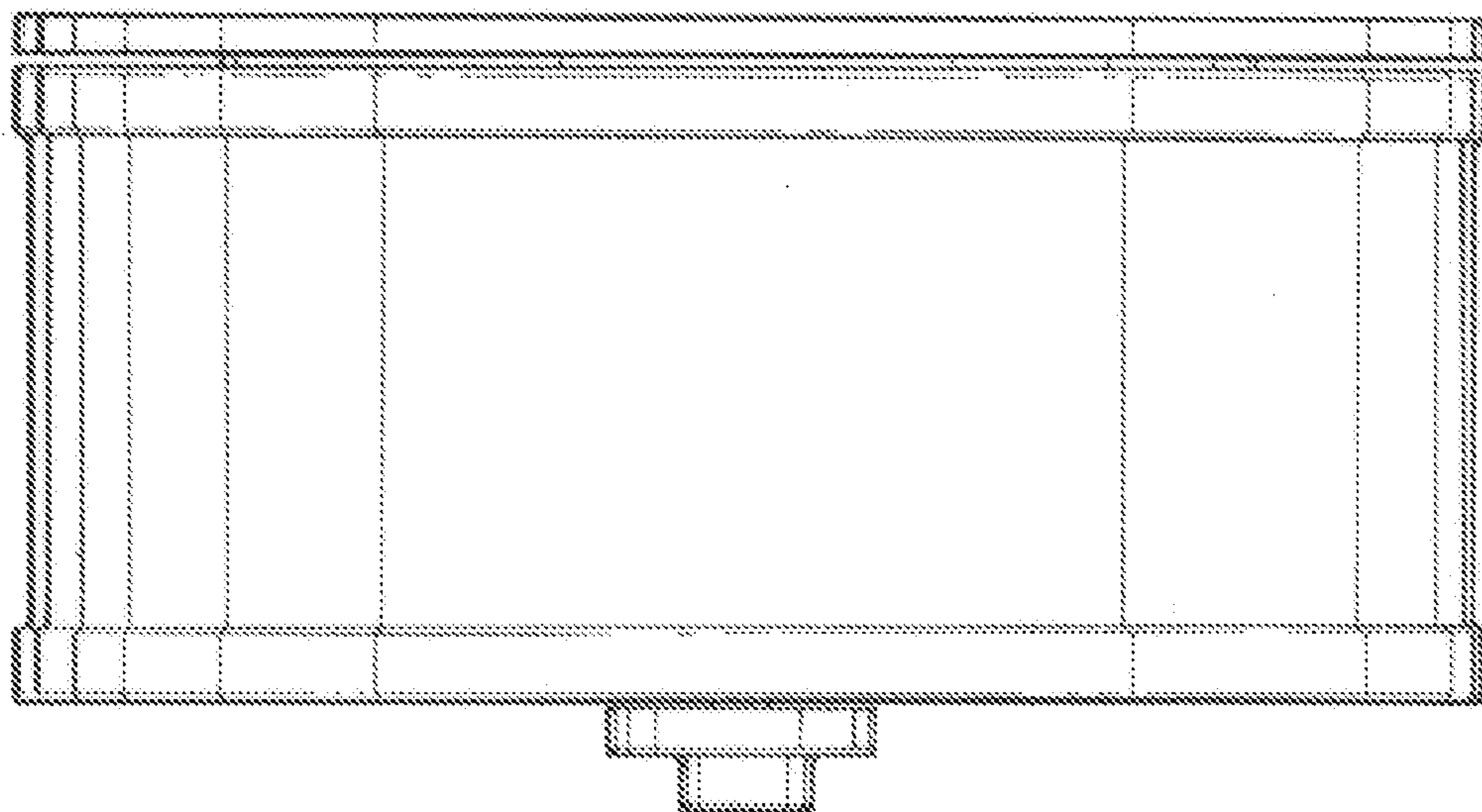


FIGURE 3

FIGURE 5

