

US00D547481S

(12) **United States Design Patent**
Tseng

(10) **Patent No.:** **US D547,481 S**

(45) **Date of Patent:** **** Jul. 24, 2007**

(54) **PENDANT**

(75) Inventor: **Heng-Lun Tseng**, Taipei (TW)

(73) Assignee: **L & C Lighting Technology Corp.**,
Taipei (TW)

(**) Term: **14 Years**

(21) Appl. No.: **29/253,254**

(22) Filed: **Feb. 3, 2006**

(51) **LOC (8) Cl.** **26-03**

(52) **U.S. Cl.** **D26/76; D26/75; D26/78**

(58) **Field of Classification Search** **D26/72,**
D26/74-79, 86; 362/217-225, 283, 147
See application file for complete search history.

(56) **References Cited**

U.S. PATENT DOCUMENTS

2,350,600	A *	6/1944	Foster	362/225
D147,812	S *	11/1947	Picker	D26/78
2,636,977	A *	4/1953	Foster	362/225
D257,894	S *	1/1981	DiBernardo	D26/75
D306,773	S *	3/1990	Roulstone	D26/78
D447,266	S *	8/2001	Verfuert	D26/76

D463,059	S *	9/2002	Verfuert	D26/78
D487,598	S *	3/2004	Schuetz et al.	D26/76
2006/0158877	A1 *	7/2006	Lanczy	362/217

* cited by examiner

Primary Examiner—Louis S. Zarfes

Assistant Examiner—Susan E Krakower

(74) *Attorney, Agent, or Firm*—Bacon & Thomas, PLLC

(57) **CLAIM**

The ornamental design for a pendant, as shown and described.

DESCRIPTION

FIG. 1 is a perspective view of a pendant showing my new design;

FIG. 2 is a front view thereof;

FIG. 3 is a rear view thereof;

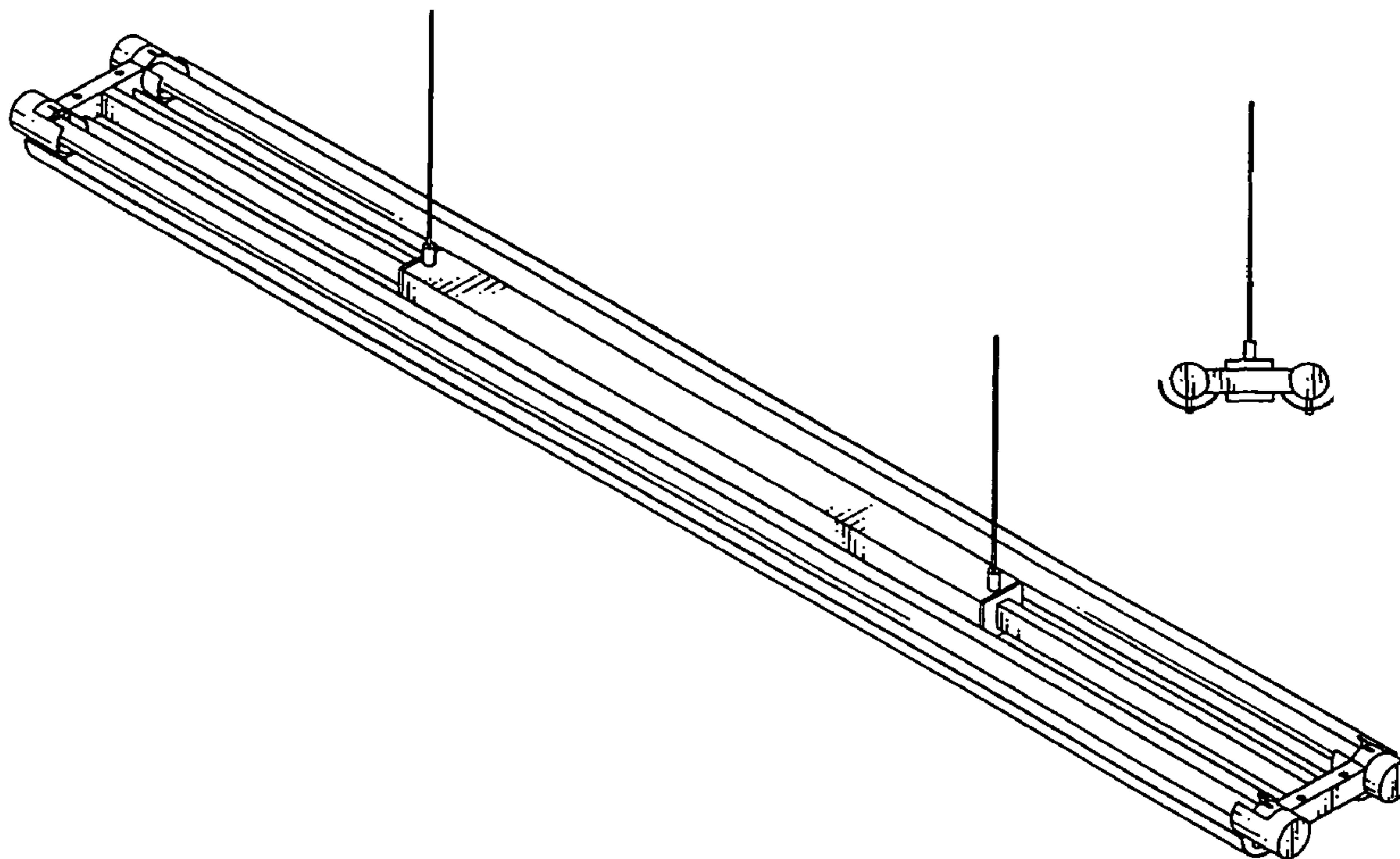
FIG. 4 is a left view thereof;

FIG. 5 is a right view thereof;

FIG. 6 is a top view thereof; and,

FIG. 7 is a bottom view thereof.

1 Claim, 4 Drawing Sheets



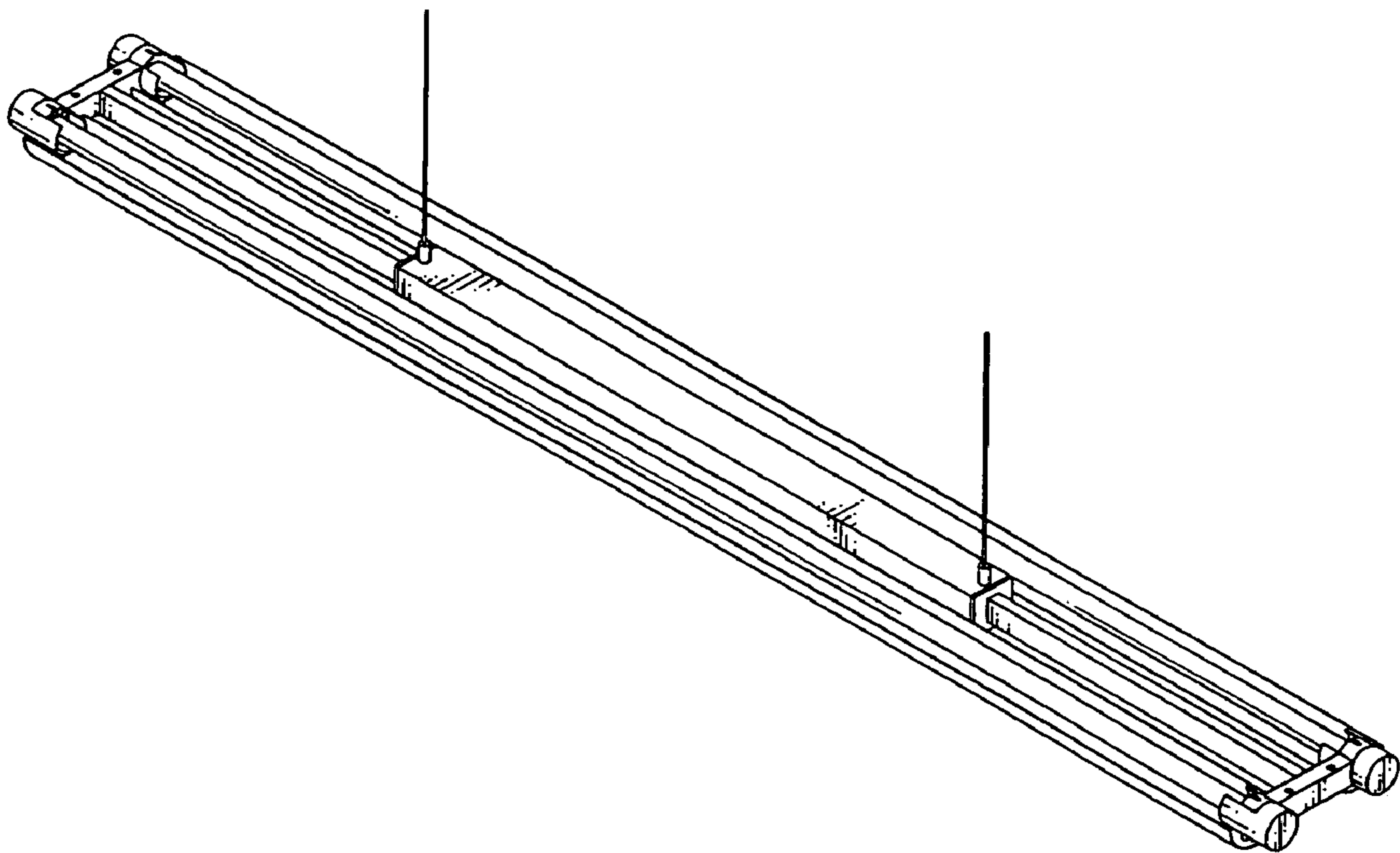


FIG.1



FIG. 2



FIG. 3

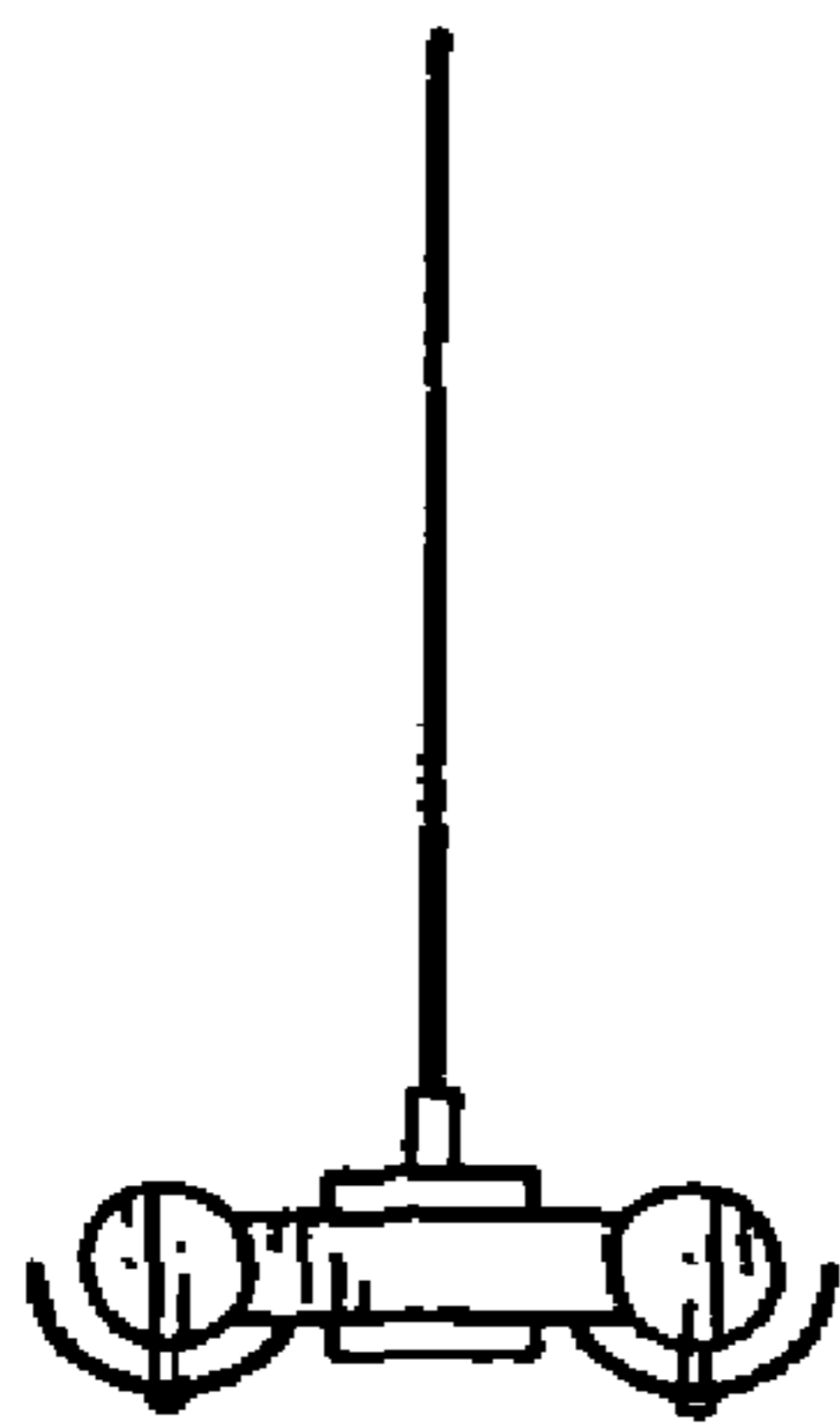


FIG. 4

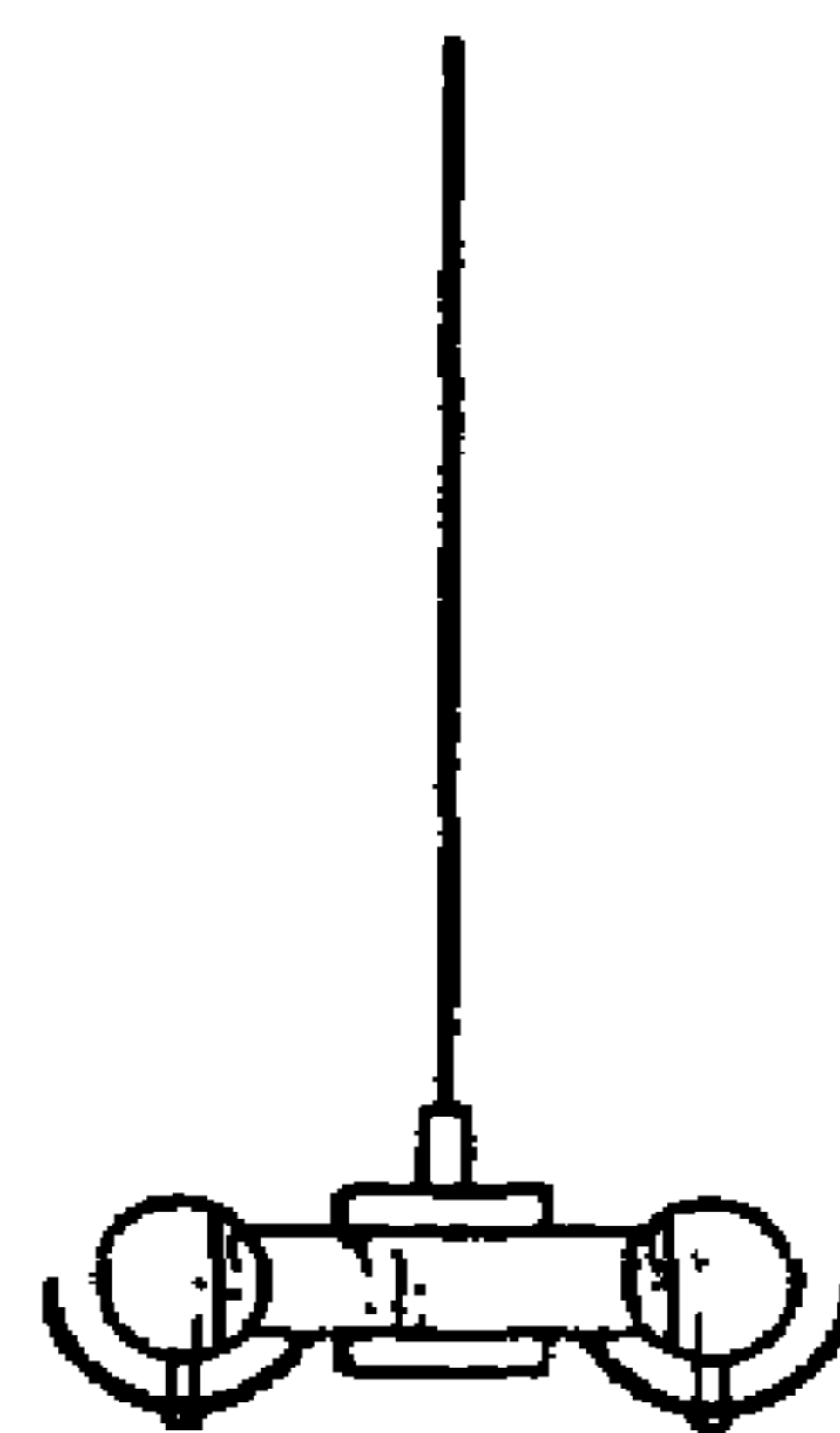


FIG. 5

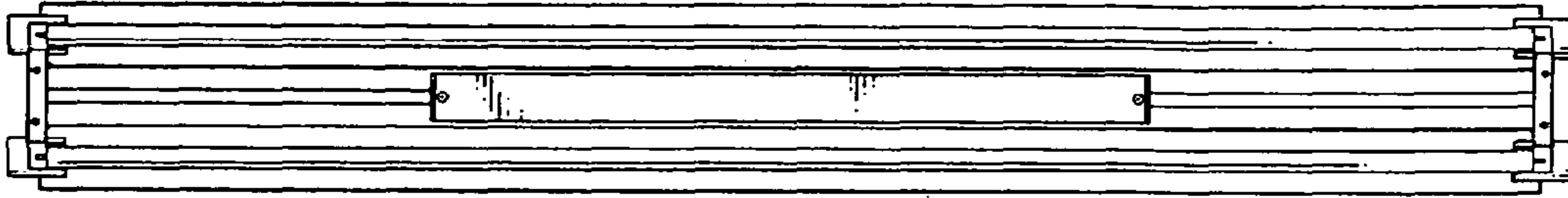


FIG. 6

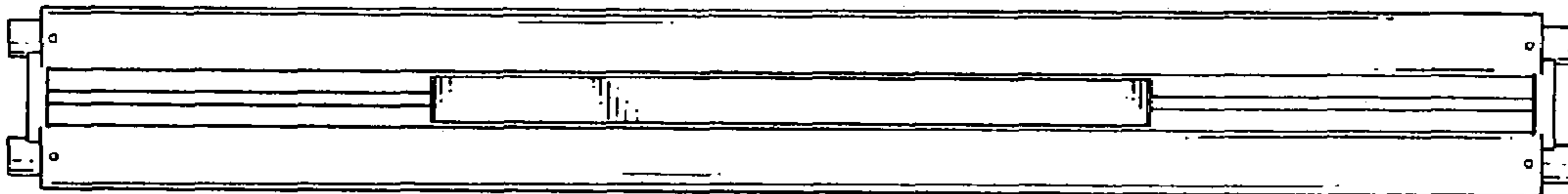


FIG. 7