



US00D547480S

(12) **United States Design Patent**
Crossen

(10) **Patent No.:** **US D547,480 S**

(45) **Date of Patent:** **** Jul. 24, 2007**

(54) **TILE LIGHT**

(76) **Inventor:** **Clinton J. Crossen**, 2271 Edinburg Ave., Cardiff, CA (US) 92007

(**) **Term:** **14 Years**

(21) **Appl. No.:** **29/256,639**

(22) **Filed:** **Mar. 23, 2006**

(51) **LOC (8) Cl.** **26-05**

(52) **U.S. Cl.** **D26/74**

(58) **Field of Classification Search** D26/72,
D26/74-79; 362/217-225, 283, 147, 363-4;
D25/138, 147, 157-8, 163

See application file for complete search history.

(56) **References Cited**

U.S. PATENT DOCUMENTS

D212,899 S *	12/1968	Vesely et al.	D26/24
4,377,059 A *	3/1983	Kuhr	52/98
4,754,372 A	6/1988	Harrison		
4,907,361 A	3/1990	Villard		
4,992,914 A	2/1991	Heiss et al.		
D348,534 S *	7/1994	Herst et al.	D26/85
D376,657 S	12/1996	Bohn		
D400,281 S	10/1998	Kerr		
6,116,751 A	9/2000	Remp		
D459,005 S *	6/2002	Tagawa	D25/108
D486,262 S *	2/2004	Chen	D26/77

6,755,550 B1 *	6/2004	Lackey	362/147
D493,907 S *	8/2004	Benensohn	D26/89
D499,505 S *	12/2004	Benensohn	D26/89
D514,732 S *	2/2006	Benensohn	D26/89
D519,649 S *	4/2006	Sandor, Sr.	D25/103
D532,528 S *	11/2006	Sandor, Sr.	D25/103

* cited by examiner

Primary Examiner—Lou Zarfaz

Assistant Examiner—Susan E Krakower

(74) *Attorney, Agent, or Firm*—Lawrence J. Gibney, Jr.

(57) **CLAIM**

The ornamental design for tile light, as shown and described.

DESCRIPTION

FIG. 1 is a top plan view of a tile light with cover removed, showing my new design;

FIG. 2 is a bottom plan view thereof;

FIG. 3 is a right side elevational view thereof;

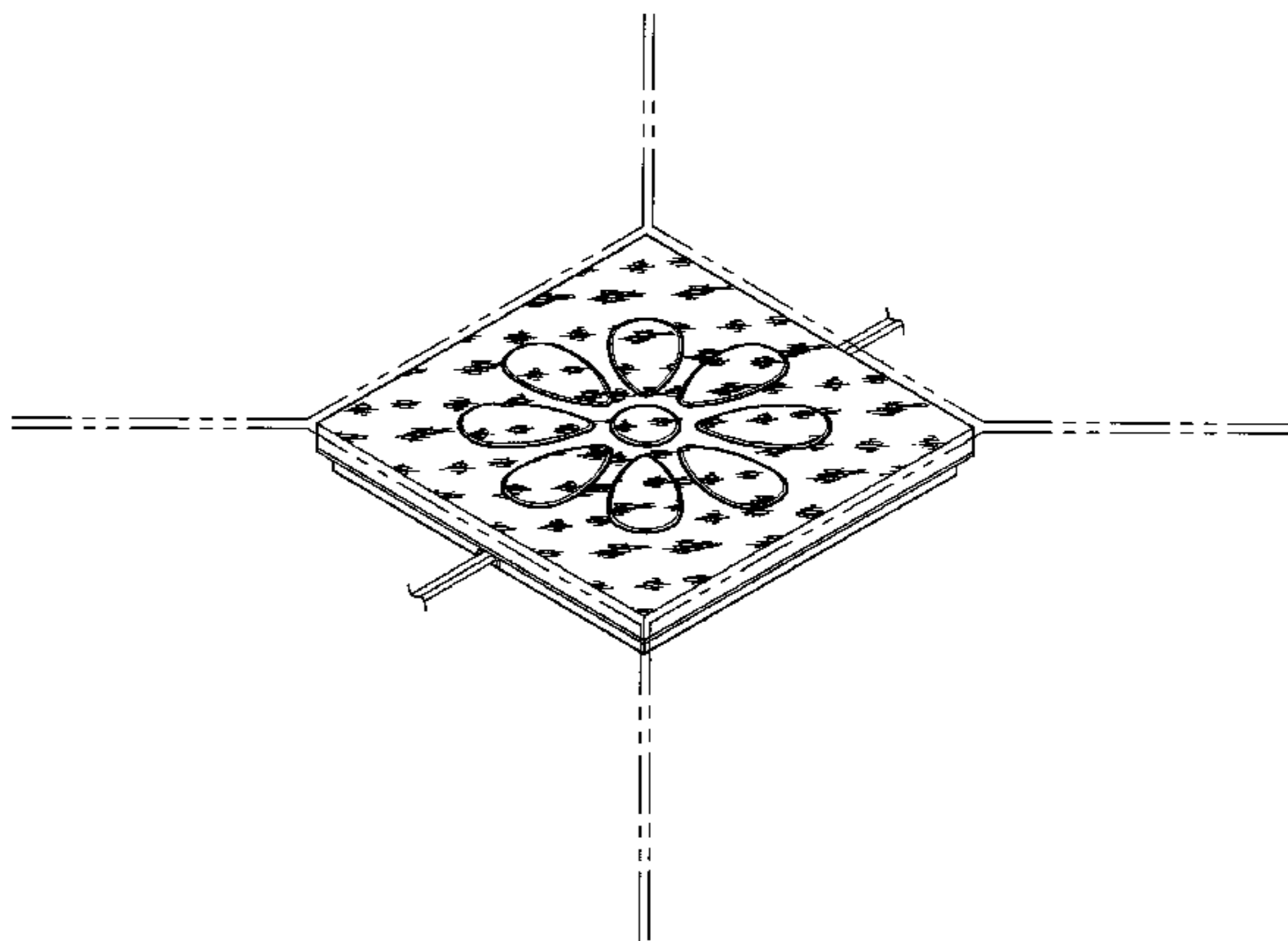
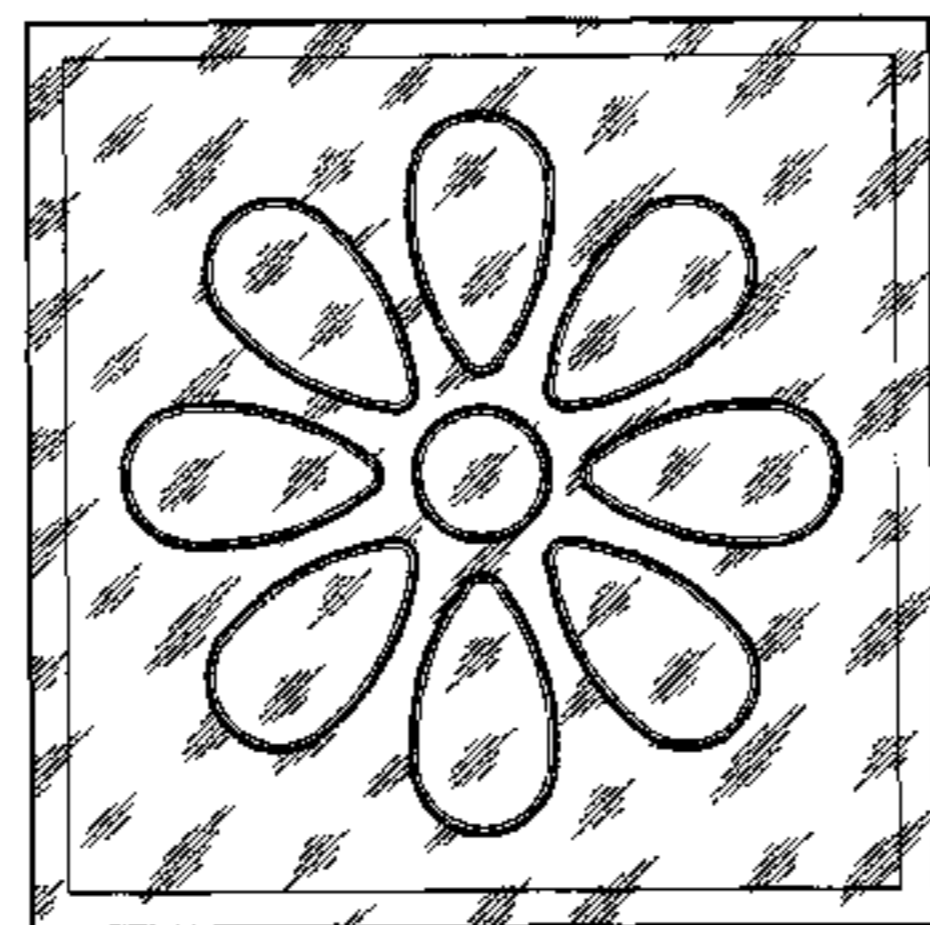
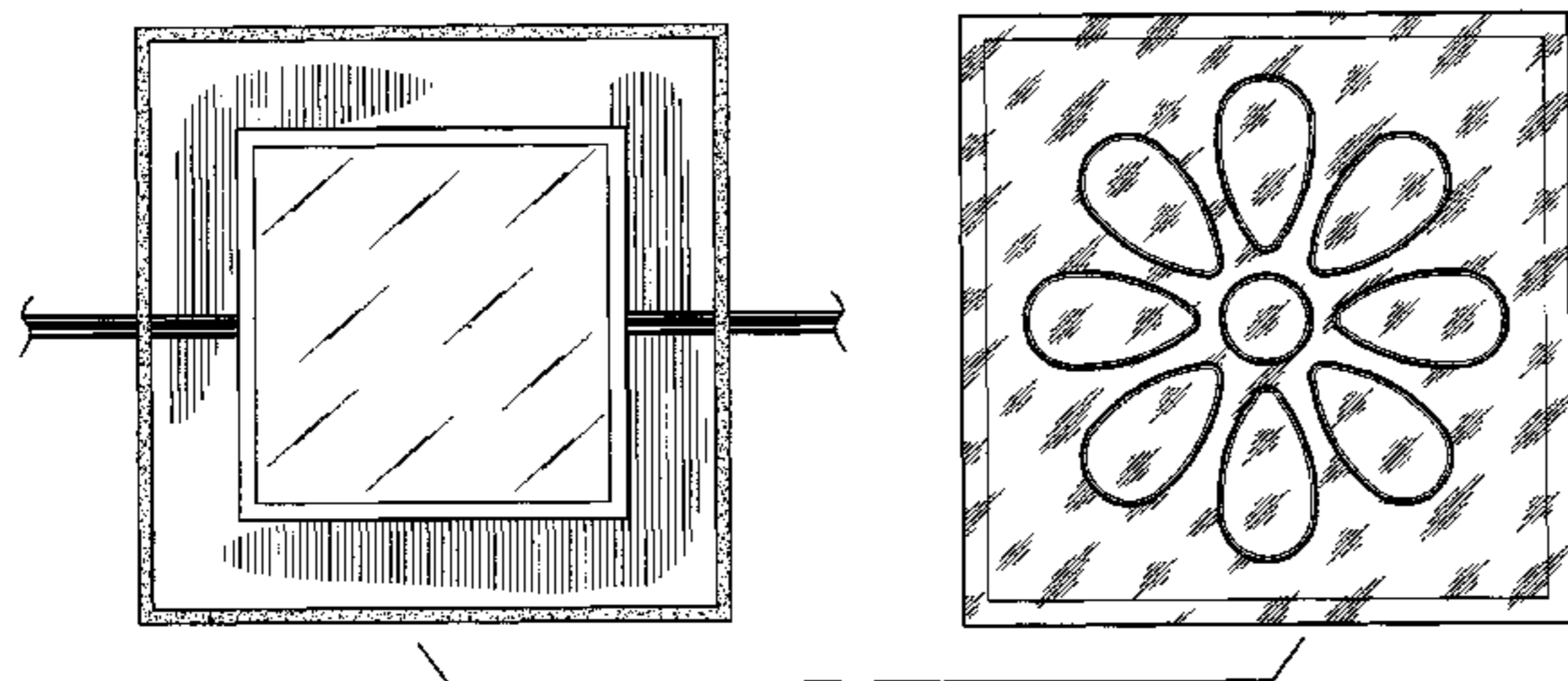
FIG. 4 is a front elevational view thereof;

FIG. 5 is an isometric view thereof; and,

FIG. 6 is an assembled isometric view thereof.

The broken line showing of the ceiling in FIG. 6 is included for the purpose of illustrating environmental structure and forms no part of the claimed design.

1 Claim, 5 Drawing Sheets



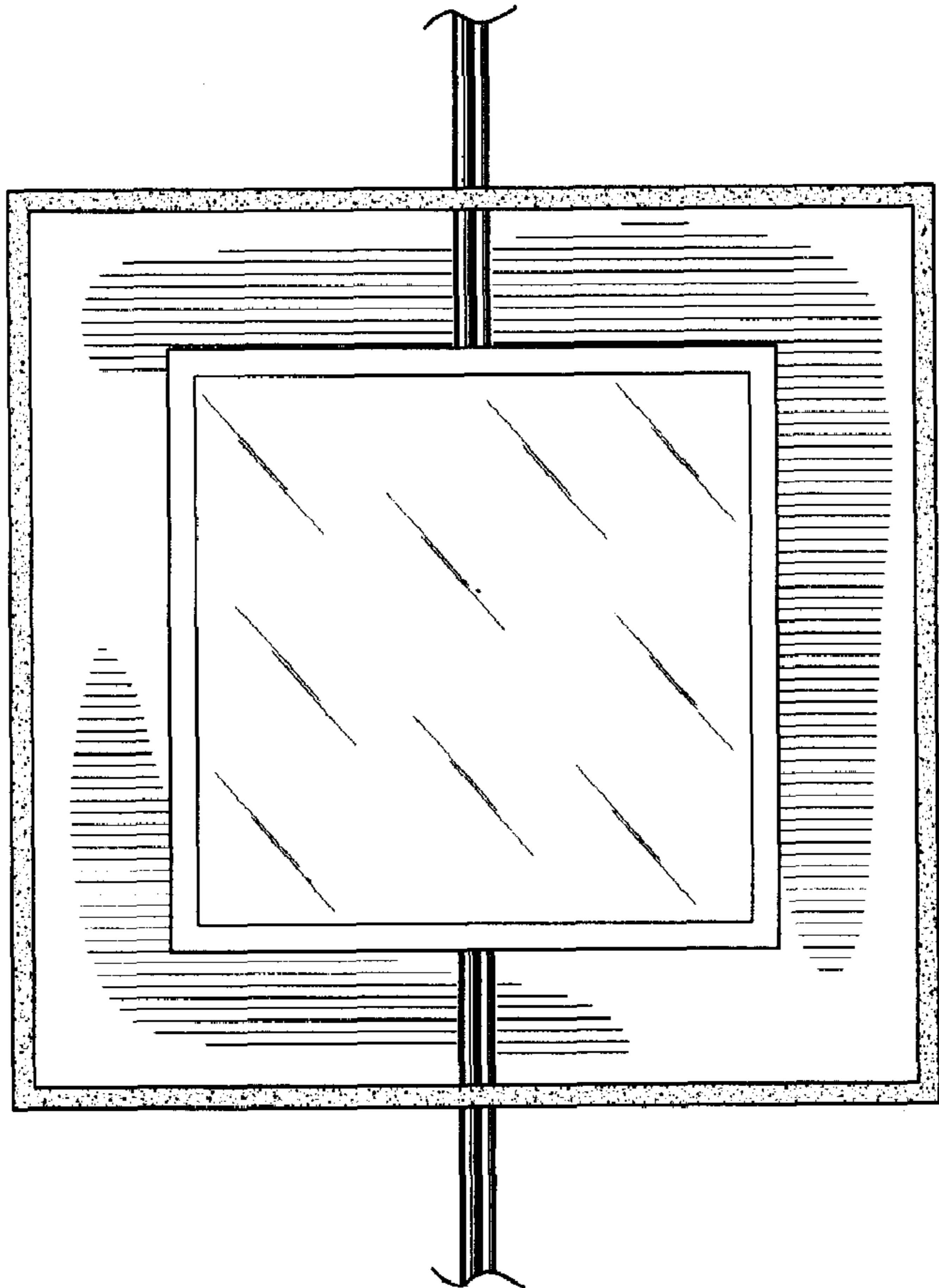
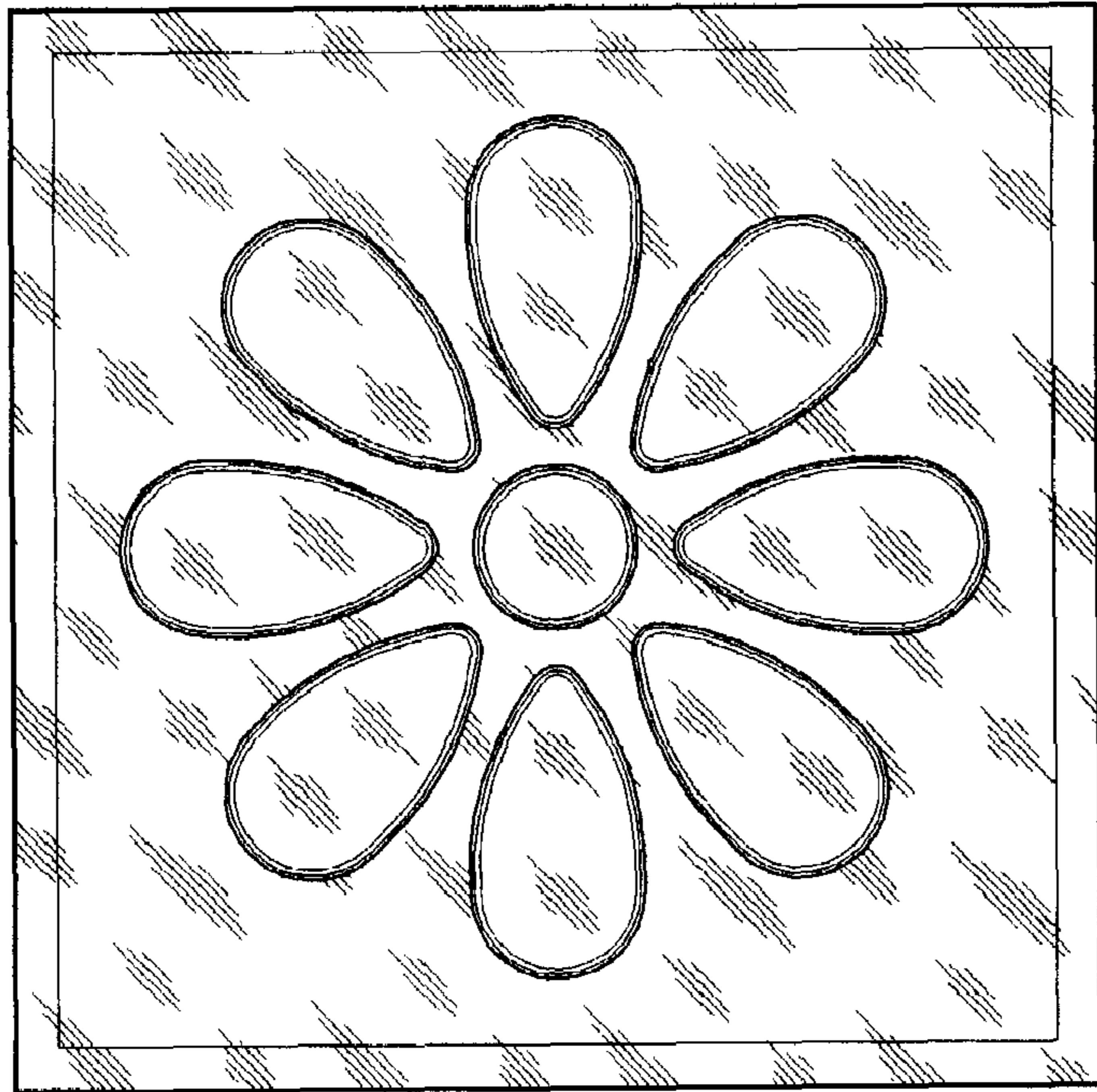


FIG. 1

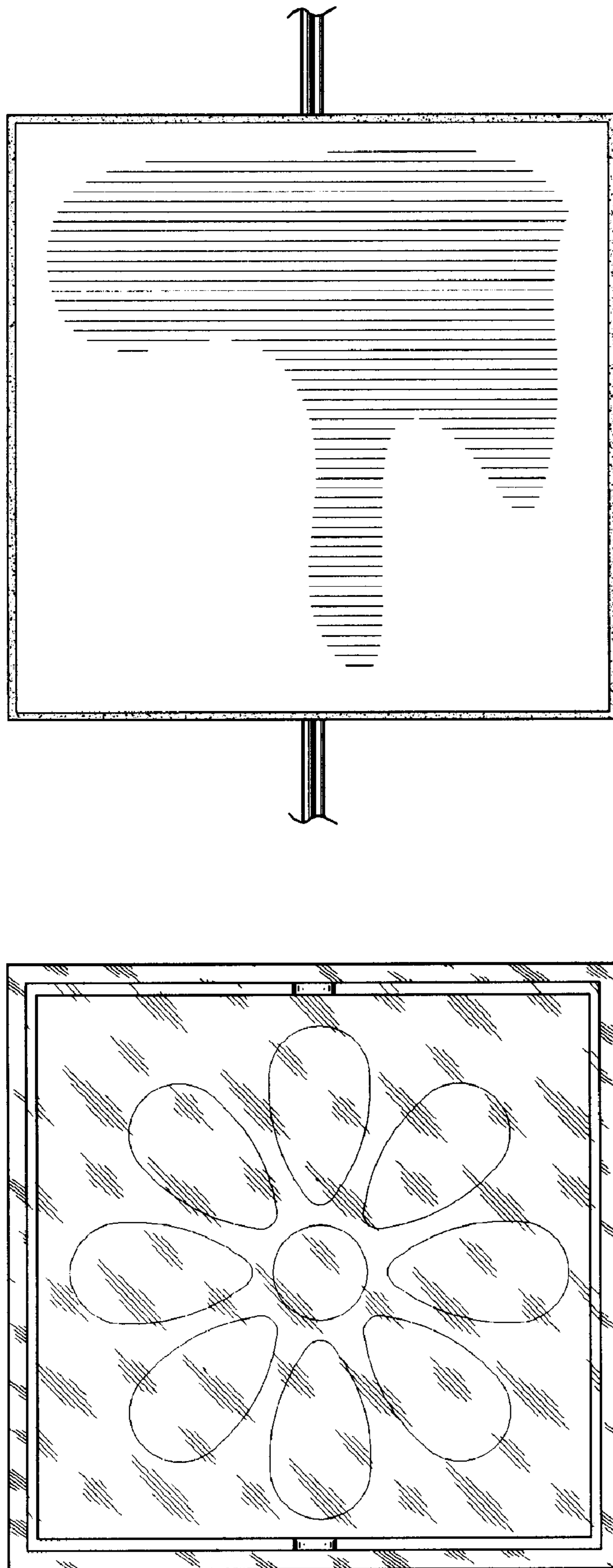


FIG. 2

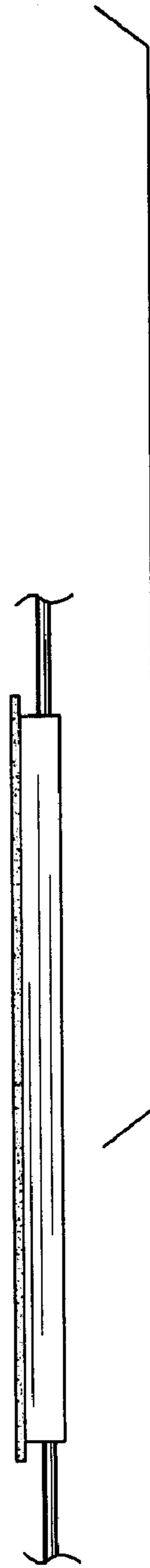
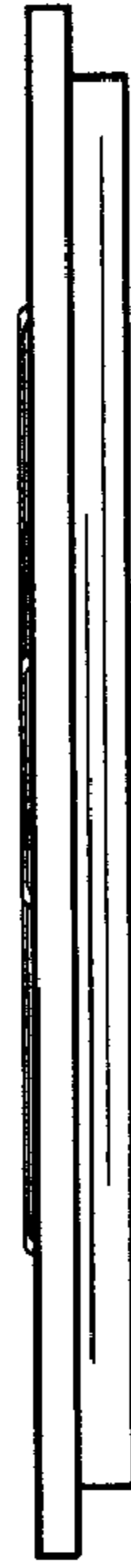
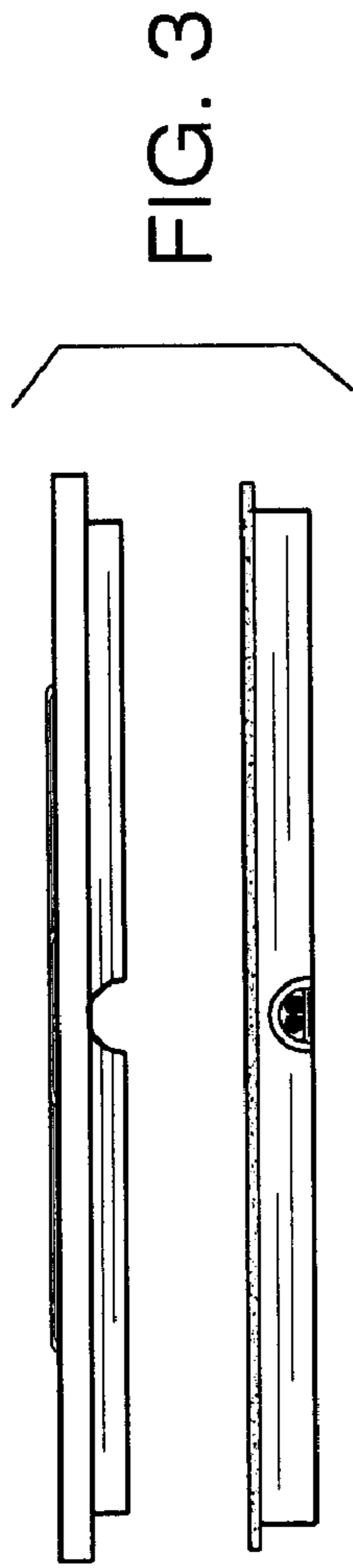
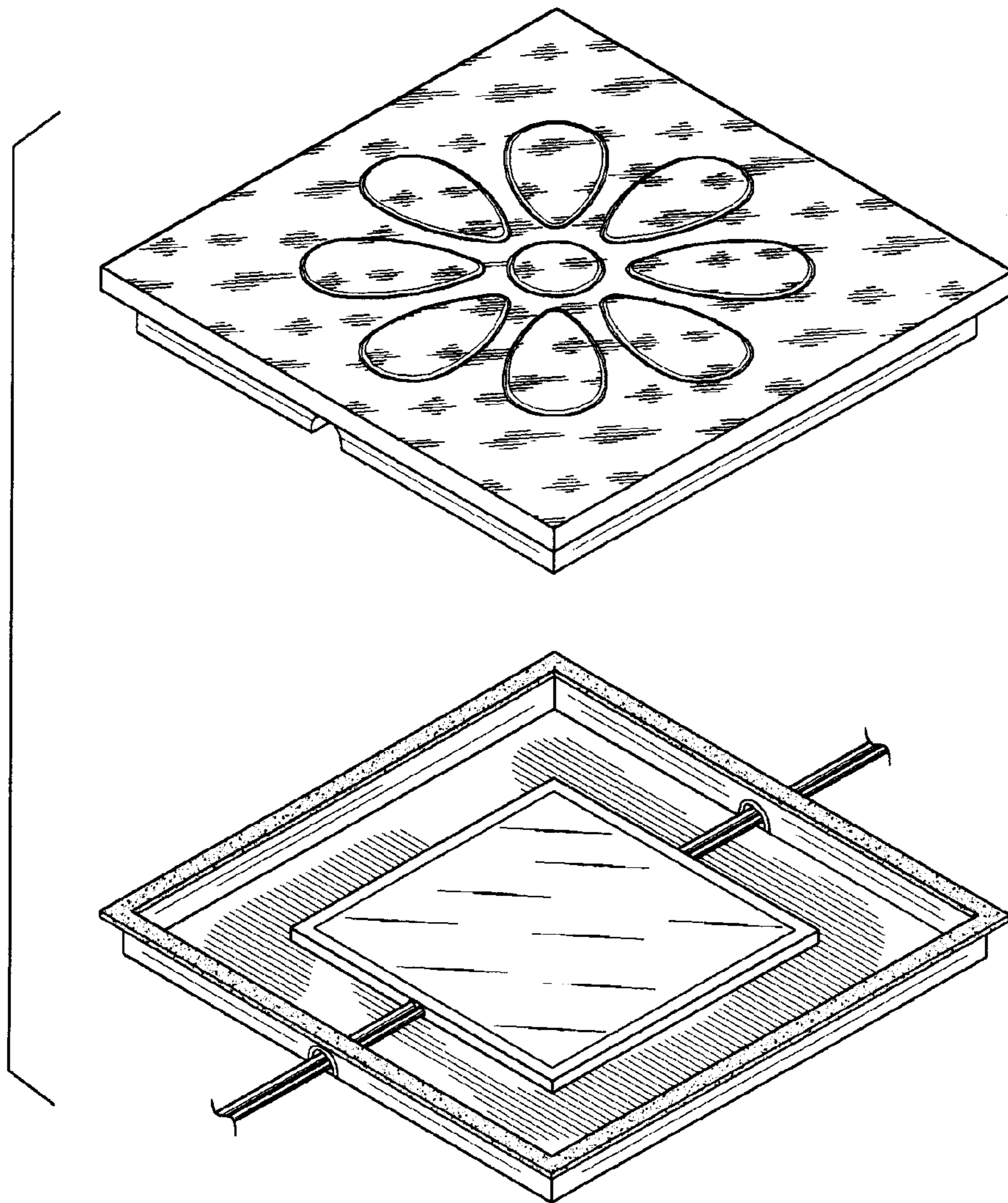


FIG. 5



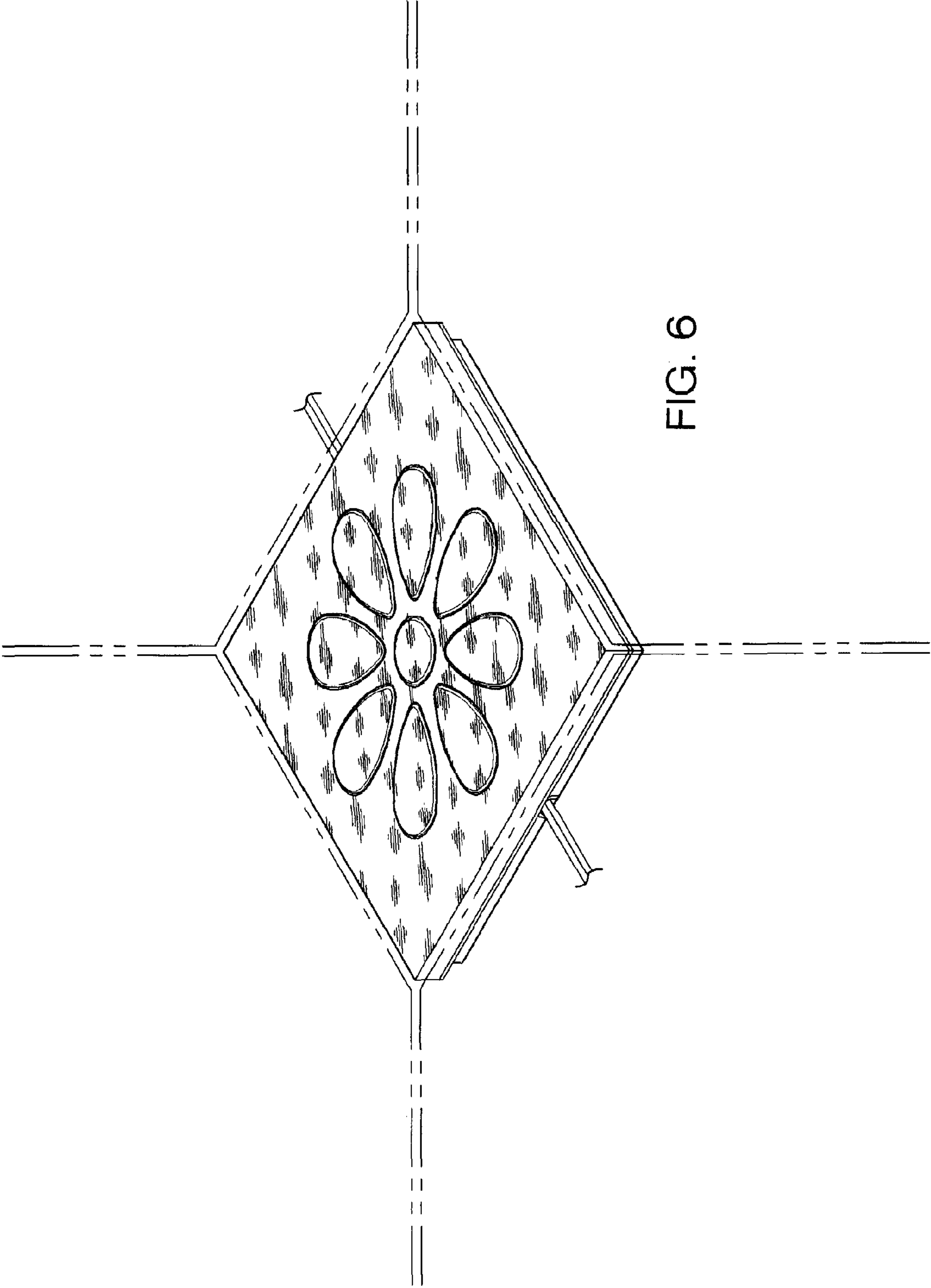


FIG. 6