



US00D547478S

(12) **United States Design Patent**  
**Guercio**

(10) **Patent No.:** **US D547,478 S**

(45) **Date of Patent:** **\*\* Jul. 24, 2007**

(54) **SLIP FIT MOUNT LIGHT FIXTURE**

(75) Inventor: **Vincenzo Guercio**, Wallkill, NY (US)

(73) Assignee: **RAB Lighting, Inc.**, Northvale, NJ (US)

(\*\*) Term: **14 Years**

(21) Appl. No.: **29/253,017**

(22) Filed: **Jan. 30, 2006**

(51) **LOC (8) Cl.** ..... **26-05**

(52) **U.S. Cl.** ..... **D26/63**

(58) **Field of Classification Search** ..... D26/61,  
D26/63, 66, 71, 72; 362/269–271, 273, 285,  
362/287, 289, 372, 396, 418, 426, 427, 430,  
362/648, 650

See application file for complete search history.

(56) **References Cited**

**U.S. PATENT DOCUMENTS**

D214,584 S *	7/1969	Routh et al.	.....	D26/63
D241,671 S *	9/1976	D'Ercoll et al.	.....	D26/63
4,143,413 A *	3/1979	Kelly	.....	362/418
4,488,205 A *	12/1984	Quiogue	.....	362/296
4,626,975 A *	12/1986	Miletich	.....	362/418
D295,791 S *	5/1988	Strandberg	.....	D26/63
D345,226 S *	3/1994	Tsao	.....	D26/63
D357,992 S *	5/1995	Mehaffey	.....	D26/63

D360,962 S *	8/1995	Cornell et al.	.....	D26/67
D407,836 S *	4/1999	Leen	.....	D26/63
D420,458 S *	2/2000	Guercio	.....	D26/63

**OTHER PUBLICATIONS**

U.S. Appl. 29/215,465, Guercio.

\* cited by examiner

*Primary Examiner*—Clare E Heflin

(74) *Attorney, Agent, or Firm*—Darby & Darby

(57) **CLAIM**

The ornamental design for a slip-fit mount light fixture, as shown and described.

**DESCRIPTION**

FIG. 1 is a front perspective view of a slip-fit mount light fixture;

FIG. 2 is a left side view of the light fixture of FIG. 1;

FIG. 3 is a top view of the light fixture of FIG. 1;

FIG. 4 is a front view of the light fixture of FIG. 1;

FIG. 5 is a right view of the light fixture of FIG. 1;

FIG. 6 is a bottom view of the light fixture of FIG. 1; and,

FIG. 7 is a back view of the light fixture of FIG. 1.

The broken lines shown on the drawings are for illustrative purposes only and form no part of the claimed design.

**1 Claim, 7 Drawing Sheets**

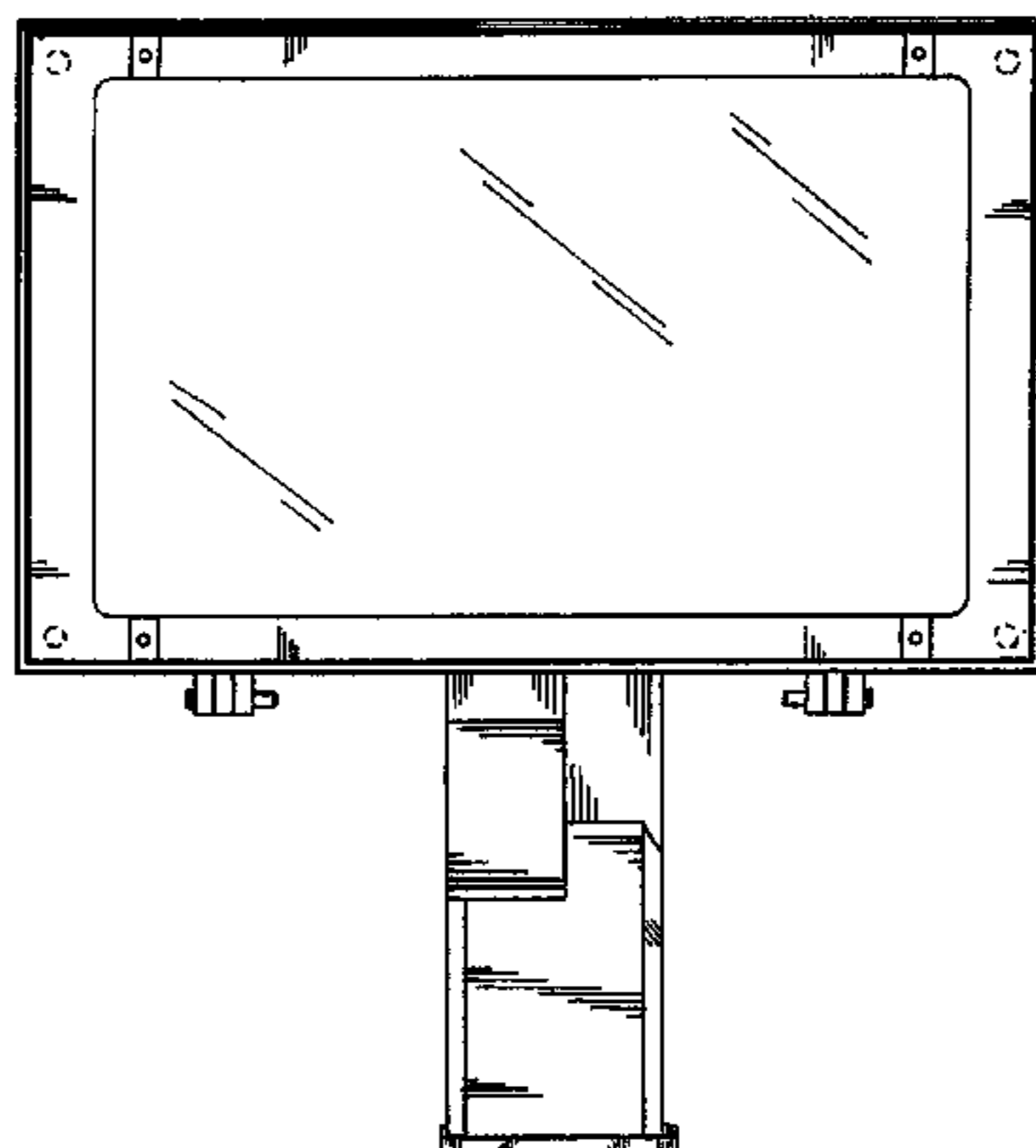
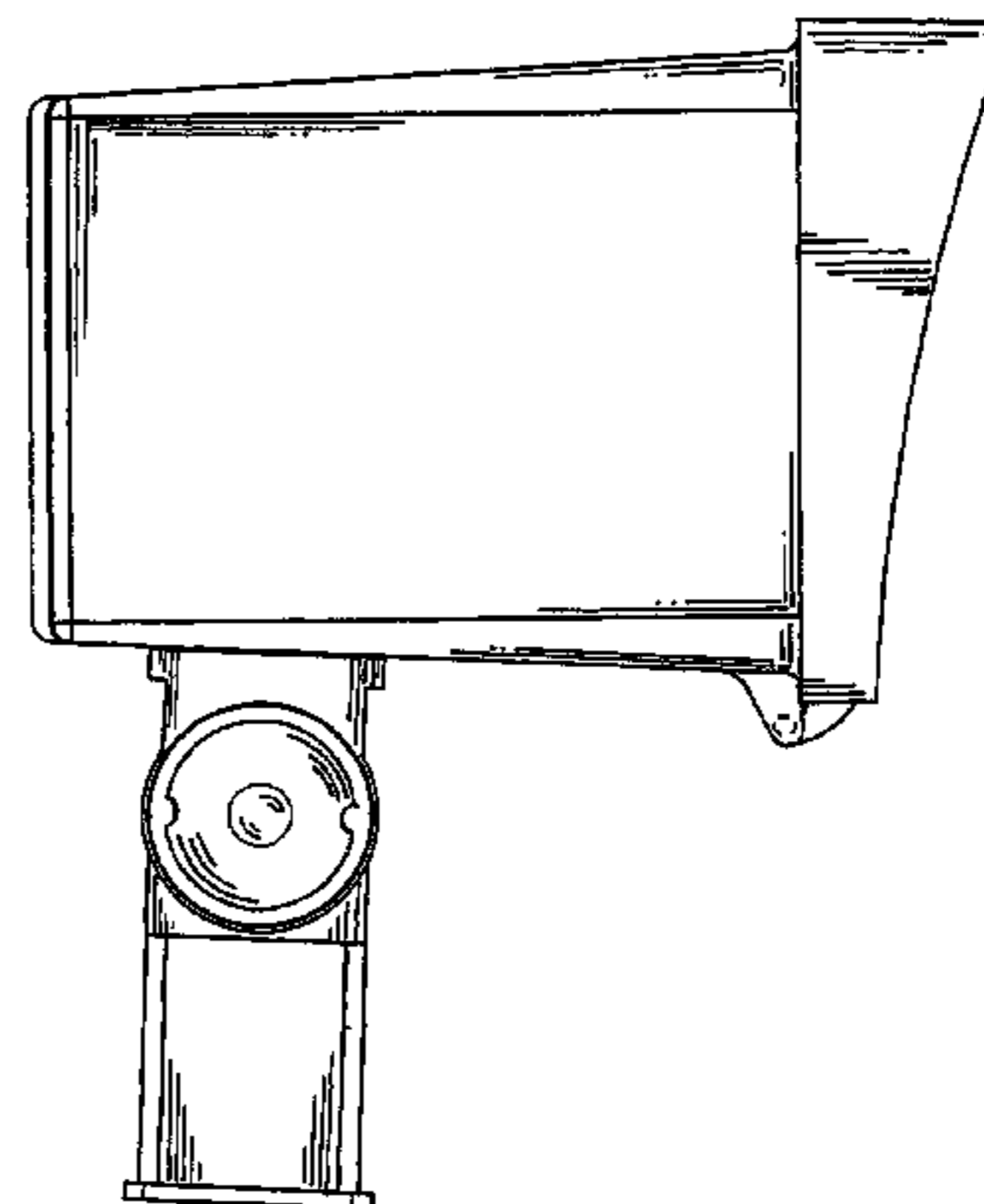
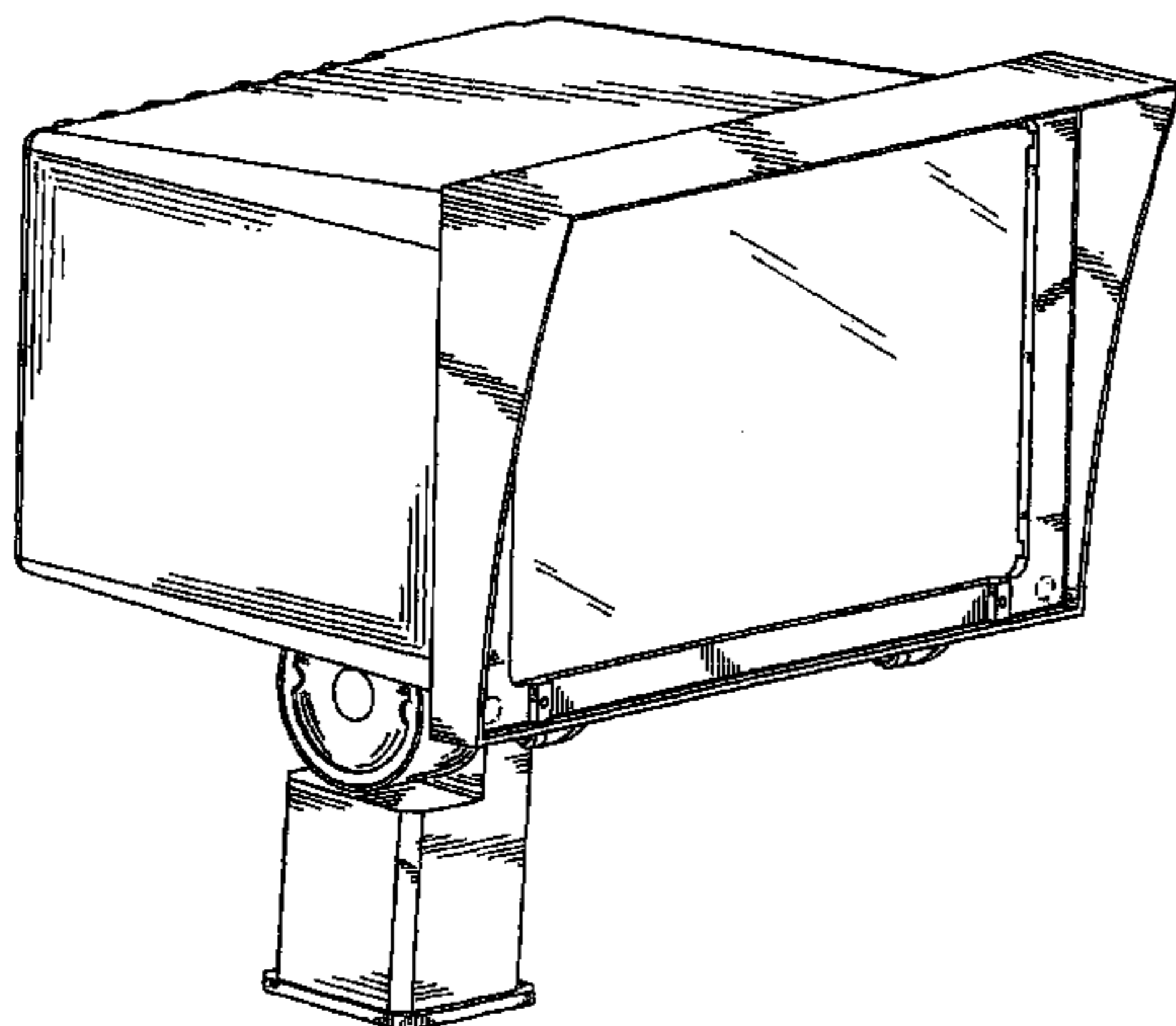
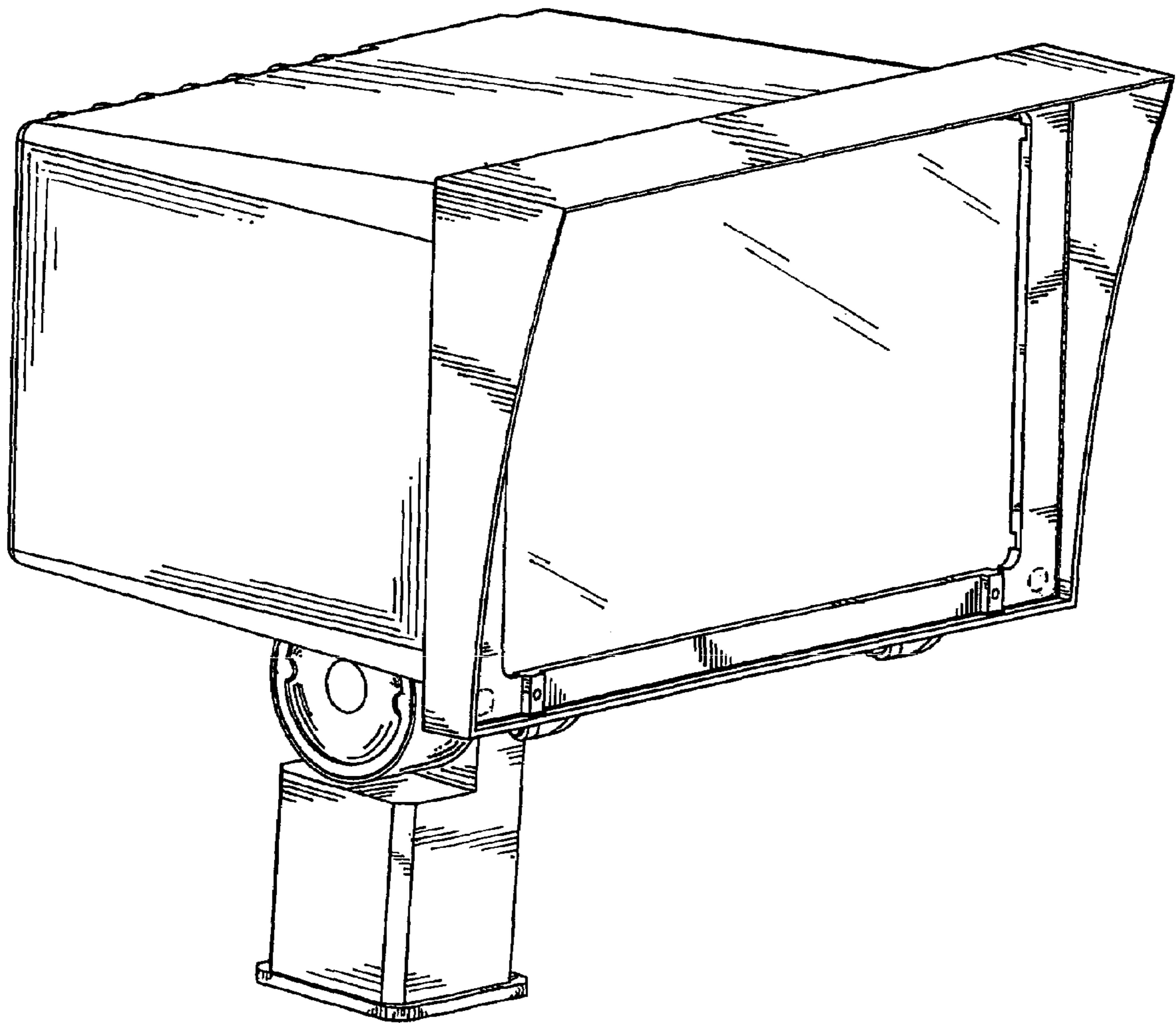
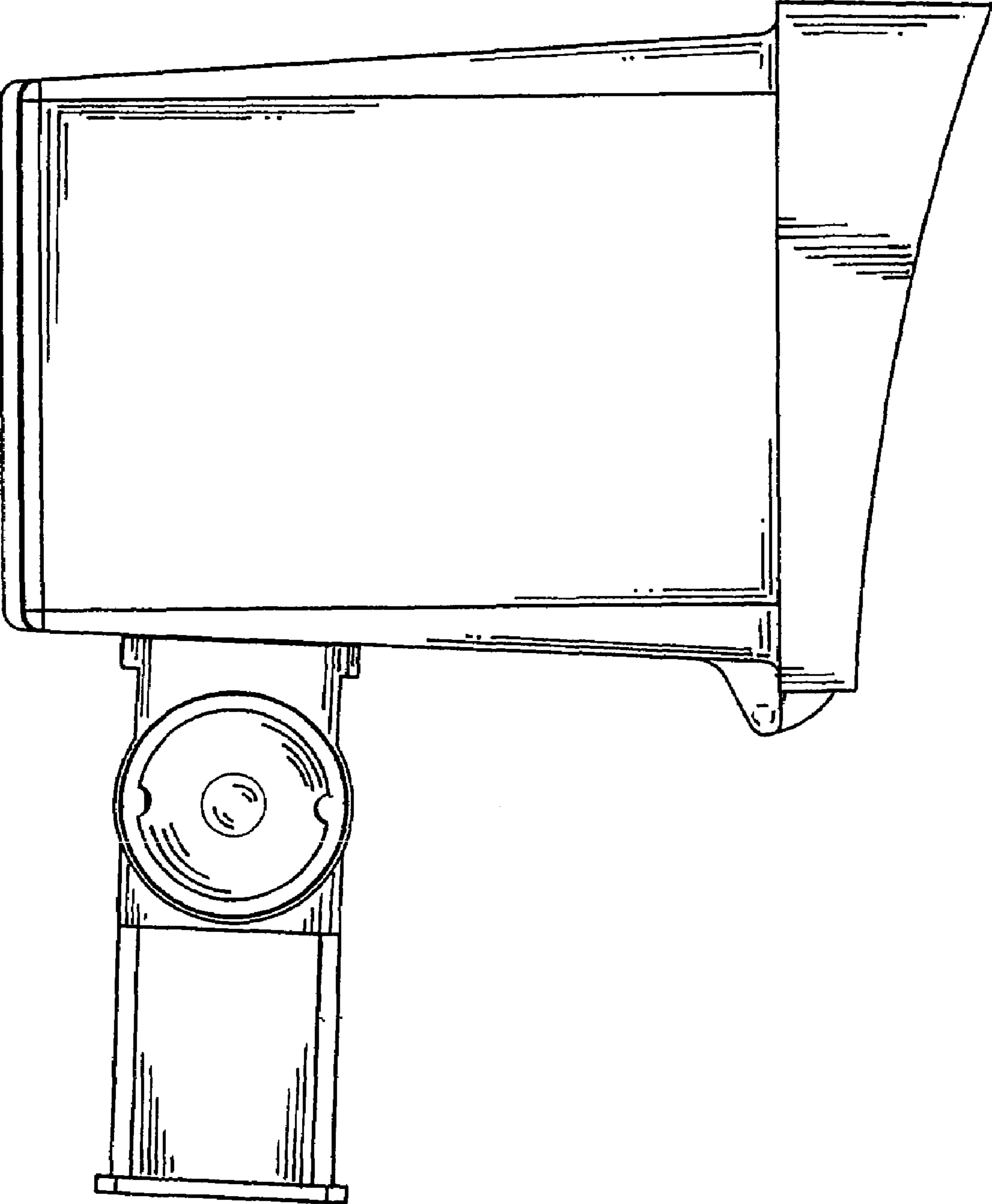


FIG. 1



**FIG. 2**



**FIG. 3**

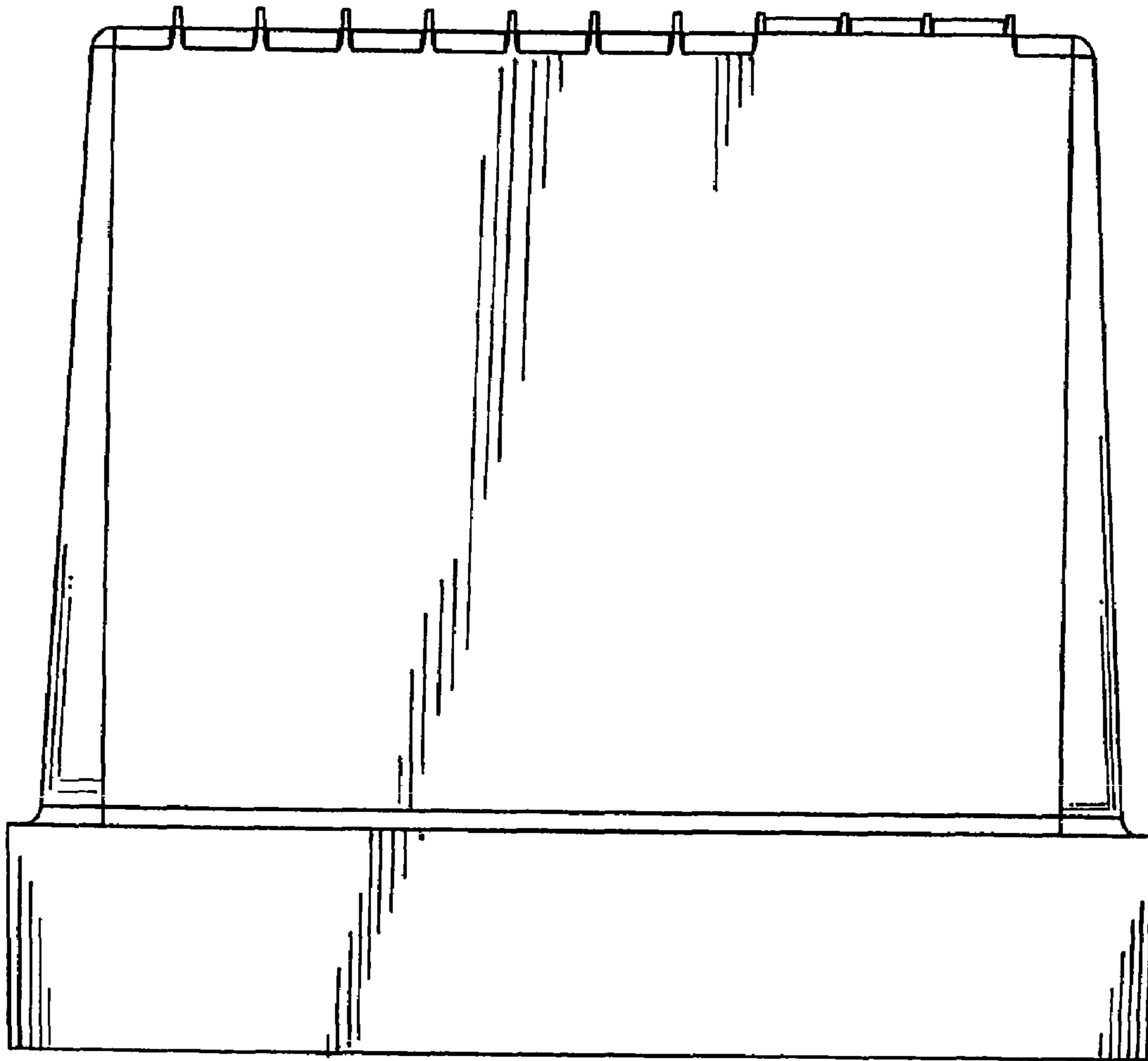
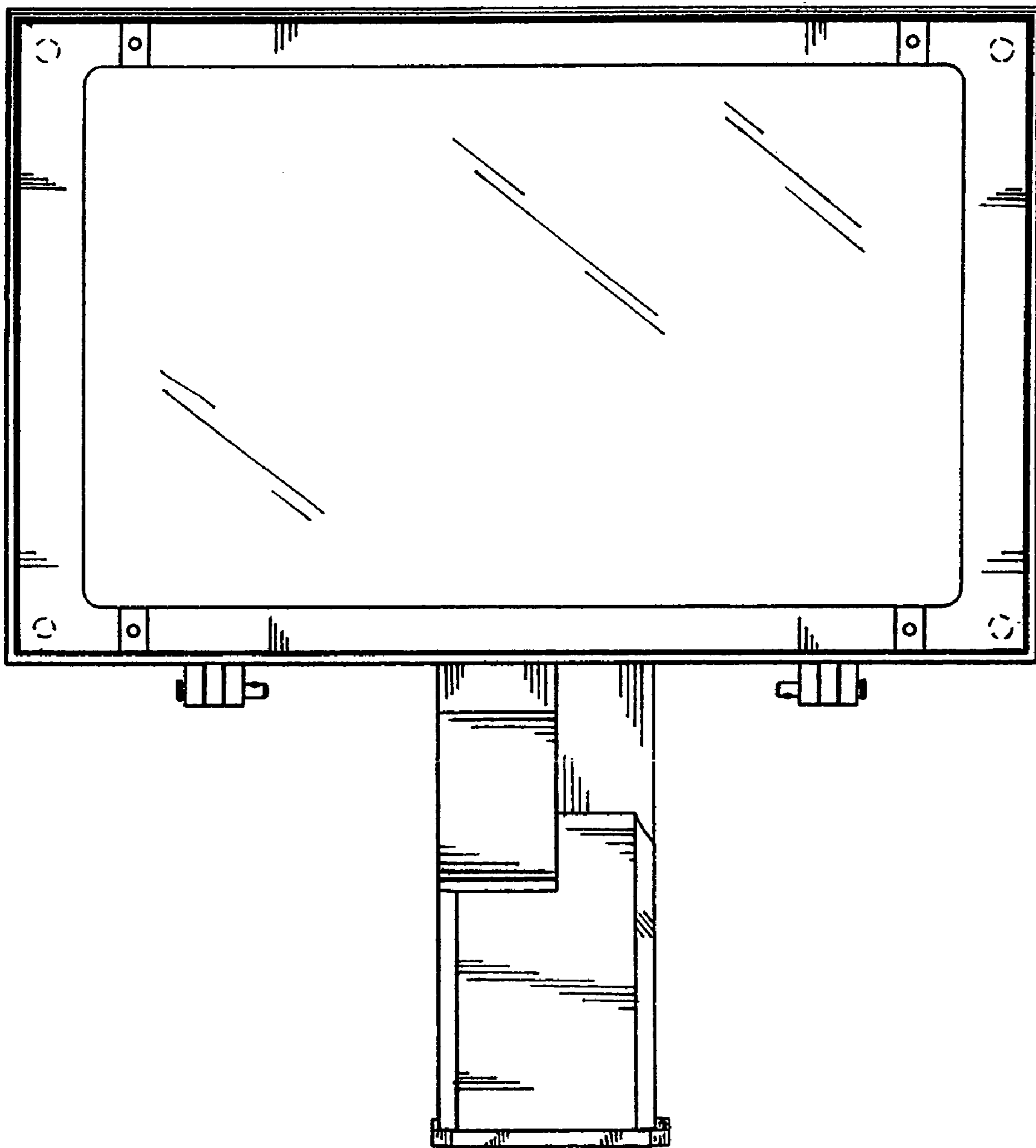


FIG. 4



**FIG. 5**

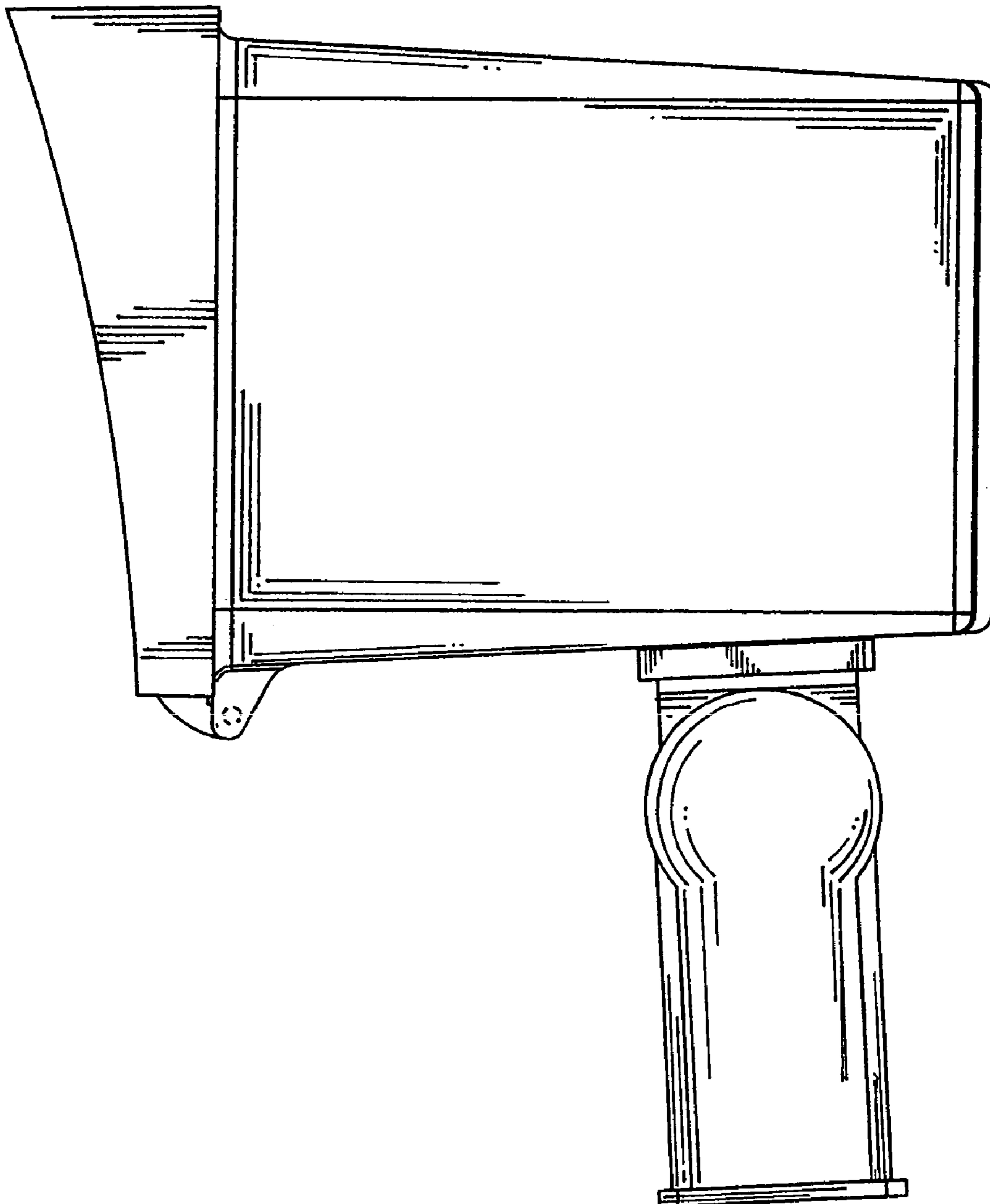


FIG. 6

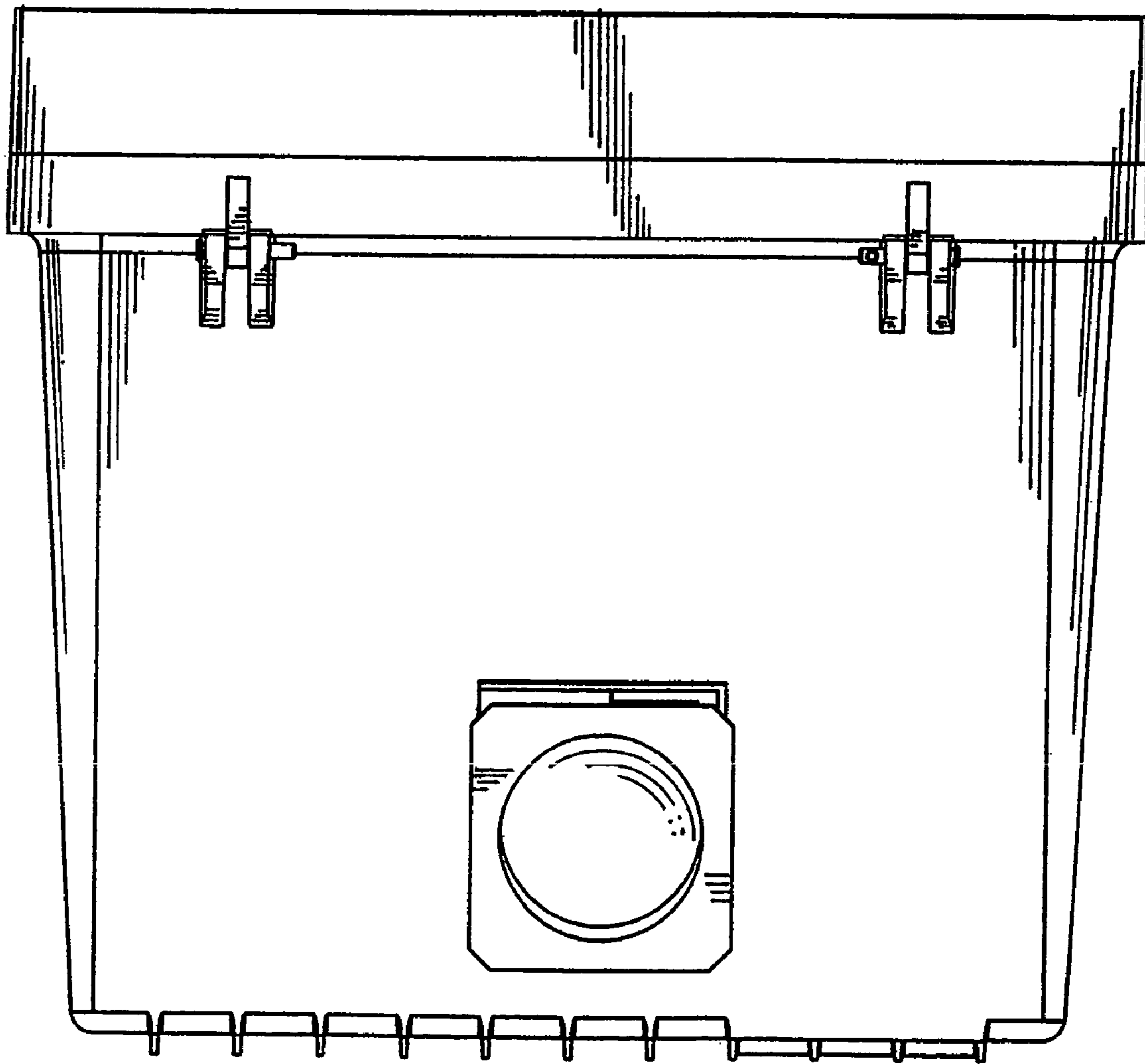


FIG. 7

