



US00D547477S

(12) **United States Design Patent**
Guercio

(10) **Patent No.:** **US D547,477 S**

(45) **Date of Patent:** **** Jul. 24, 2007**

(54) **TRUNNION MOUNT LIGHT FIXTURE**

D420,458 S * 2/2000 Guercio D26/63

(75) Inventor: **Vincenzo Guercio**, Wallkill, NY (US)

(73) Assignee: **Rab Lighting, Inc.**, Northvale, NJ (US)

(**) Term: **14 Years**

(21) Appl. No.: **29/253,016**

(22) Filed: **Jan. 30, 2006**

(51) **LOC (8) Cl.** **26-05**

(52) **U.S. Cl.** **D26/63**

(58) **Field of Classification Search** D26/61,
D26/63, 66, 71, 72; 362/269-271, 273, 285,
362/287, 289, 372, 396, 418, 426, 427, 430,
362/648, 650

See application file for complete search history.

(56) **References Cited**

U.S. PATENT DOCUMENTS

D106,774 S *	11/1937	Phillips	D26/63
D239,047 S *	3/1976	Asaki	D26/63
4,379,321 A *	4/1983	Plemmons et al.	362/267
4,626,975 A *	12/1986	Miletich	362/418
D345,025 S *	3/1994	Tsao	D26/63
D345,226 S *	3/1994	Tsao	D26/63
D407,836 S *	4/1999	Leen	D26/63

OTHER PUBLICATIONS

U.S. Appl. No. 29/215,438, Guercio.

* cited by examiner

Primary Examiner—Clare E Heflin

(74) *Attorney, Agent, or Firm*—Darby & Darby

(57) **CLAIM**

The ornamental design for a trunnion mount light fixture, as shown and described.

DESCRIPTION

FIG. 1 is a front perspective view of a trunnion mount light fixture;

FIG. 2 is a front view of the light fixture of FIG. 1;

FIG. 3 is a top view of the light fixture of FIG. 1;

FIG. 4 is a bottom view of the light fixture of FIG. 1;

FIG. 5 is a right view of the light fixture of FIG. 1;

FIG. 6 is a back view of the light fixture of FIG. 1; and,

FIG. 7 is a left view of the light fixture of FIG. 1.

The broken lines shown on the drawings are for illustrative purposes only and form no part of the claimed design.

1 Claim, 7 Drawing Sheets

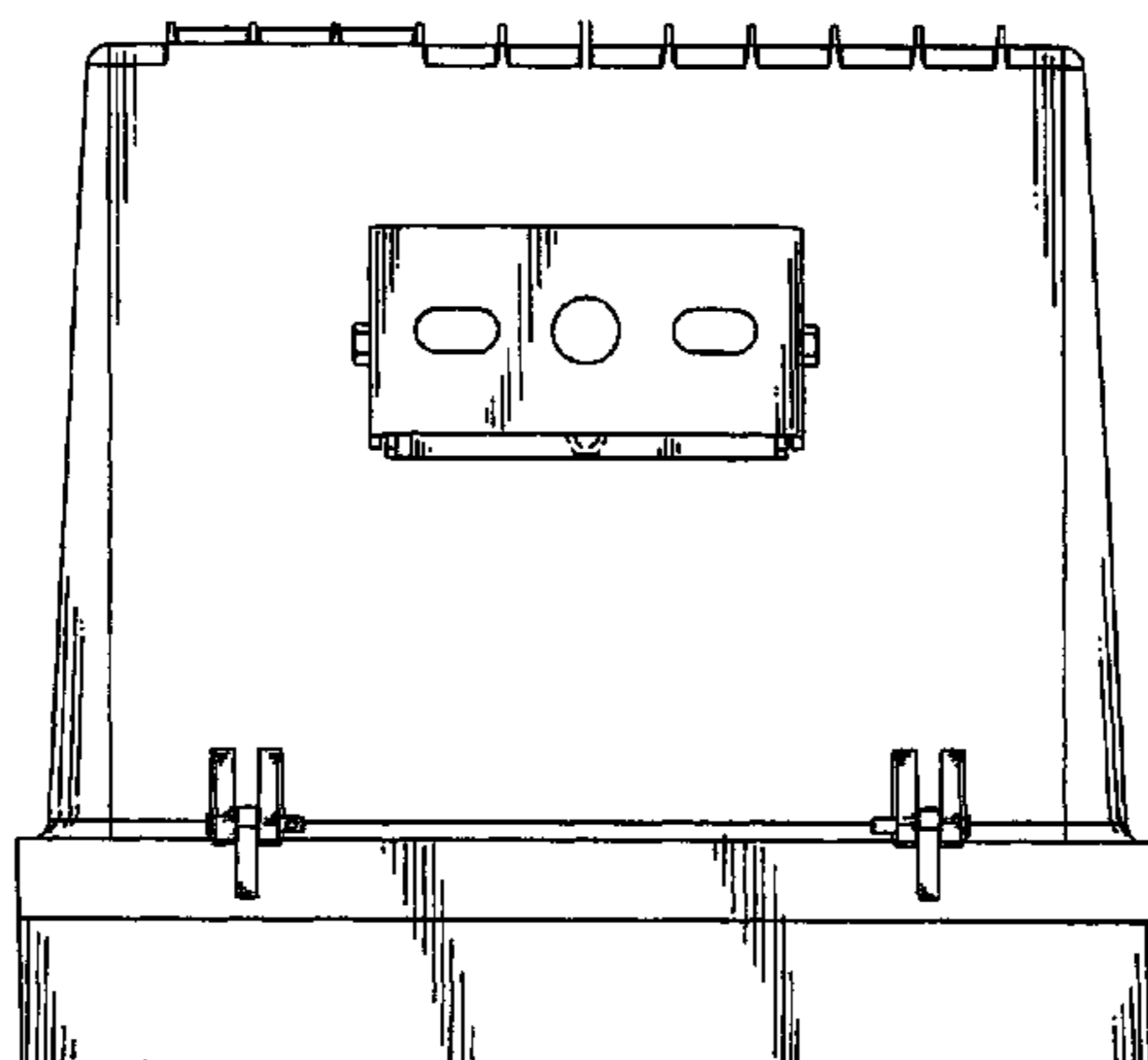
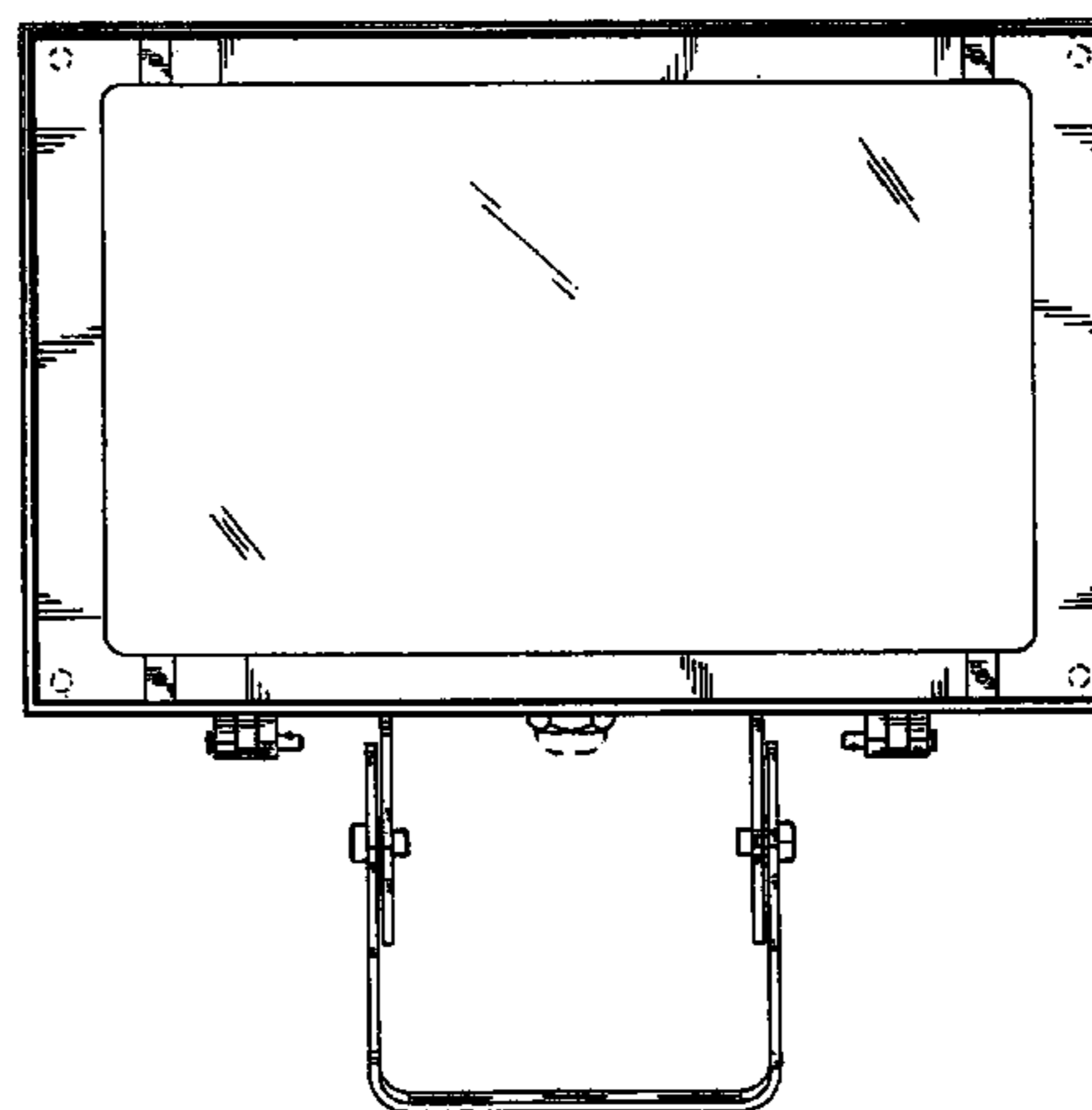
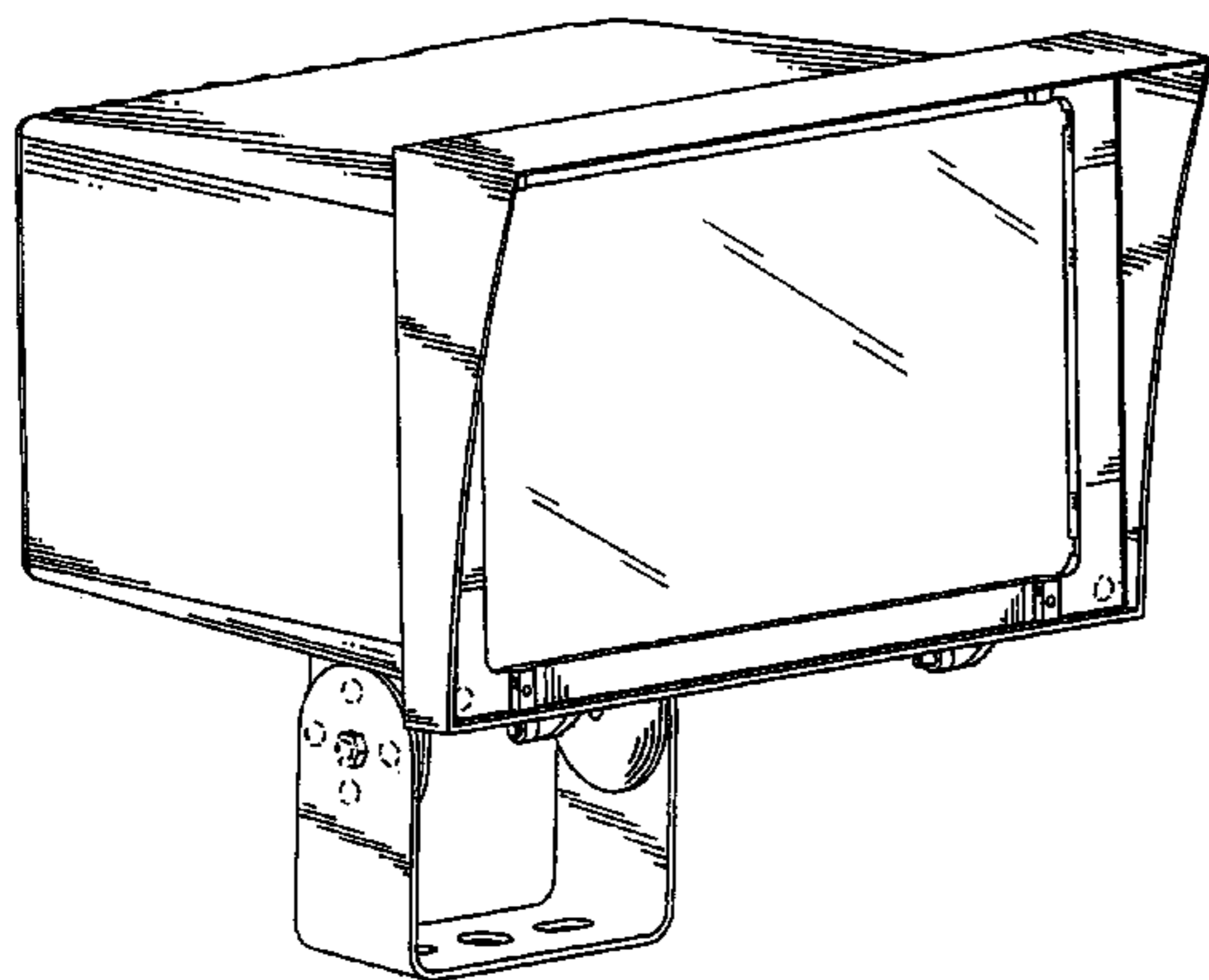


FIG. 1

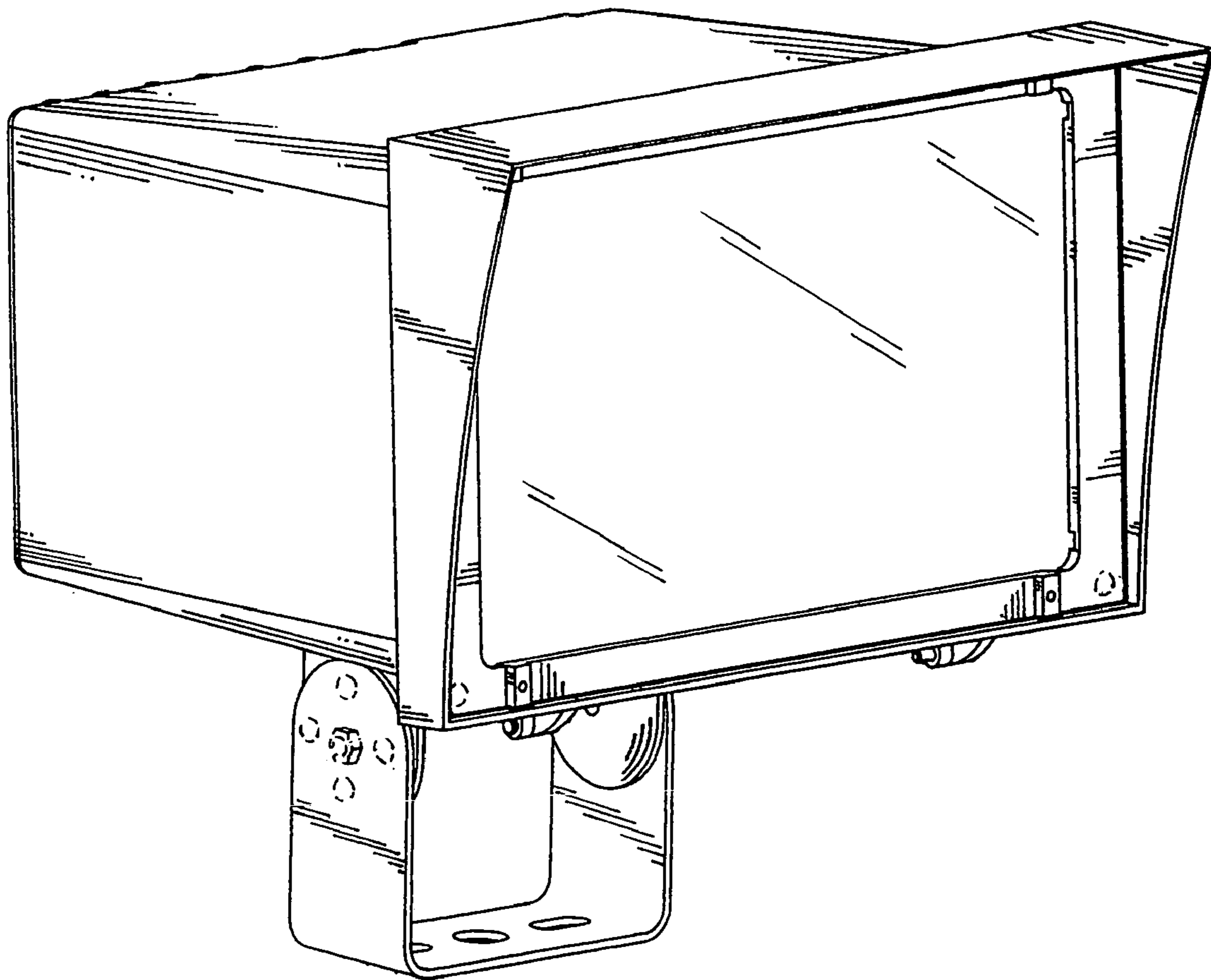


FIG. 2

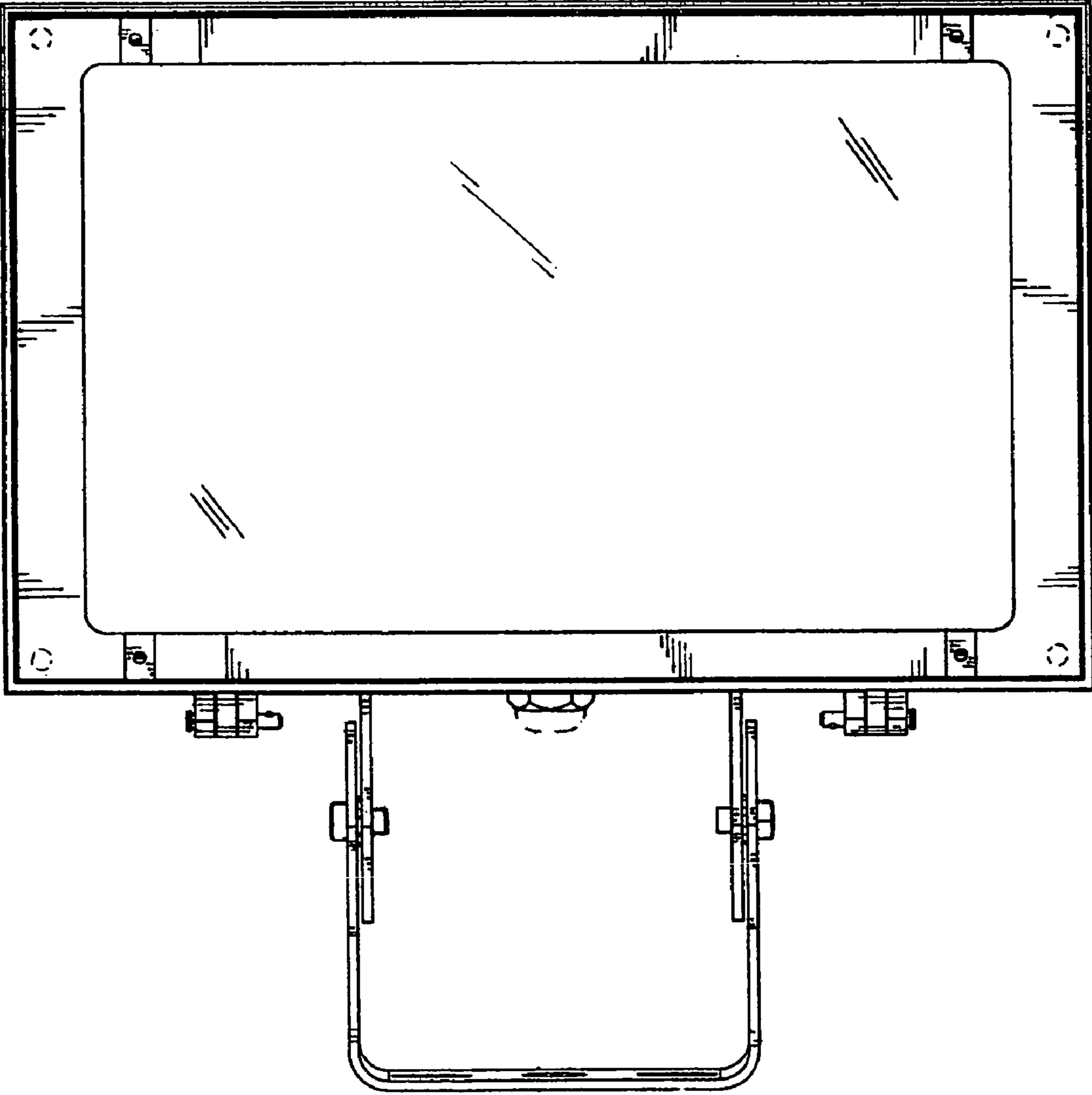


FIG. 3

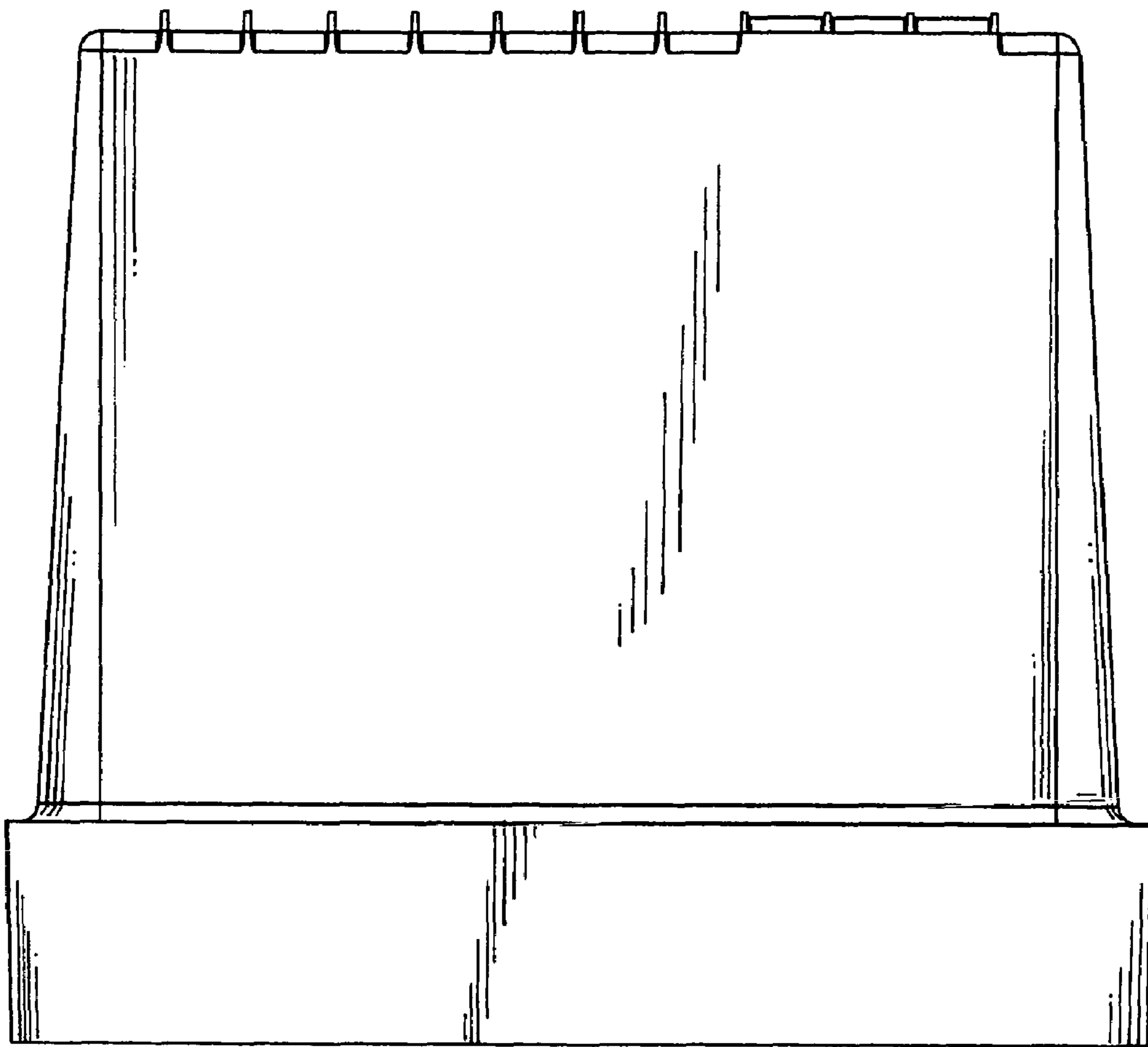


FIG. 4

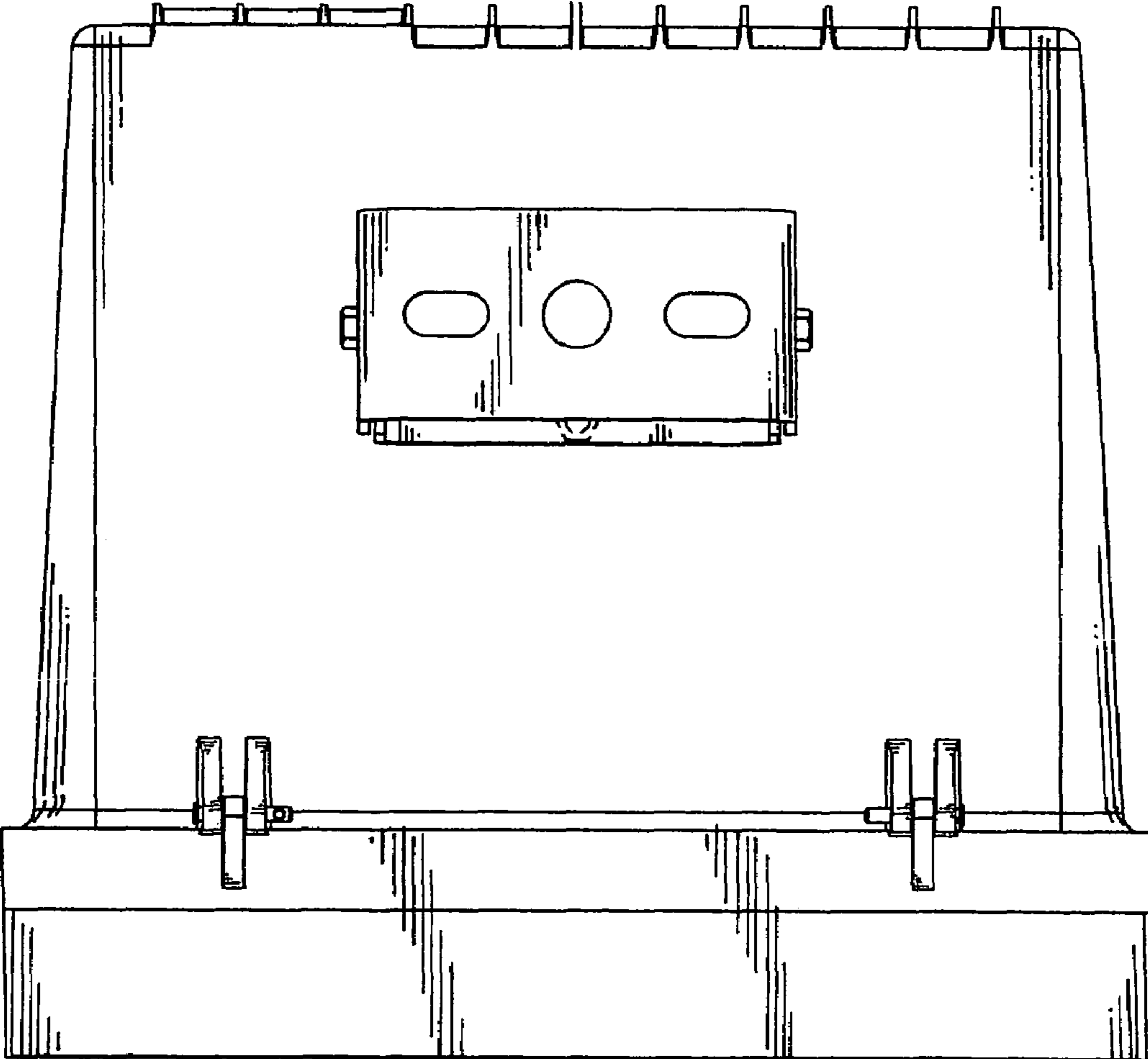


FIG. 5

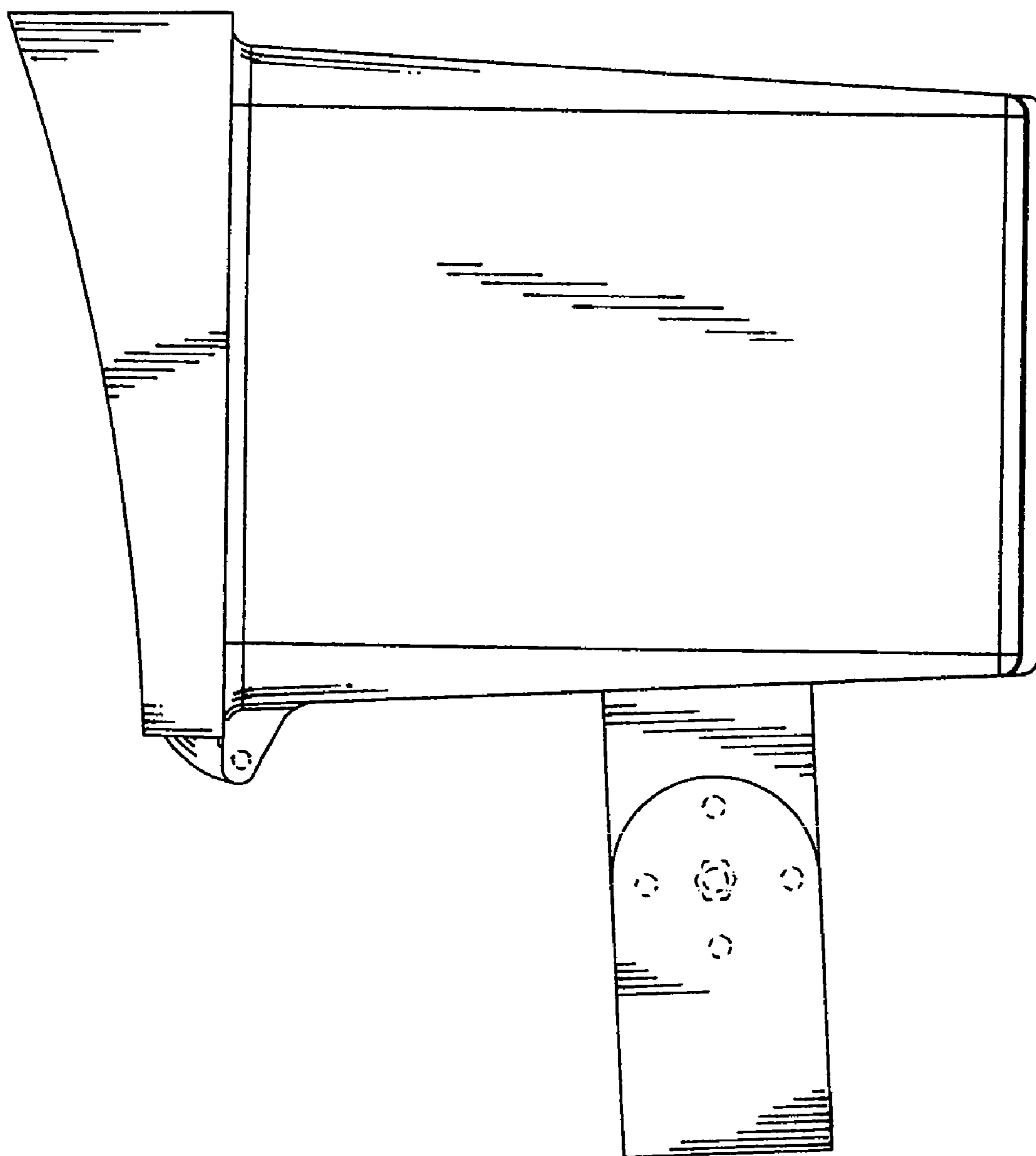


FIG. 6

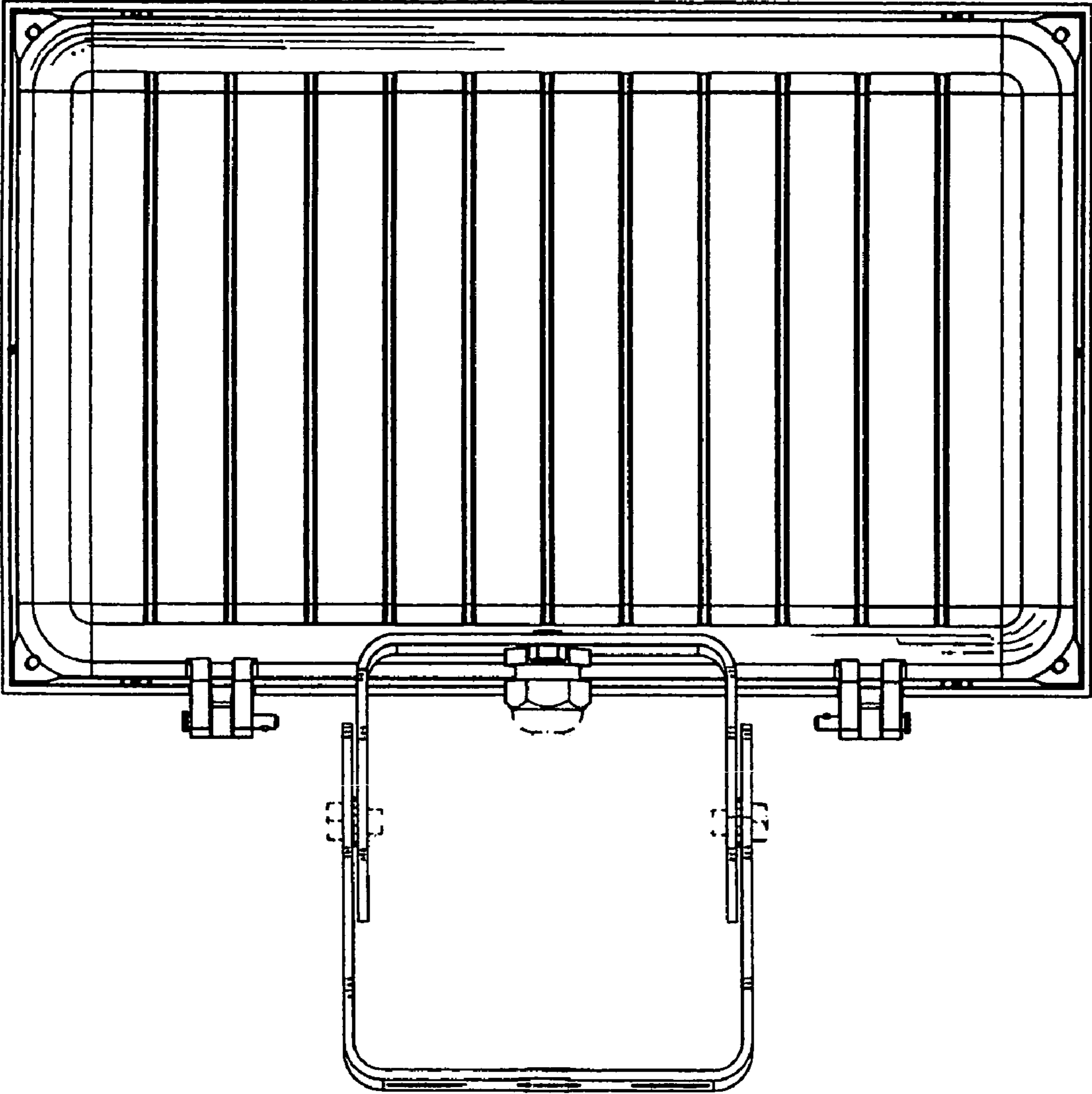


FIG. 7

