



US00D547475S

(12) **United States Design Patent**  
**Xu**

(10) **Patent No.:** **US D547,475 S**  
(45) **Date of Patent:** **\*\* Jul. 24, 2007**

(54) **HEADLAMP**

*Primary Examiner*—Marcus A. Jackson

(76) **Inventor:** **Changchun Xu**, Unit 105, Block 11,  
Jinsha Garden, Futian District,  
Shenzhen City, Guangdong Province  
(CN)

(57) **CLAIM**

The ornamental design for a headlamp, as shown and described.

(\*\*) **Term:** **14 Years**

(21) **Appl. No.:** **29/249,582**

**DESCRIPTION**

(22) **Filed:** **Oct. 13, 2006**

(51) **LOC (8) Cl.** ..... **26-02**

(52) **U.S. Cl.** ..... **D26/39**

(58) **Field of Classification Search** ..... D26/37-50,  
D26/39; 362/157, 158, 171-174, 183-208  
See application file for complete search history.

The claimed headlamp is a light with a reflector and lens mounted on the front of a locomotive, automobile, or other vehicle.

FIG. 1 is a front elevational view of a headlamp showing my new design;

FIG. 2 is a rear elevational view thereof;

FIG. 3 is a right side view thereof;

FIG. 4 is a left side view thereof;

FIG. 5 is a top plan view thereof;

FIG. 6 is a bottom plan view thereof; and,

FIG. 7 is a perspective view thereof.

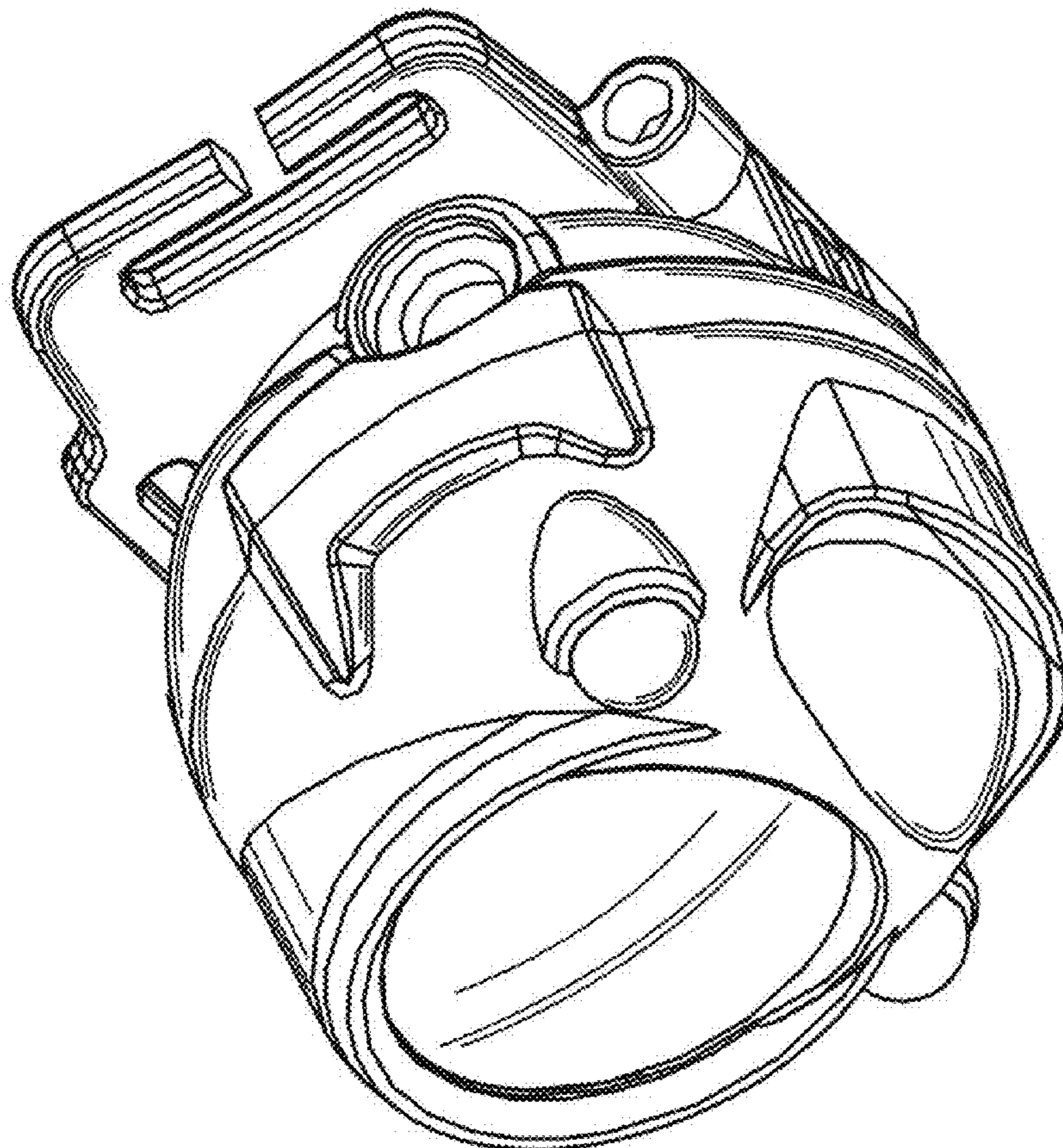
(56) **References Cited**

**U.S. PATENT DOCUMENTS**

D520,656 S *	5/2006	Shiu	.....	D26/28
D528,239 S *	9/2006	Petzl	.....	D26/39
D532,537 S *	11/2006	Shiu	.....	D26/39
D532,538 S *	11/2006	Yuen	.....	D26/39

\* cited by examiner

**1 Claim, 4 Drawing Sheets**



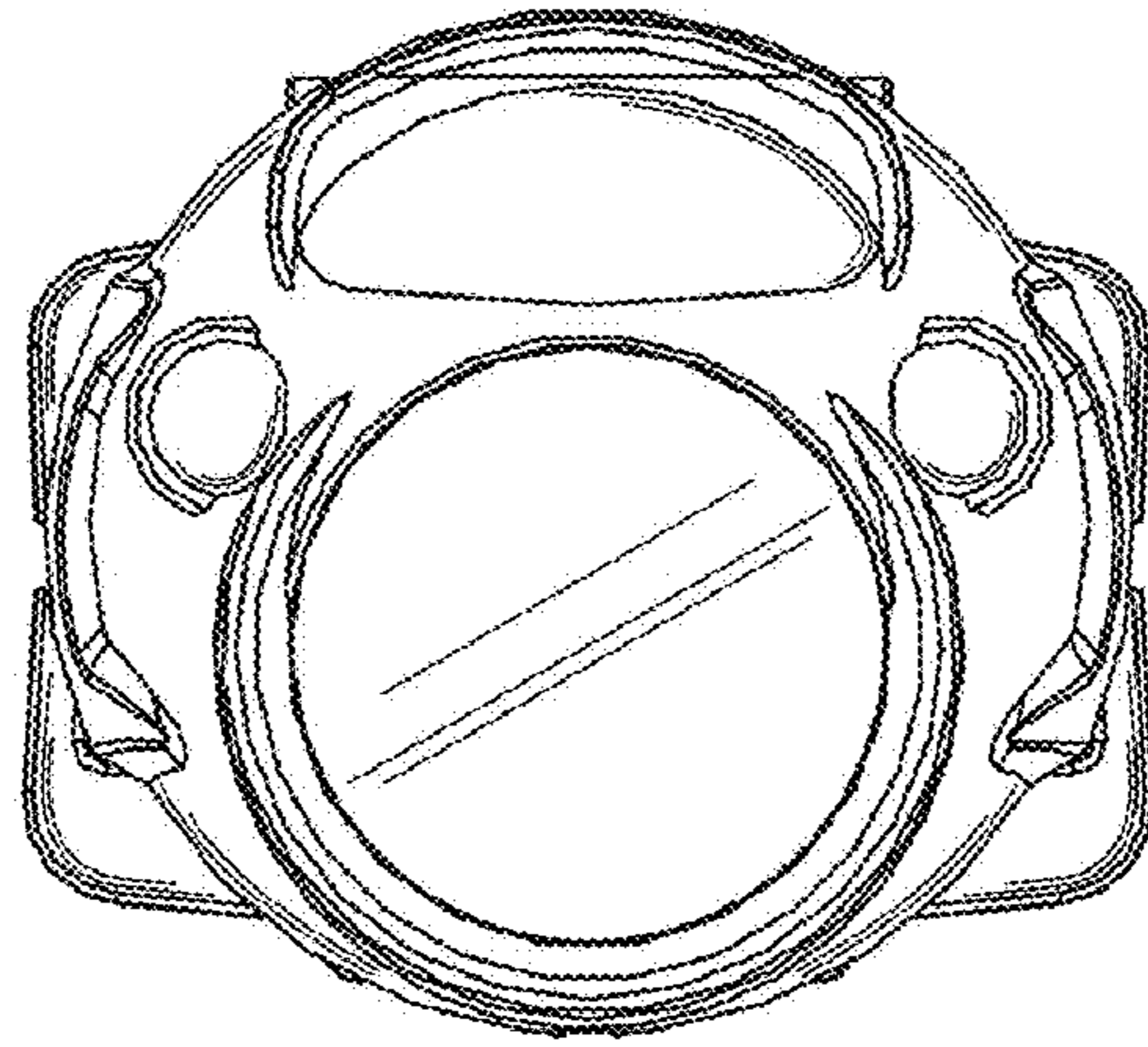


FIG. 1

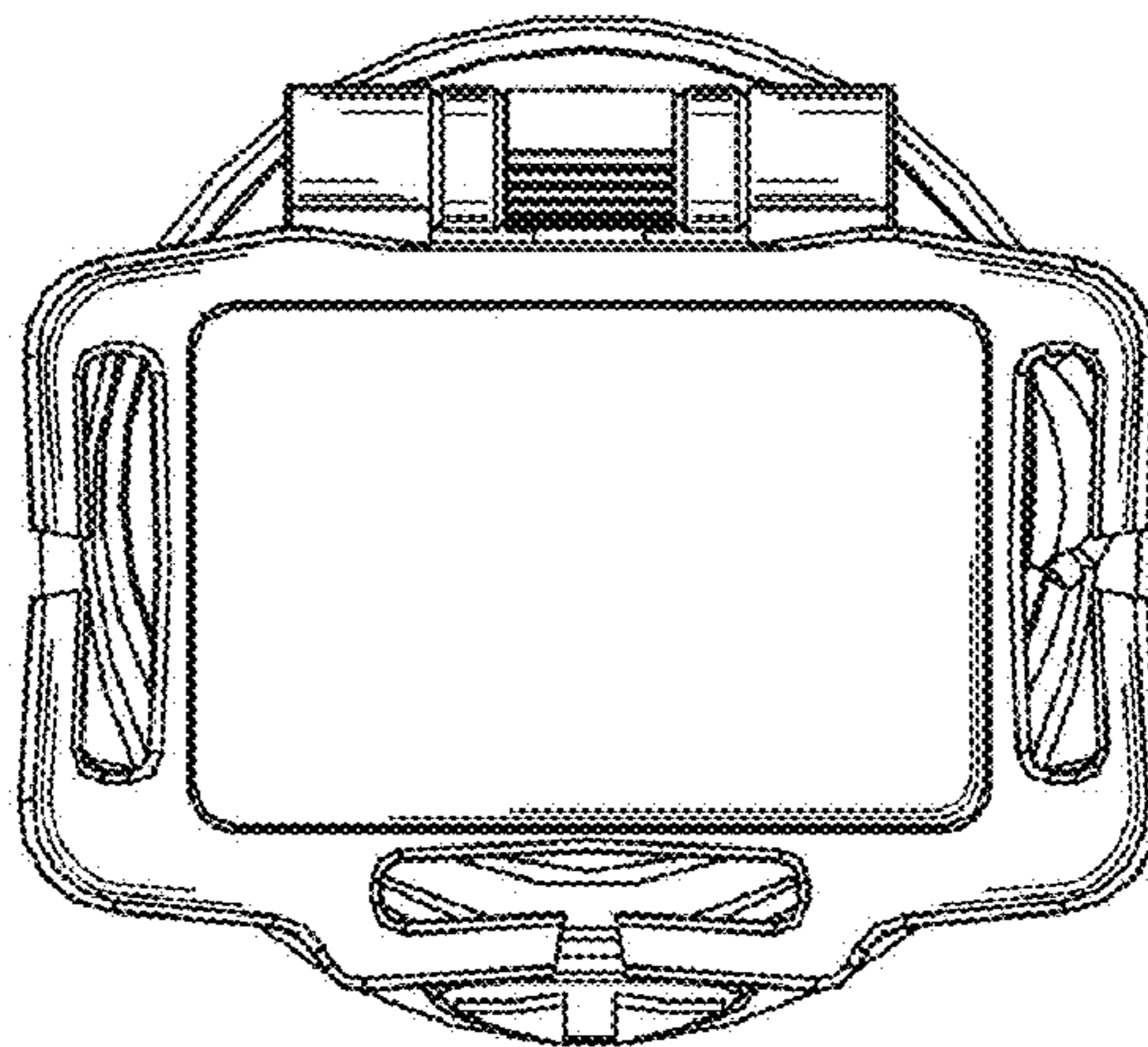


FIG. 2

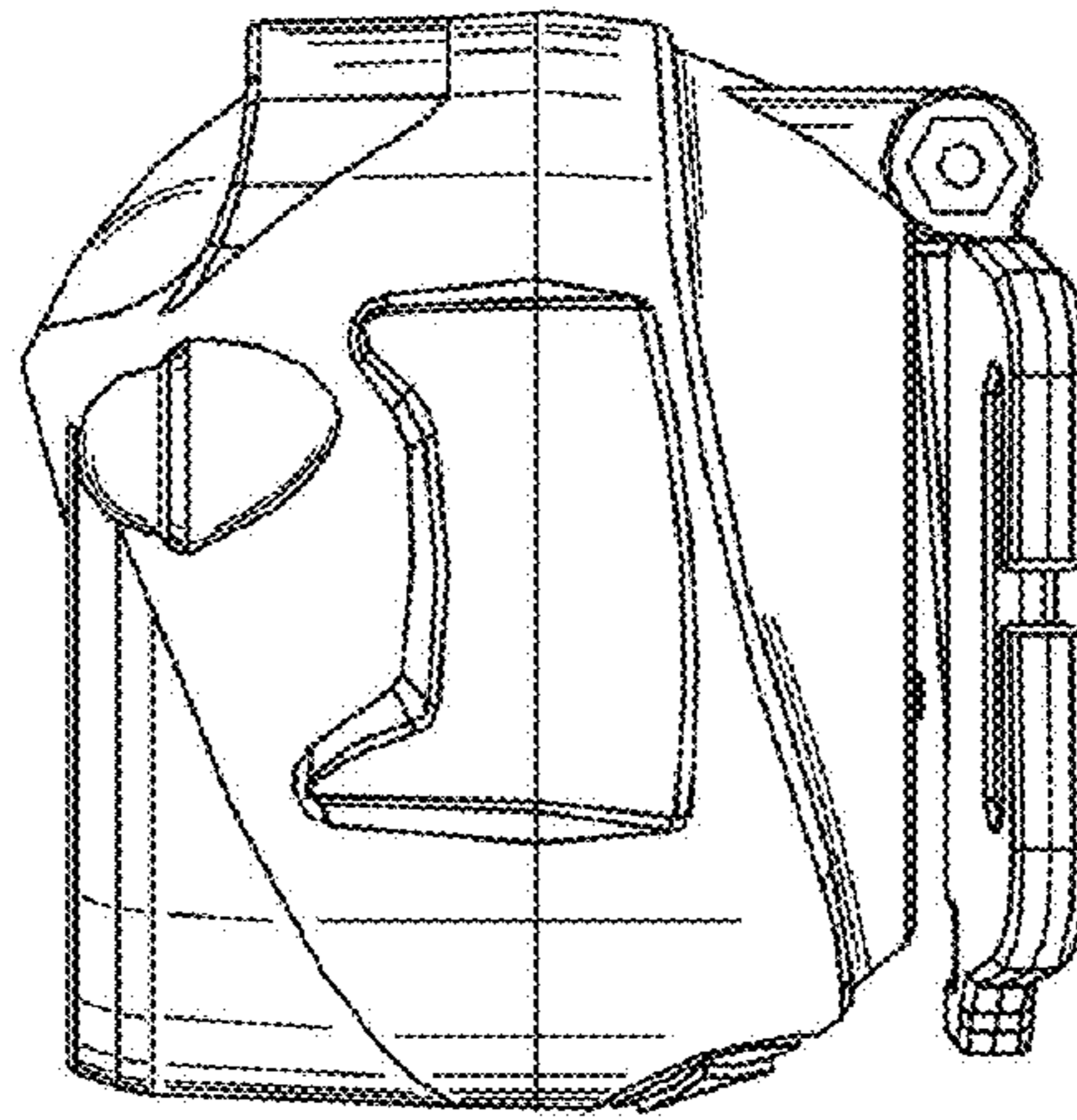


FIG. 3

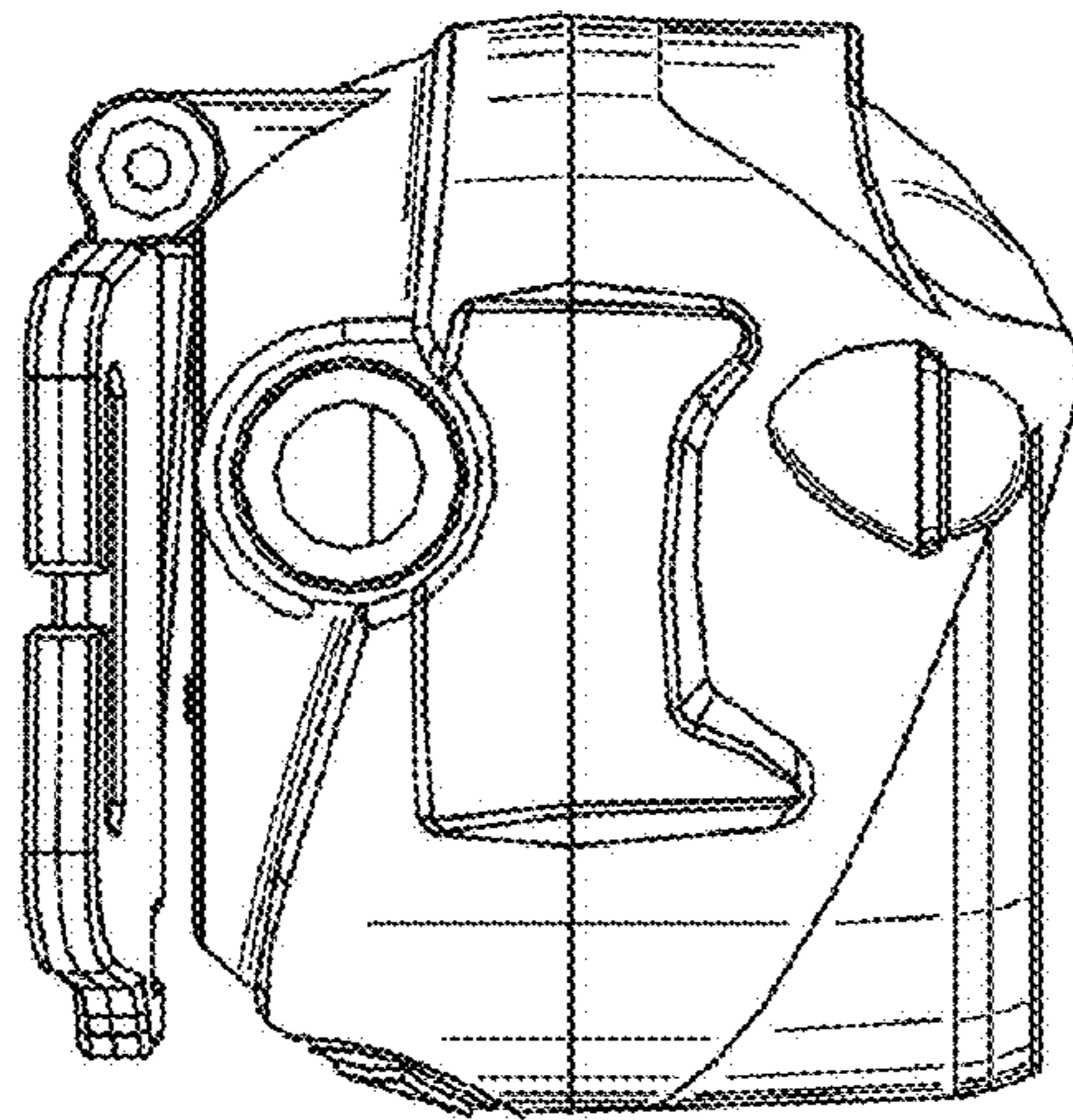


FIG. 4



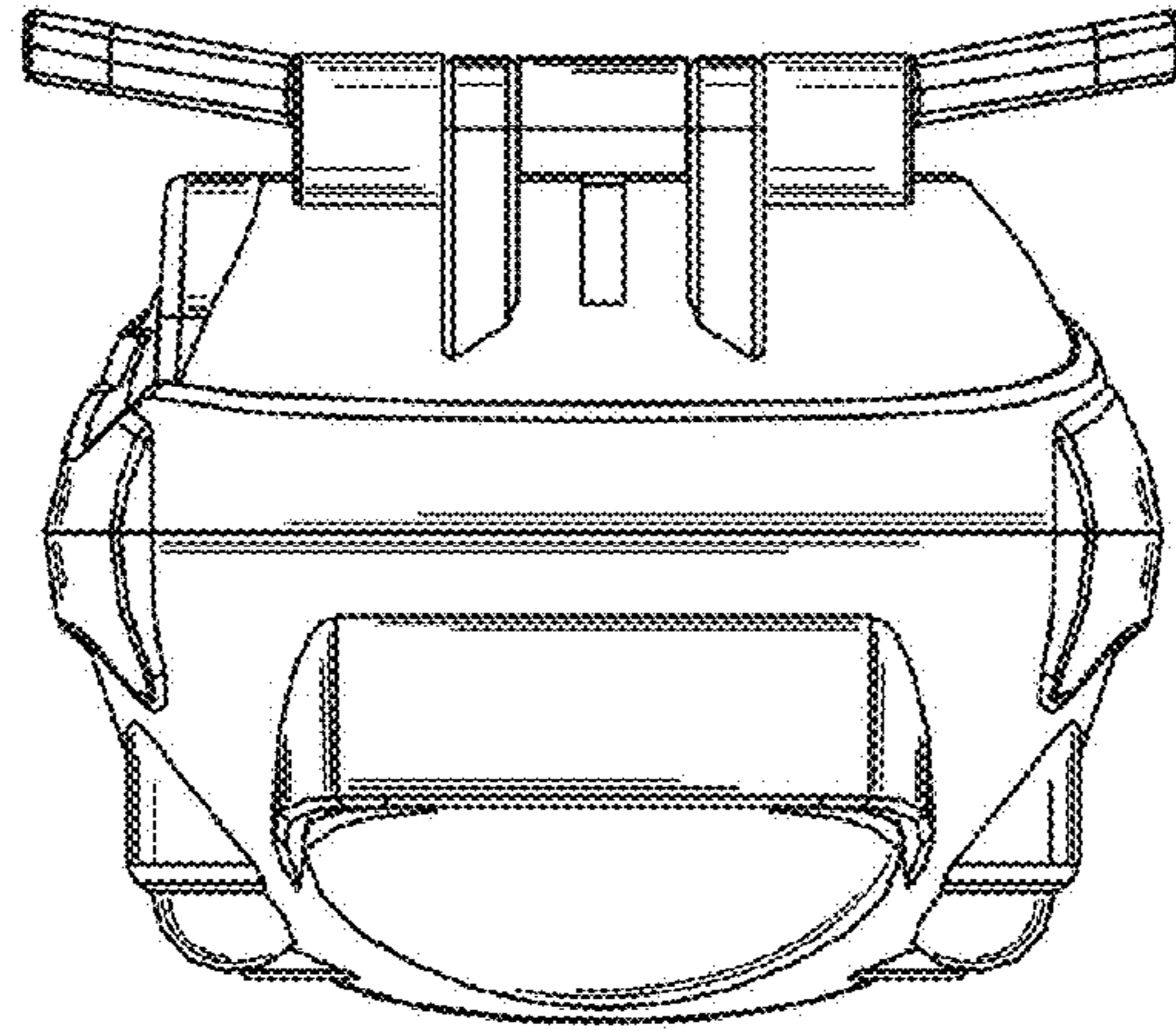


FIG. 5

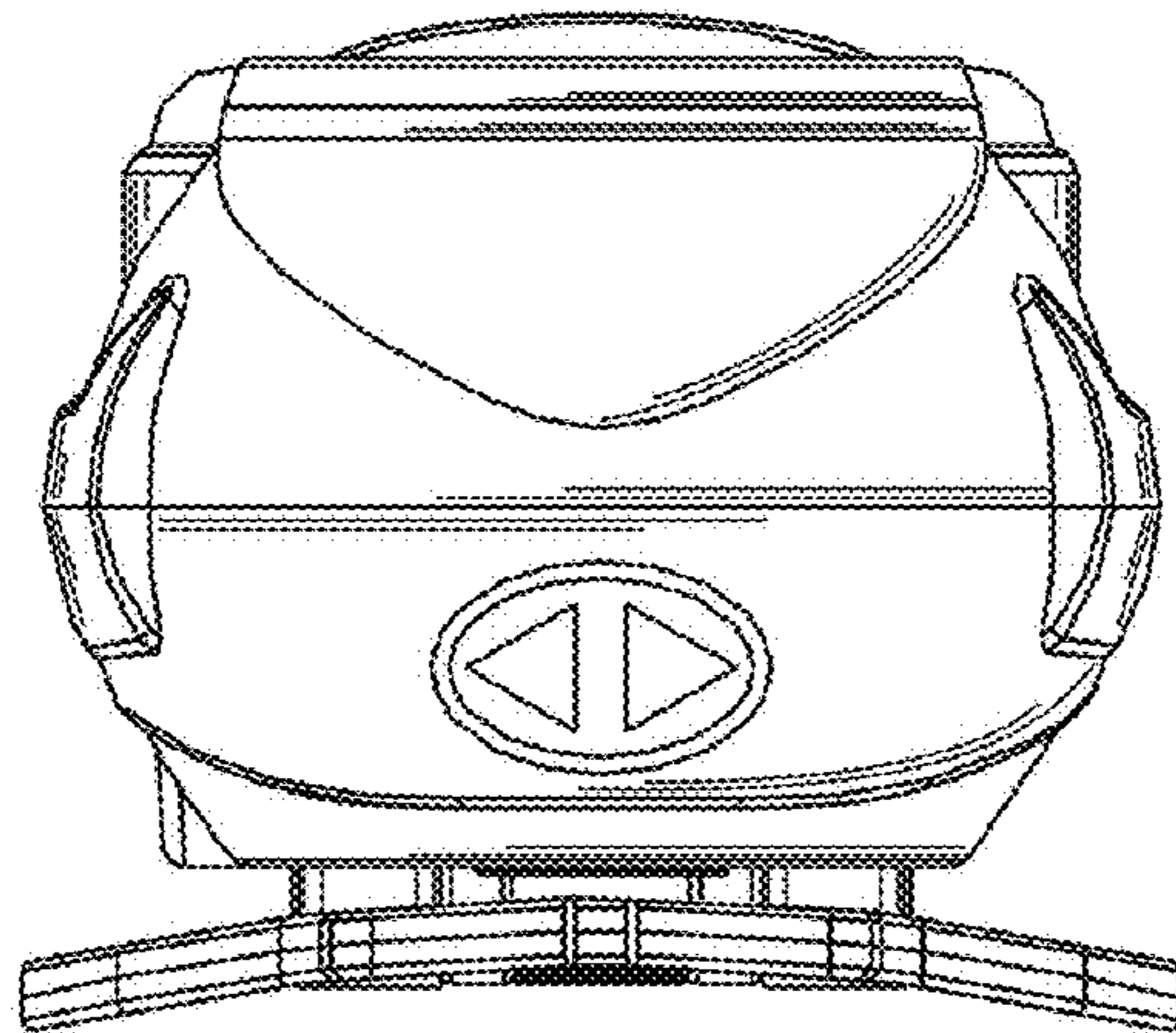
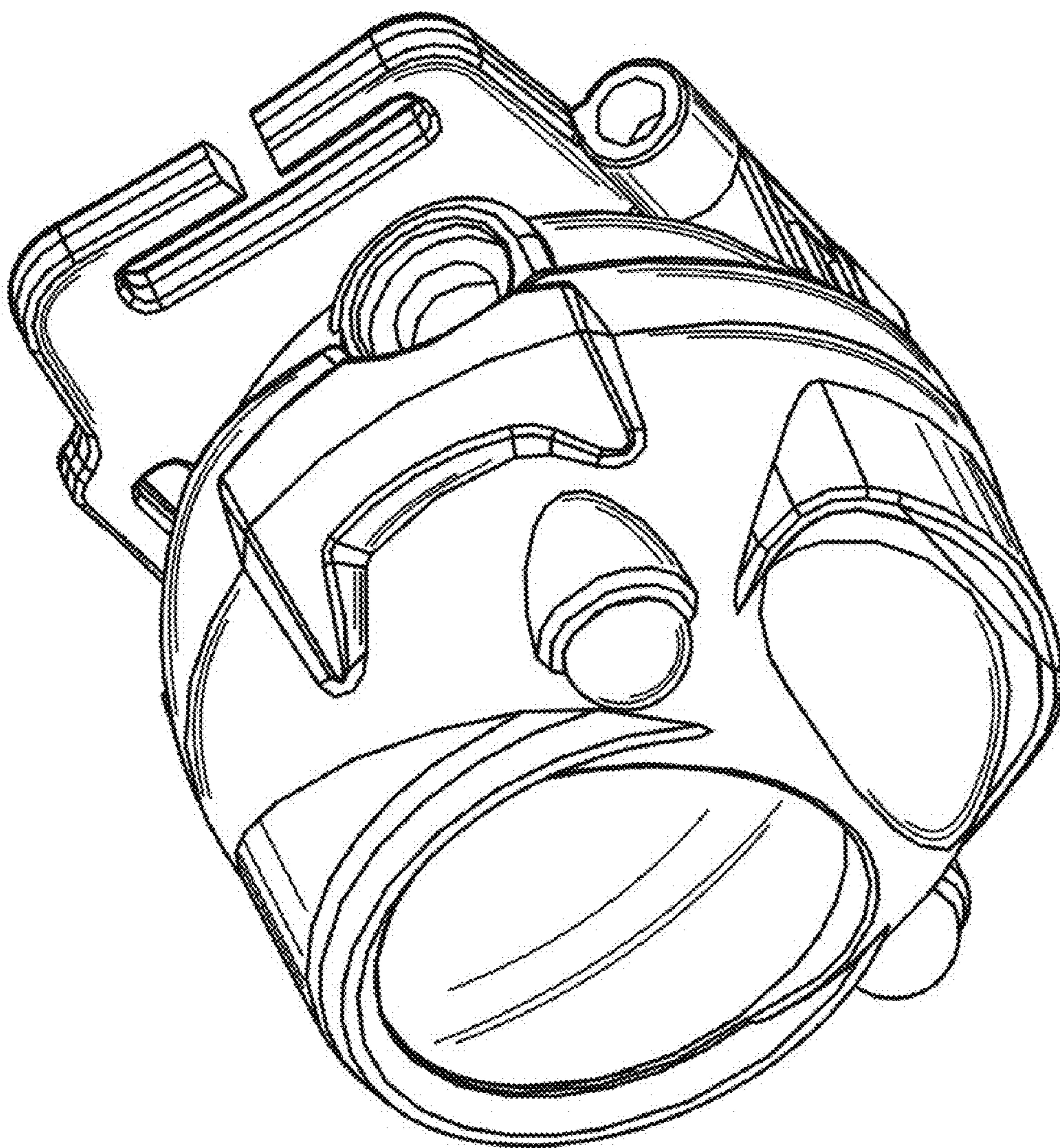


FIG. 6



**FIG. 7**