



US00D547468S

(12) **United States Design Patent**  
**Horenziak et al.**

(10) **Patent No.:** **US D547,468 S**

(45) **Date of Patent:** **\*\* Jul. 24, 2007**

(54) **CANDLE**

(75) Inventors: **Steven Anthony Horenziak**, Cincinnati, OH (US); **Matthew Davis Bantly**, Cincinnati, OH (US)

(73) Assignee: **The Procter & Gamble Company**, Cincinnati, OH (US)

(\*\*) Term: **14 Years**

(21) Appl. No.: **29/266,585**

(22) Filed: **Sep. 25, 2006**

(51) **LOC (8) Cl.** ..... **26-01**

(52) **U.S. Cl.** ..... **D26/6**

(58) **Field of Classification Search** ..... D26/6-12,  
D26/20-23; 431/283-292, 125, 126, 295-297;  
D7/584

See application file for complete search history.

(56) **References Cited**

**U.S. PATENT DOCUMENTS**

D130,737 S *	12/1941	Balk	.....	D26/7
D132,868 S *	6/1942	Sawyer	.....	D26/9
2,323,804 A *	7/1943	Driscoll	.....	431/288
4,332,548 A *	6/1982	Linton et al.	.....	431/289
D304,536 S *	11/1989	Blaser	.....	D7/584
D357,085 S *	4/1995	Ratia	.....	D26/10
D391,118 S *	2/1998	J.o slashed.rgensen	.....	D7/586
D394,513 S *	5/1998	Davis	.....	D26/6
D397,462 S *	8/1998	Hollinger	.....	D26/20
6,066,329 A *	5/2000	Morrison et al.	.....	431/288
6,241,512 B1	6/2001	Freeman et al.		
D459,498 S *	6/2002	Araujo	.....	D26/6

6,447,732 B1 *	9/2002	West	.....	431/289
6,802,707 B2 *	10/2004	Furner et al.	.....	431/292
2003/0104330 A1	6/2003	Joyner		

**OTHER PUBLICATIONS**

U.S. Appl. No. 29/266,593, filed Sep. 25, 2006, Horenziak et al.  
U.S. Appl. No. 29/266,583, filed Sep. 25, 2006, Horenziak et al.  
www.candlewic.com/candle-making-newsletter/0106.asp—Jan. 2006  
How to Make Candles, Candle Making Newsletter, printed Sep. 25, 2006, 7 pages.

\* cited by examiner

*Primary Examiner*—Louis S. Zarfaz

*Assistant Examiner*—Gregory Andoll

(74) *Attorney, Agent, or Firm*—Julia A. Glazer; Kim William Zerby

(57) **CLAIM**

The ornamental design for a candle, as shown and described.

**DESCRIPTION**

FIG. 1 is a perspective view of a candle.

FIG. 2 is a front view of the candle of FIG. 1.

FIG. 3 is a rear view of the candle of FIG. 1.

FIG. 4 is a left side view of the candle of FIG. 1.

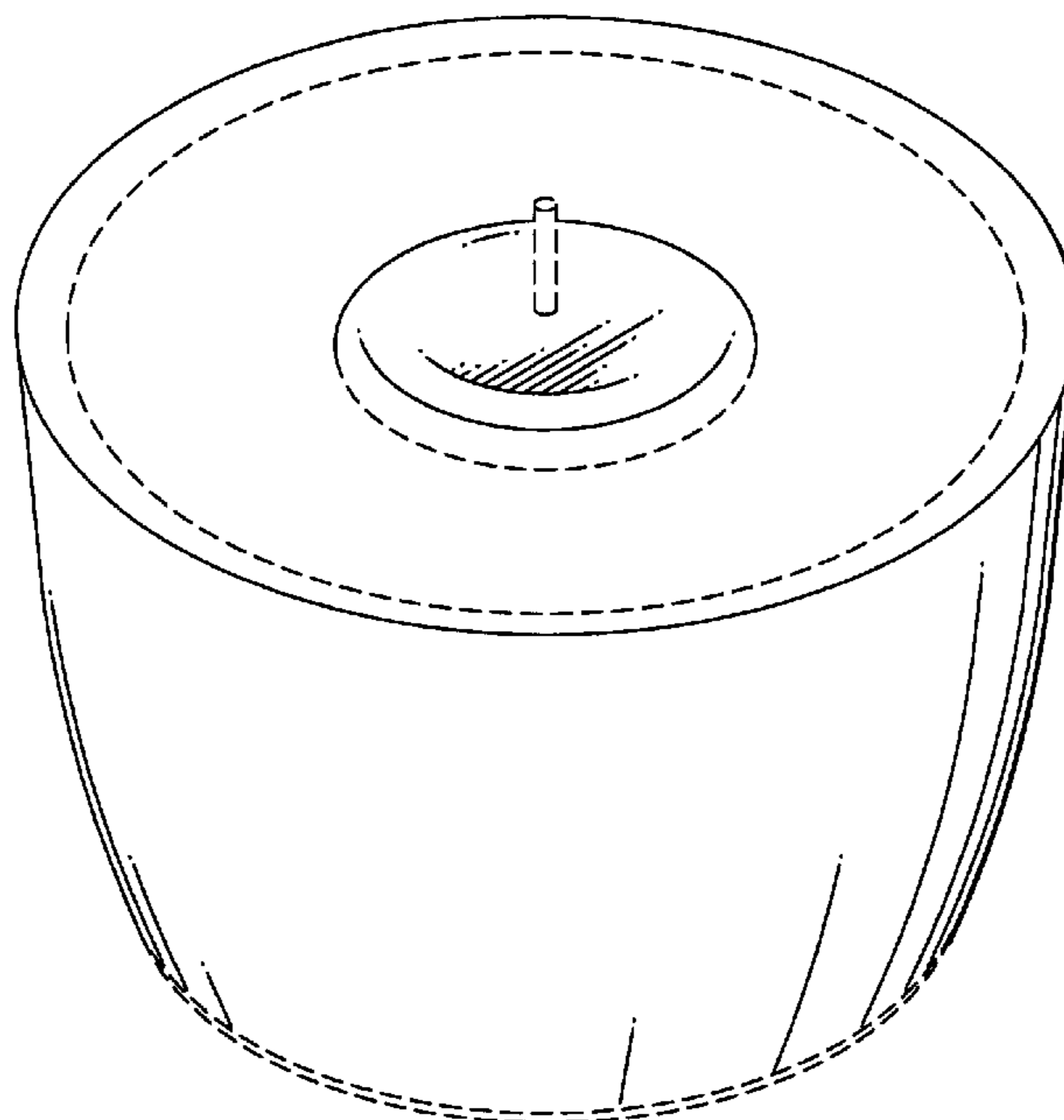
FIG. 5 is a right side view of the candle of FIG. 1.

FIG. 6 is a top view of the candle of FIG. 1; and,

FIG. 7 is a bottom view of the candle of FIG. 1.

The broken line showing of environmental structure in FIGS. 1-7, is for illustrative purposes only and forms no part of the claimed design.

**1 Claim, 4 Drawing Sheets**



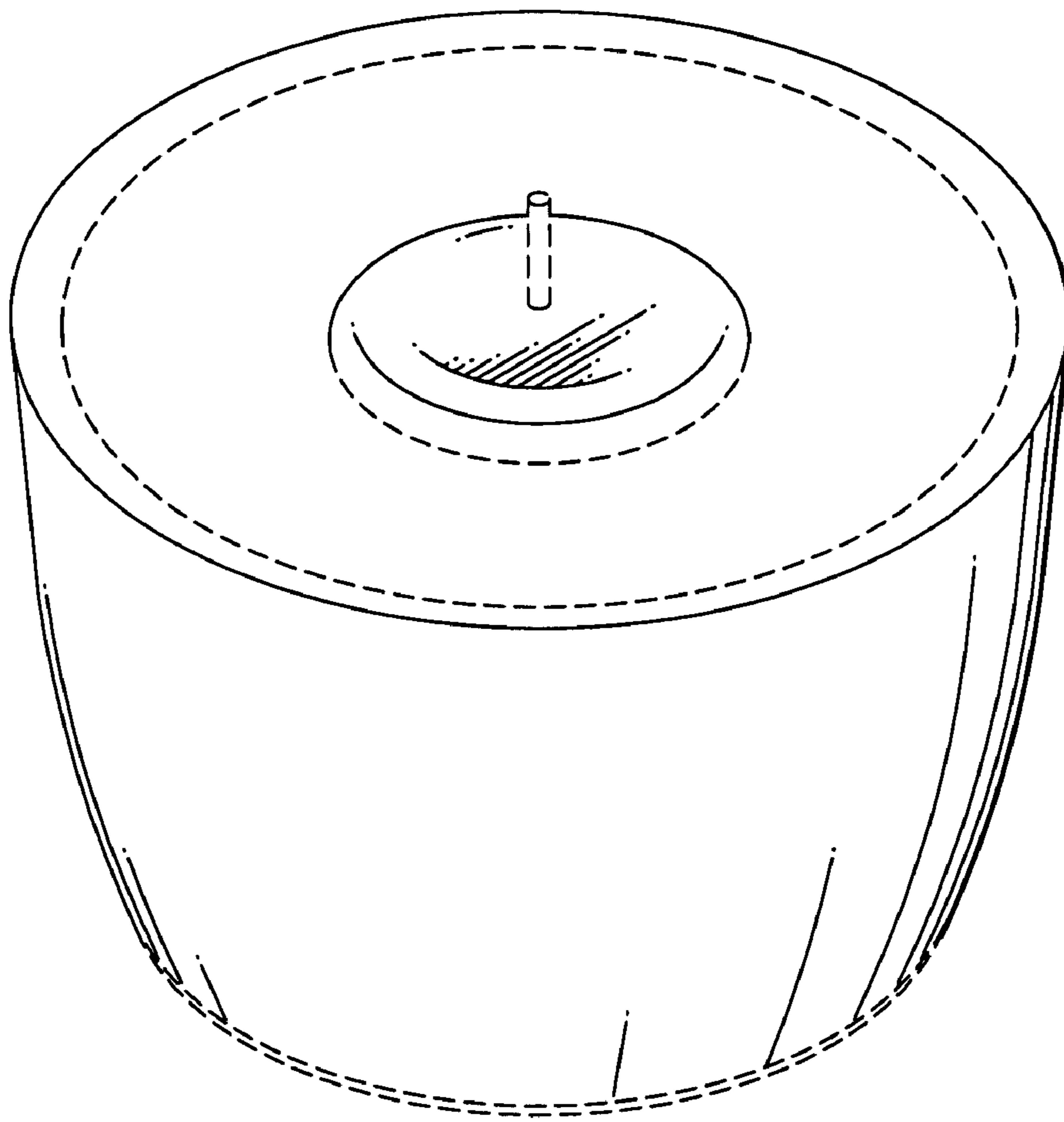


FIG. 1

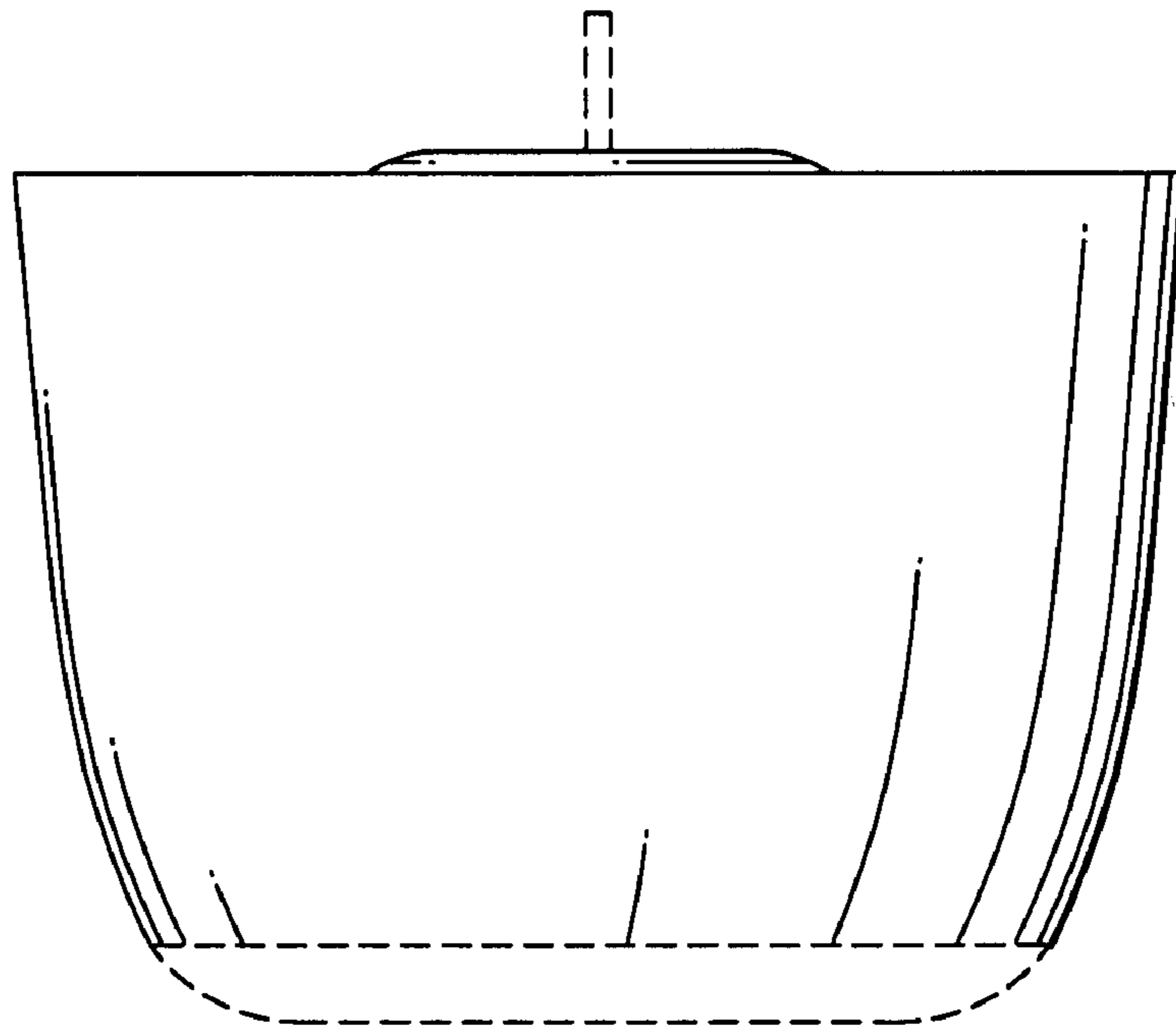


FIG. 2

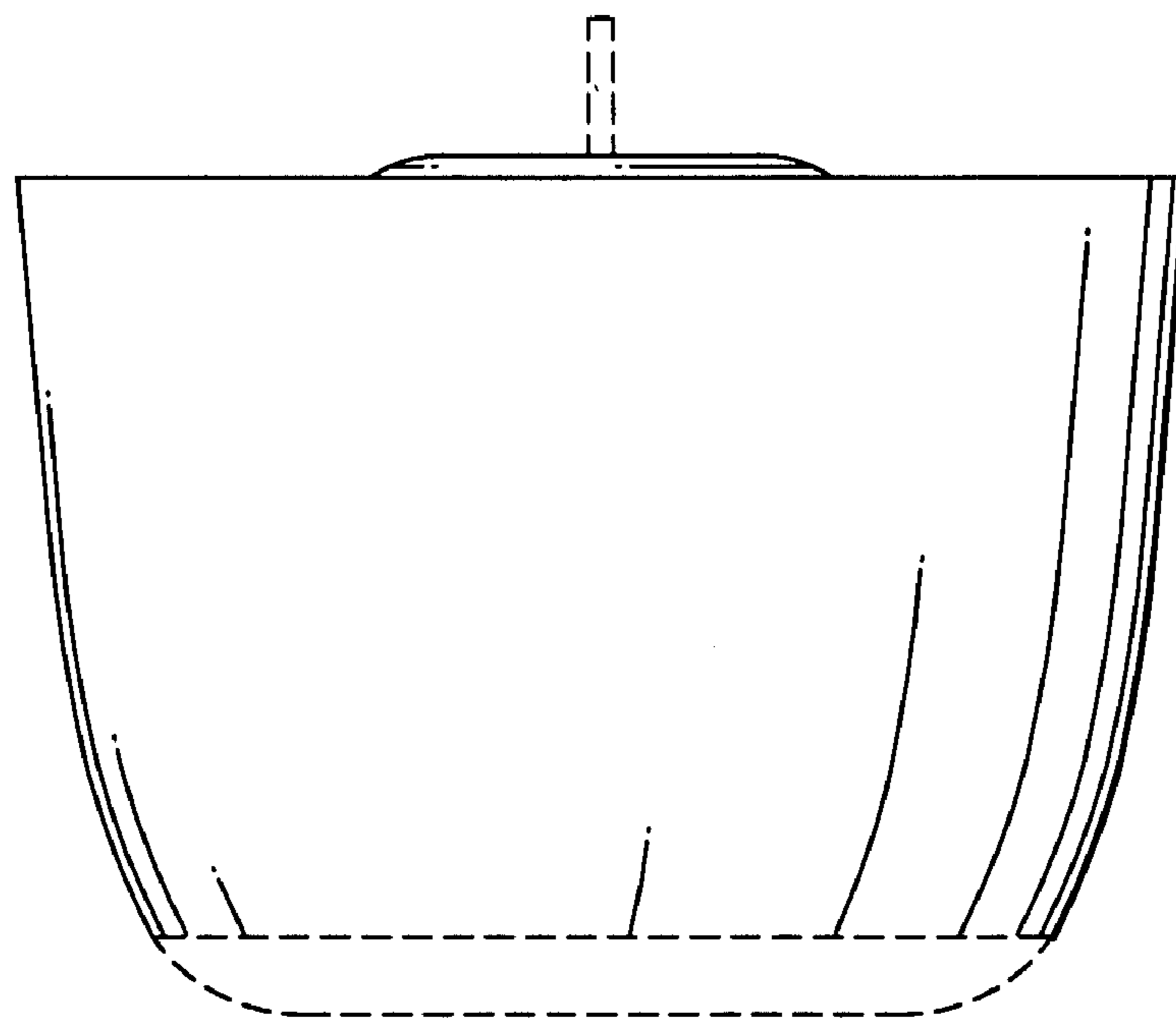


FIG. 3

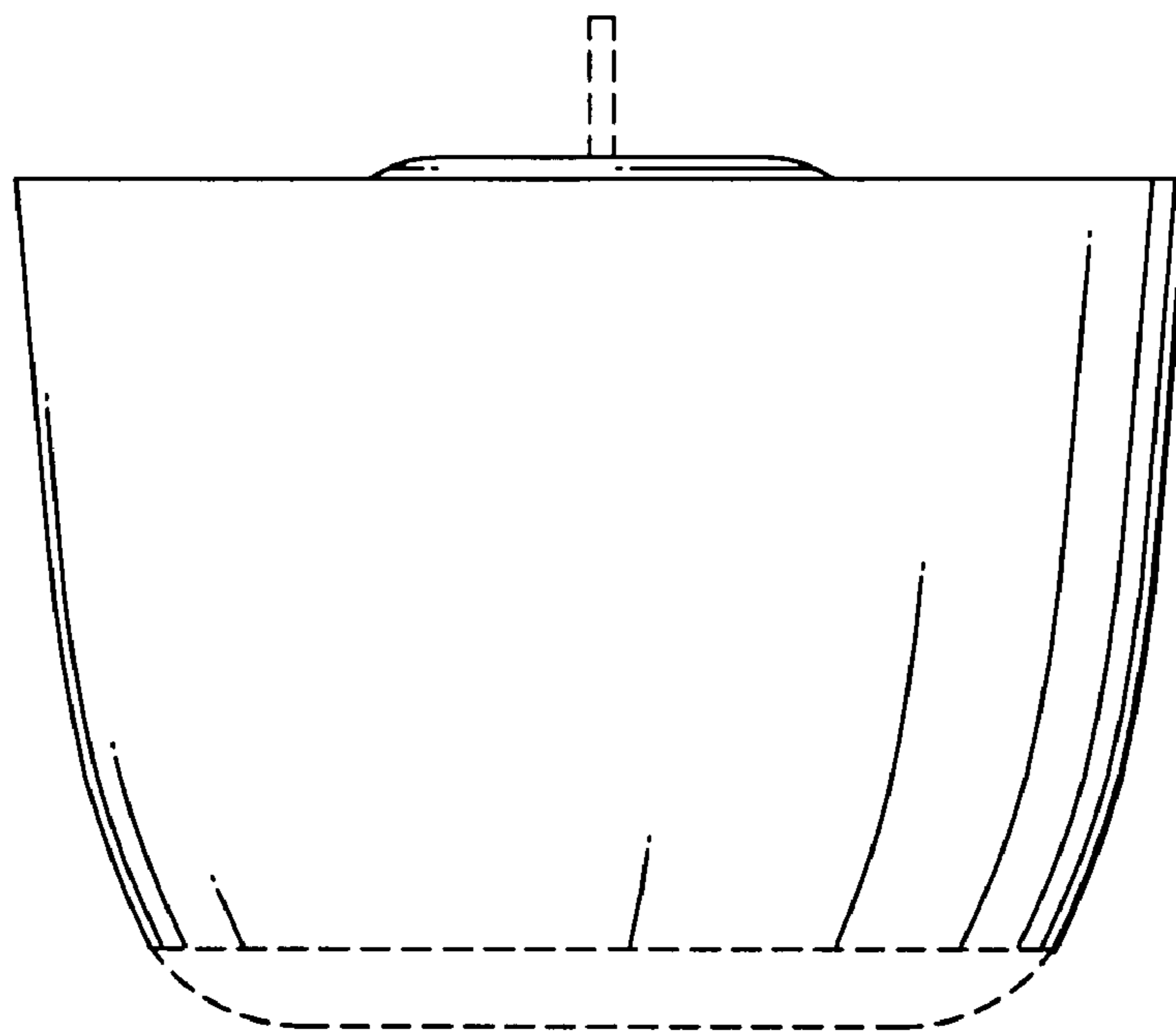


FIG. 4

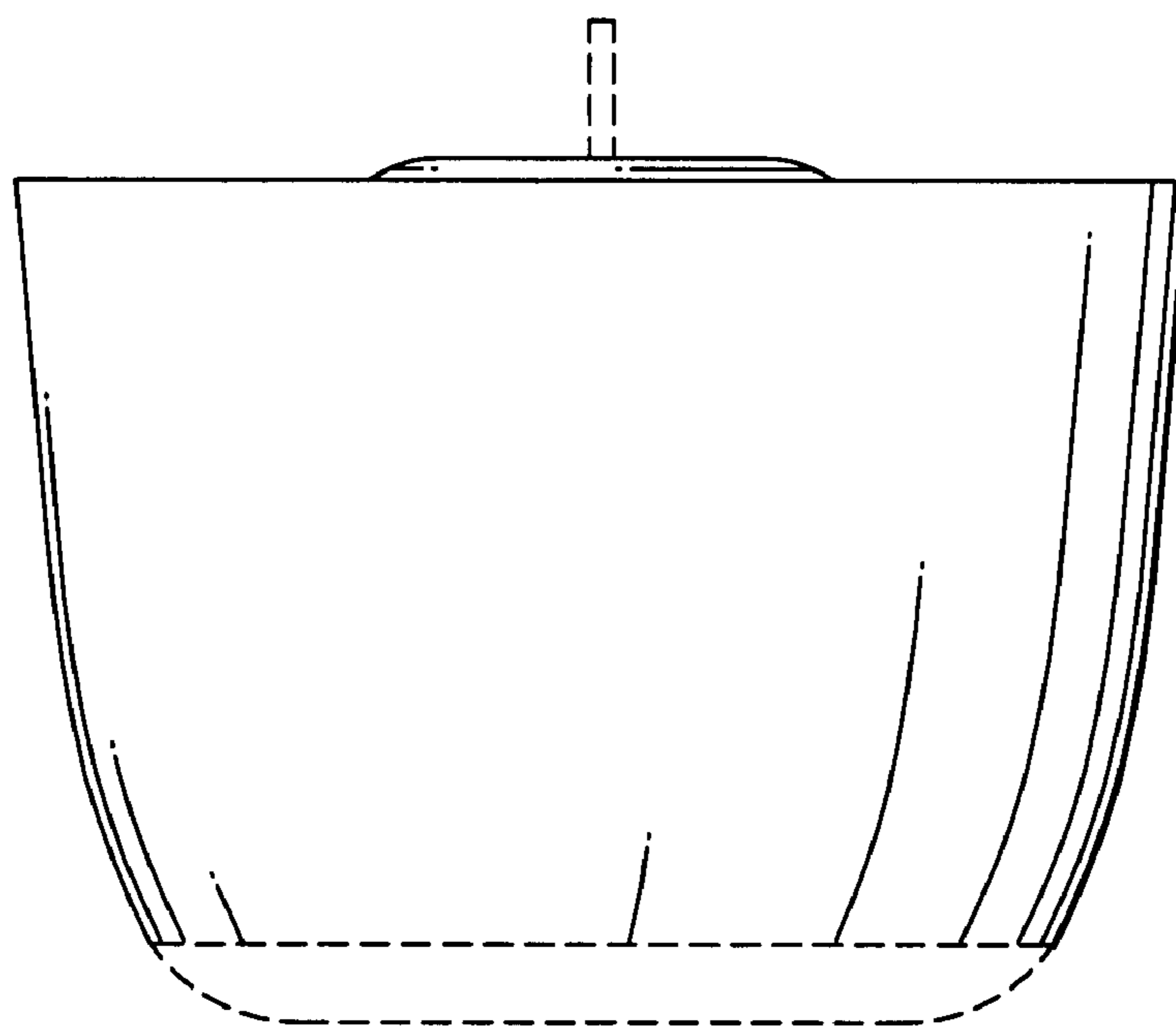


FIG. 5

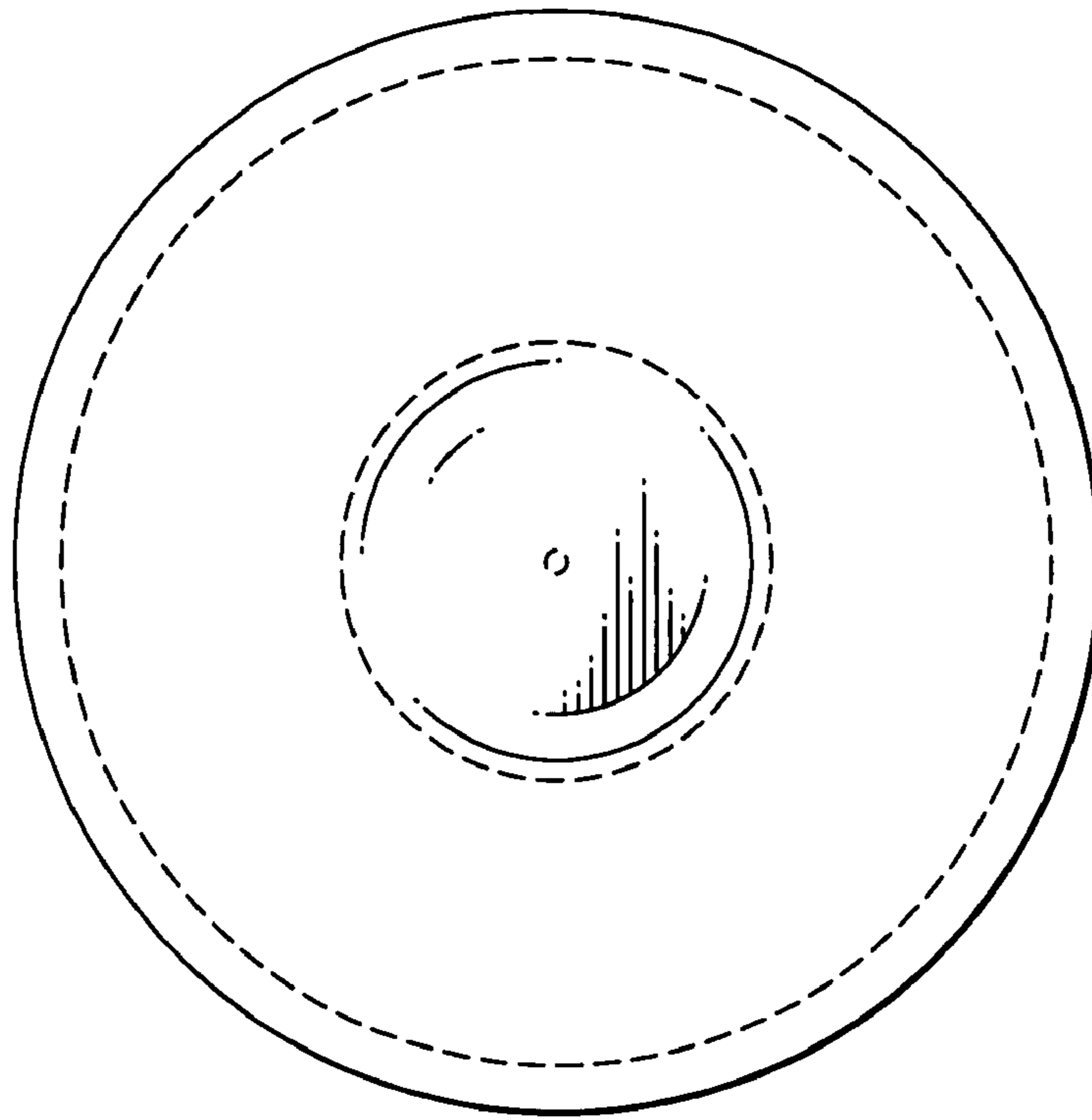


FIG. 6

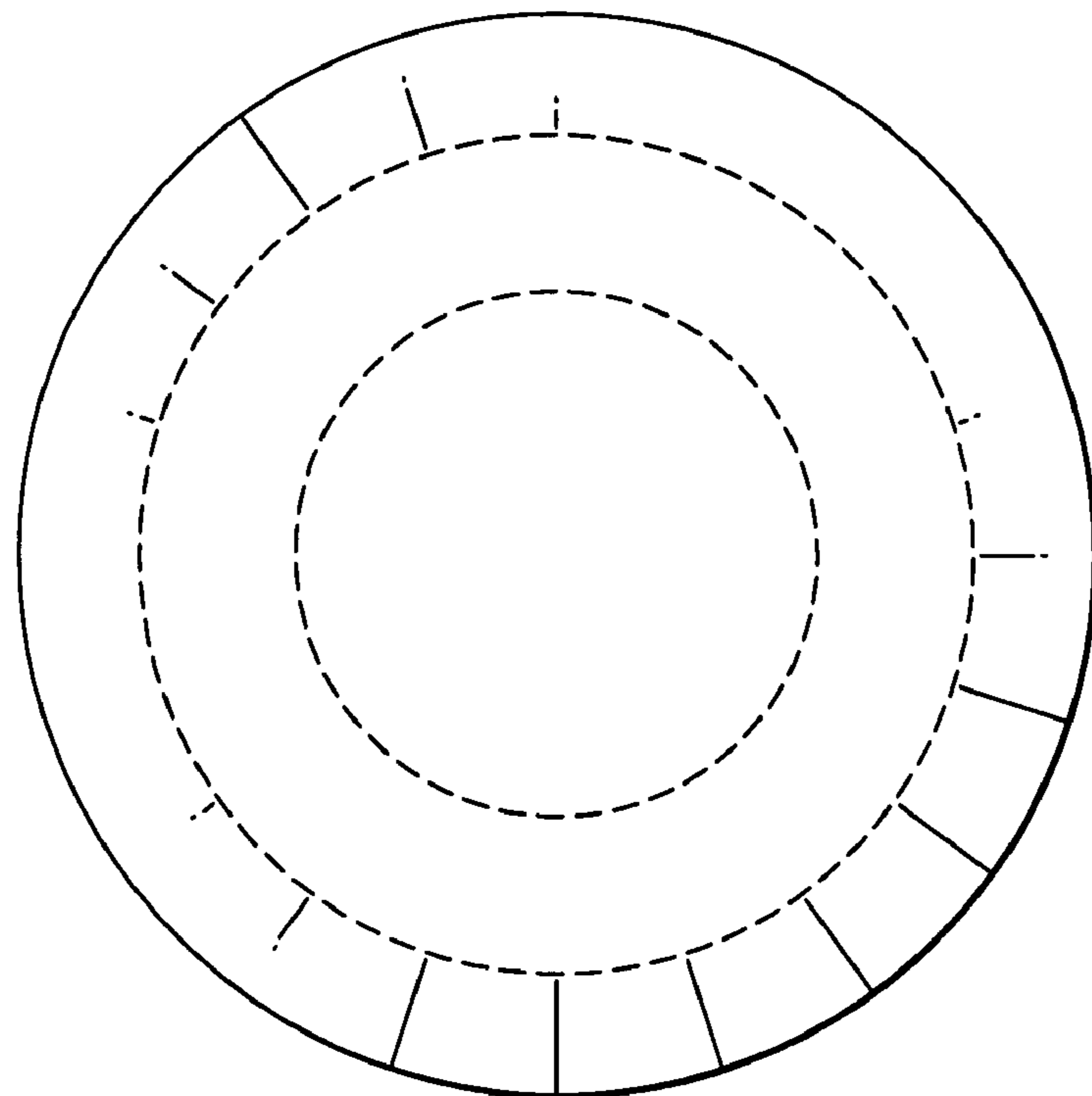


FIG. 7