



US00D547467S

(12) **United States Design Patent**  
**Horenziak et al.**

(10) **Patent No.:** **US D547,467 S**  
(45) **Date of Patent:** **\*\* Jul. 24, 2007**

(54) **CANDLE AND CONTAINER**

(75) Inventors: **Steven Anthony Horenziak**, Cincinnati, OH (US); **Matthew Davis Bantly**, Cincinnati, OH (US); **Demetrius Michael Romanos**, Cincinnati, OH (US); **Tony Christopher Siebel**, Cincinnati, OH (US)

(73) Assignee: **The Procter & Gamble Company**, Cincinnati, OH (US)

(\*\*) Term: **14 Years**

(21) Appl. No.: **29/266,583**

(22) Filed: **Sep. 25, 2006**

(51) **LOC (8) Cl.** ..... **26-01**

(52) **U.S. Cl.** ..... **D26/6; D26/9**

(58) **Field of Classification Search** ..... D26/6-12, D26/20-23; 431/288-292, 125, 126, 295-297; D7/584

See application file for complete search history.

(56) **References Cited**

**U.S. PATENT DOCUMENTS**

D130,737 S \* 12/1941 Balk ..... D26/7

(Continued)

**OTHER PUBLICATIONS**

U.S. Appl. No. 29/266,585, filed Sep. 25, 2006, Horenziak et al.  
U.S. Appl. No. 29/266,593, filed Sep. 25, 2006, Horenziak et al.  
[www.candlewic.com/candle-making-newsletter/0106.asp](http://www.candlewic.com/candle-making-newsletter/0106.asp)—Jan. 2006  
How to Make Candles, Candle Making Newsletter, printed Sep. 25, 2006, 7 pages.

*Primary Examiner*—Louis S. Zarfaz  
*Assistant Examiner*—Gregory Andoll

(74) *Attorney, Agent, or Firm*—Julia A. Glazer; Kim William Zerby

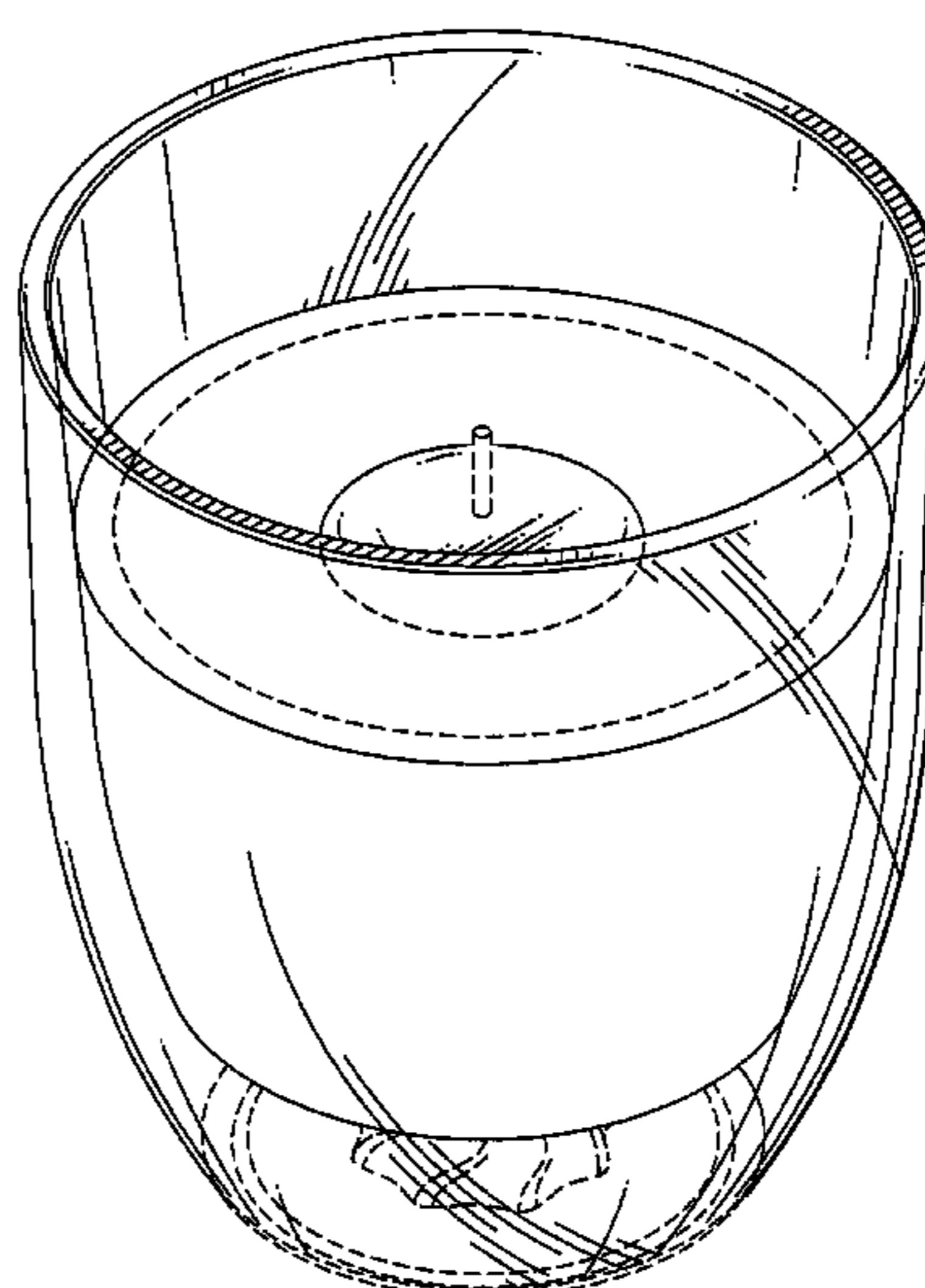
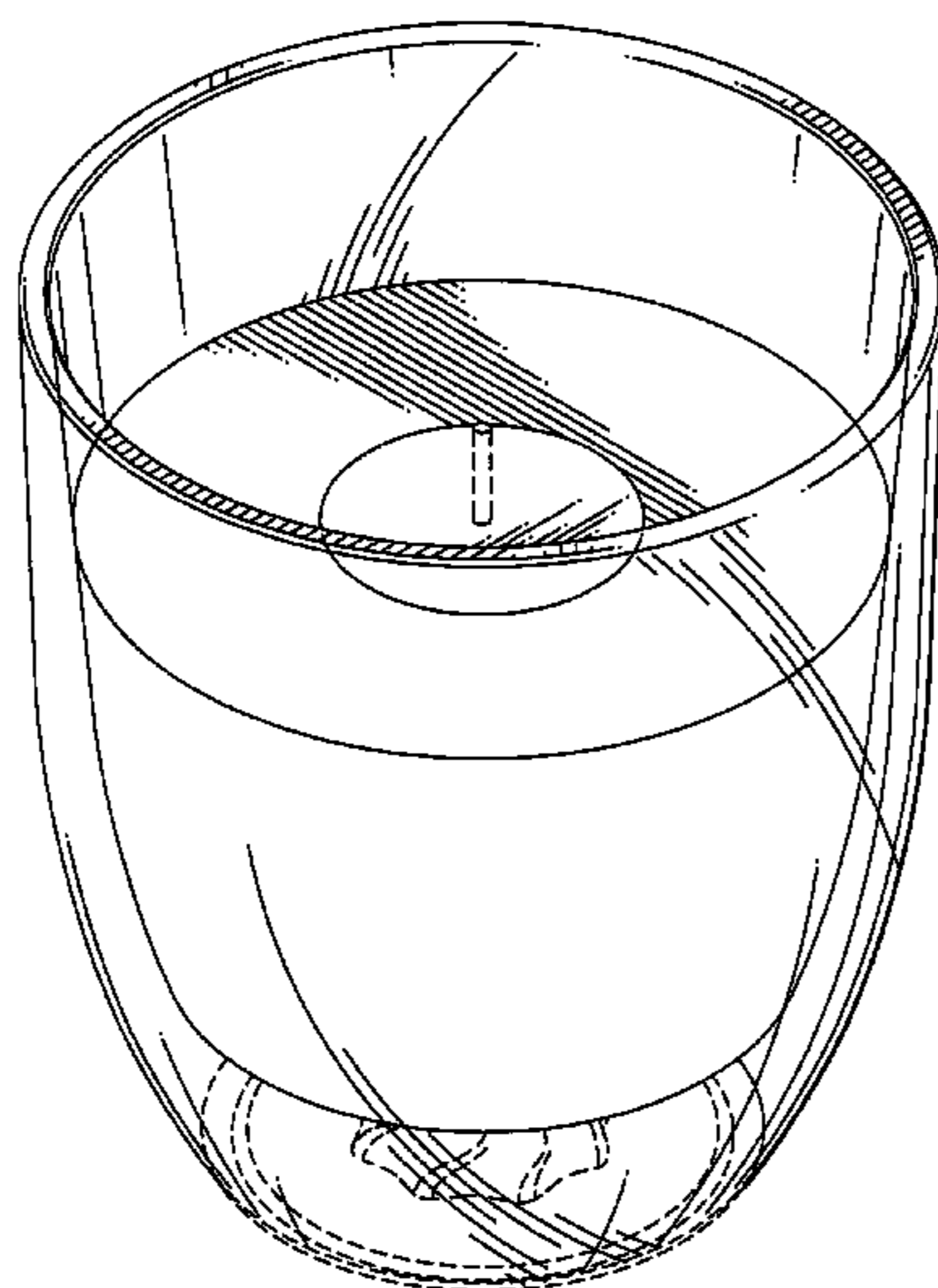
(57) **CLAIM**

The ornamental design for a candle and container, as shown and described.

**DESCRIPTION**

FIG. 1 is a perspective view of a candle and container.  
FIG. 2 is a front view of the candle and container of FIG. 1.  
FIG. 3 is a rear view of the candle and container of FIG. 1.  
FIG. 4 is a left side view of the candle and container of FIG. 1.  
FIG. 5 is a right side view of the candle and container of FIG. 1.  
FIG. 6 is a top view of the candle and container of FIG. 1.  
FIG. 7 is a bottom view of the candle and container of FIG. 1.  
FIG. 8 is a perspective view of another embodiment of a candle and container.  
FIG. 9 is a front view of the candle and container of FIG. 8.  
FIG. 10 is a rear view of the candle and container of FIG. 8.  
FIG. 11 is a left side view of the candle and container of FIG. 8.  
FIG. 12 is a right side view of the candle and container of FIG. 8.  
FIG. 13 is a top view of the candle and container of FIG. 8; and,  
FIG. 14 is a bottom view of the candle and container of FIG. 8.  
The broken line showing of environmental structure in FIGS. 1-14 is for illustrative purposes only and forms no part of the claimed design.

**1 Claim, 12 Drawing Sheets**



# US D547,467 S

Page 2

---

## U.S. PATENT DOCUMENTS

D132,868 S *	6/1942	Sawyer .....	D26/9	D397,462 S *	8/1998	Hollinger .....	D26/20
2,323,804 A *	7/1943	Driscoll .....	431/288	6,066,329 A *	5/2000	Morrison et al. ....	431/288
4,332,548 A *	6/1982	Linton et al. ....	431/289	6,241,512 B1	6/2001	Freeman et al.	
D304,536 S *	11/1989	Blaser .....	D7/584	D459,498 S *	6/2002	Araujo .....	D26/6
D357,085 S *	4/1995	Ratia .....	D26/10	6,447,732 B1 *	9/2002	West .....	432/289
D391,118 S *	2/1998	J.o slashed.rgensen .....	D7/586	6,802,707 B2 *	10/2004	Furner et al. ....	431/292
D394,513 S *	5/1998	Davis .....	D26/6	2003/0104330 A1	6/2003	Joyner	

\* cited by examiner

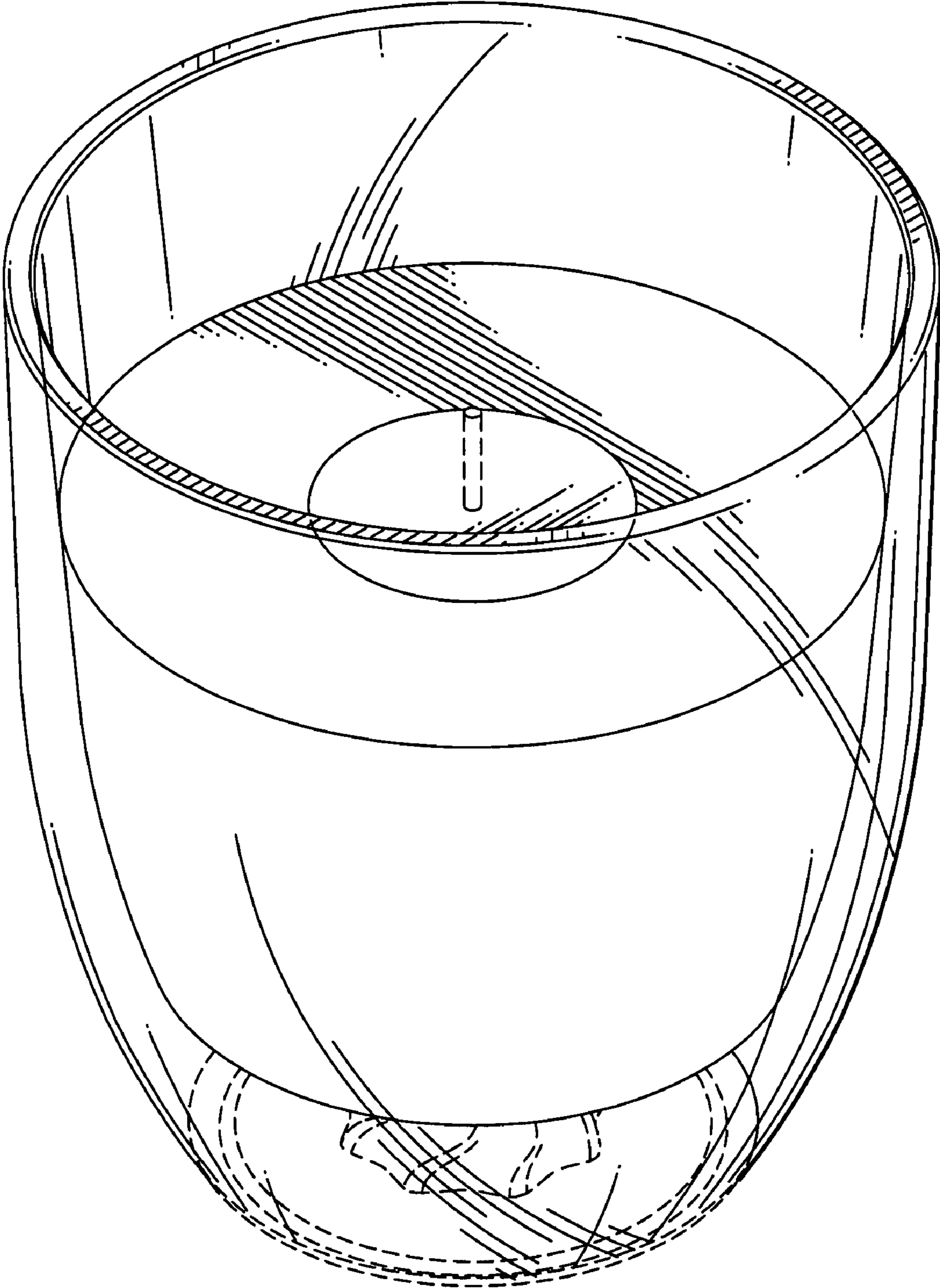


FIG. 1

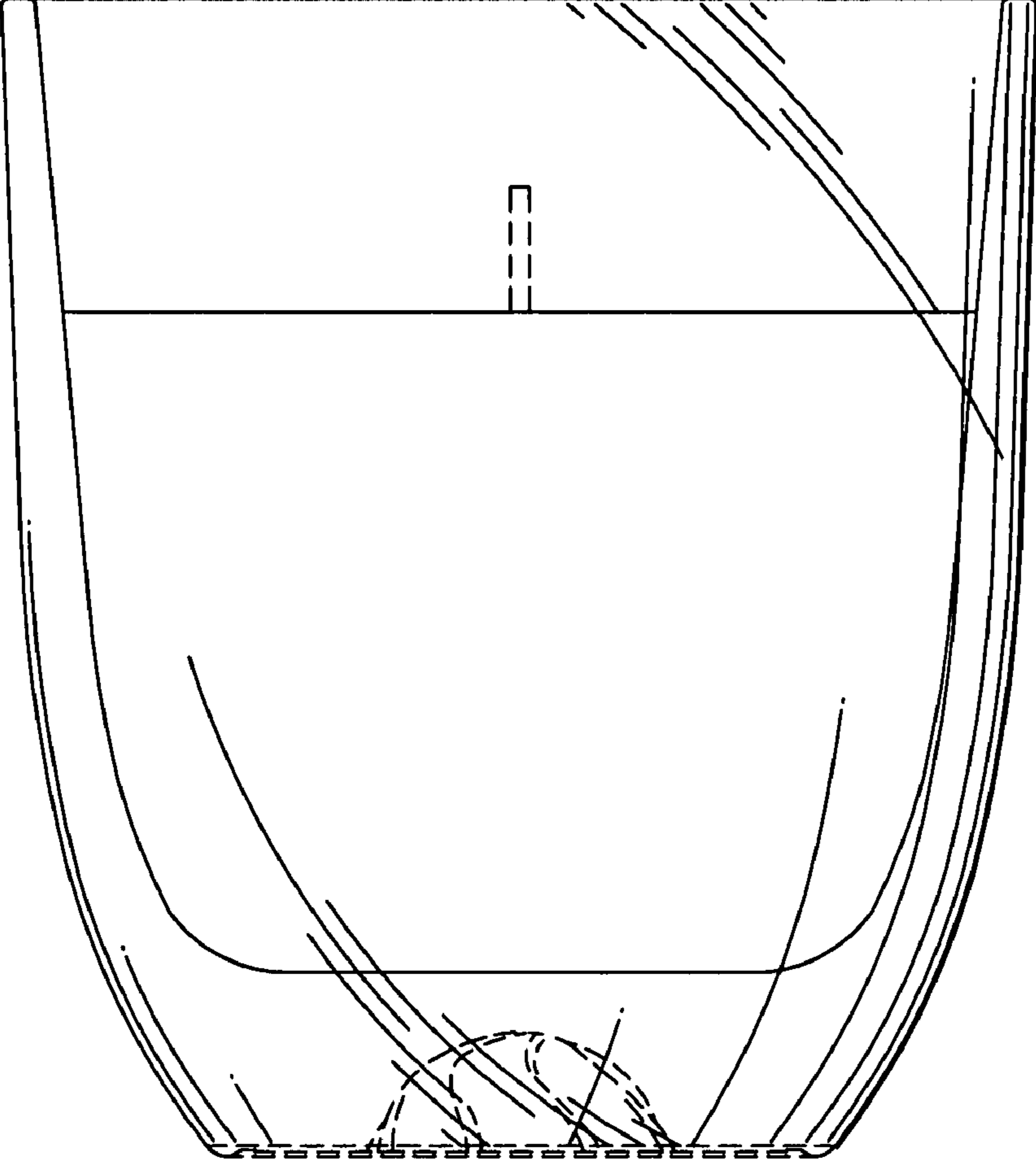


FIG. 2

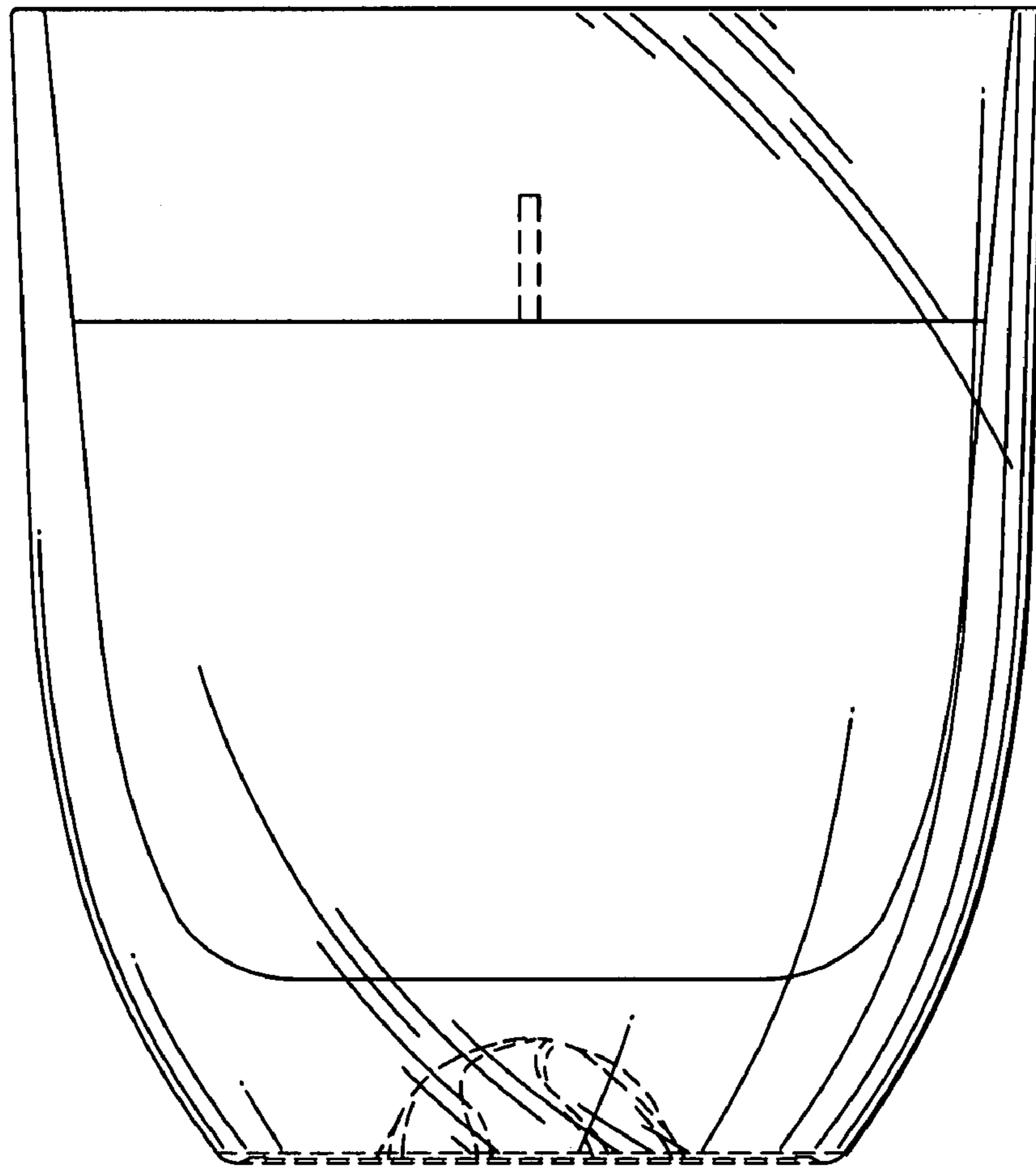


FIG. 3

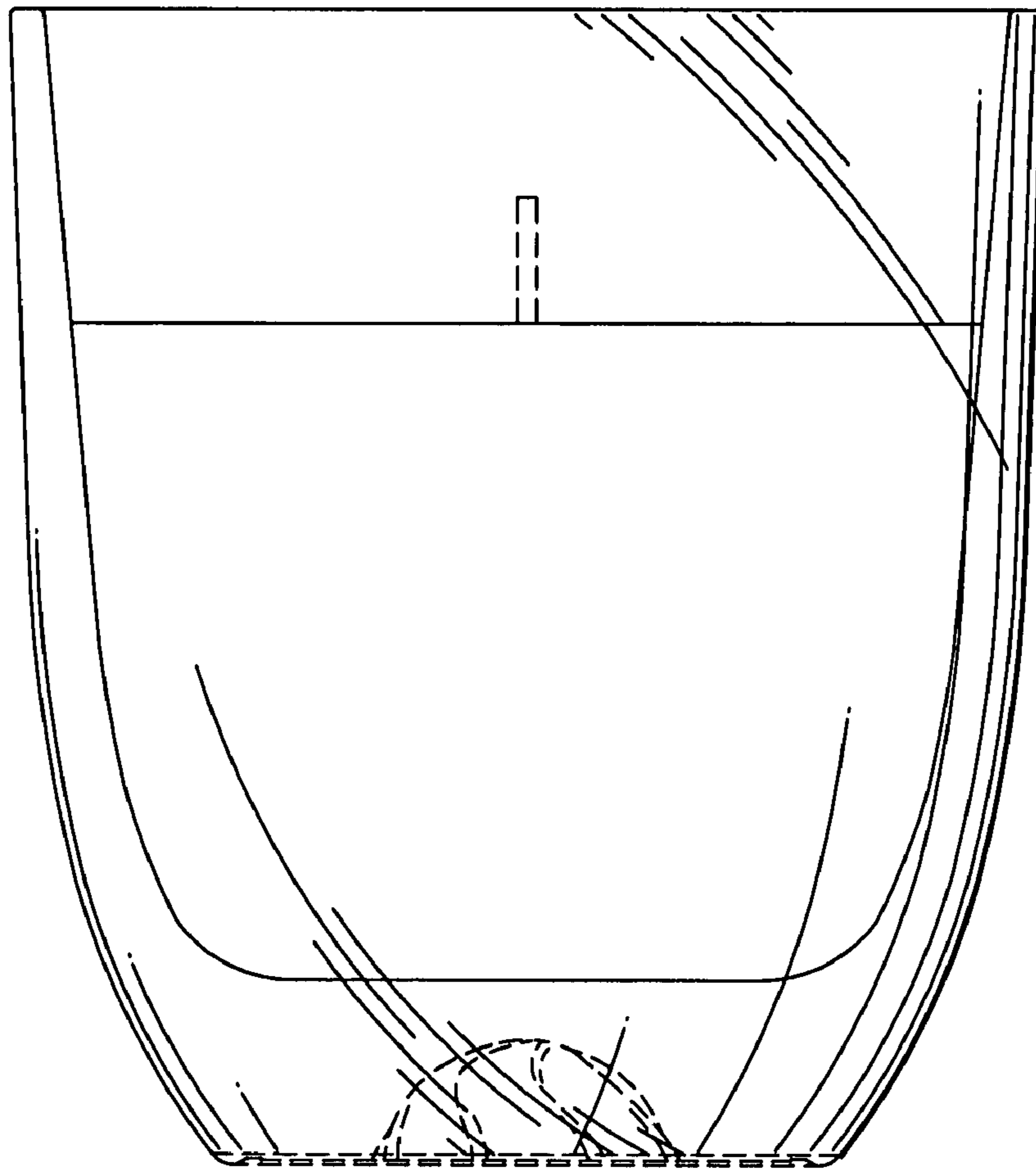


FIG. 4

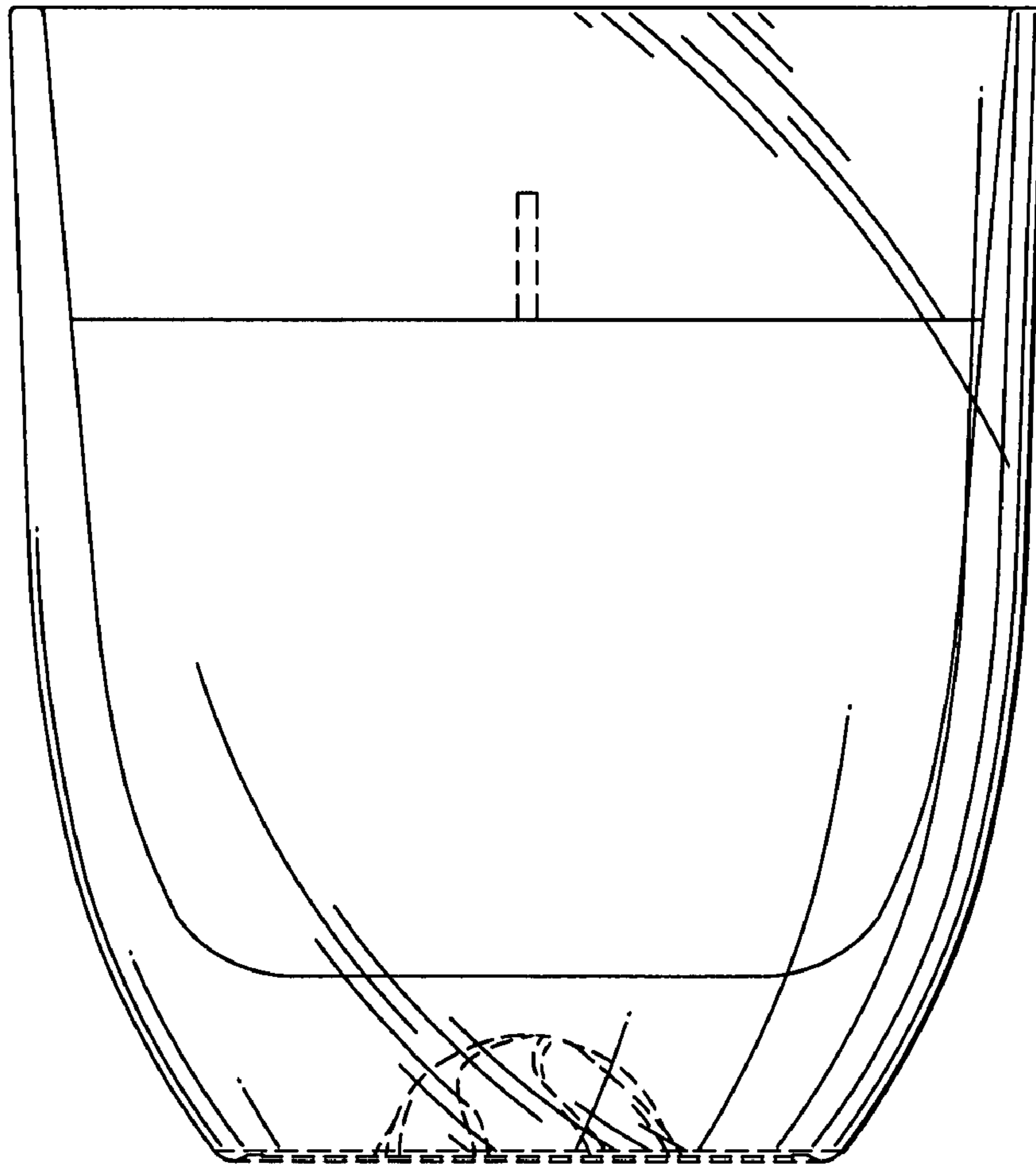


FIG. 5

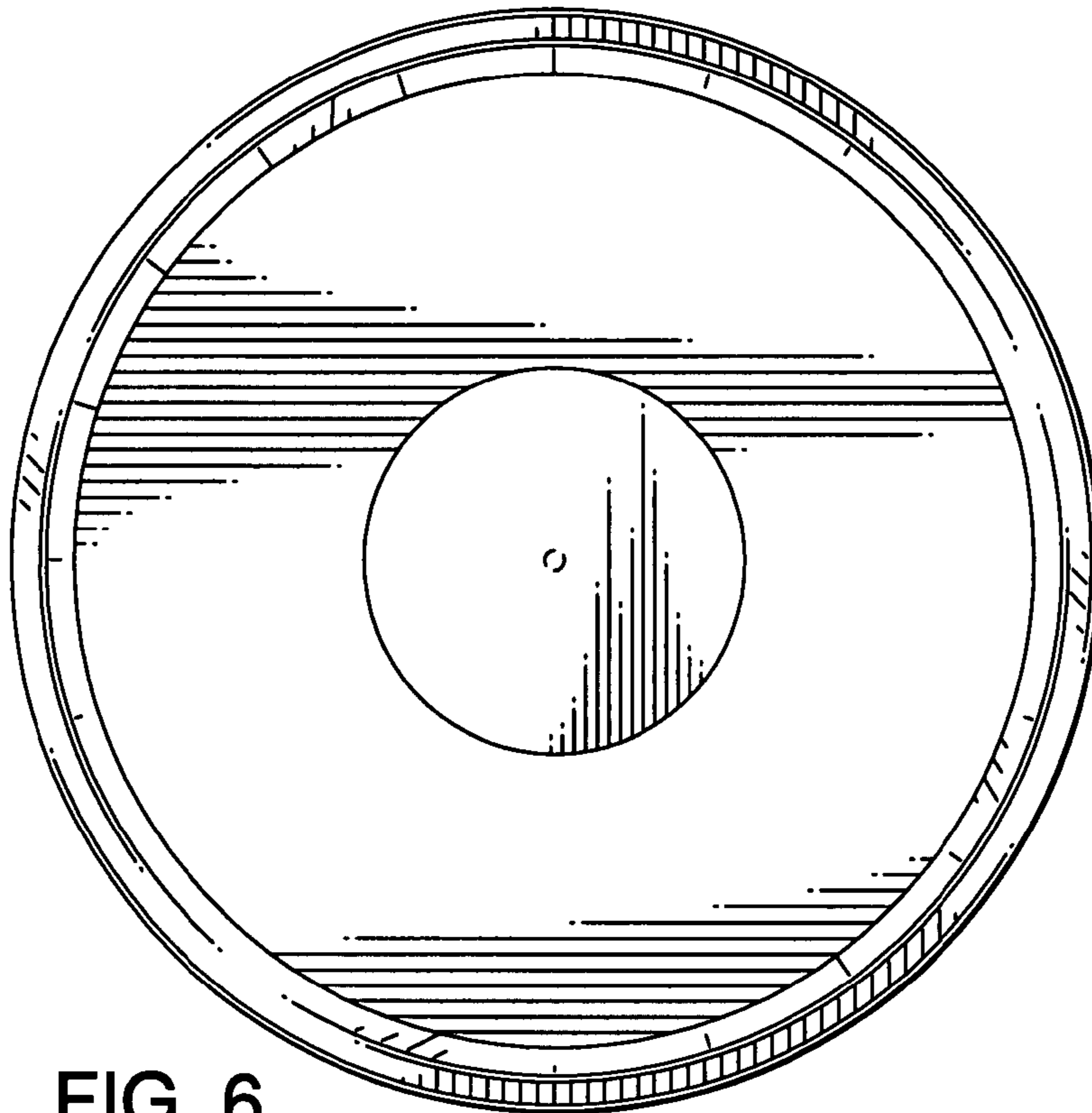


FIG. 6

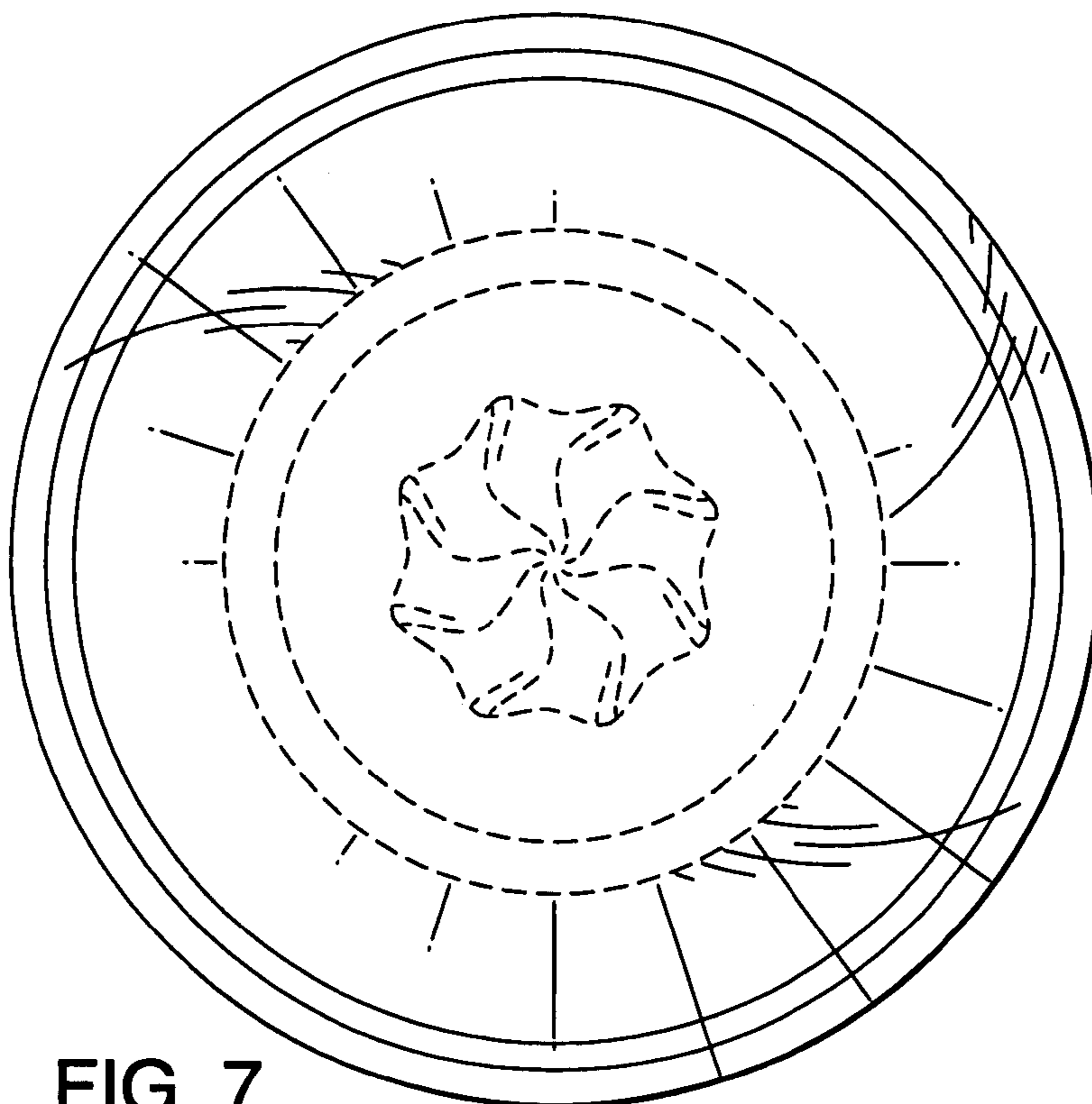


FIG. 7



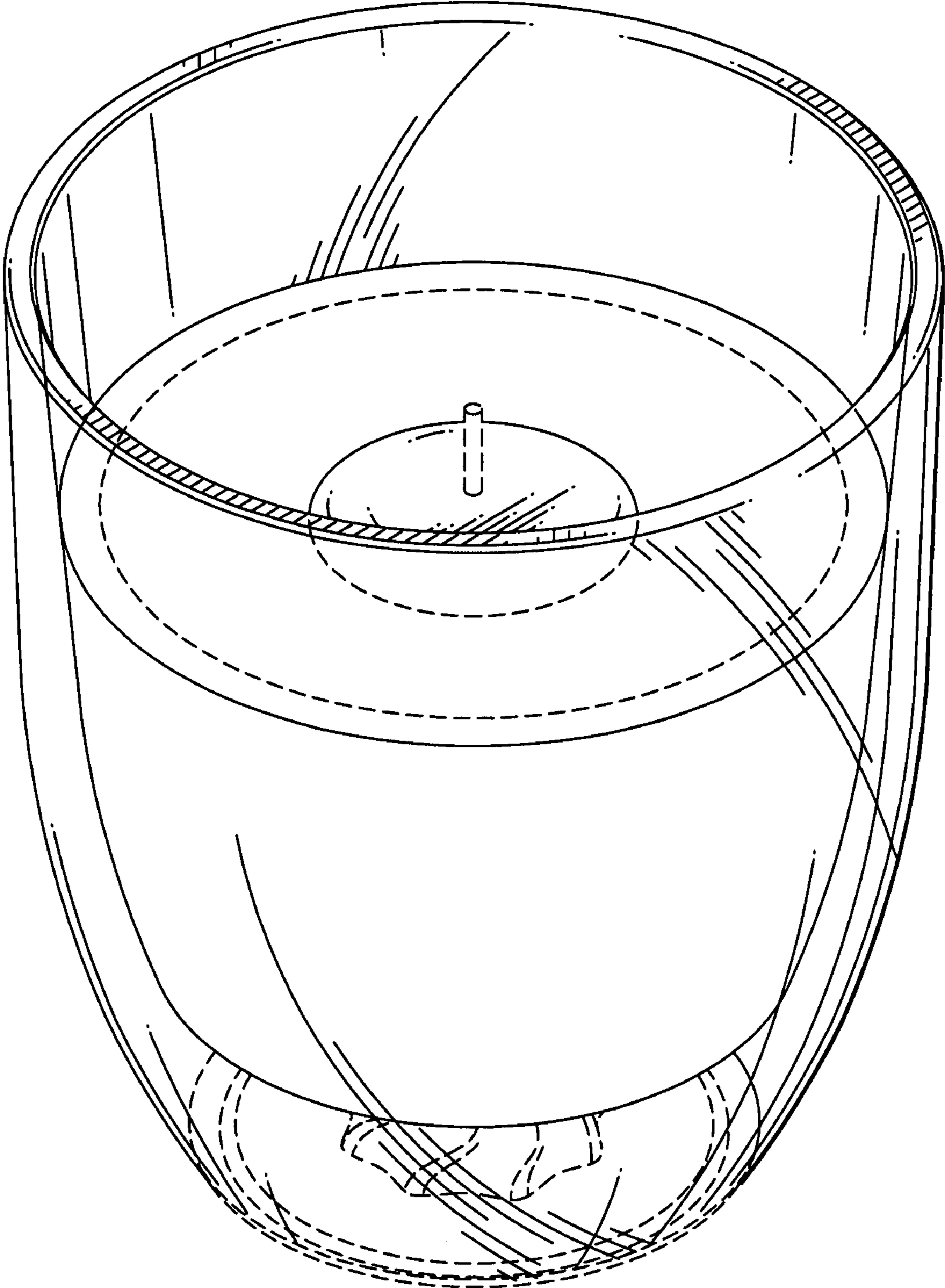


FIG. 8

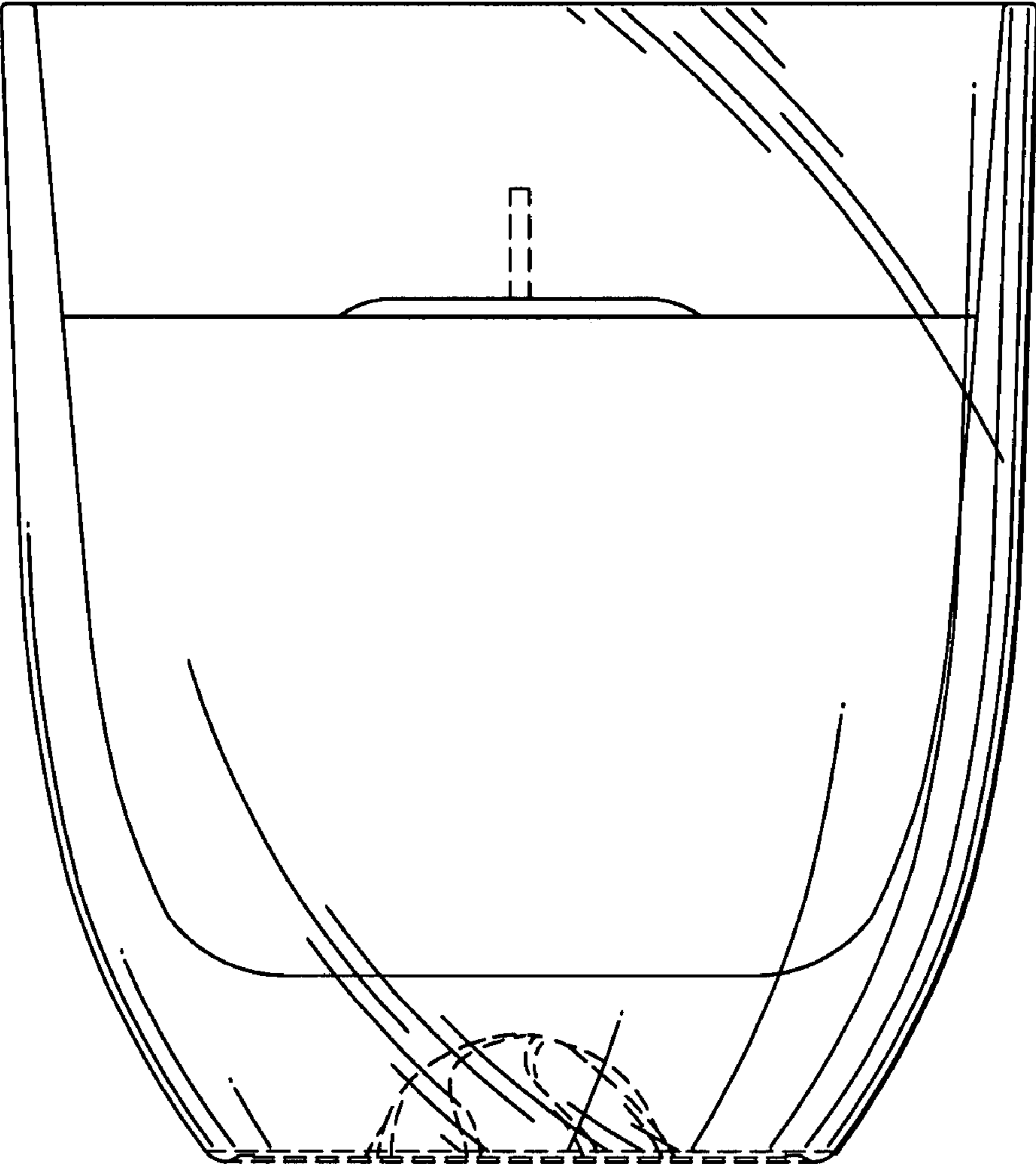


FIG. 9

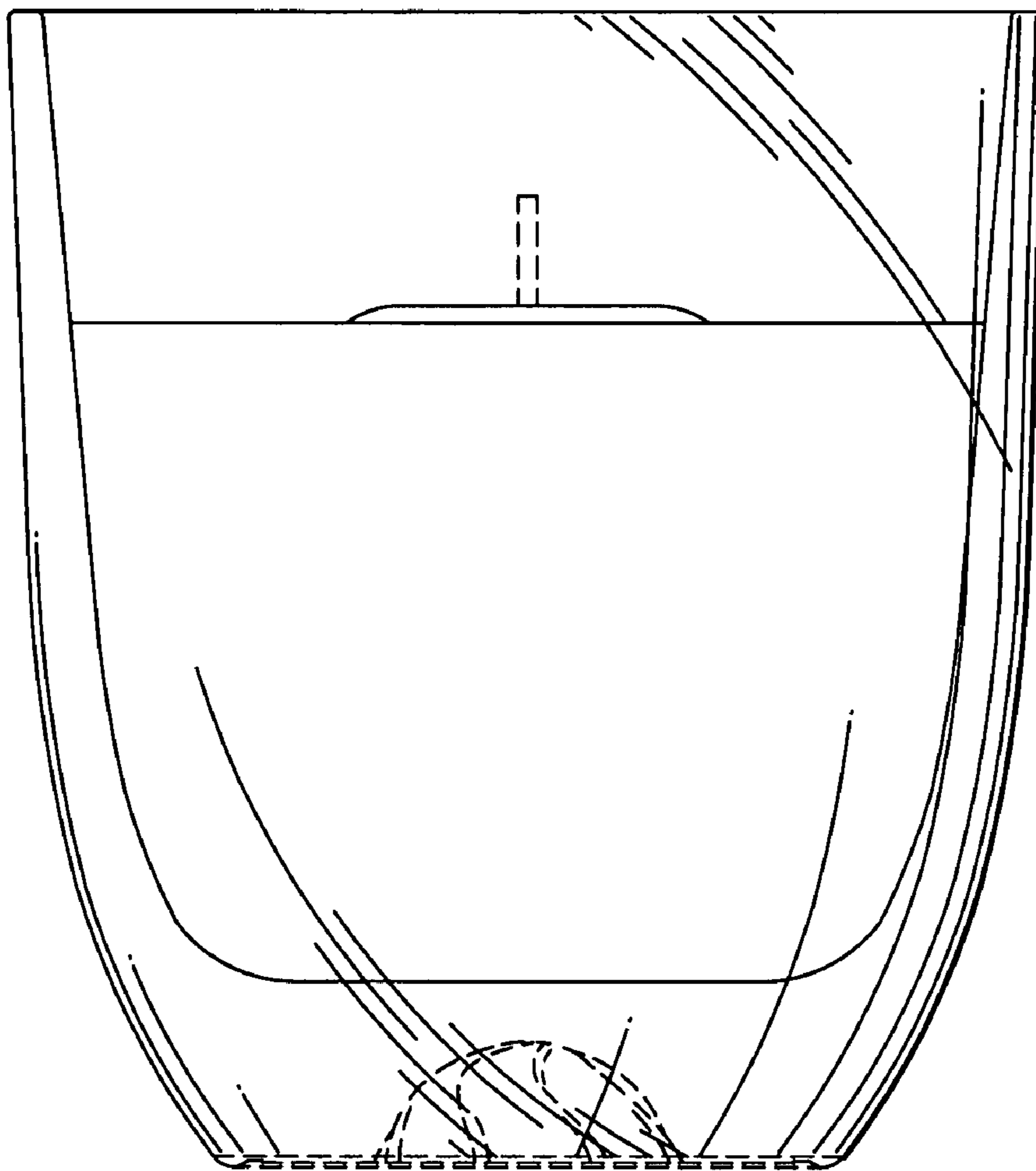


FIG. 10

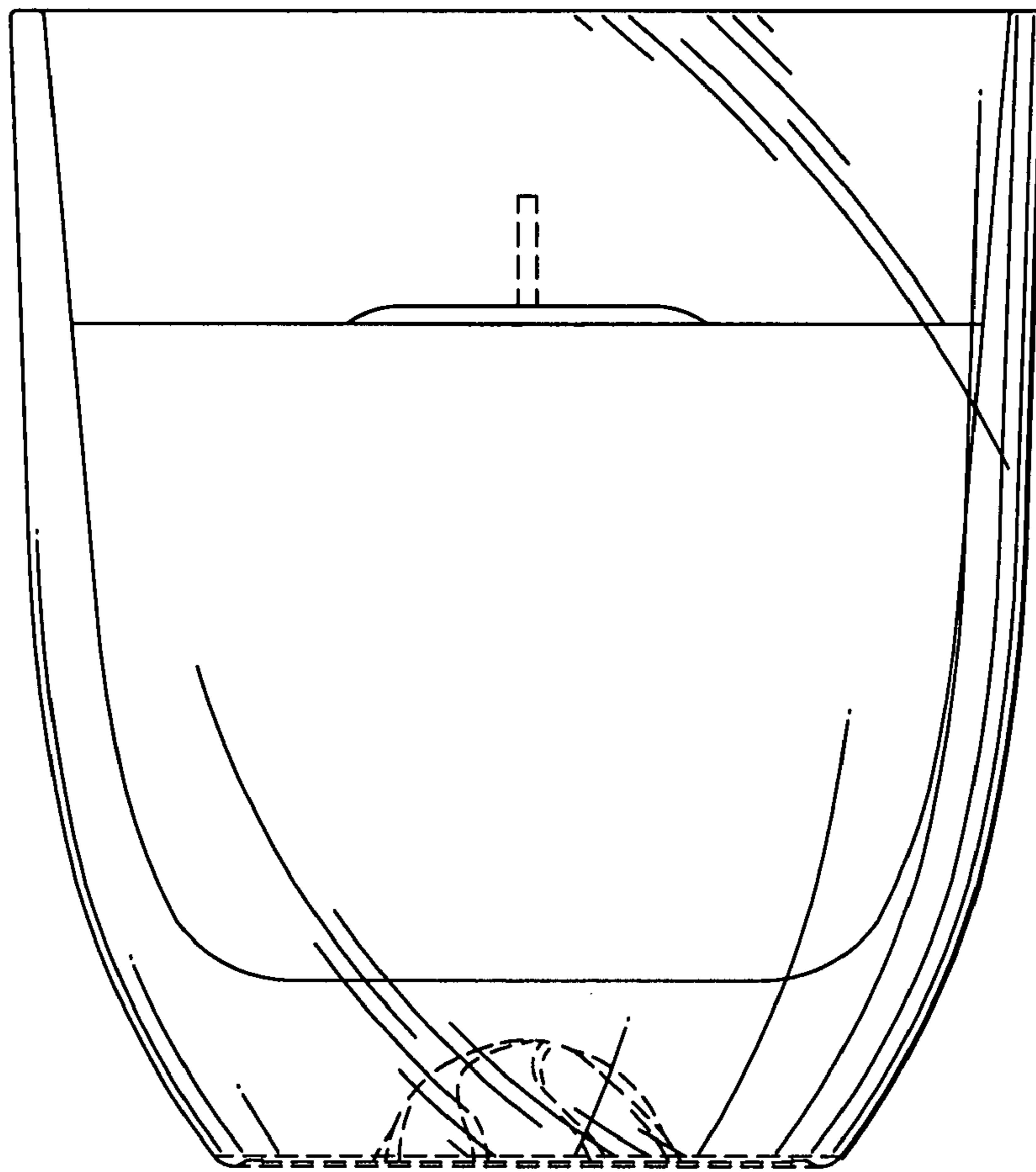


FIG. 11

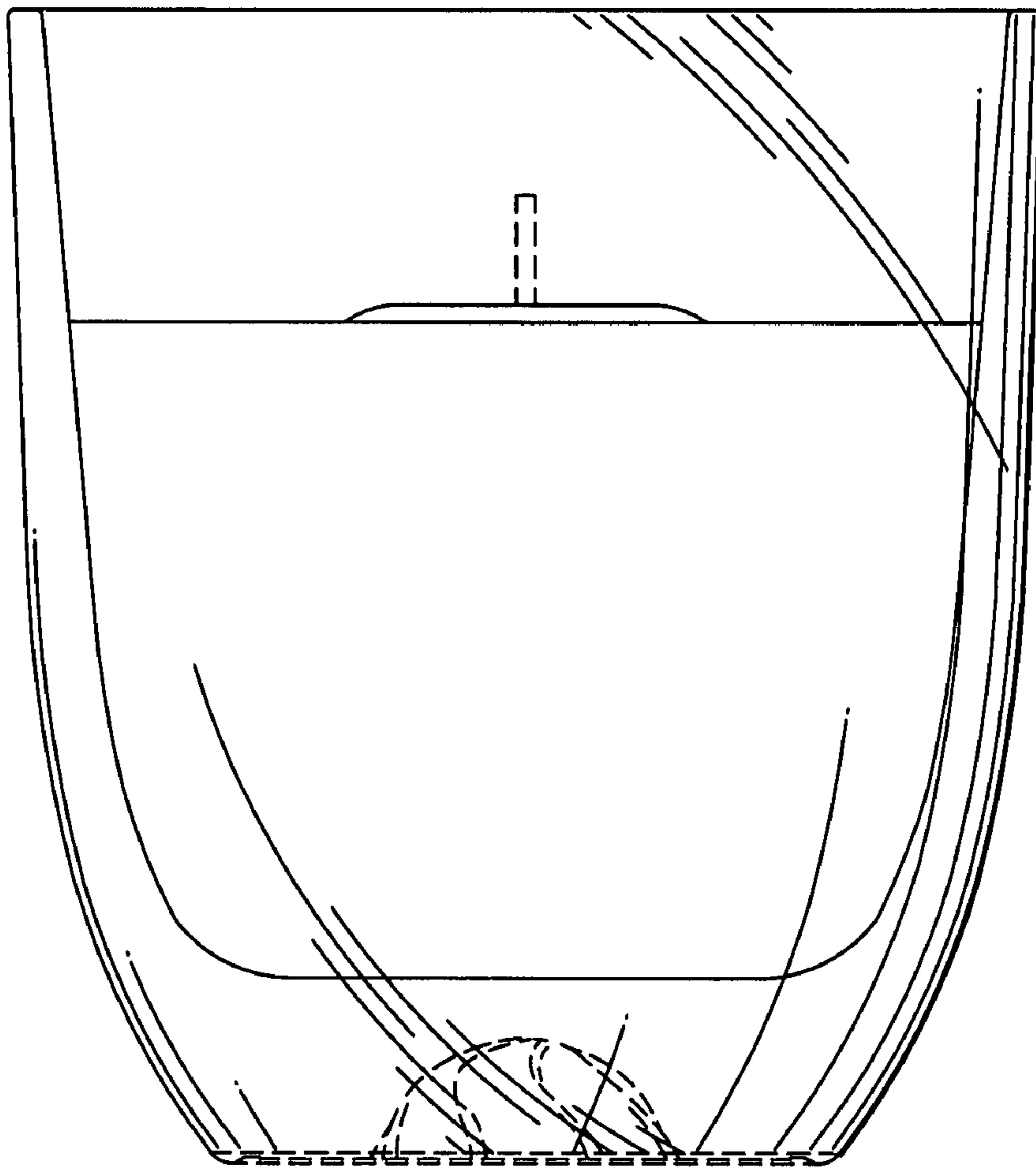


FIG. 12

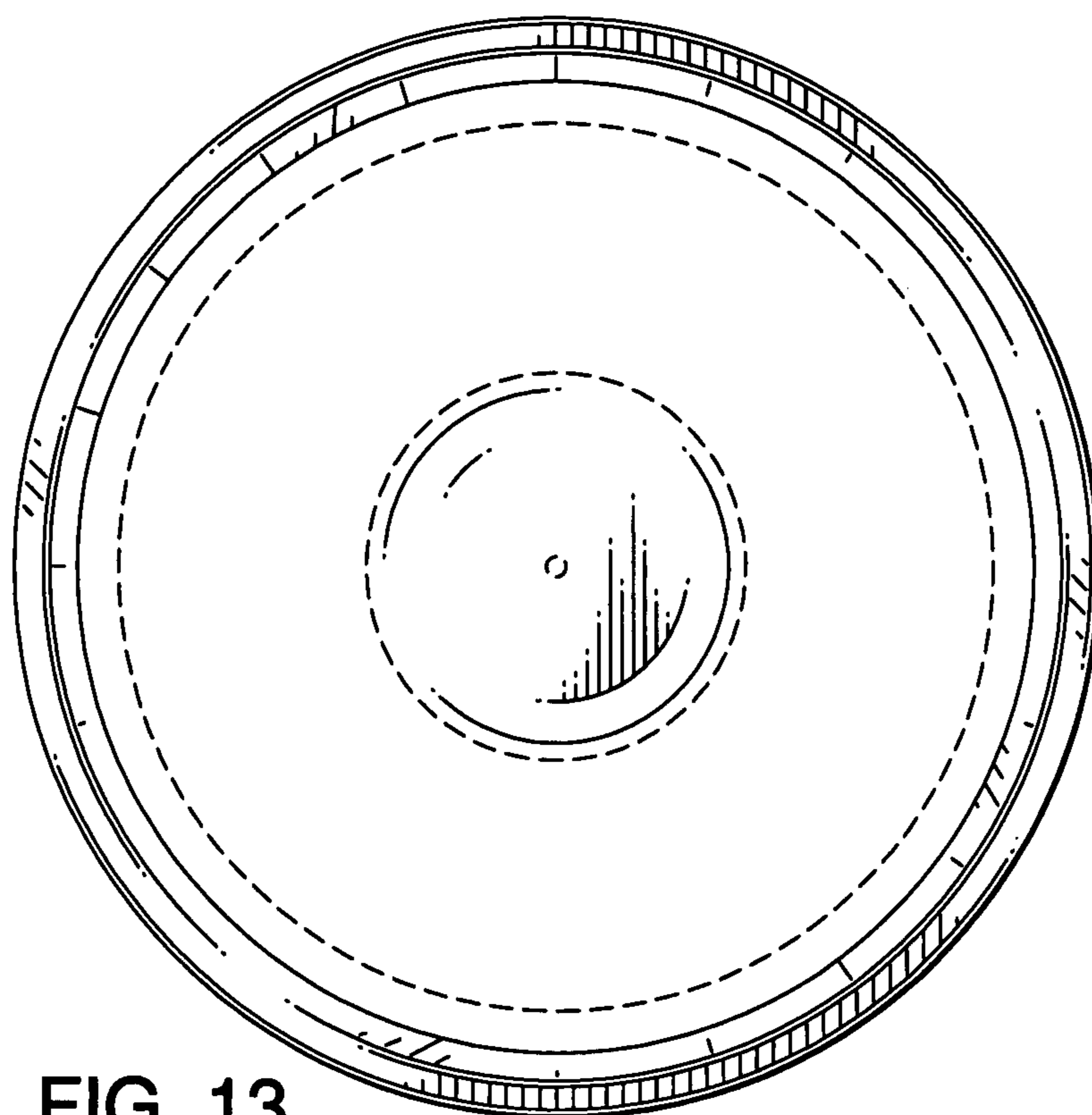


FIG. 13

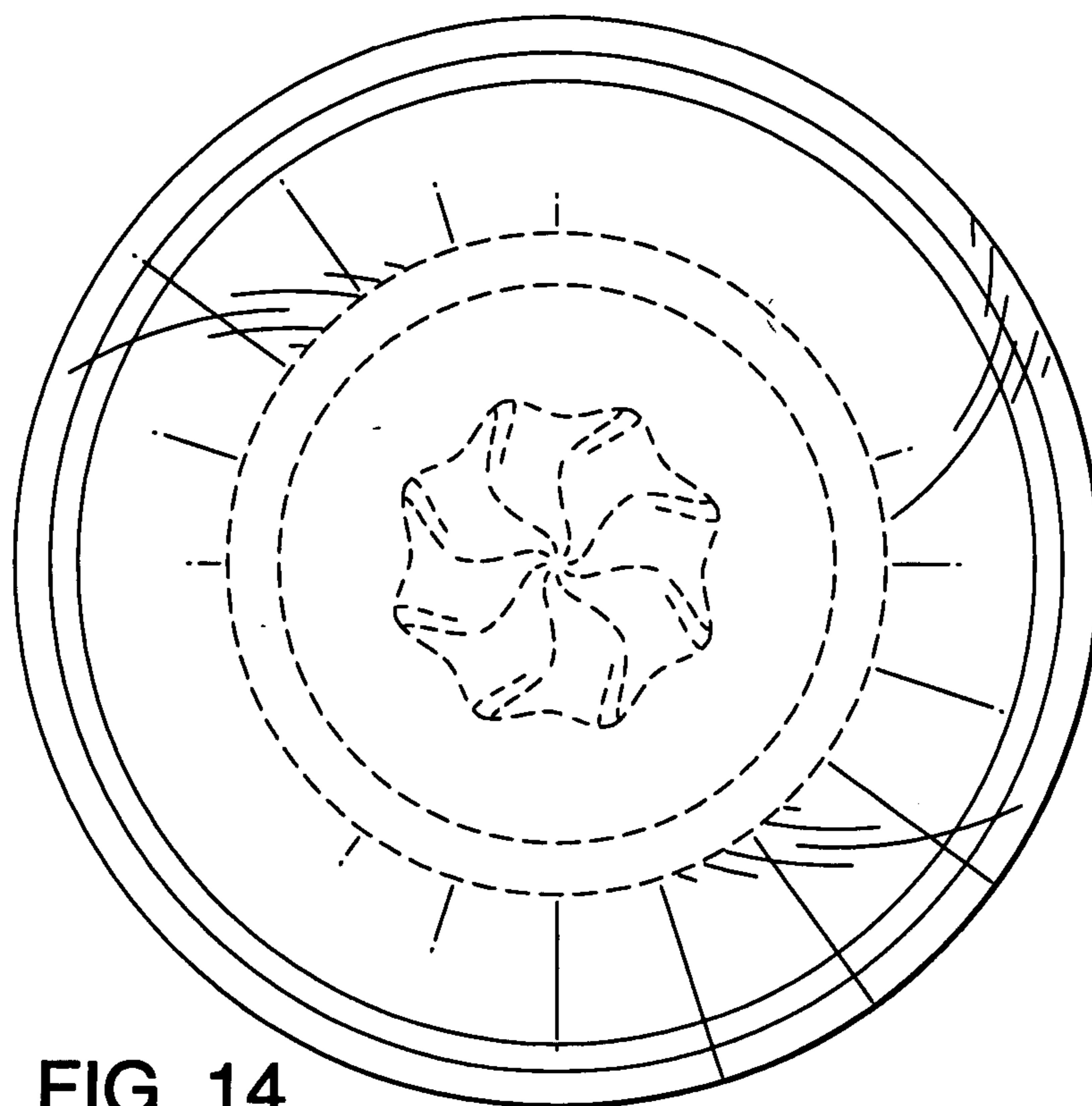


FIG. 14