

US00D547463S

(12) **United States Design Patent**
Gross et al.

(10) **Patent No.:** **US D547,463 S**

(45) **Date of Patent:** **** Jul. 24, 2007**

(54) **POST ANCHOR**

(75) Inventors: **John Gross**, Vancouver (CA); **Simon Walker**, Surrey (CA); **Frank Fan**, Surrey (CA); **Wei Min Zhu**, Surrey (CA)

(73) Assignee: **Peak Innovations Inc.**, Richmond (CA)

(**) Term: **14 Years**

(21) Appl. No.: **29/246,356**

(22) Filed: **Apr. 3, 2006**

(51) **LOC (8) Cl.** **25-01**

(52) **U.S. Cl.** **D25/133**

(58) **Field of Classification Search** 256/65.08, 256/65.11, 65.15, 65.16, 59, 65.01, 68, 72, 256/65.02, 65.04; D25/38, 43, 39, 126, 133; 52/169.14, 166, 720.2, 721.5, 736.3, 736.4, 52/737.4, 737.5, 146, 170

See application file for complete search history.

(56) **References Cited**

U.S. PATENT DOCUMENTS

3,267,627 A * 8/1966 Hammitt 52/298

4,038,802 A * 8/1977 Bajorek et al. 52/720.2
D348,738 S * 7/1994 Jasinsky D25/133
D443,937 S * 6/2001 Prokop D25/133
6,282,861 B1 * 9/2001 Natelli, Jr. 52/730.1
D503,813 S * 4/2005 Steffes et al. D25/133

* cited by examiner

Primary Examiner—Doris Clark

(74) *Attorney, Agent, or Firm*—Mark Hopkinson

(57) **CLAIM**

What is claimed is the ornamental design for a post anchor, as shown.

DESCRIPTION

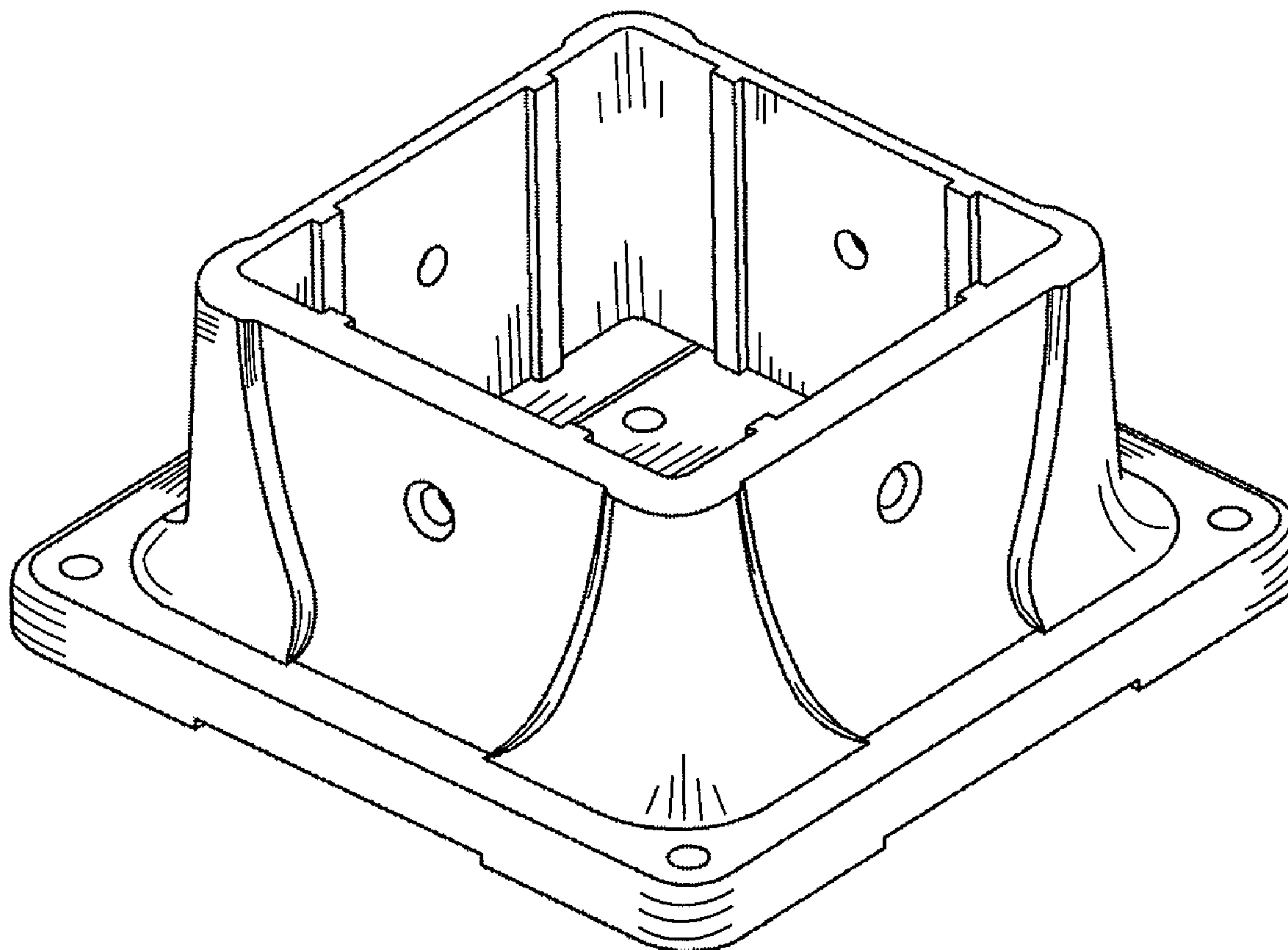
FIG. 1 is a perspective view thereof;

FIG. 2 is a side elevation view thereof; all four sides are identical;

FIG. 3 is a top view thereof; and,

FIG. 4 is a bottom view thereof.

1 Claim, 2 Drawing Sheets



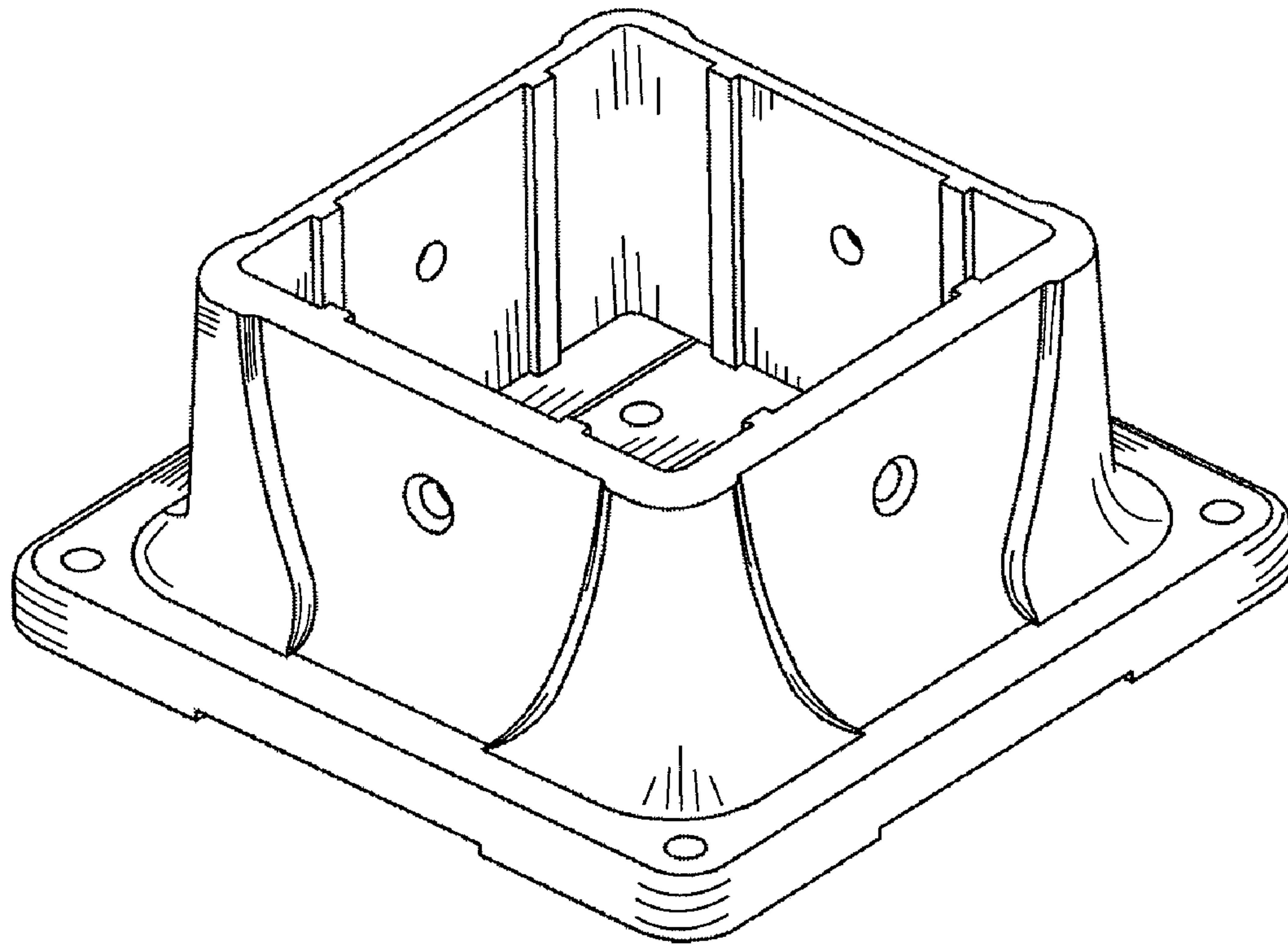


Fig.1

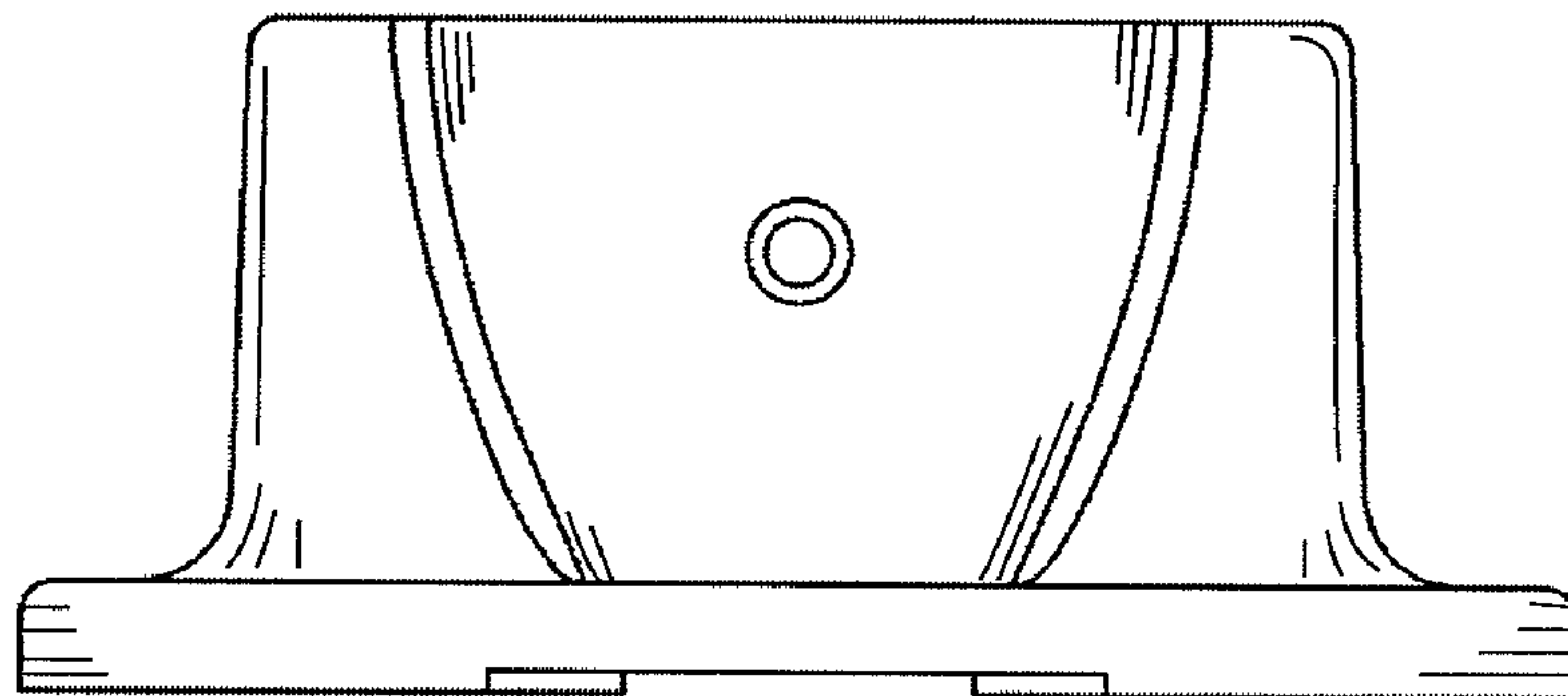


Fig.2

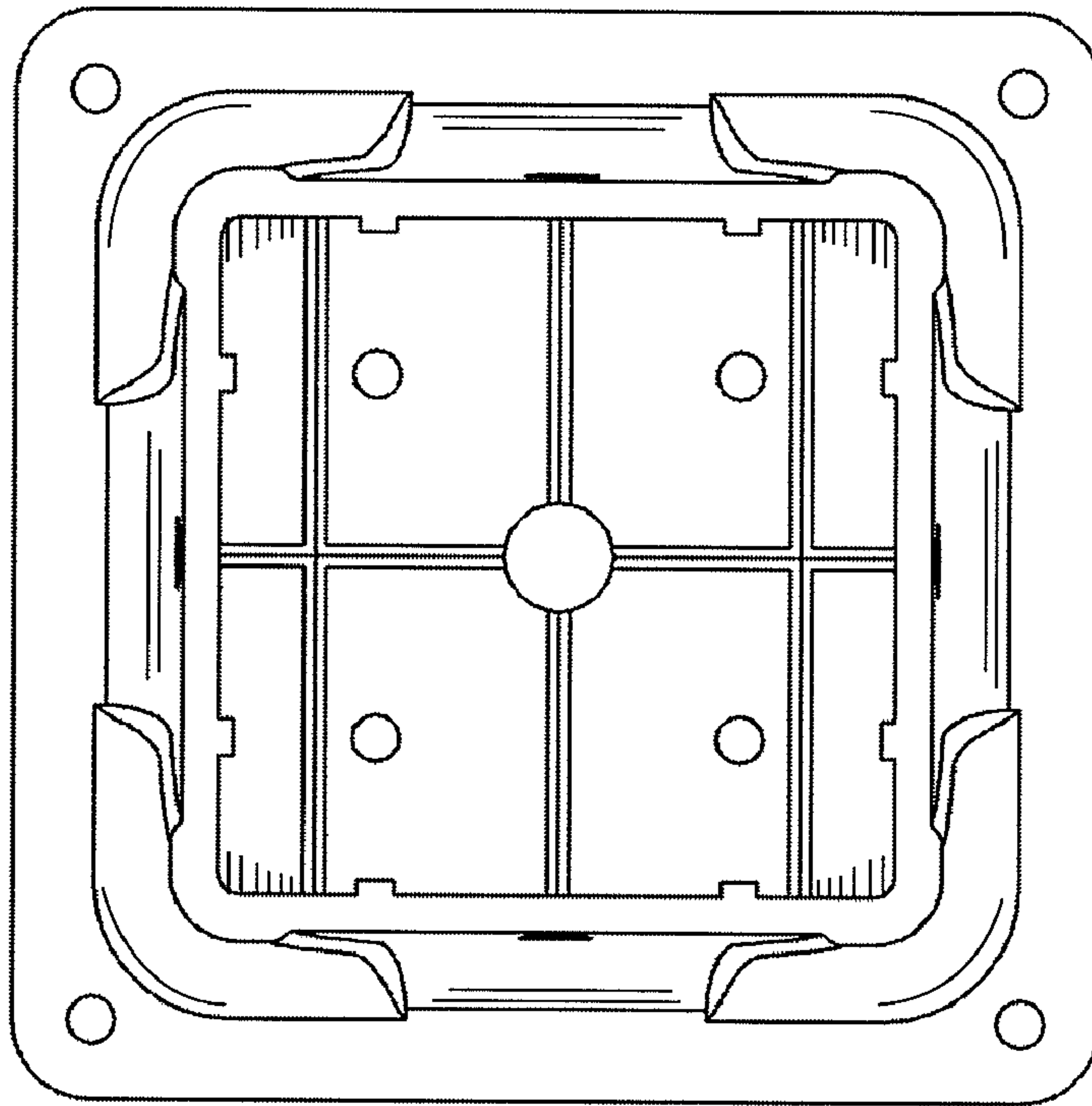


Fig.3

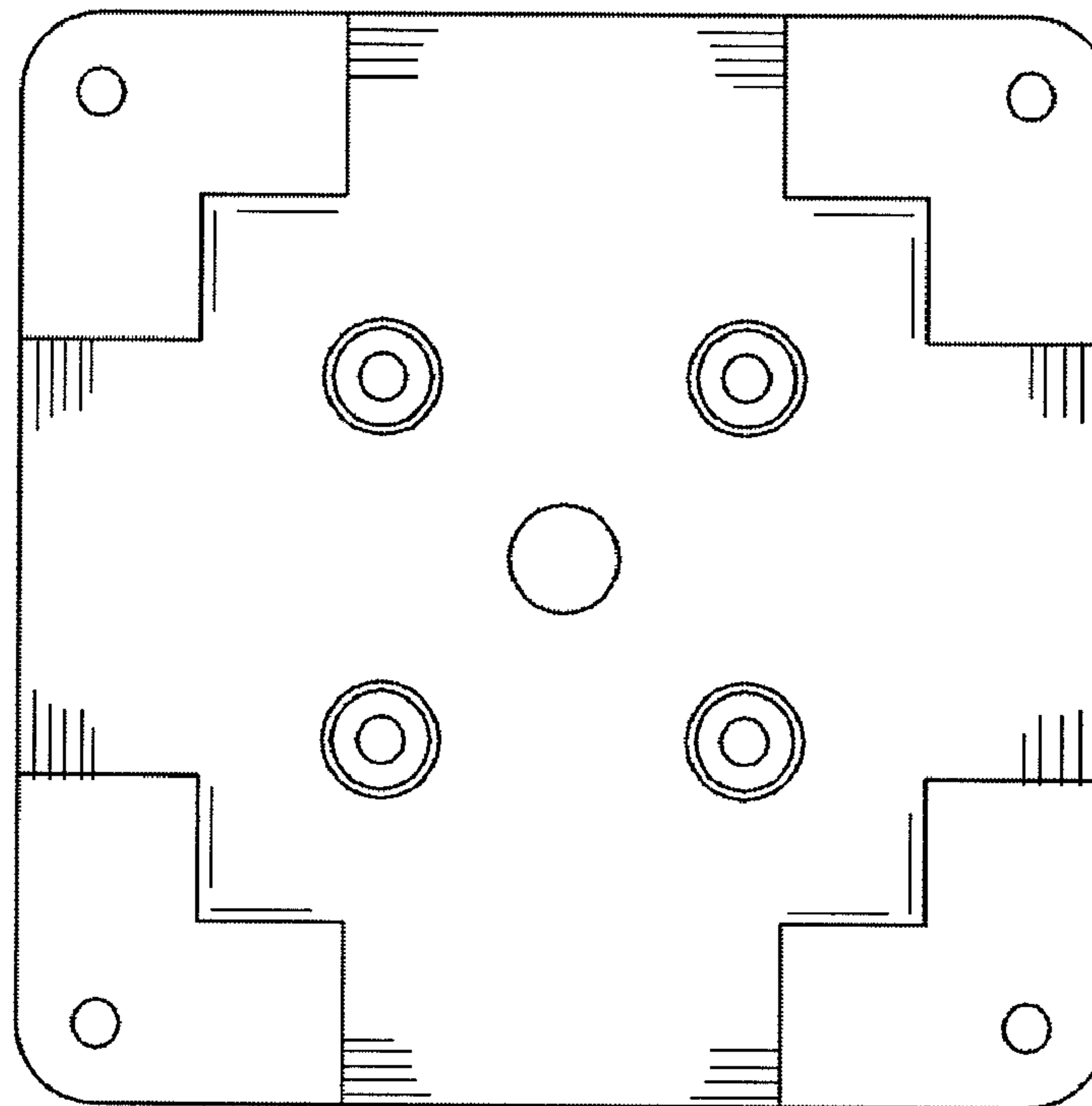


Fig.4