

US00D547450S

(12) **United States Design Patent**  
**Hurlstone et al.**

(10) **Patent No.:** **US D547,450 S**

(45) **Date of Patent:** **\*\* Jul. 24, 2007**

(54) **OPHTHALMOSCOPE**

GB 3008499 \* 11/2002  
GB 3008178 \* 12/2002

(75) Inventors: **Christopher John Hurlstone**, Newport (GB); **Benjamin Guy Turner**, Over (GB)

\* cited by examiner

(73) Assignee: **Ophthalmos Limited**, Ickleton (GB)

*Primary Examiner*—Ian Simmons  
*Assistant Examiner*—Charles Hanson  
(74) *Attorney, Agent, or Firm*—Fildes & Outland, P.C.

(\*\*) Term: **14 Years**

(21) Appl. No.: **29/239,507**

(22) Filed: **Sep. 30, 2005**

(57) **CLAIM**

The ornamental design for ophthalmoscope, as shown and described.

(30) **Foreign Application Priority Data**

Mar. 30, 2005 (GB) ..... 3020791

**DESCRIPTION**

(51) **LOC (8) Cl.** ..... **24-02**

(52) **U.S. Cl.** ..... **D24/137**

(58) **Field of Classification Search** ..... D24/138,  
D24/137, 150, 144; 600/193, 196, 194, 190,  
600/188; 604/264; D26/37; 351/221; 606/17  
See application file for complete search history.

FIG. 1 is a rear elevation of an ophthalmoscope with the cap in a closed position embodying our new design;

FIG. 2 is a front elevation thereof;

FIG. 3 is a side elevation thereof;

FIG. 4 is a bottom plan view thereof;

FIG. 5 is a top perspective view thereof;

FIG. 6 is a front perspective view thereof;

FIG. 7 is a rear elevation view thereof showing the cap in the rotated position;

FIG. 8 is a front elevation thereof;

FIG. 9 is a side elevation thereof;

FIG. 10 is a top plan view thereof;

FIG. 11 is a bottom perspective view thereof; and,

FIG. 12 is a top perspective view thereof.

(56) **References Cited**

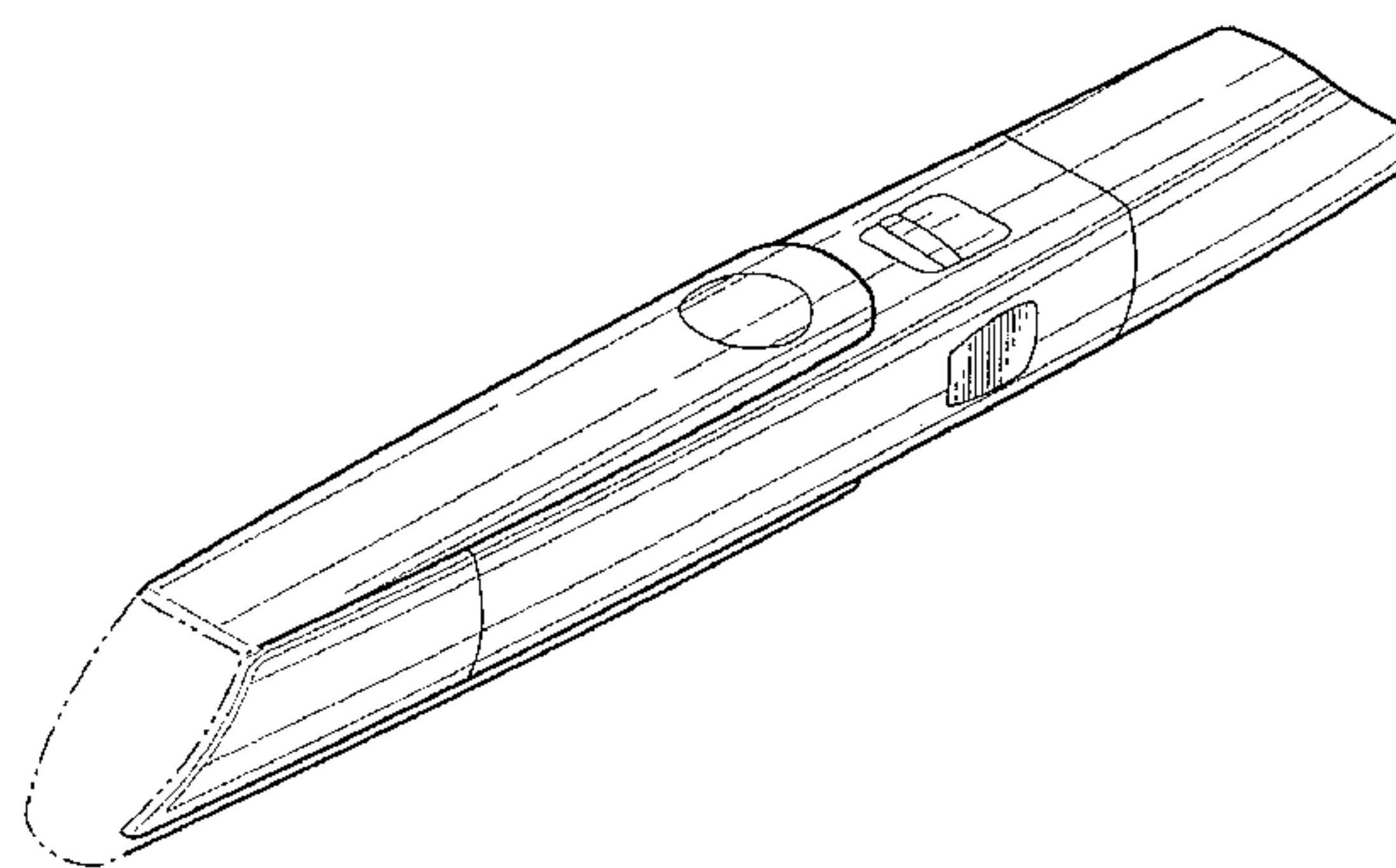
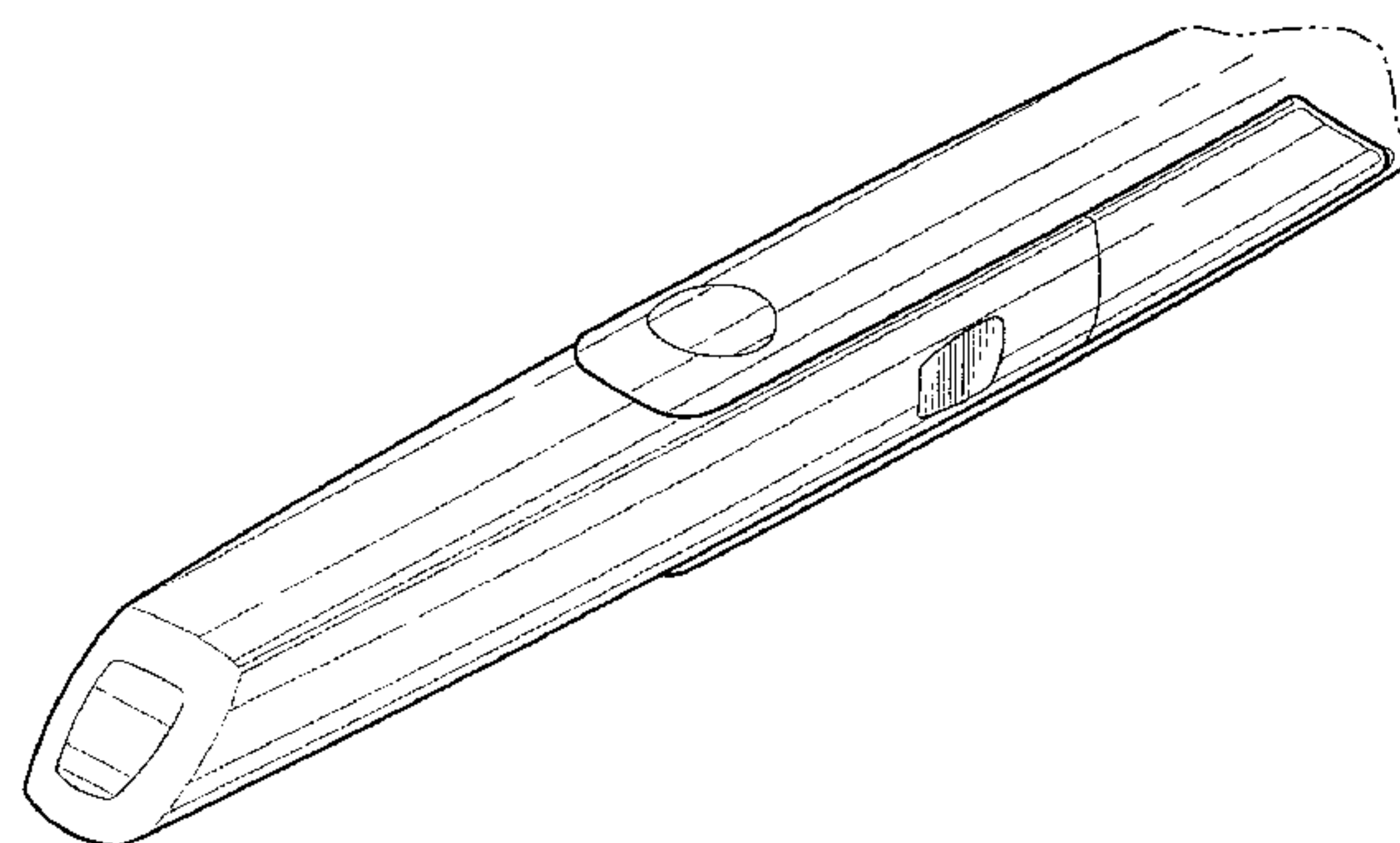
**U.S. PATENT DOCUMENTS**

D226,824 S \* 5/1973 Staub ..... D24/150  
D298,856 S \* 12/1988 Feldon et al. .... D24/150  
D389,915 S \* 1/1998 Emerson et al. .... D24/144  
D438,656 S \* 3/2001 Lupica ..... D26/37

**FOREIGN PATENT DOCUMENTS**

GB 2037382 \* 6/1994  
GB 3002032 \* 8/2002

**1 Claim, 6 Drawing Sheets**



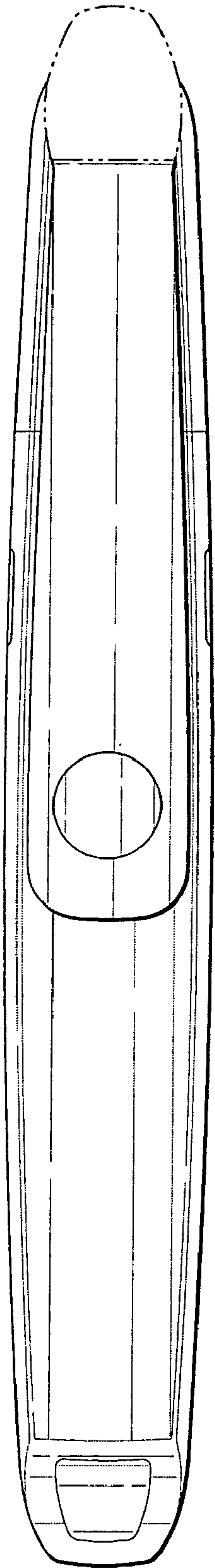


FIG - 1

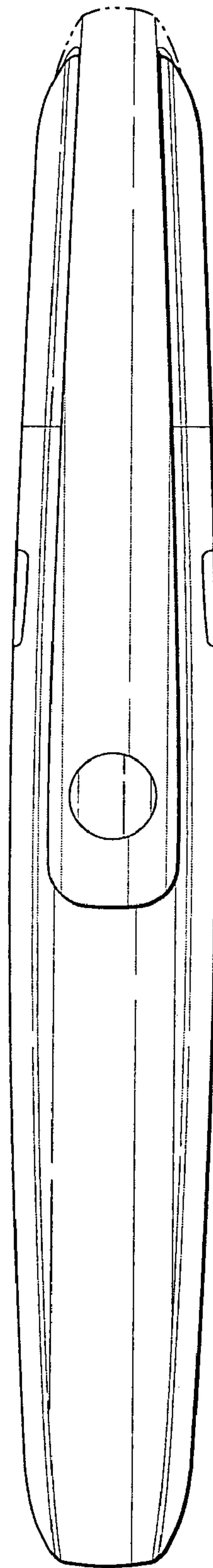
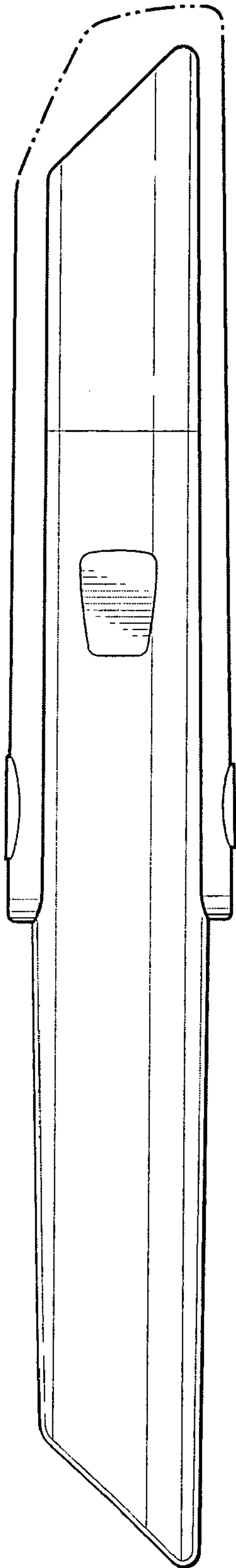
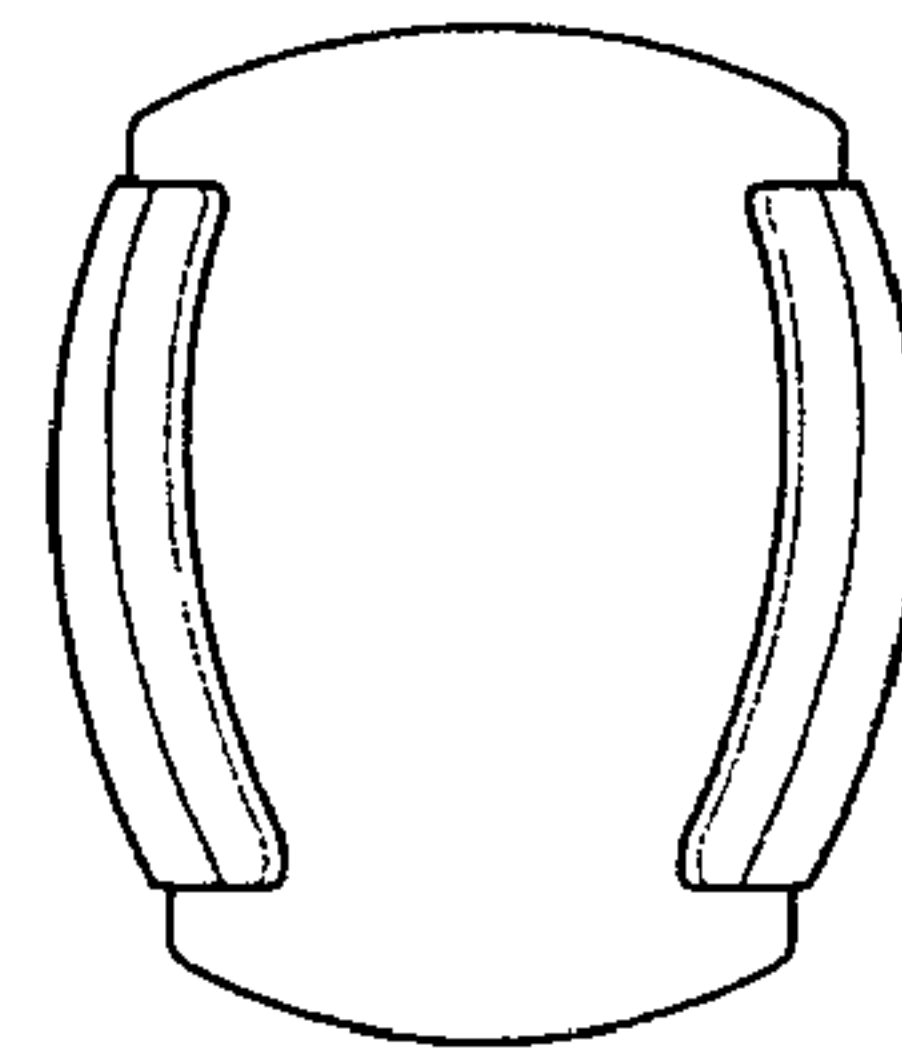


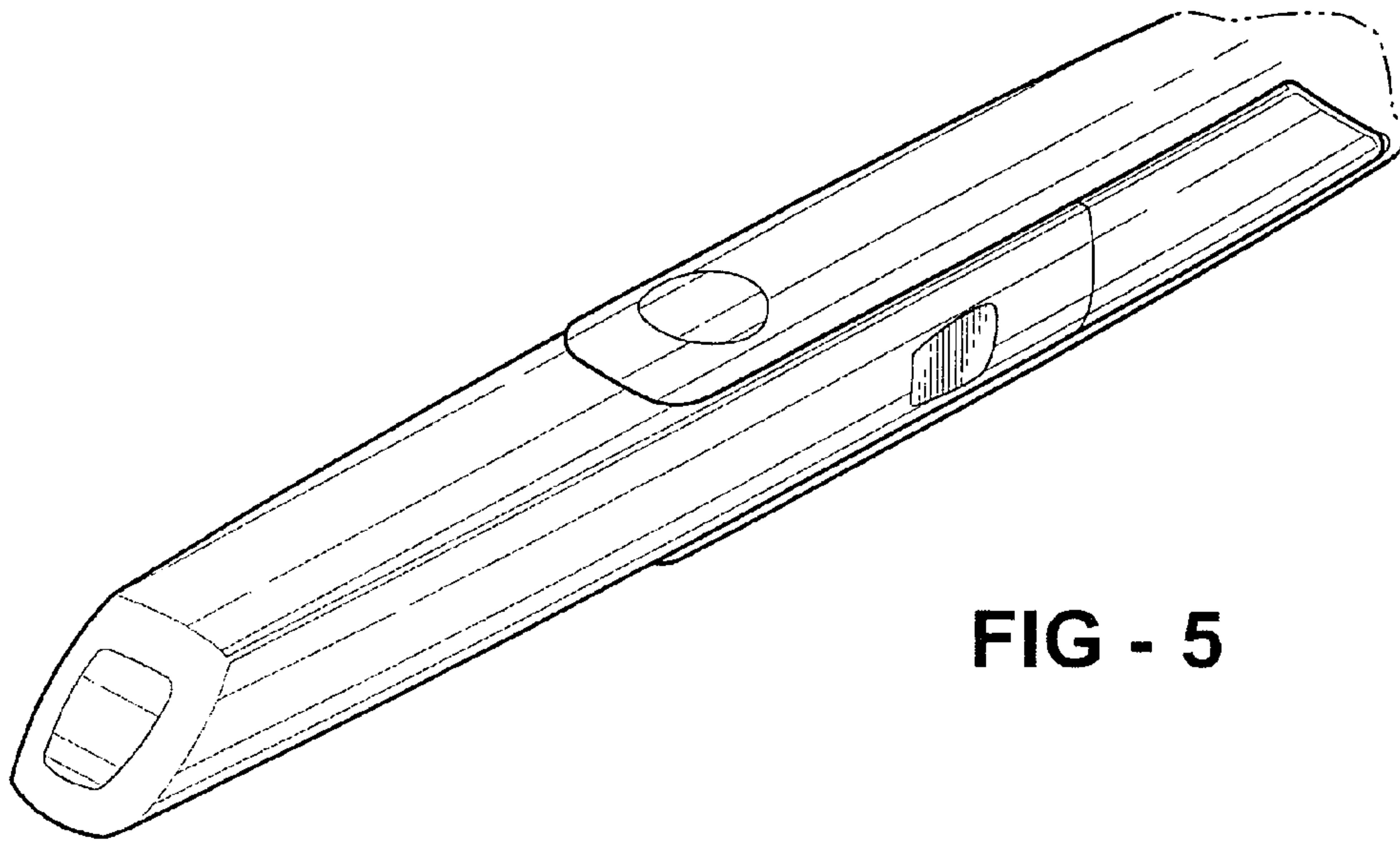
FIG - 2



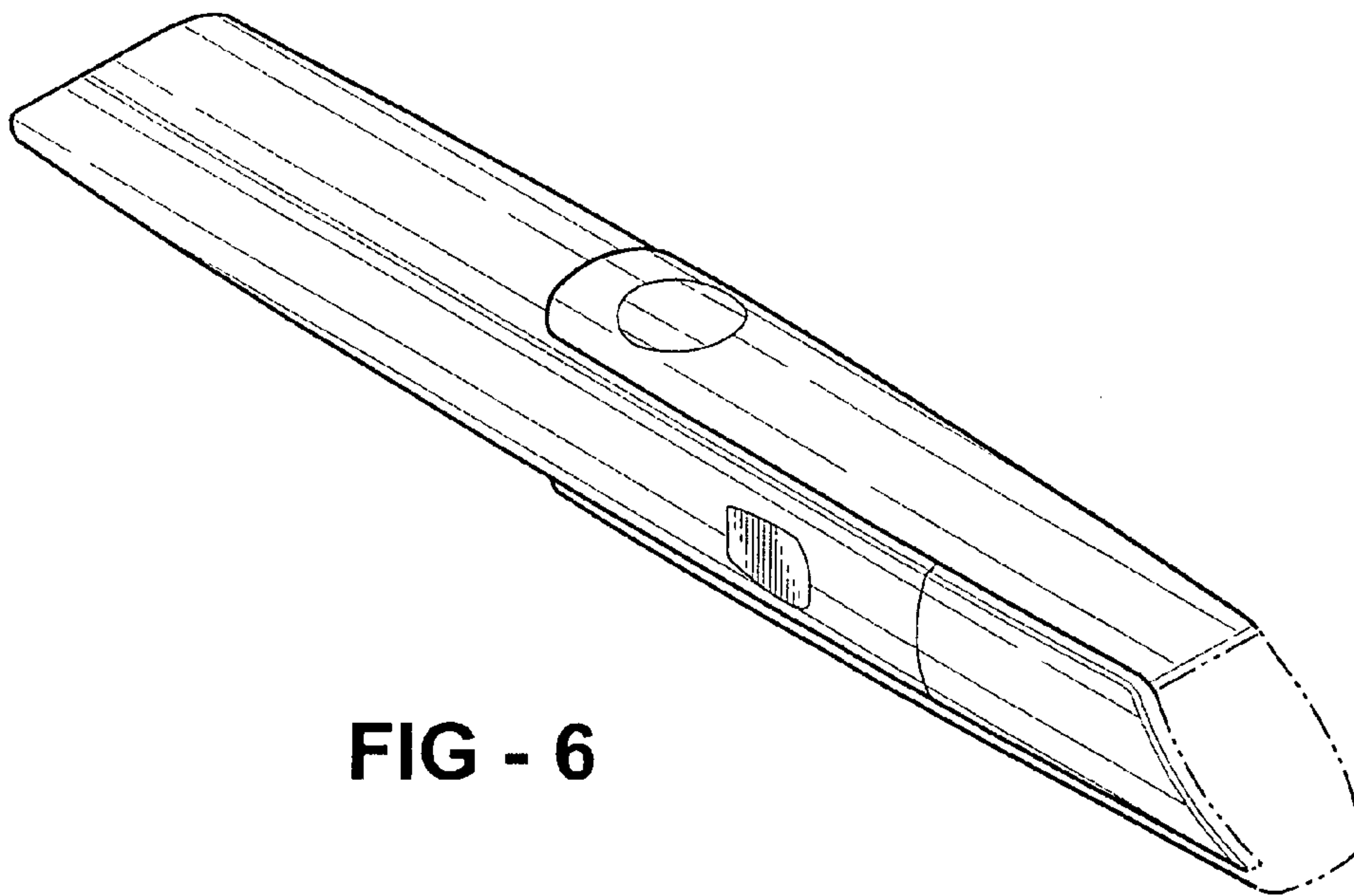
**FIG - 3**



**FIG - 4**



**FIG - 5**



**FIG - 6**

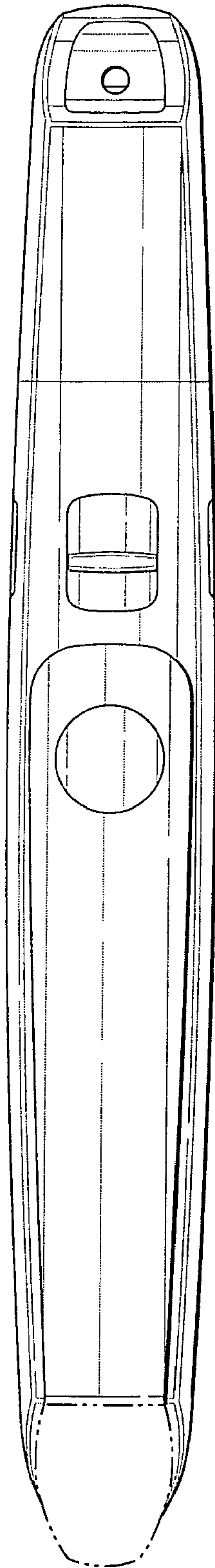


FIG - 7

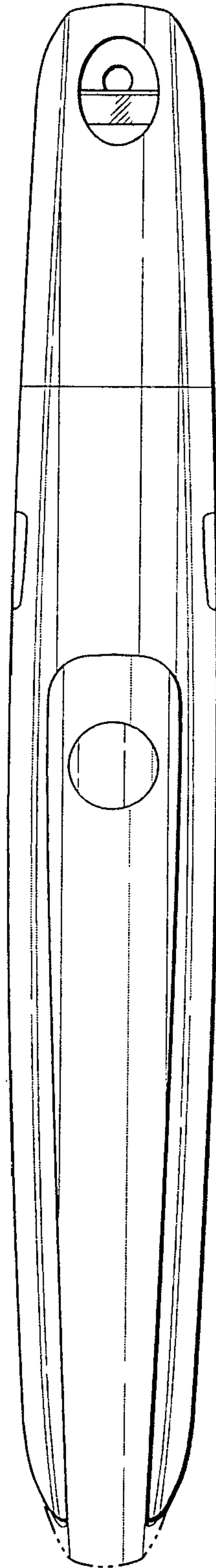
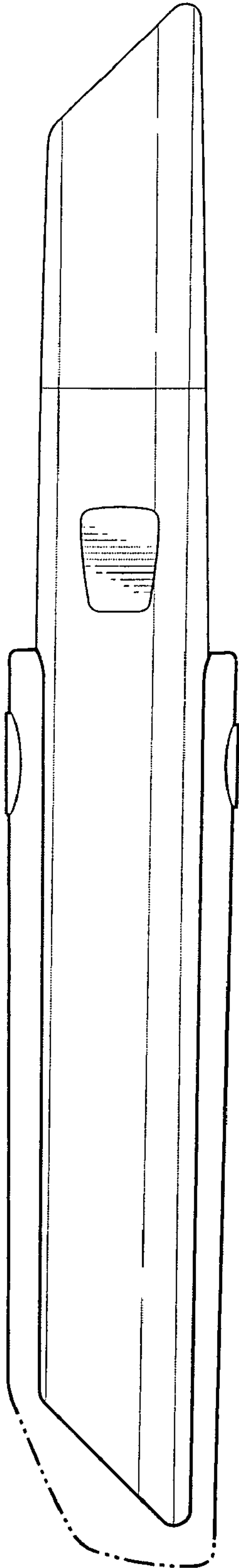
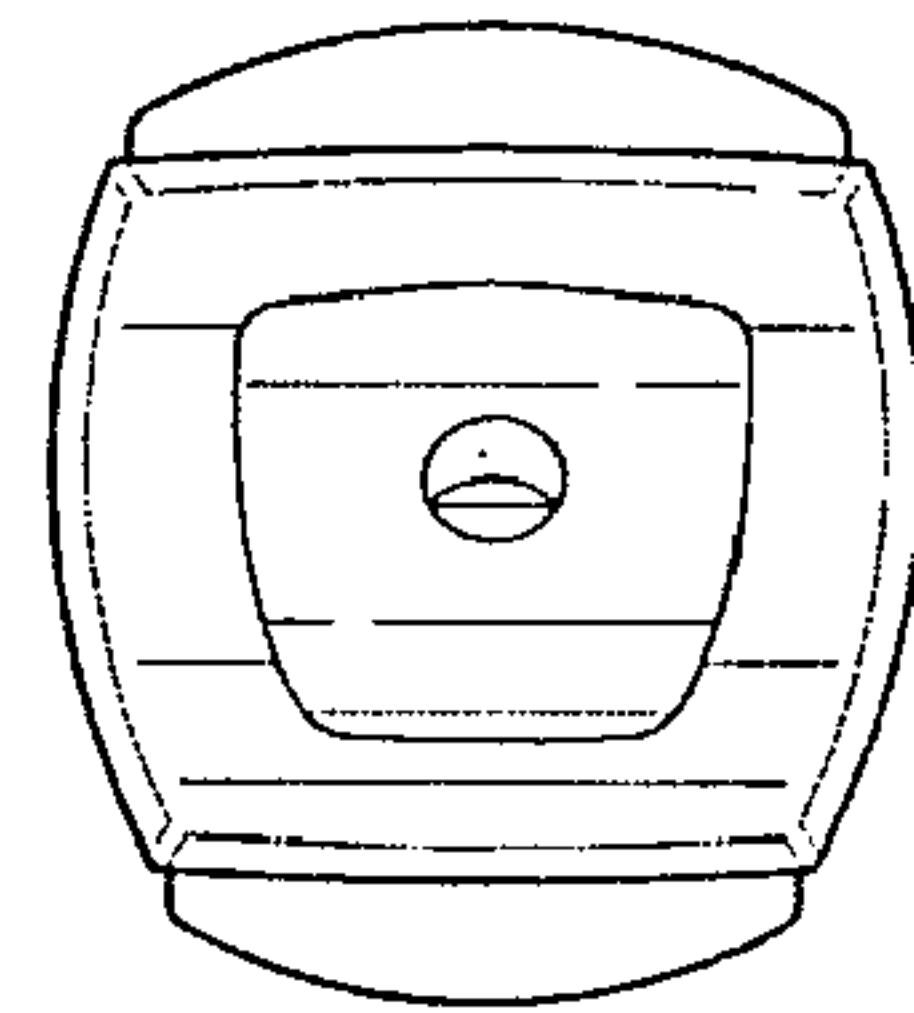


FIG - 8

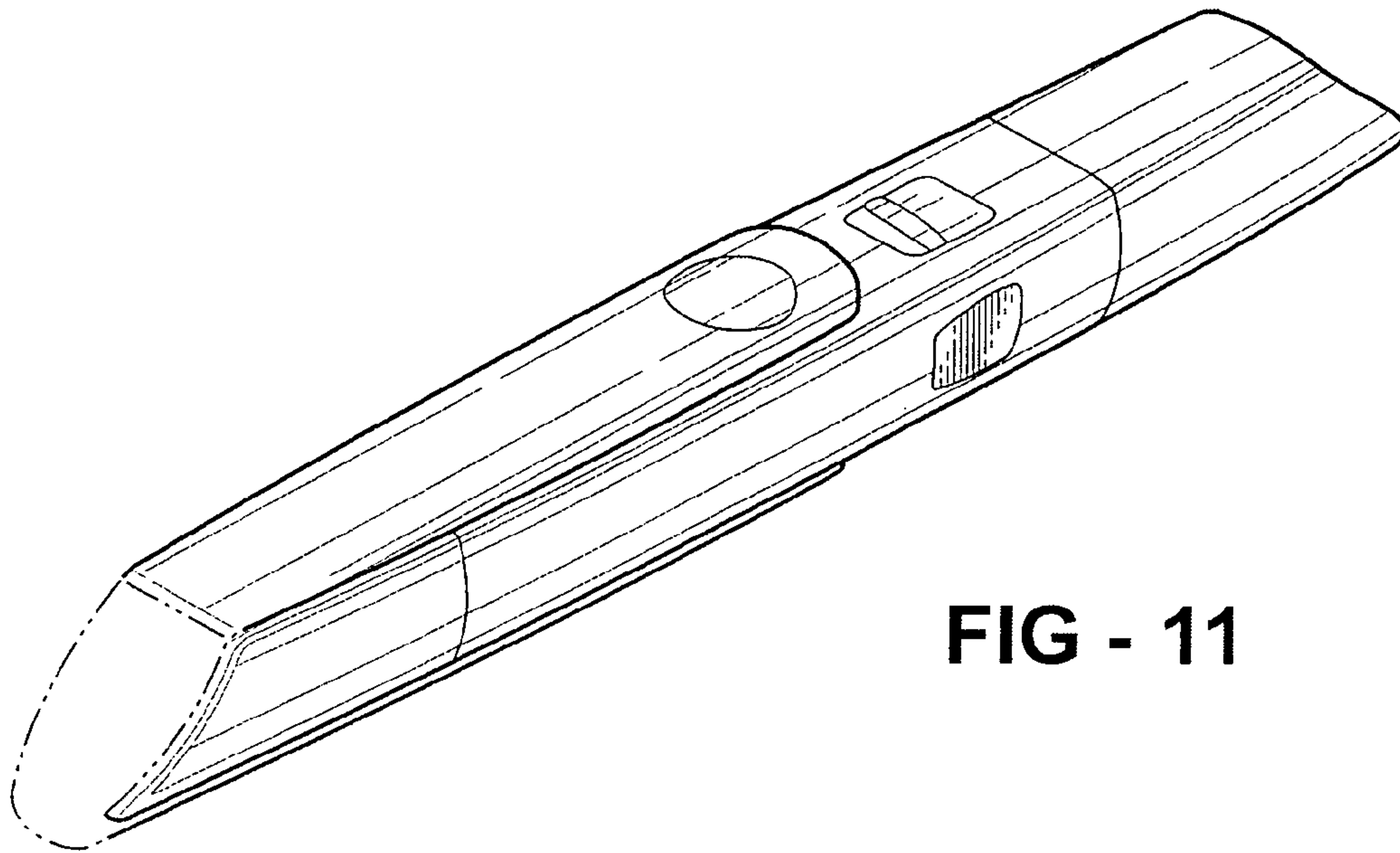


**FIG - 9**

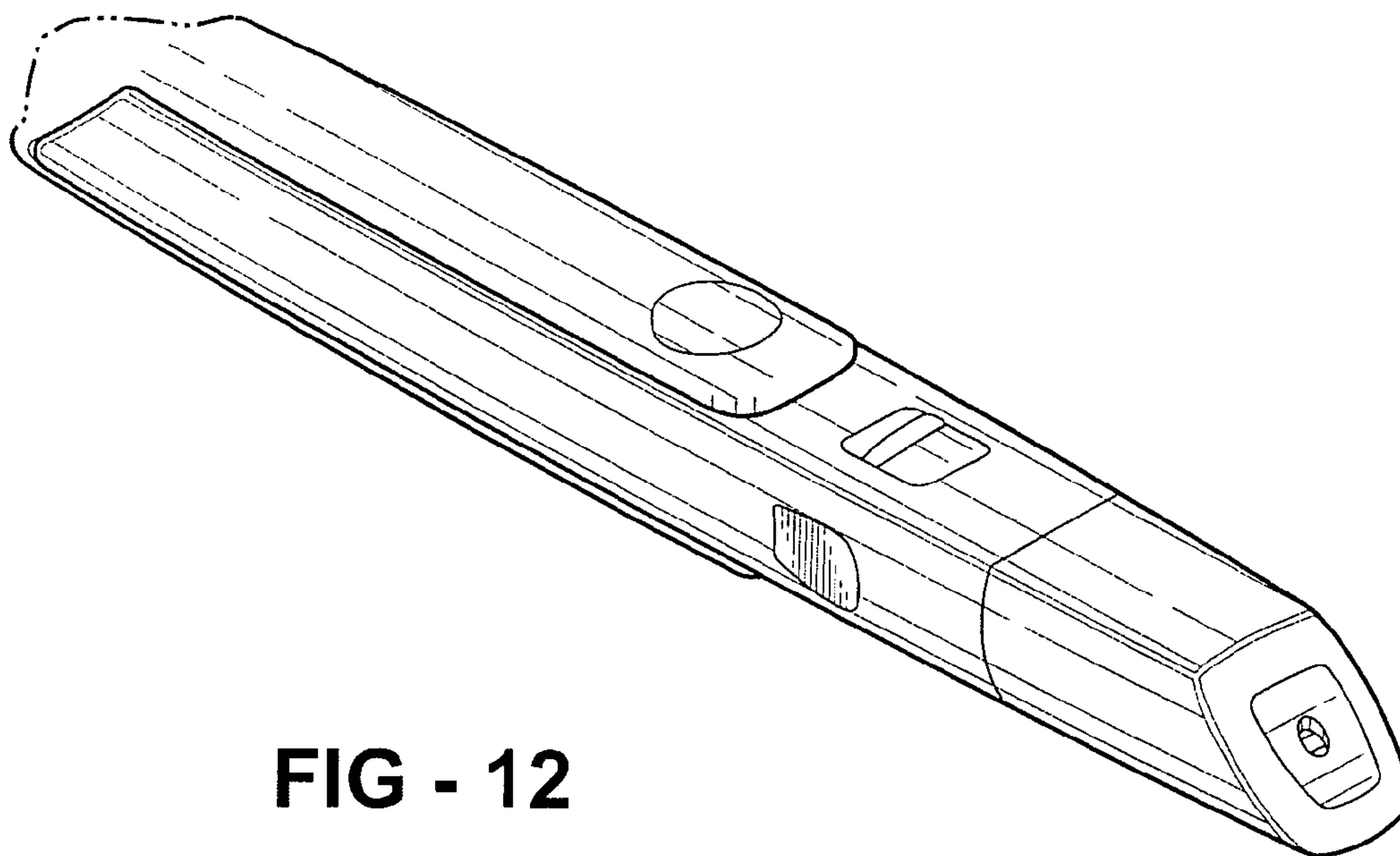


**FIG - 10**





**FIG - 11**



**FIG - 12**