

US00D547449S

(12) **United States Design Patent**
Ashraf

(10) **Patent No.:** **US D547,449 S**
(45) **Date of Patent:** **** Jul. 24, 2007**

- (54) **LARYNGOSCOPE BLADE**
- (75) Inventor: **Mohammed Ashraf**, Sialkot (PK)
- (73) Assignee: **Hilbro Instruments (PVT)** (PK)
- (**) Term: **14 Years**
- (21) Appl. No.: **29/185,029**
- (22) Filed: **Jun. 20, 2003**
- (30) **Foreign Application Priority Data**
Mar. 14, 2003 (GB) 3011638
- (51) **LOC (8) Cl.** **24-02**
- (52) **U.S. Cl.** **D24/137**
- (58) **Field of Classification Search** D24/138,
D24/137; 600/185, 193, 199, 187, 188, 190,
600/194
See application file for complete search history.

(56) **References Cited**

U.S. PATENT DOCUMENTS

- 3,986,854 A * 10/1976 Scrivo et al. 600/198
- 4,114,609 A * 9/1978 Moses 600/193
- 4,546,762 A * 10/1985 Upsher 600/193
- 4,556,052 A * 12/1985 Muller 600/193
- 4,574,784 A * 3/1986 Soloway 600/193
- 4,924,855 A * 5/1990 Salerno et al. 600/199
- 5,070,859 A * 12/1991 Waldvogel 600/185

- D337,384 S * 7/1993 Schucman D24/138
- D399,957 S * 10/1998 Chernov et al. D24/138
- 6,139,491 A * 10/2000 Heine et al. 600/199
- D491,267 S * 6/2004 Ashraf D24/137

* cited by examiner

Primary Examiner—Charles A. Rademaker

Assistant Examiner—Charles Hanson

(74) *Attorney, Agent, or Firm*—Bachman & LaPointe

(57) **CLAIM**

The ornamental design for a laryngoscope blade, as shown and described.

DESCRIPTION

FIG. 1 is a side elevation view of a laryngoscope blade showing the new ornamental design;

FIG. 2 is a perspective view from one side and above thereof;

FIG. 3 is a perspective view from one side and below;

FIG. 4 is a plan view from below;

FIG. 5 is a perspective view from the rear and one side;

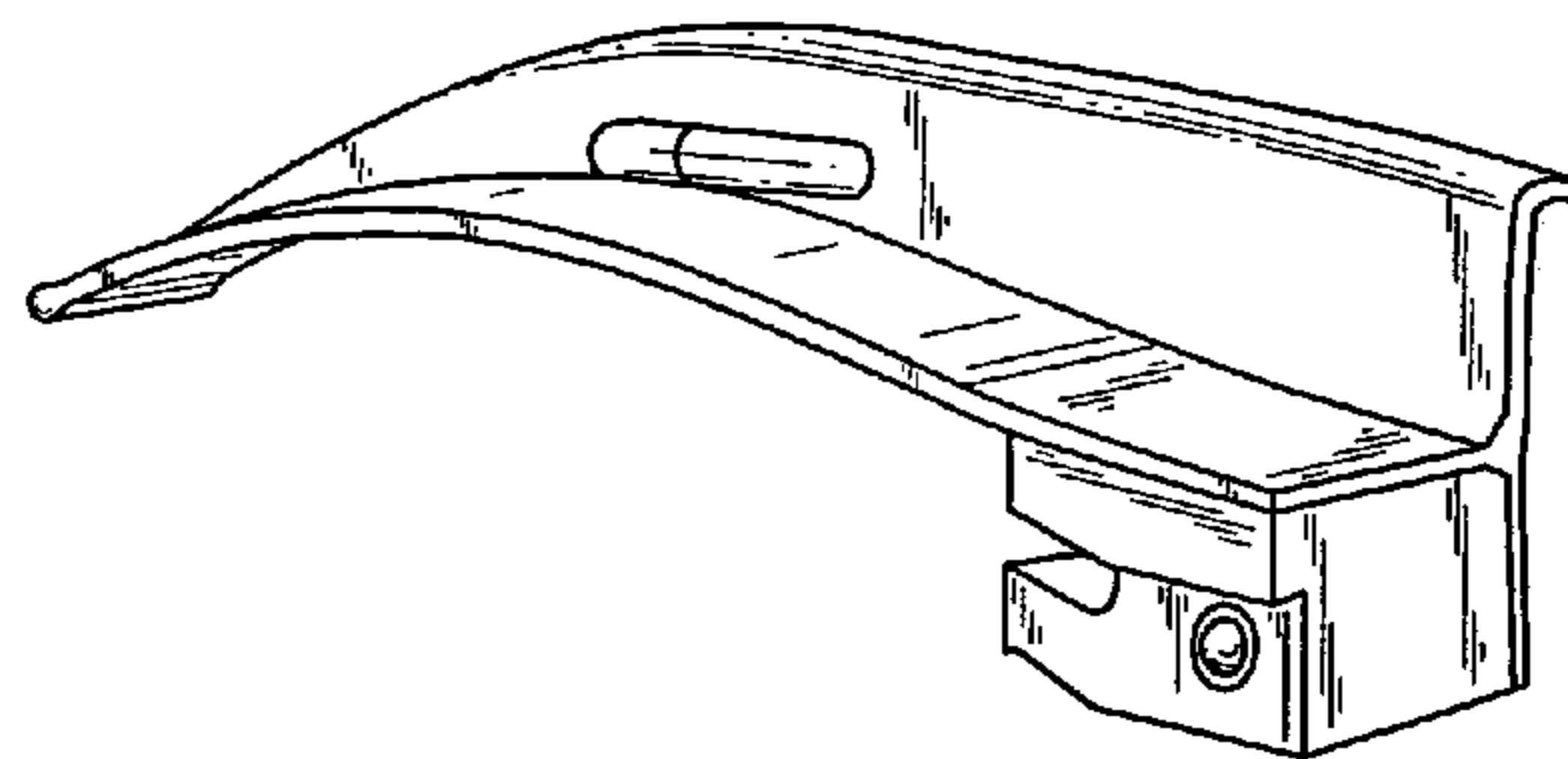
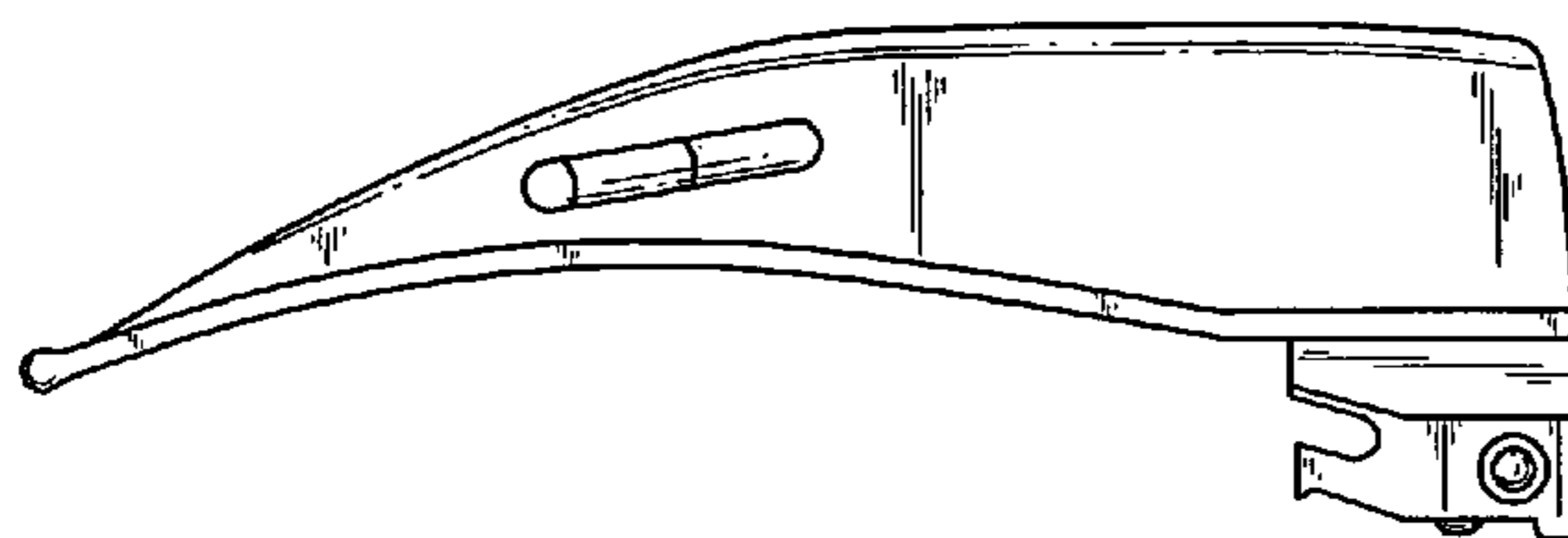
FIG. 6 is a front elevation view;

FIG. 7 is a perspective view from below and opposite side;

FIG. 8 is a plan view from above; and,

FIG. 9 is a side elevation view from the opposite side.

1 Claim, 3 Drawing Sheets



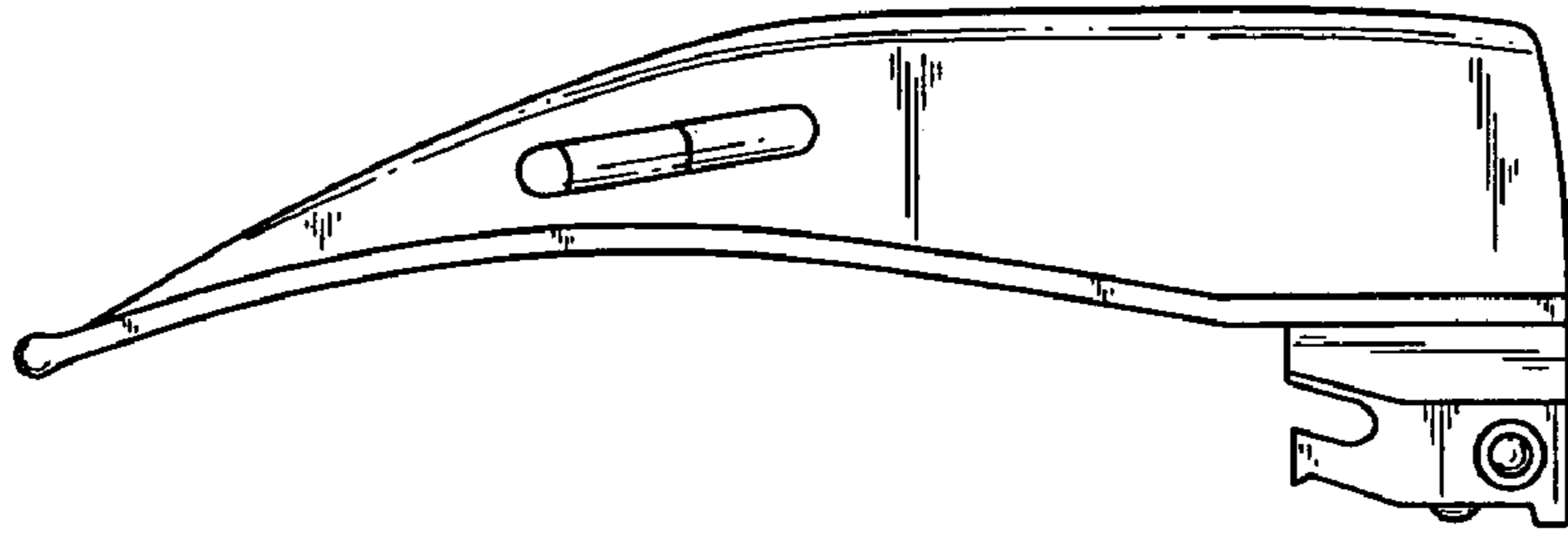


FIG. 1

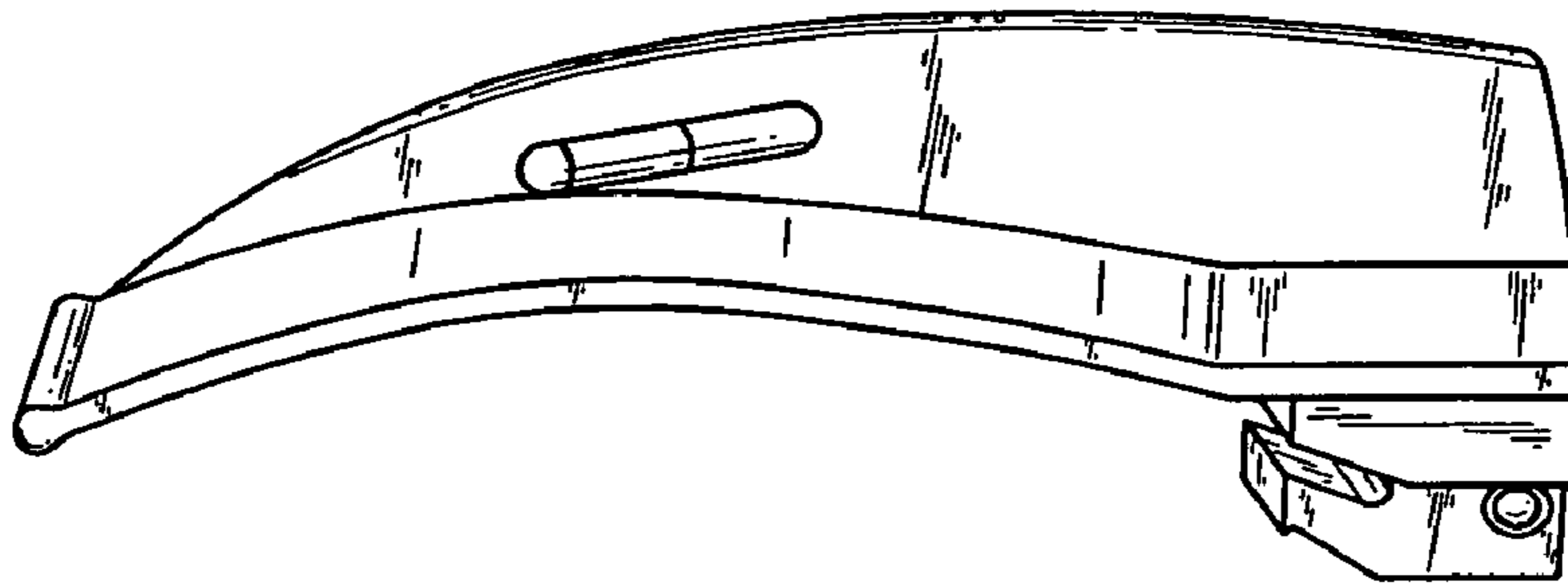


FIG. 2

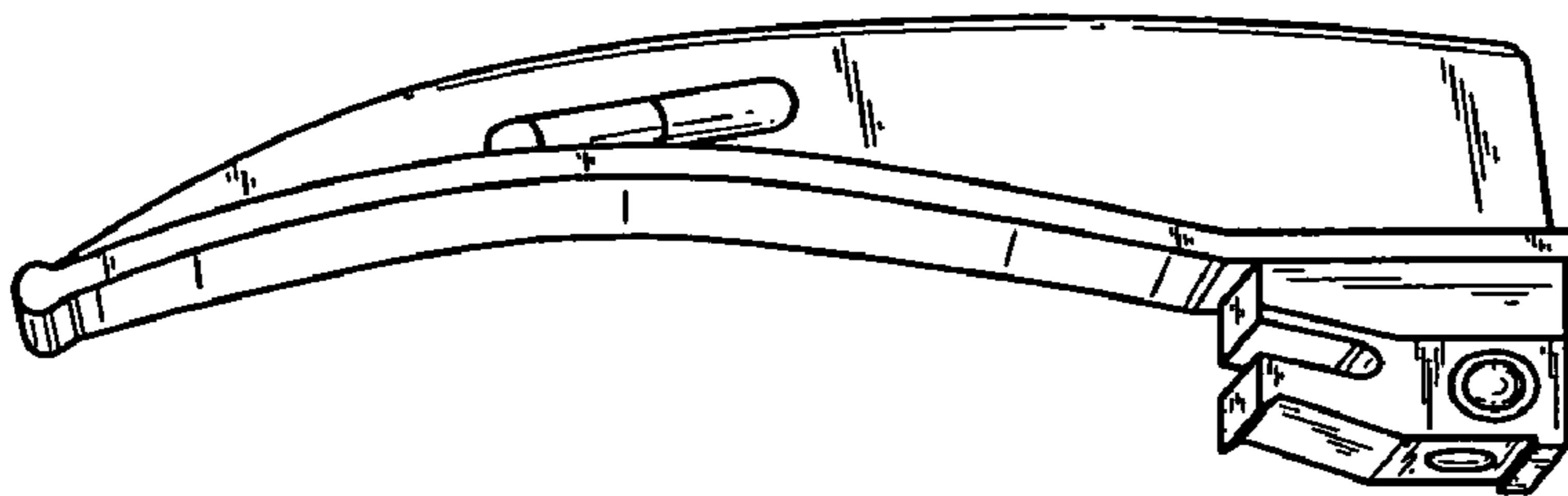


FIG. 3

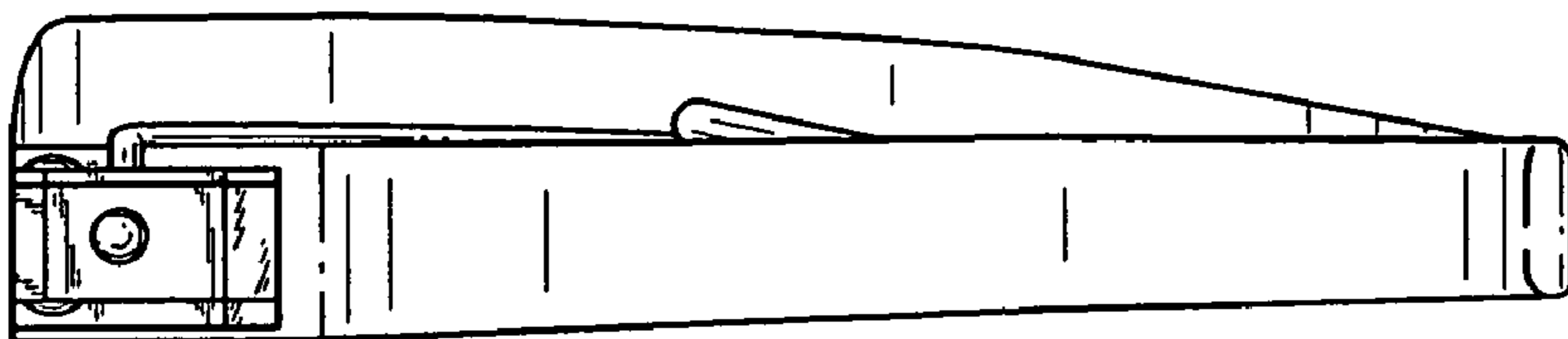


FIG. 4

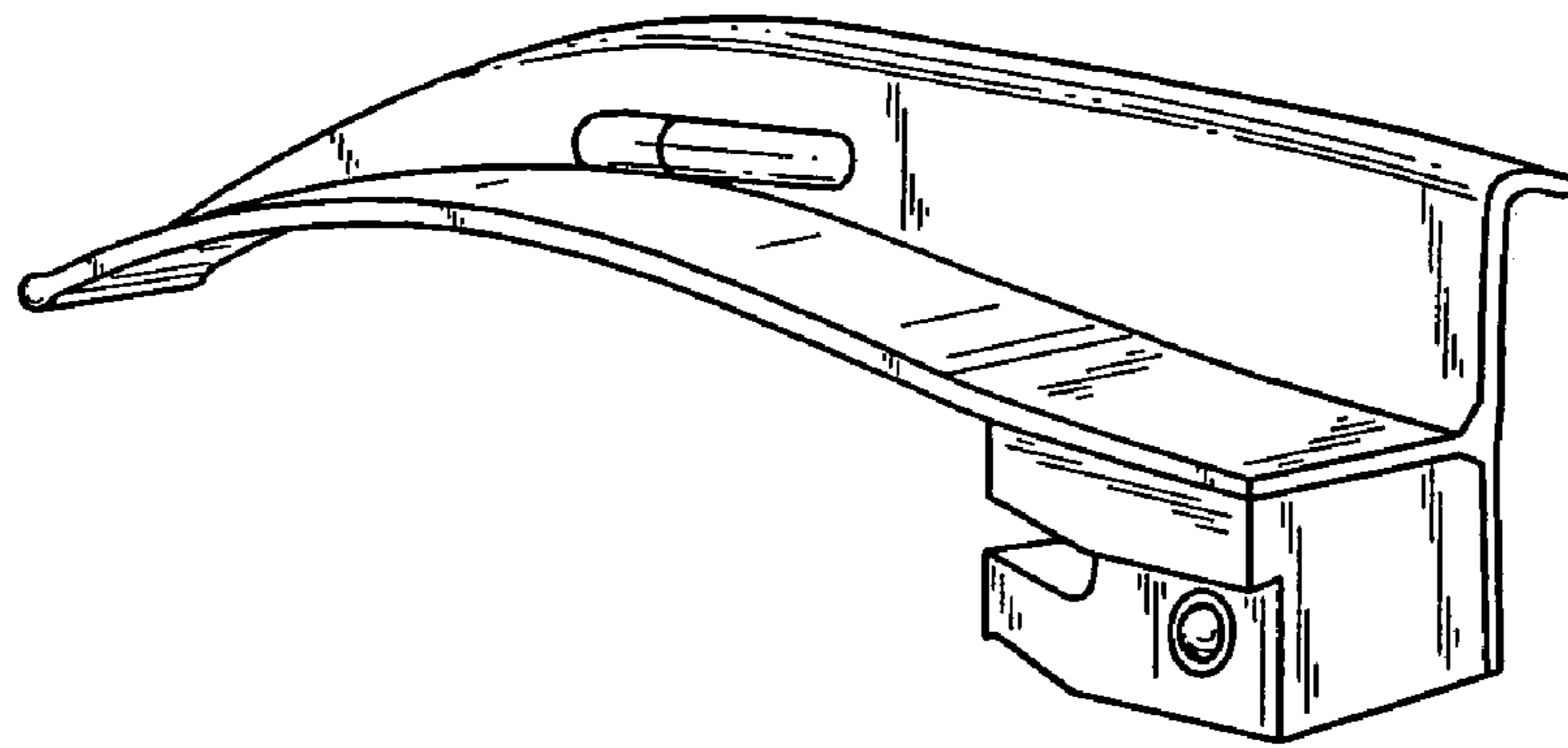


FIG. 5

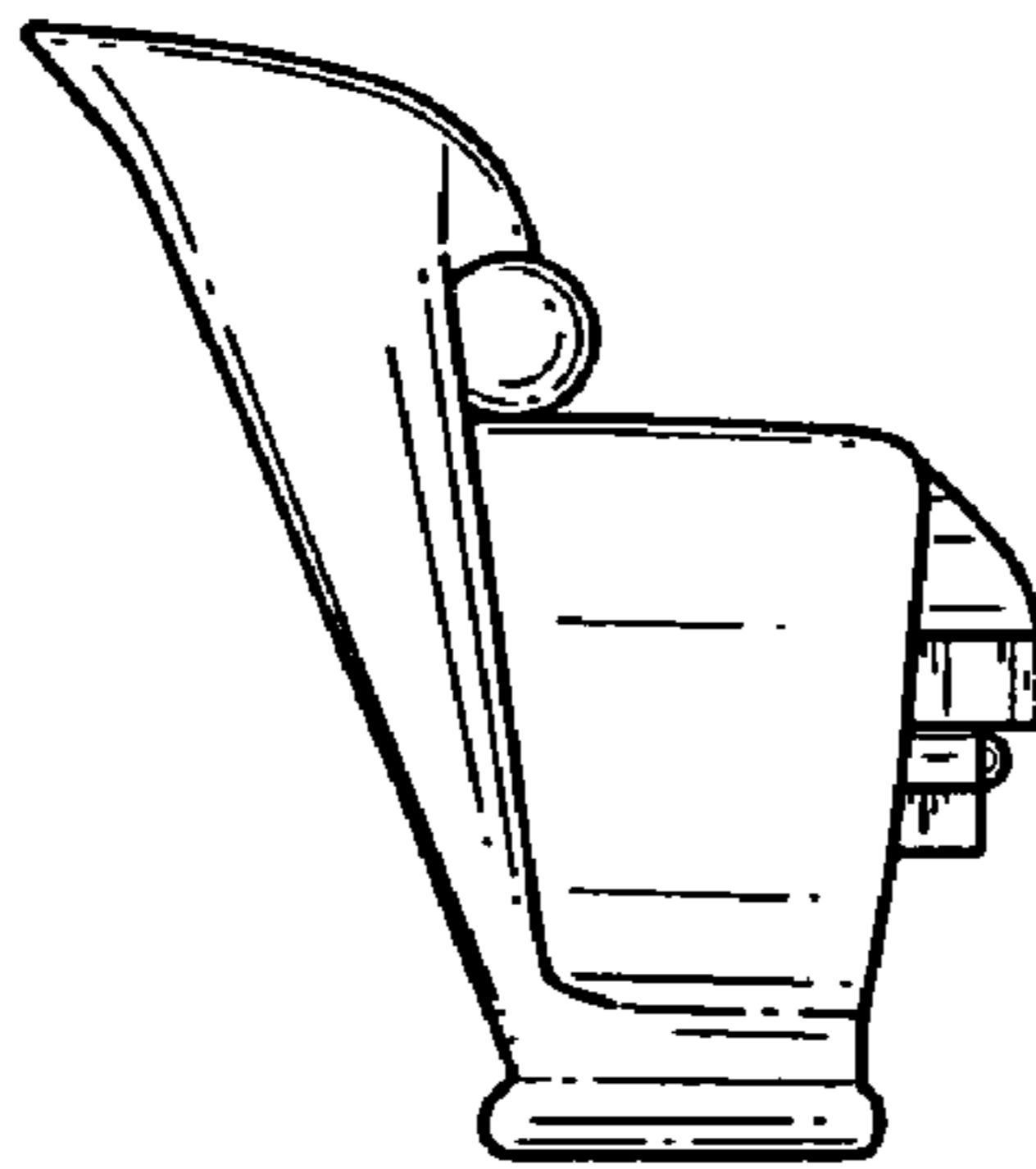


FIG. 6

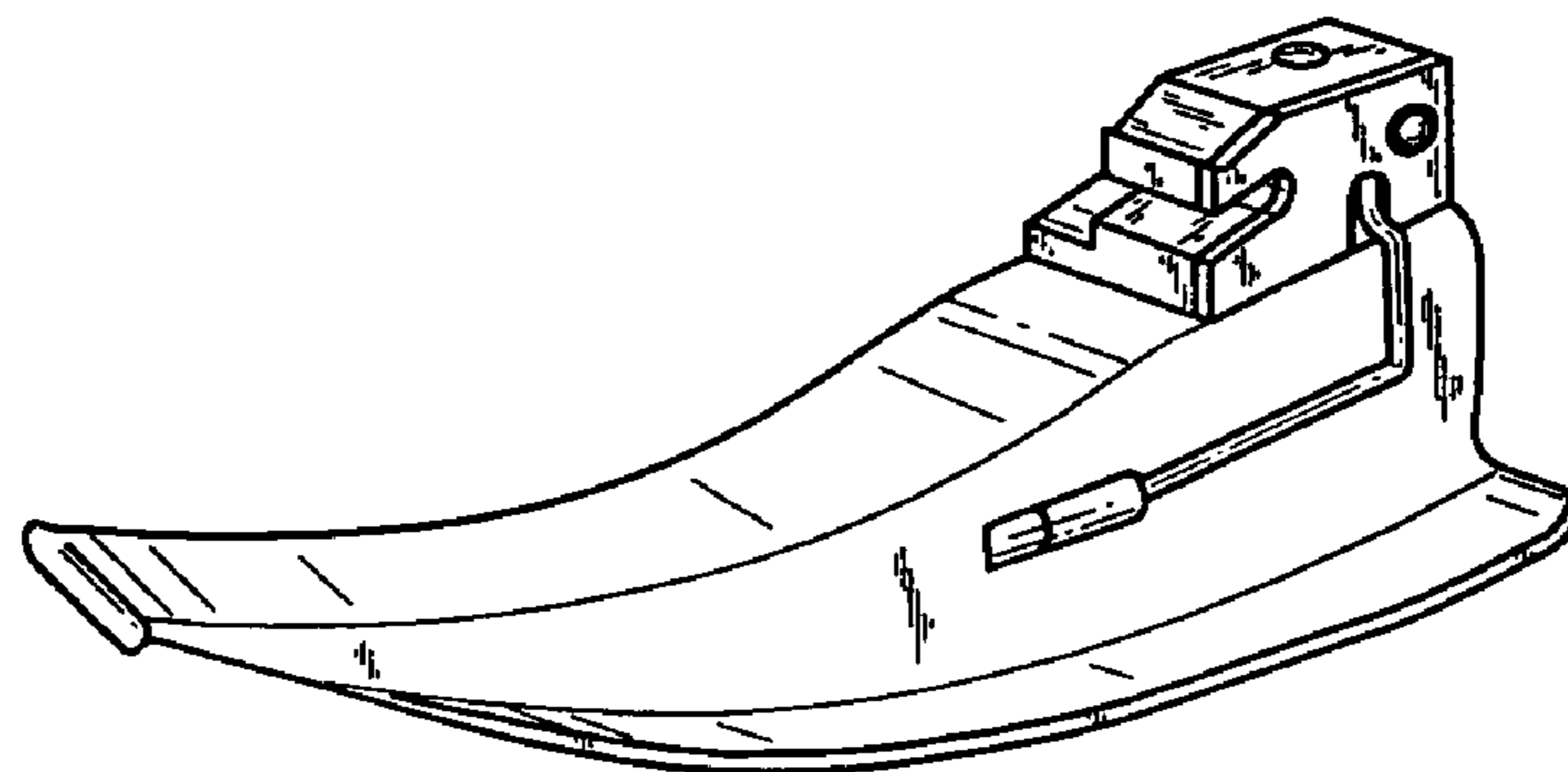


FIG. 7

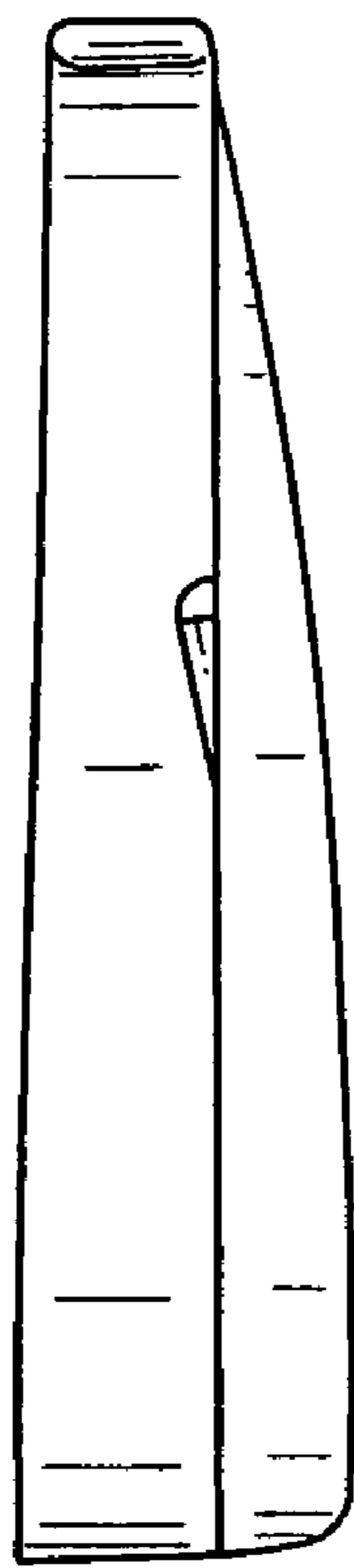


FIG. 8

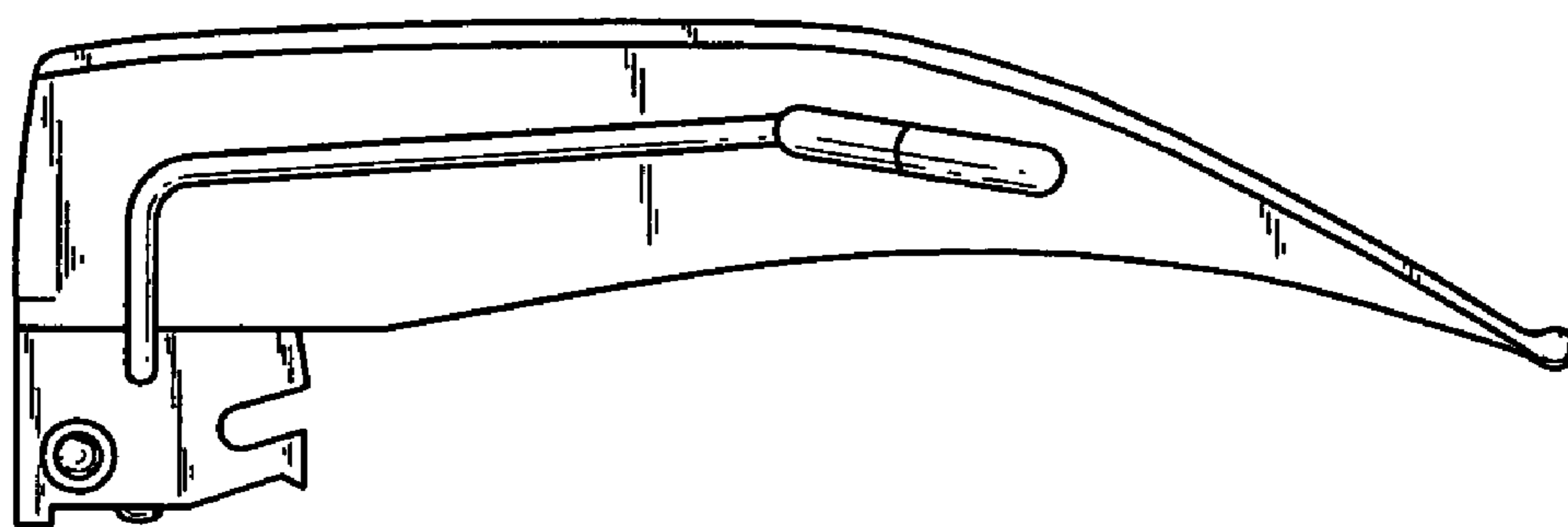


FIG. 9