



US00D547447S

(12) **United States Design Patent**
Bruce et al.

(10) **Patent No.:** **US D547,447 S**

(45) **Date of Patent:** **** Jul. 24, 2007**

(54) **POWER INJECTION SYSTEM**

(75) Inventors: **John Kevin Bruce**, Burlington, KY (US); **Tony Michael Guard**, Union, KY (US)

(73) Assignee: **Liebel-Flarsheim Company**, Cincinnati, OH (US)

(**) Term: **14 Years**

(21) Appl. No.: **29/227,140**

(22) Filed: **Apr. 7, 2005**

Related U.S. Application Data

(63) Continuation-in-part of application No. 10/964,002, filed on Oct. 13, 2004, and a continuation-in-part of application No. 10/964,003, filed on Oct. 13, 2004.

(51) **LOC (8) Cl.** **24-02**

(52) **U.S. Cl.** **D24/130**

(58) **Field of Classification Search** D24/112, D24/128, 130; D8/14.1; 128/DIG. 1; 600/432; 604/151, 152, 154, 223, 228; D16/133
See application file for complete search history.

(56) **References Cited**

U.S. PATENT DOCUMENTS

4,677,980 A	7/1987	Reilly et al.	128/655
4,695,271 A	9/1987	Goethel	604/49
5,279,569 A	1/1994	Neer et al.	604/154
D351,398 S *	10/1994	Meinzer	D16/133
5,662,612 A	9/1997	Niehoff	604/155
5,865,805 A	2/1999	Ziemba	604/154
5,913,844 A	6/1999	Ziemba et al.	604/154
D423,537 S *	4/2000	Lee	D16/133

6,080,136 A *	6/2000	Trull et al.	604/218
D446,578 S *	8/2001	Jansen et al.	D24/114
6,368,307 B1	4/2002	Ziemba et al.	604/218
D484,900 S *	1/2004	Lee et al.	D16/133
6,676,634 B1	1/2004	Spohn et al.	604/154
6,743,205 B2 *	6/2004	Nolan et al.	604/154
2005/0148868 A1 *	7/2005	Fago et al.	600/432
2006/0079842 A1 *	4/2006	Small et al.	604/151
2006/0079843 A1 *	4/2006	Brooks et al.	604/151
2006/0167415 A1 *	7/2006	Nemoto	604/154
2006/0184122 A1 *	8/2006	Nemoto	604/154

* cited by examiner

Primary Examiner—Louis S. Zarfaz
Assistant Examiner—Eric Goodman
(74) *Attorney, Agent, or Firm*—Wood, Herron & Evans, LLP

(57) **CLAIM**

The ornamental design for a power injection system, as shown and described.

DESCRIPTION

FIG. 1 is a perspective view of the design;

FIG. 2 is a front view;

FIG. 3 is a left side view;

FIG. 4 is a right side view;

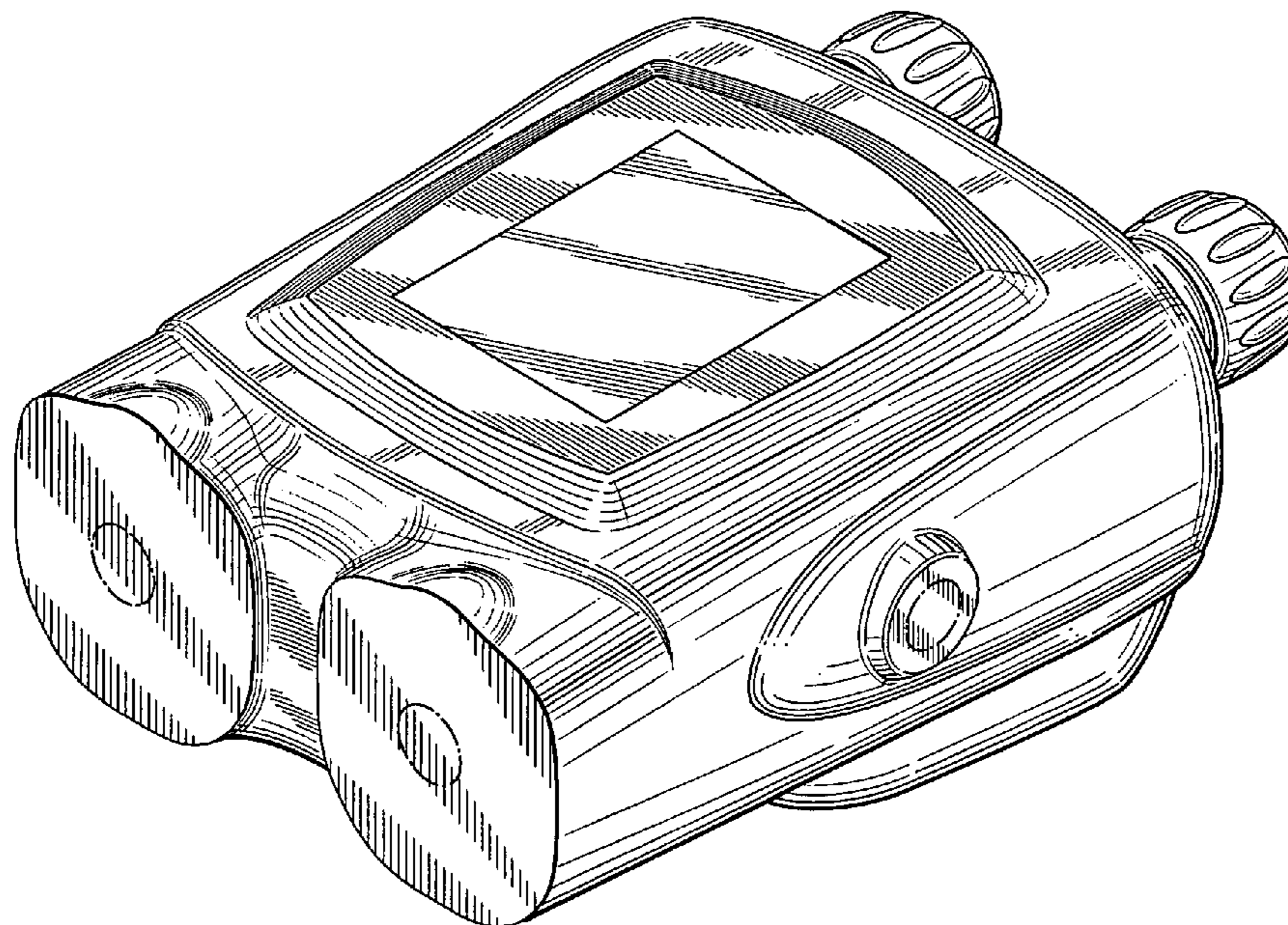
FIG. 5 is a rear view;

FIG. 6 is a top view; and,

FIG. 7 is a bottom view.

The broken line showing is for illustrative purposes and forms no part of the claimed design.

1 Claim, 6 Drawing Sheets



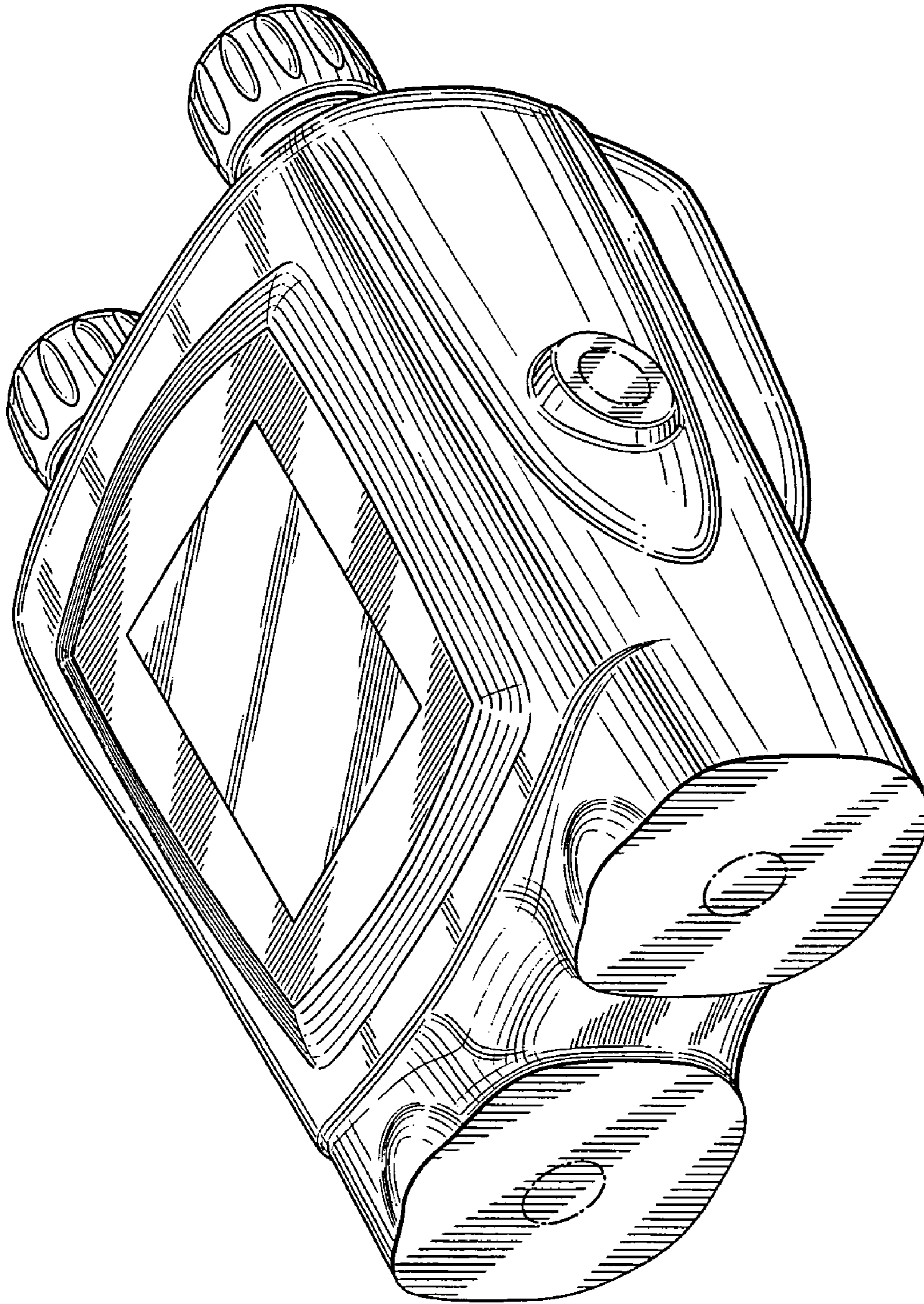


FIG. 1

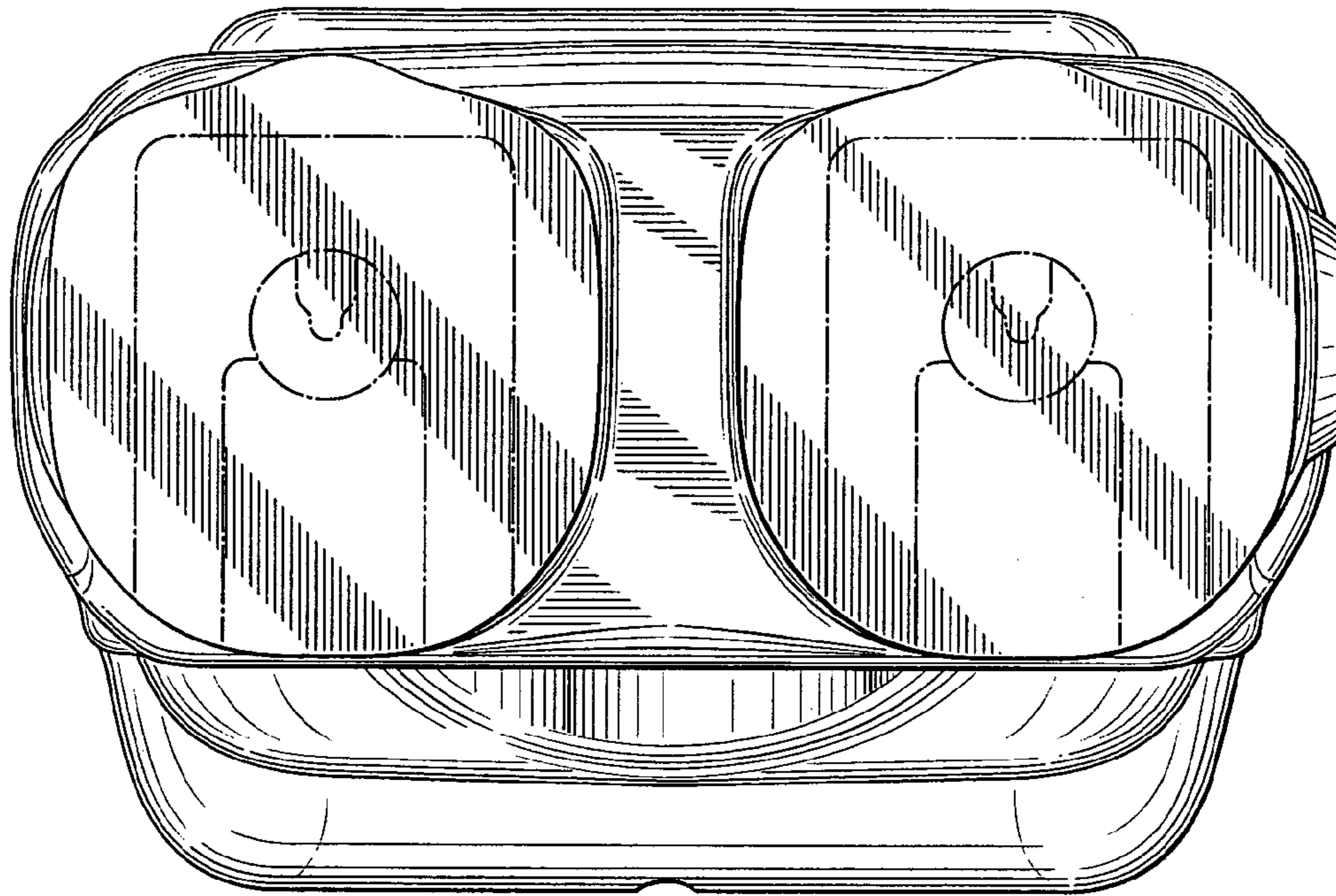


FIG. 2

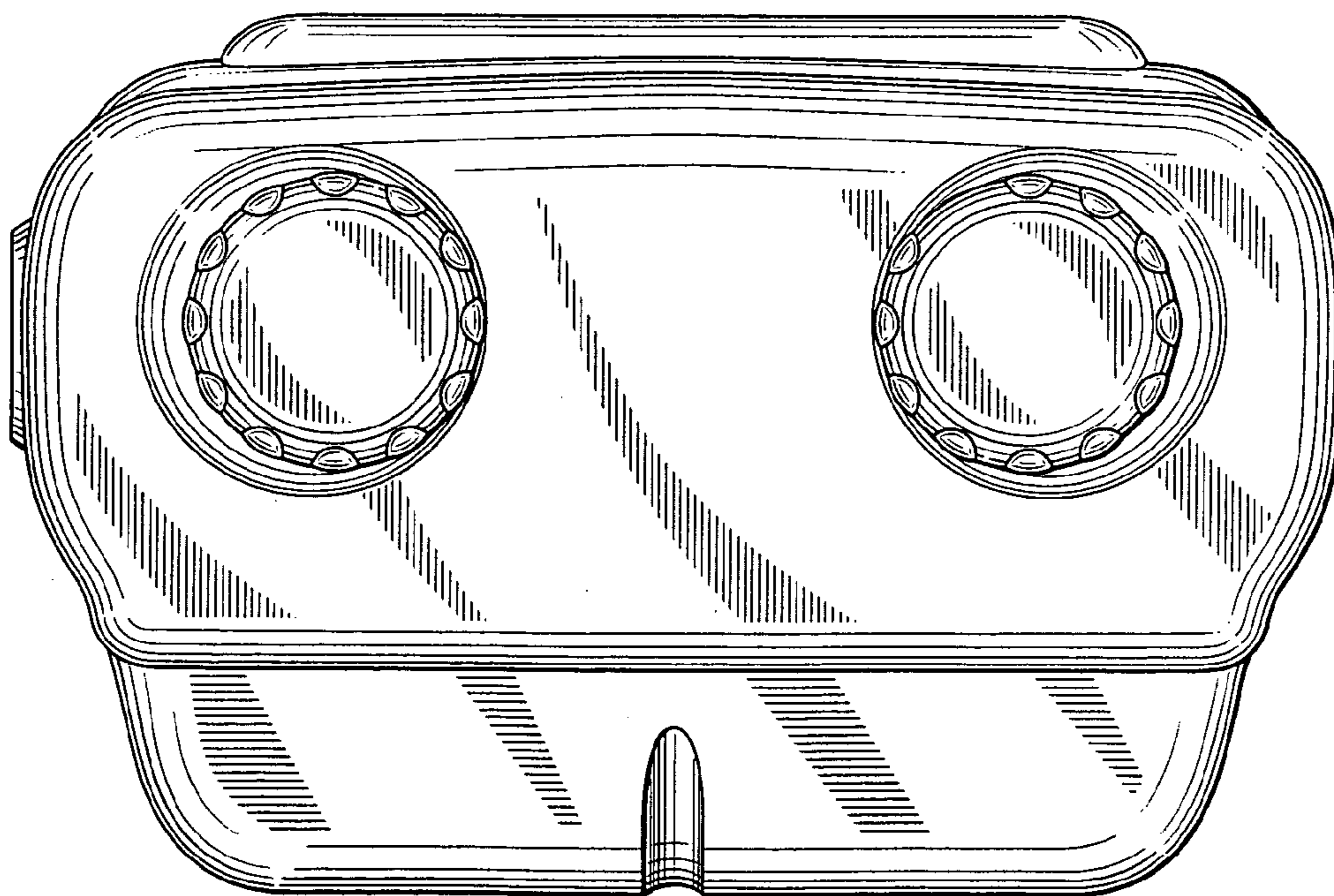


FIG. 5

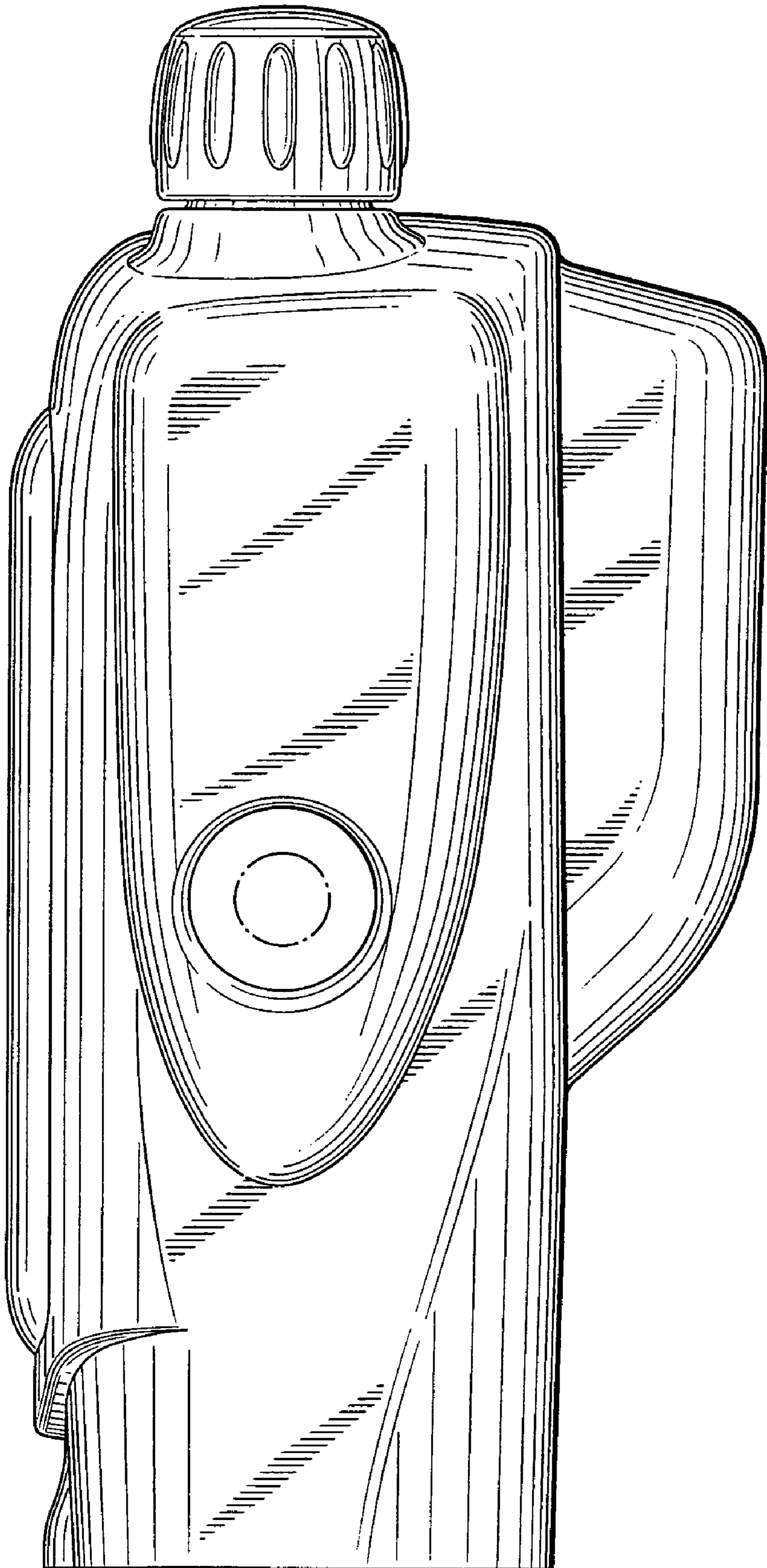


FIG. 3

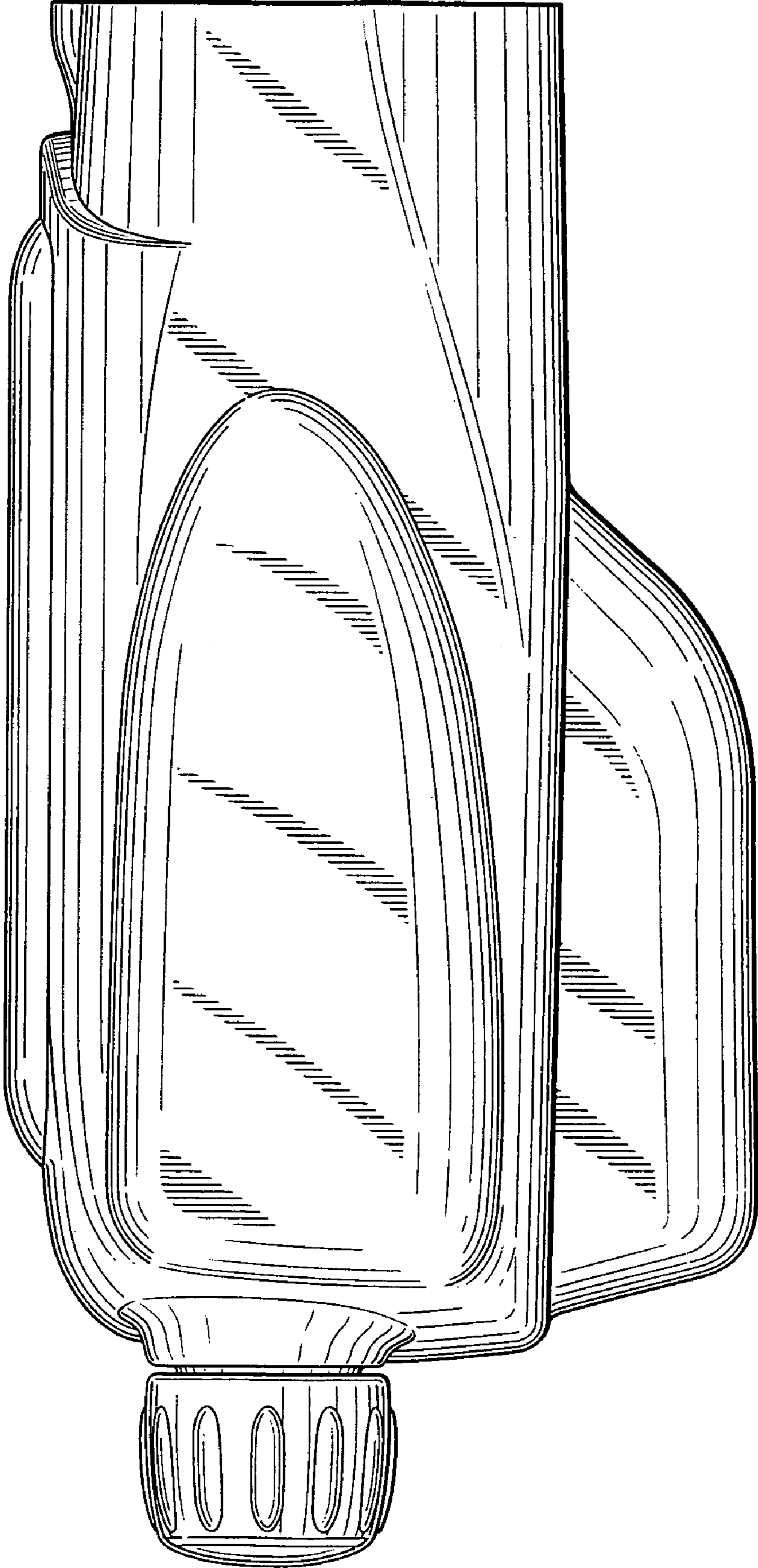


FIG. 4

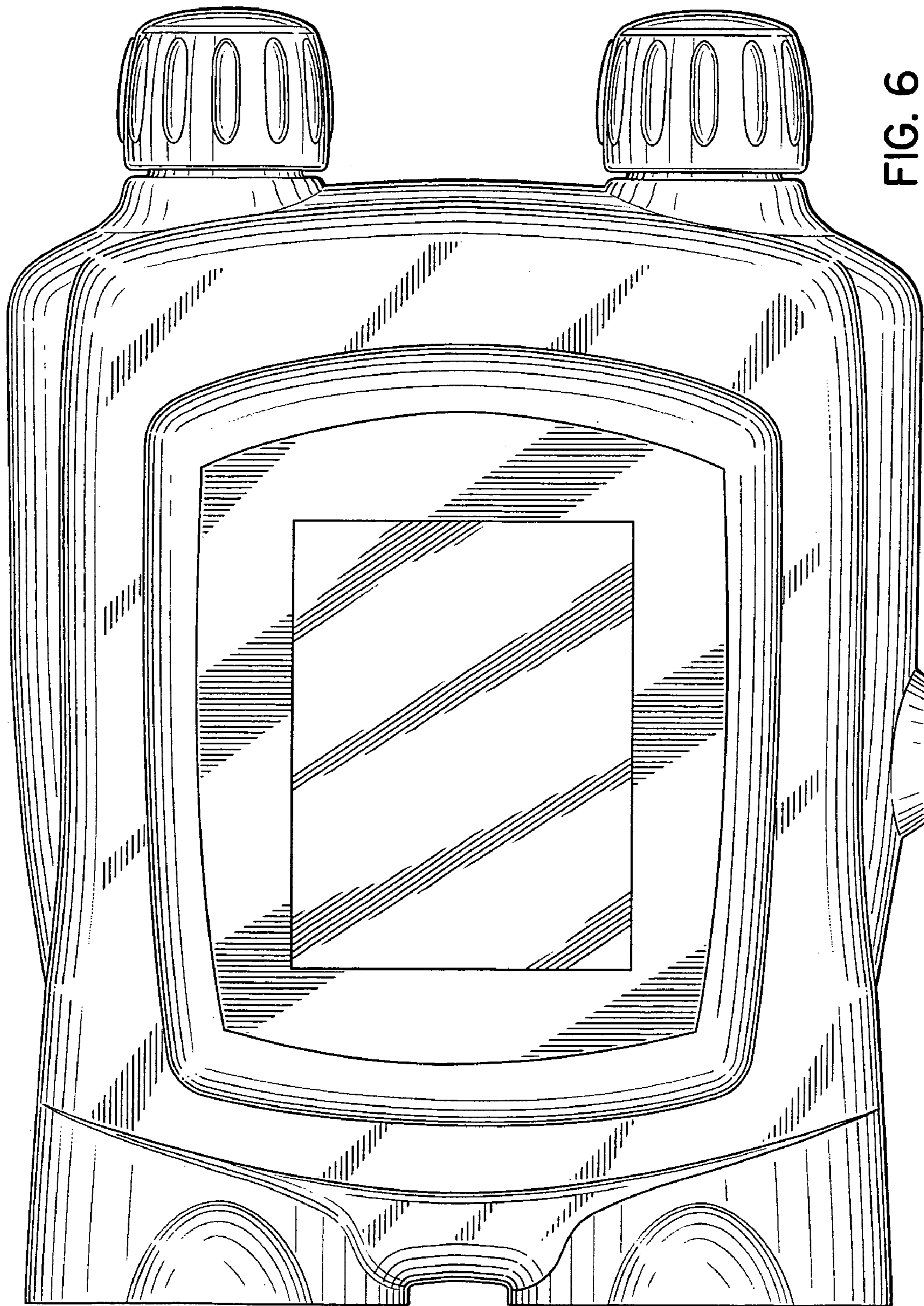


FIG. 6

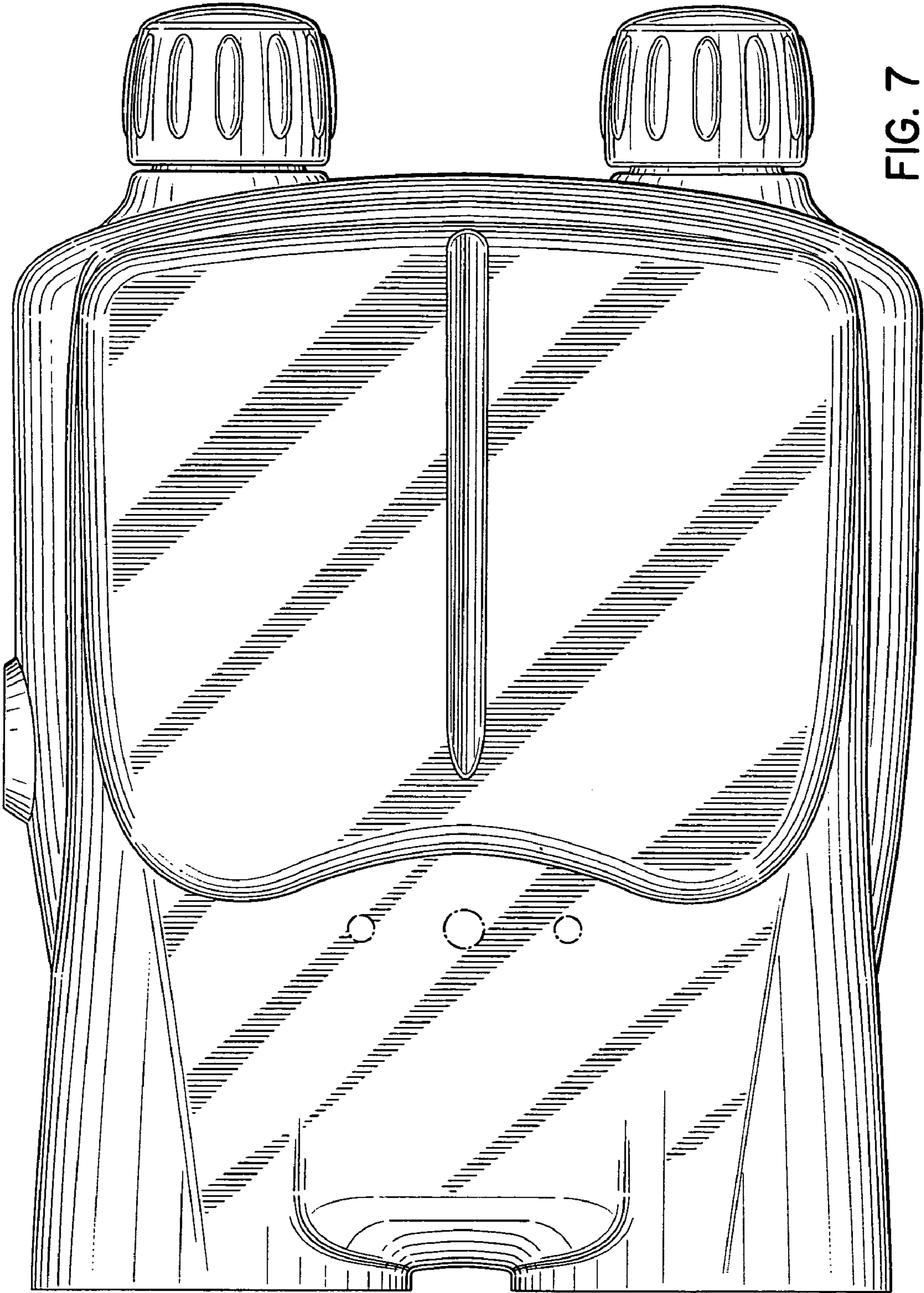


FIG. 7