

US00D547440S

(12) **United States Design Patent**  
**Louet-Feisser**

(10) **Patent No.:** **US D547,440 S**

(45) **Date of Patent:** **\*\* Jul. 24, 2007**

(54) **VAPORIZING DEVICE**

(75) Inventor: **Darren Louet-Feisser**, Carlingford (IE)

(73) Assignee: **Oglesby & Butler Limited**, Carlow (IE)

(\*\*) Term: **14 Years**

(21) Appl. No.: **29/263,806**

(22) Filed: **Jul. 31, 2006**

(51) **LOC (8) Cl.** ..... **29-02**

(52) **U.S. Cl.** ..... **D24/110**

(58) **Field of Classification Search** ..... D24/110,  
D24/164, 129; D23/360, 362, 366, 355,  
D23/356; 131/194, 243; 128/200.16, 200.24,  
128/203.12, 203.14, 203.17, 203.26, 204.13;  
392/386, 390

See application file for complete search history.

(56) **References Cited**

**U.S. PATENT DOCUMENTS**

D258,685 S *	3/1981	Reichl	.....	D23/360
D427,300 S *	6/2000	Pinchuk	.....	D23/364
6,990,978 B2 *	1/2006	Shayan	.....	128/203.27
D537,930 S *	3/2007	Nelson	.....	D23/366
D538,914 S *	3/2007	Nelson	.....	D23/366
7,185,659 B2 *	3/2007	Sharpe	.....	131/243

\* cited by examiner

*Primary Examiner*—Ian Simmons

*Assistant Examiner*—Christopher Lee

(74) *Attorney, Agent, or Firm*—Sughrue Mion, PLLC

(57) **CLAIM**

The ornamental design for a vaporizing device, as shown and described.

**DESCRIPTION**

FIG. 1 is a front, top, right side perspective view of a vaporizing device according to my design;

FIG. 2 is a rear, top, right side perspective view thereof;

FIG. 3 is a front, bottom, right side perspective view thereof;

FIG. 4 is a front, top and left side perspective view thereof;

FIG. 5 is a bottom perspective view thereof;

FIG. 6 is a top perspective view thereof;

FIG. 7 is a front elevational view thereof;

FIG. 8 is a rear elevational view thereof;

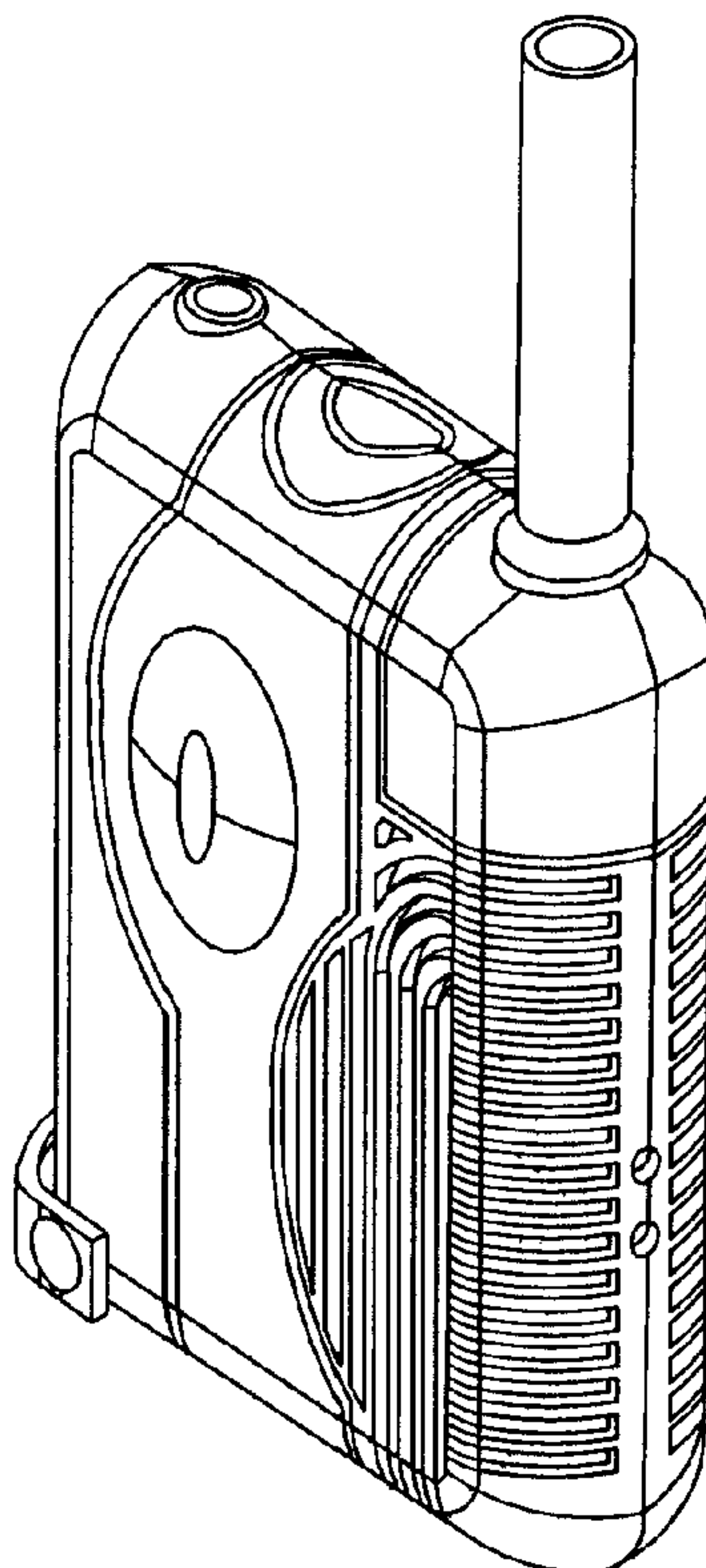
FIG. 9 is a right side elevational view thereof;

FIG. 10 is a left side elevational view thereof;

FIG. 11 is a top plan view thereof; and,

FIG. 12 is a bottom plan view.

**1 Claim, 8 Drawing Sheets**



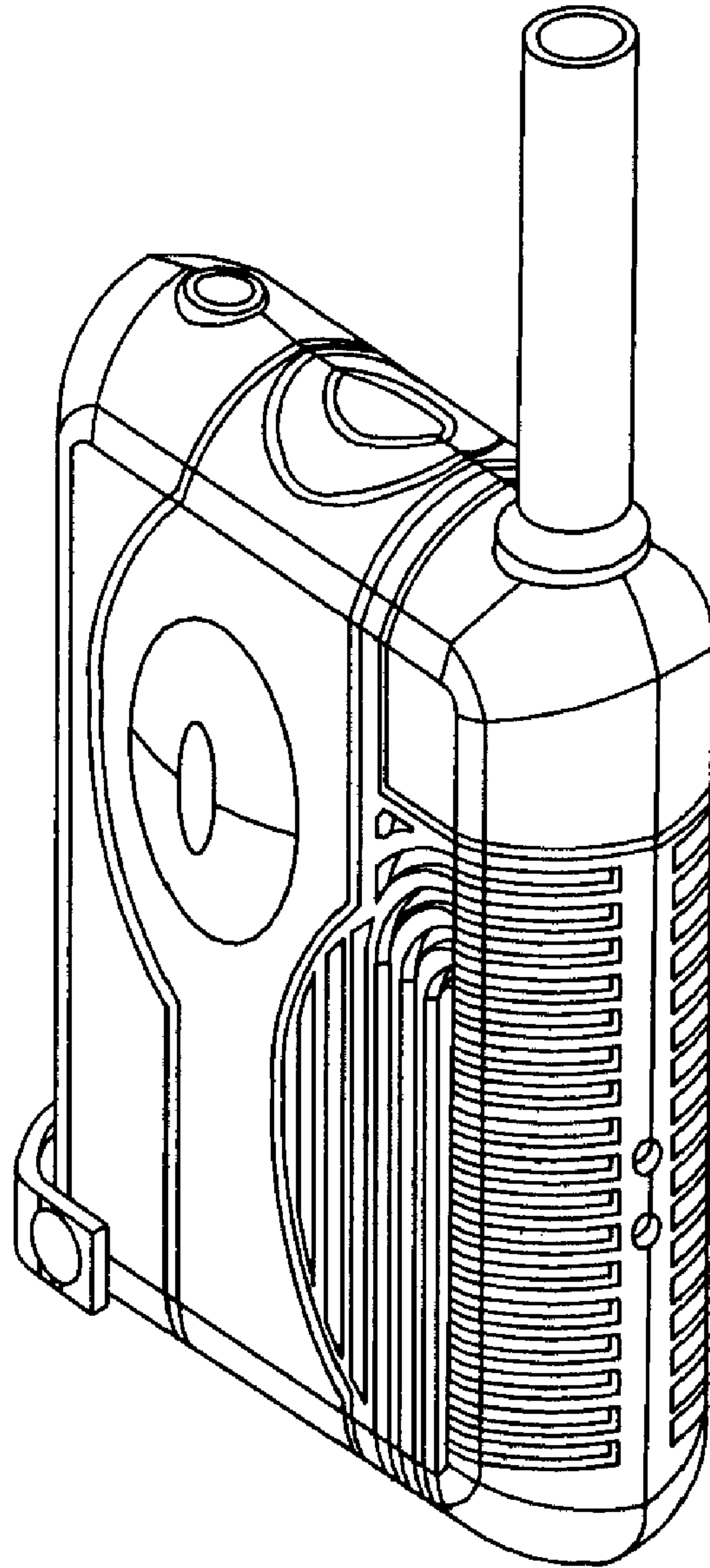


Fig. 1

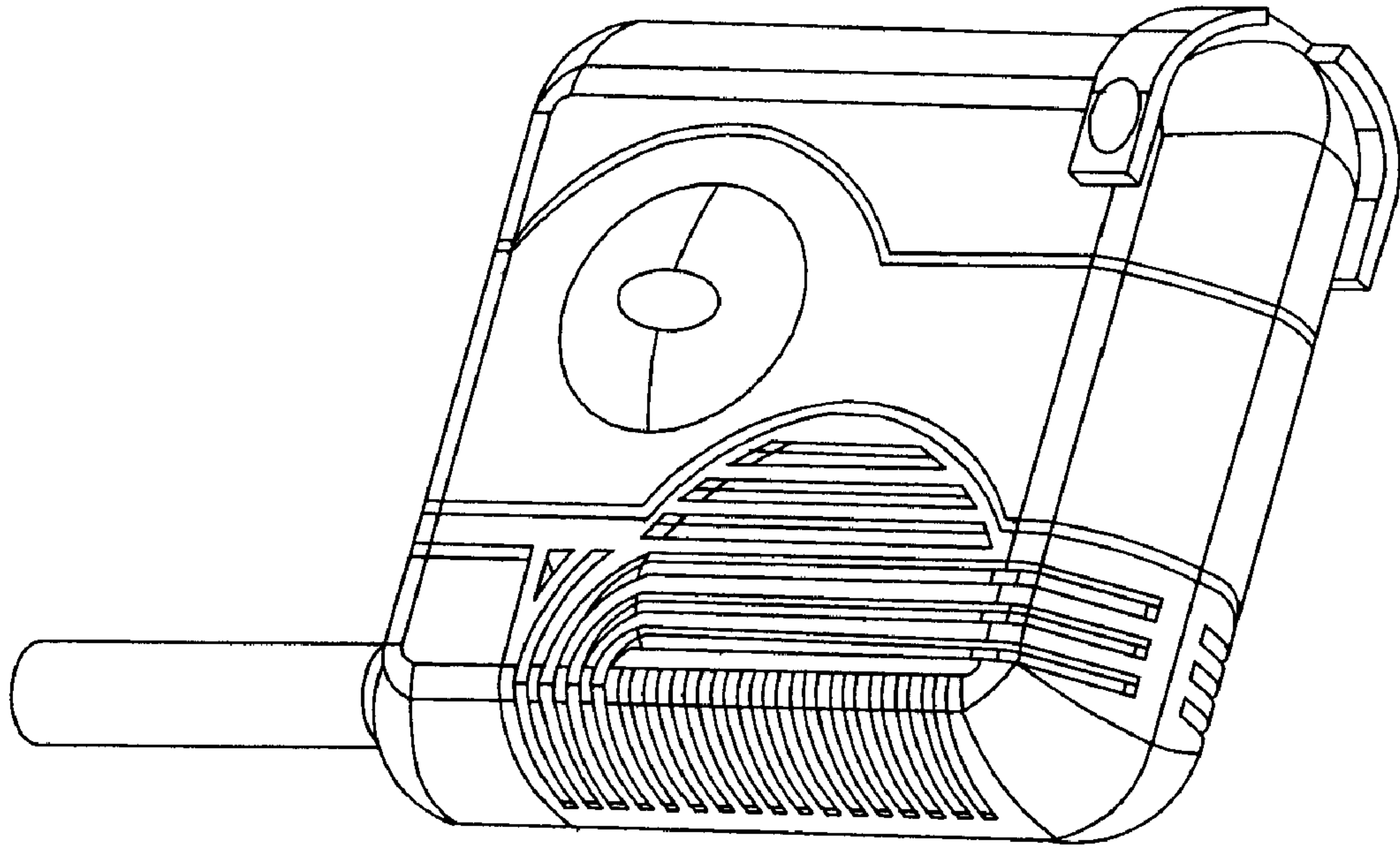


Fig. 2

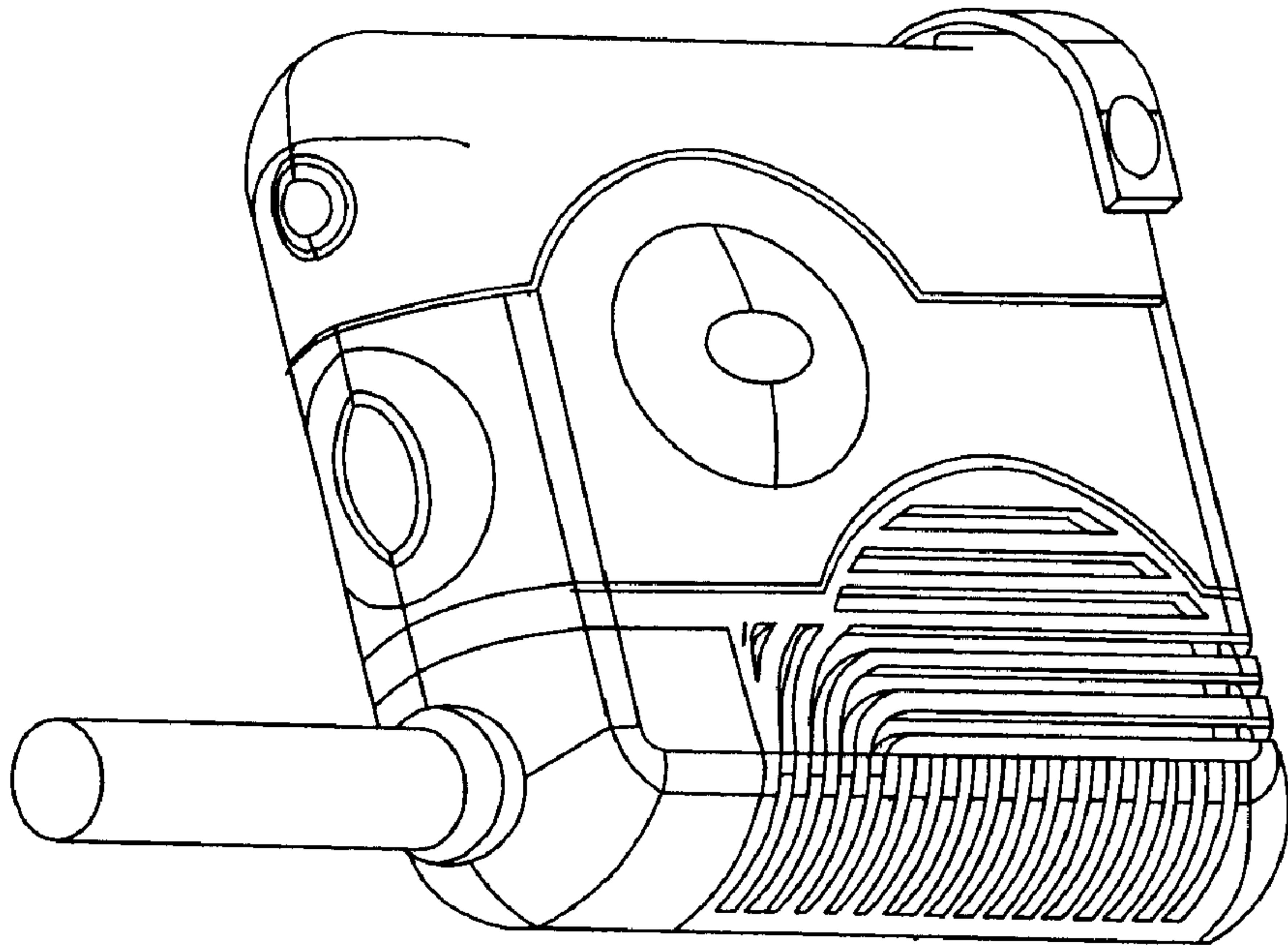


Fig. 3

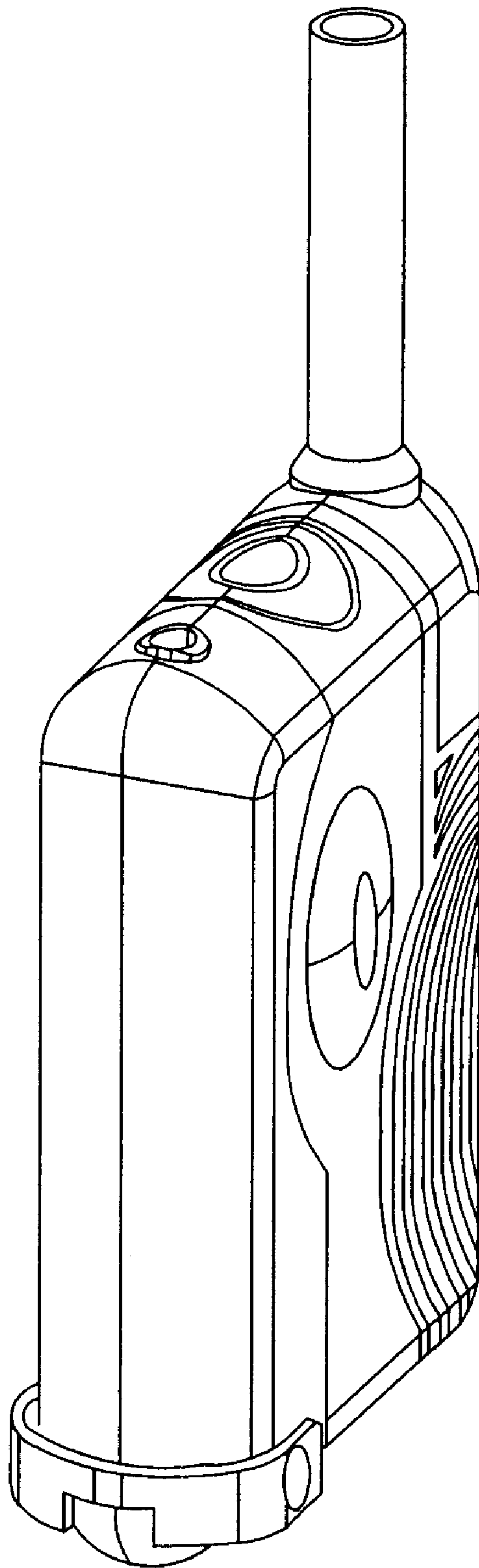
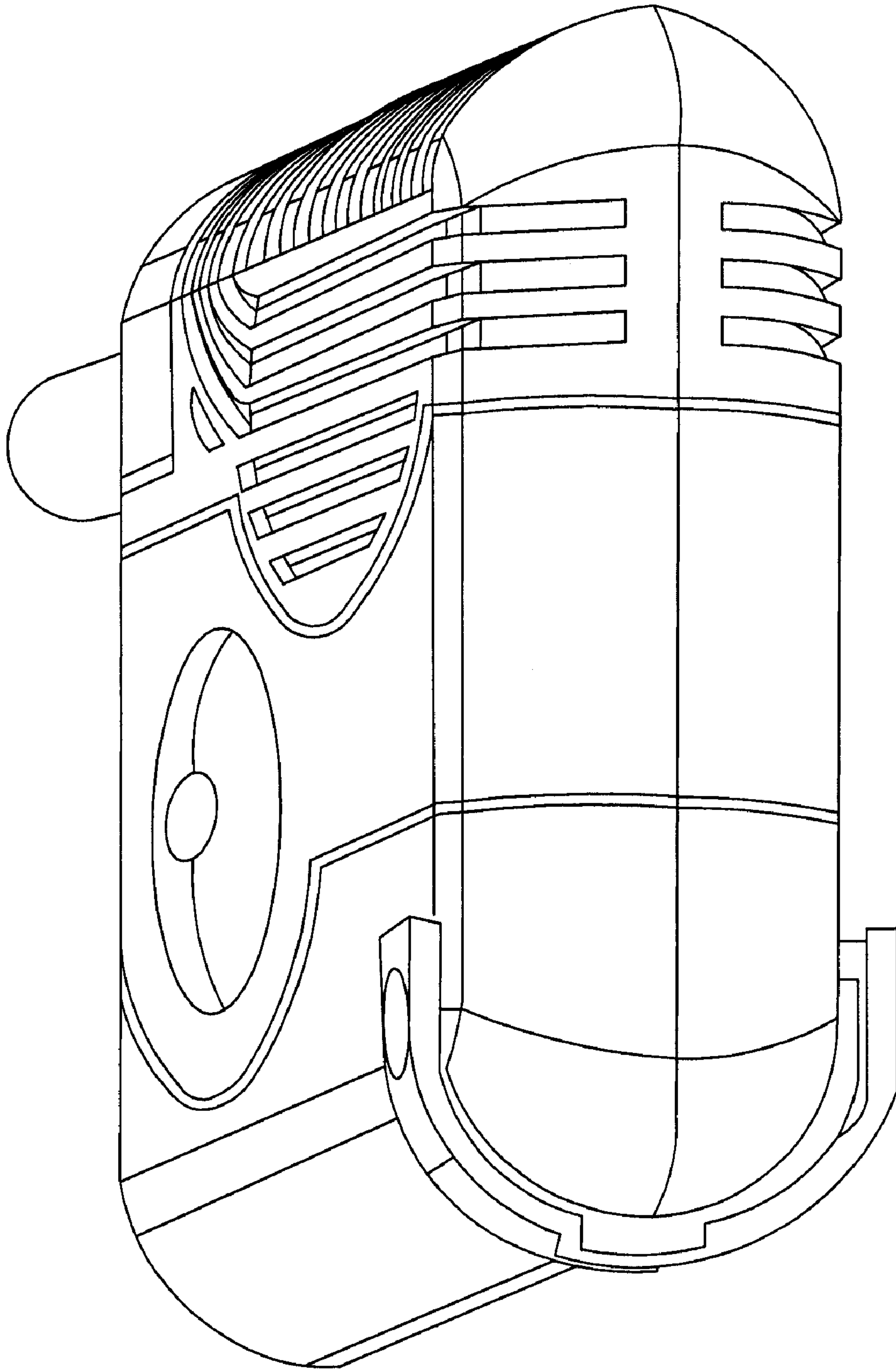


Fig. 4

Fig. 5





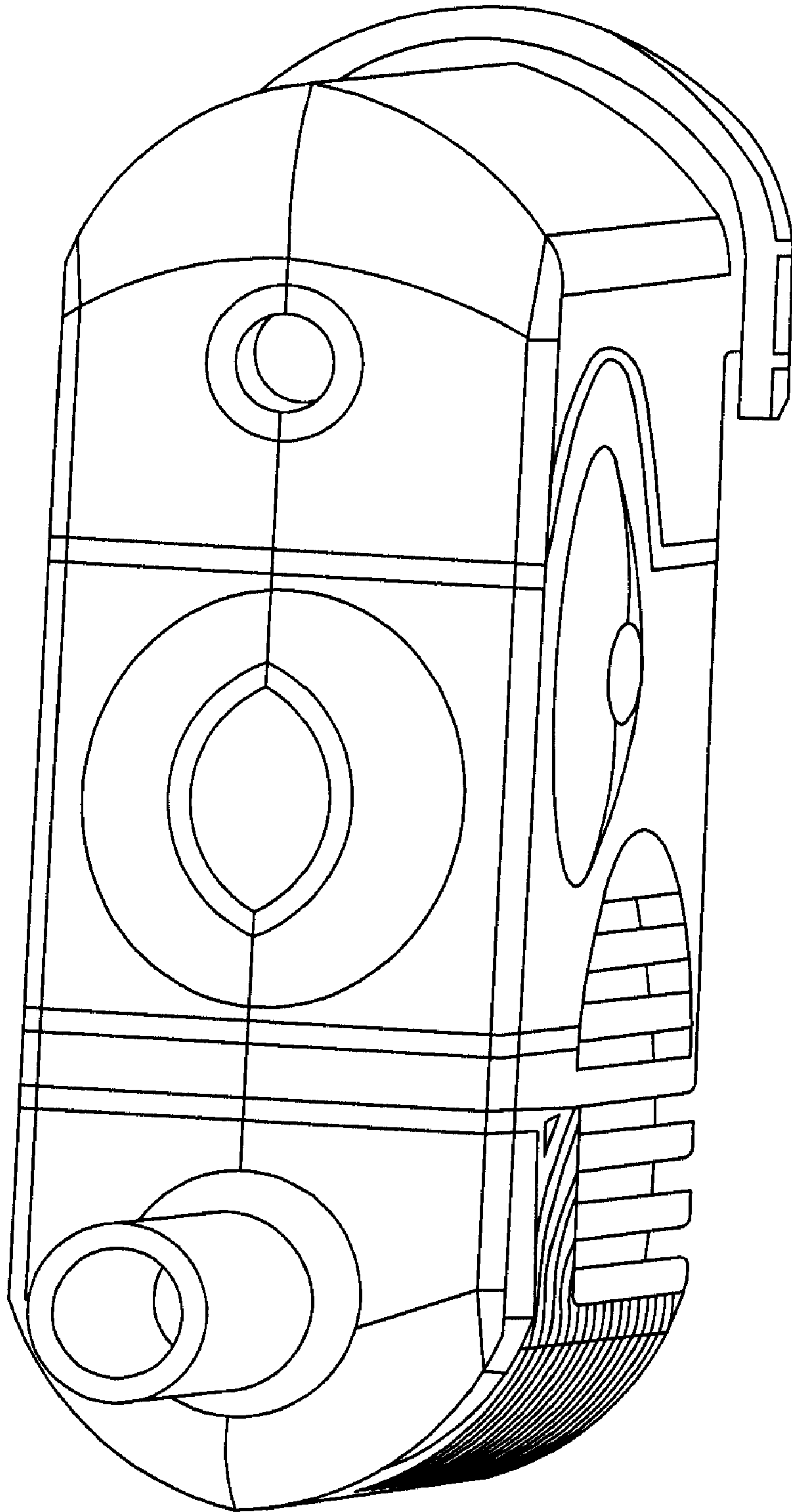


Fig. 6

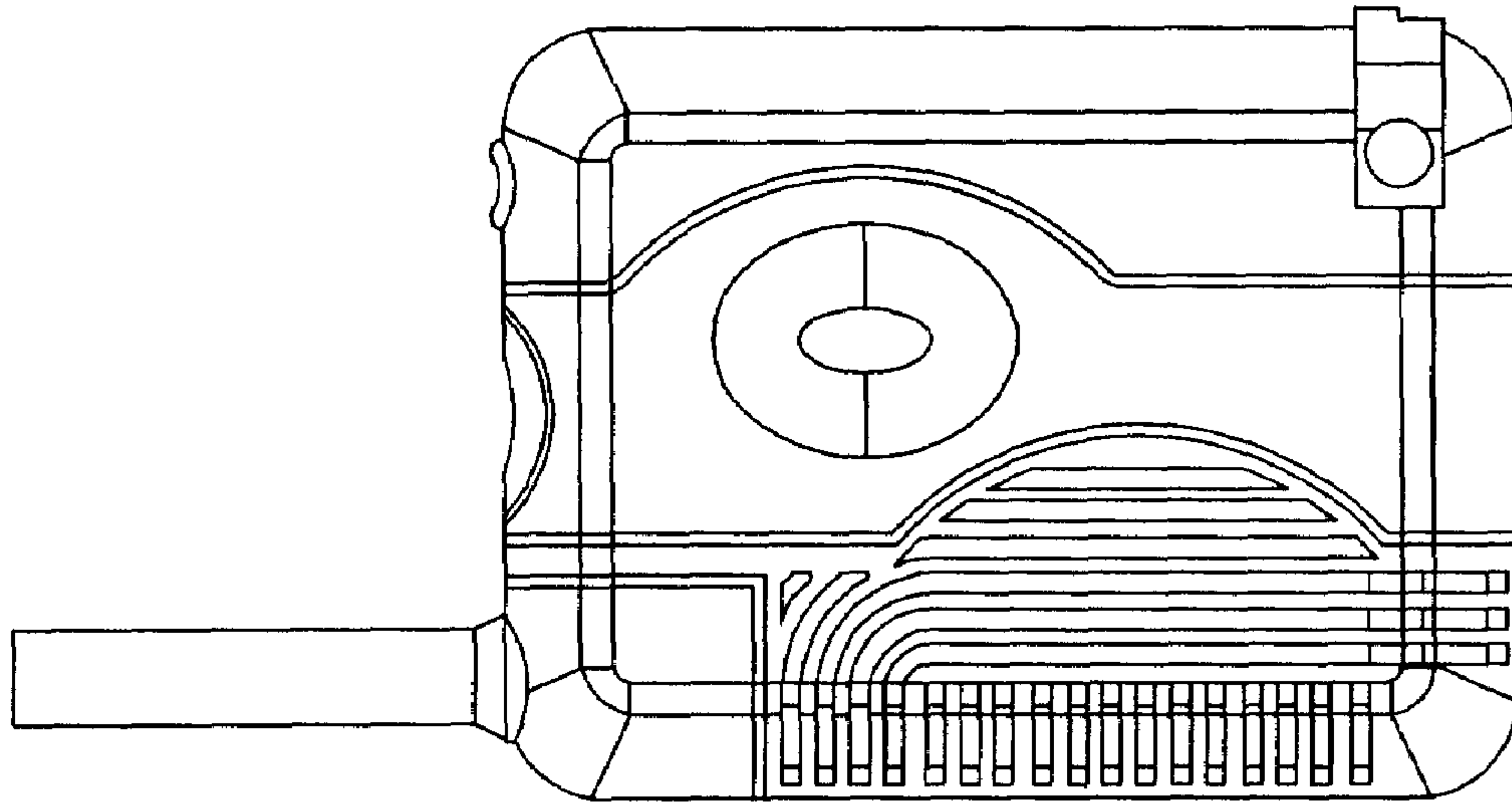


Fig. 7

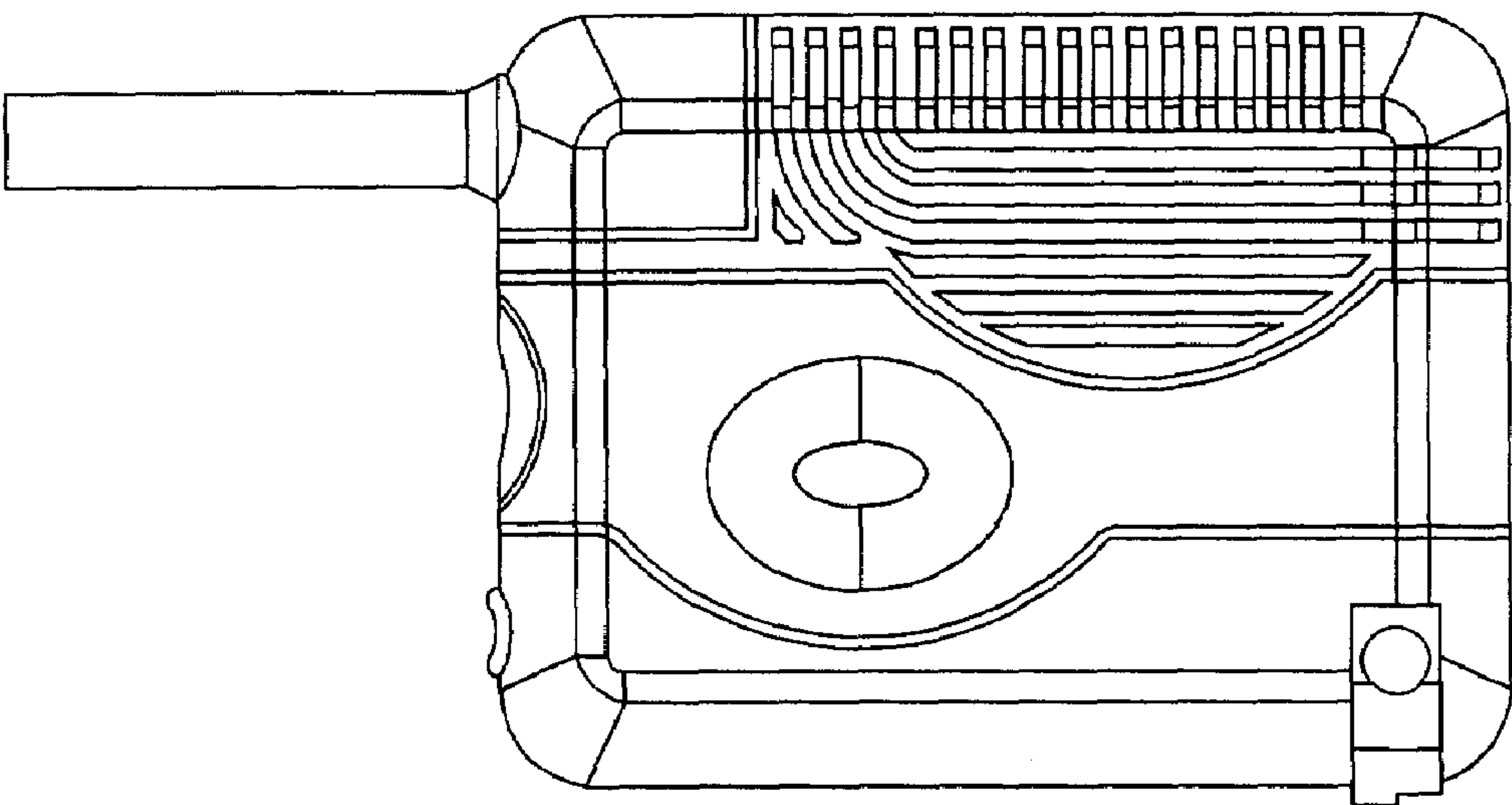


Fig. 8

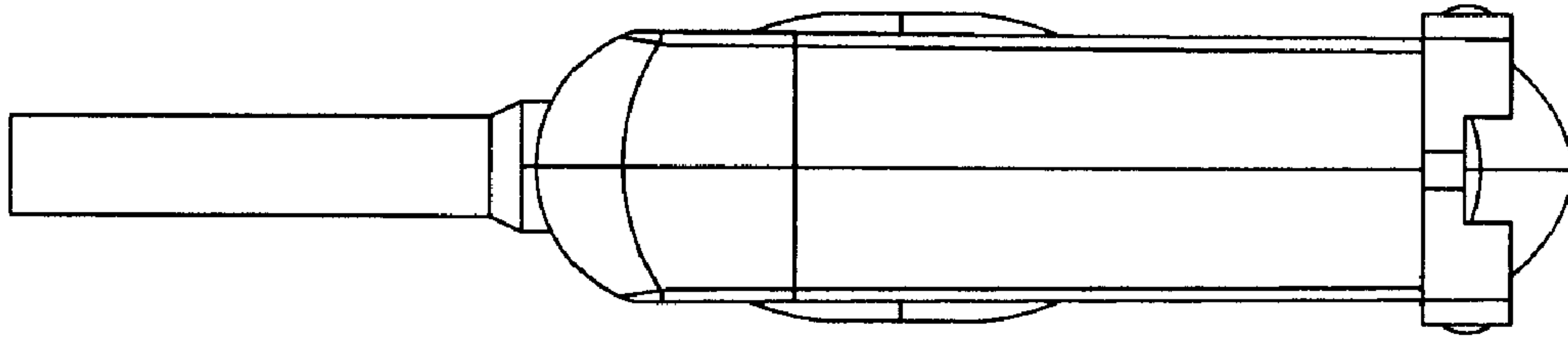


Fig. 9

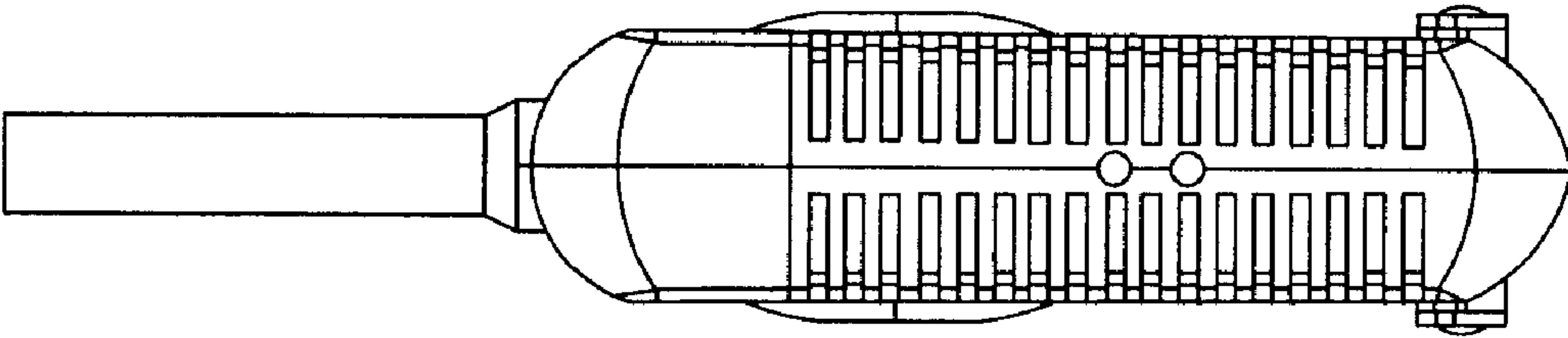


Fig. 10



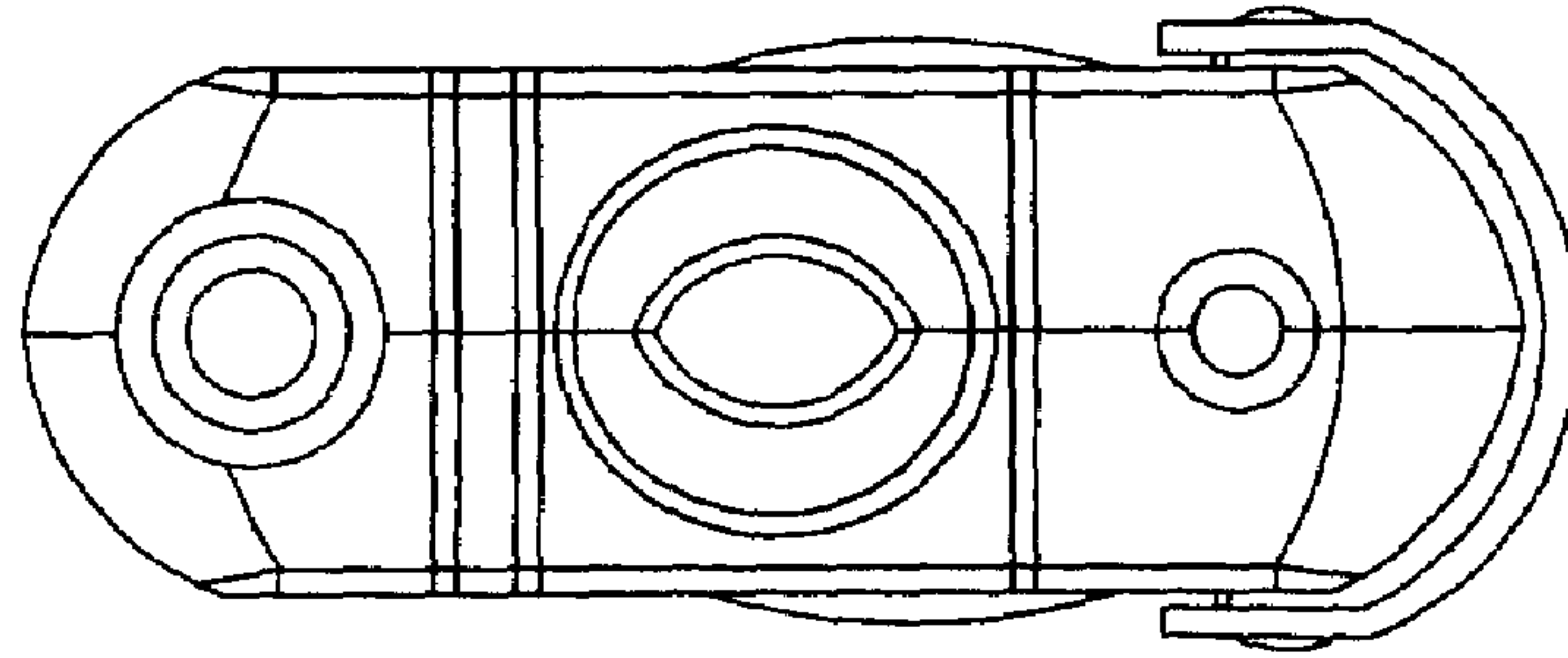


Fig. 11

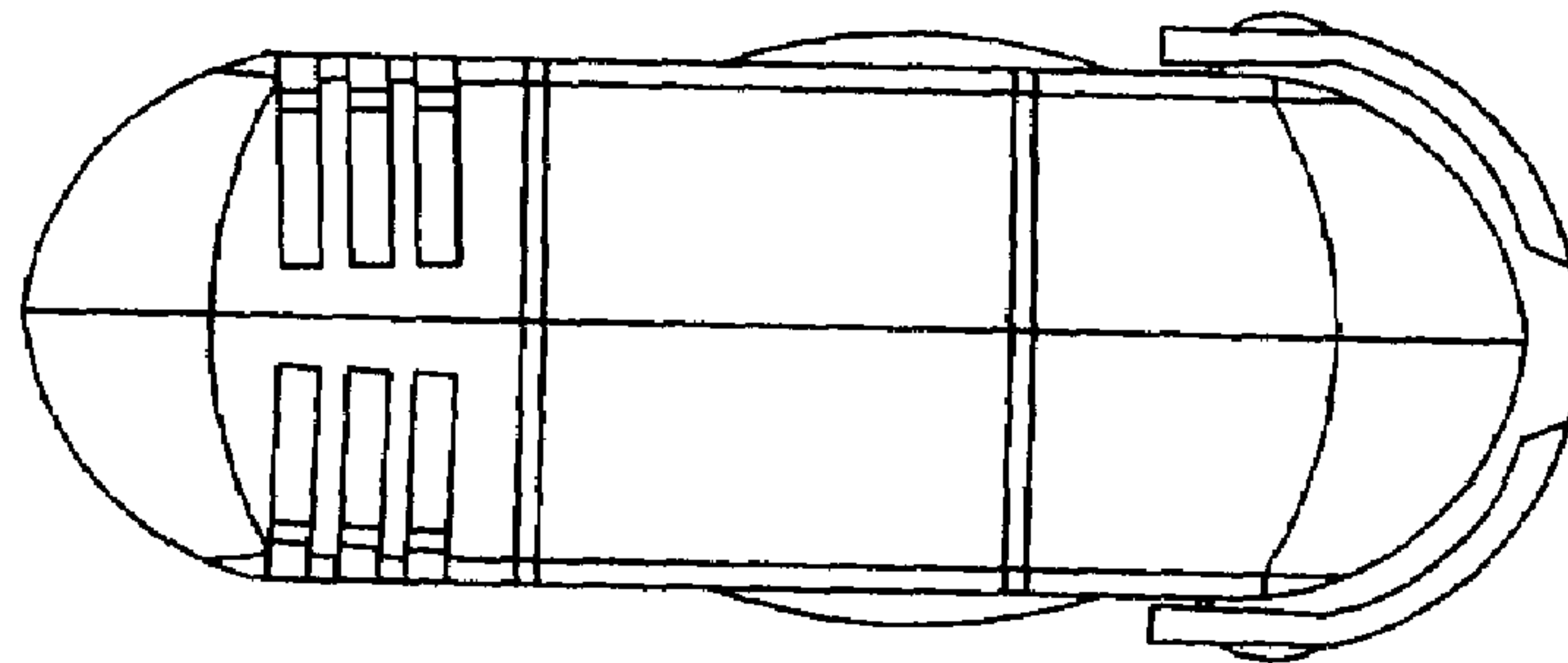


Fig. 12