



US00D547438S

(12) **United States Design Patent**
Lewis

(10) **Patent No.:** **US D547,438 S**

(45) **Date of Patent:** **** Jul. 24, 2007**

(54) **PORTABLE NEGATIVE PRESSURE WOUND CARE APPLIANCE**

(75) Inventor: **Randall Clark Lewis**, Simi Valley, CA (US)

(73) Assignee: **KCI Licensing, Inc.**, San Antonio, TX (US)

(**) Term: **14 Years**

(21) Appl. No.: **29/218,598**

(22) Filed: **Dec. 4, 2004**

(51) **LOC (8) Cl.** **24-01**

(52) **U.S. Cl.** **D24/108; D24/111**

(58) **Field of Classification Search** D24/108, D24/133, 145, 146, 147, 186, 169, 111; 604/313, 604/317, 327, 543, 540, 304, 305, 541, 355; 601/6, 7, 11; 602/2, 36, 42, 54
See application file for complete search history.

(56) **References Cited**

U.S. PATENT DOCUMENTS

4,250,882	A *	2/1981	Adair	604/355
D353,667	S *	12/1994	Tsubota et al.	D24/111
D380,546	S *	7/1997	Clegg et al.	D24/111
6,248,084	B1 *	6/2001	Augustine et al.	602/2
6,283,931	B1 *	9/2001	Augustine	602/2
6,293,917	B1 *	9/2001	Augustine et al.	602/2
6,458,109	B1 *	10/2002	Henley et al.	604/304
D468,822	S *	1/2003	Greter	D24/109

D469,176	S *	1/2003	Hall et al.	D24/111
D475,132	S *	5/2003	Randolph	D24/108
6,573,420	B2 *	6/2003	Stapf et al.	602/42
D488,558	S *	4/2004	Hall	D24/108
6,755,807	B2 *	6/2004	Risk et al.	604/305
2002/0026133	A1 *	2/2002	Augustine et al.	602/2
2002/0198504	A1 *	12/2002	Risk et al.	604/305
2003/0014022	A1 *	1/2003	Lockwood et al.	602/42

* cited by examiner

Primary Examiner—Ian Simmons

Assistant Examiner—Wan Laymon

(57) **CLAIM**

The ornamental design for a portable negative pressure wound care appliance, as shown and described.

DESCRIPTION

FIG. 1 is a perspective view of a portable negative pressure wound care appliance showing my new design;

FIG. 2 is a front elevational view thereof;

FIG. 3 is a left side elevational view thereof;

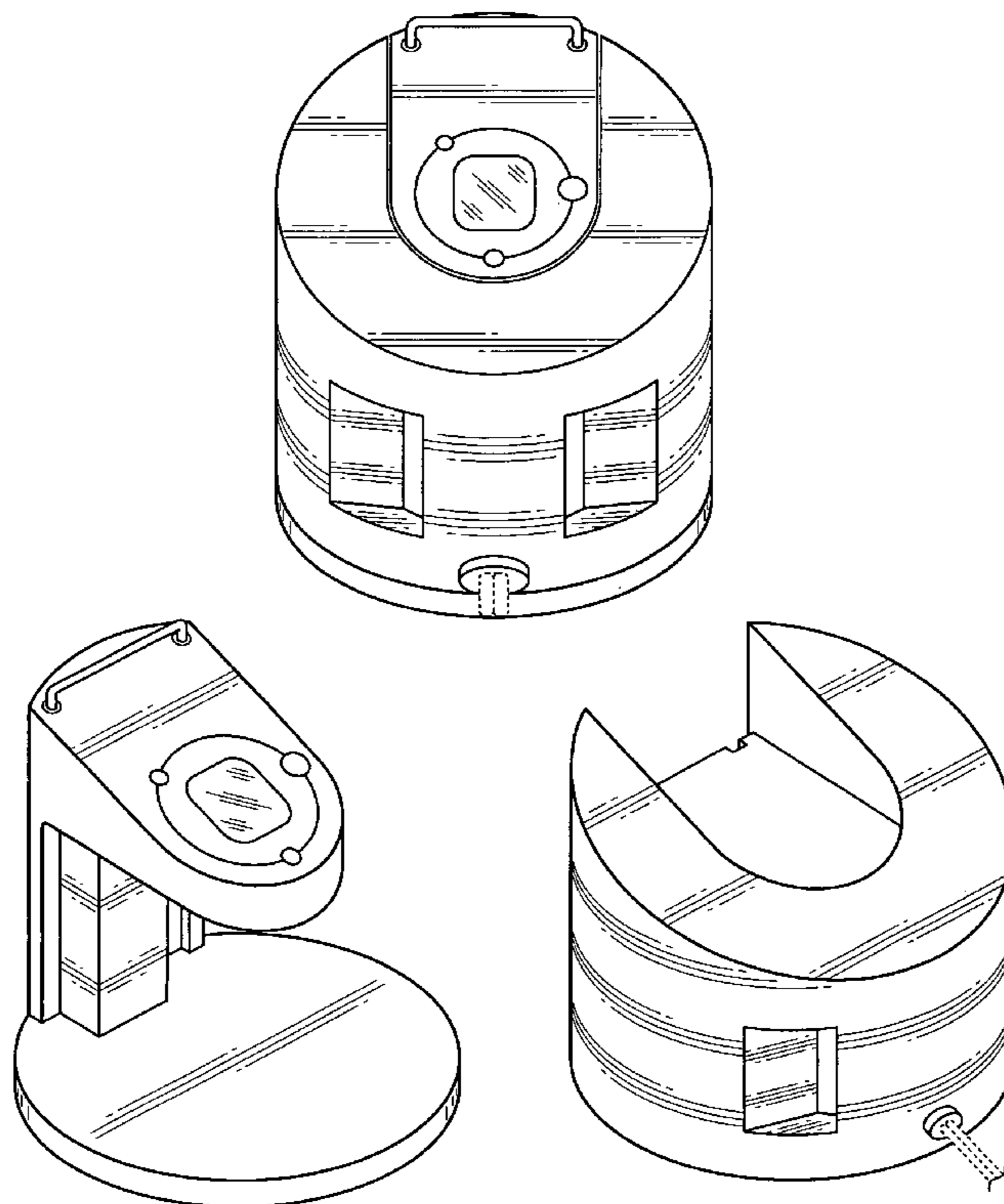
FIG. 4 is a top plan view thereof;

FIG. 5 is a back elevational view thereof;

FIG. 6 is a perspective view thereof; and,

FIG. 7 is a perspective view of the two components of the portable negative pressure wound care appliance as they would be separated after use.

1 Claim, 4 Drawing Sheets



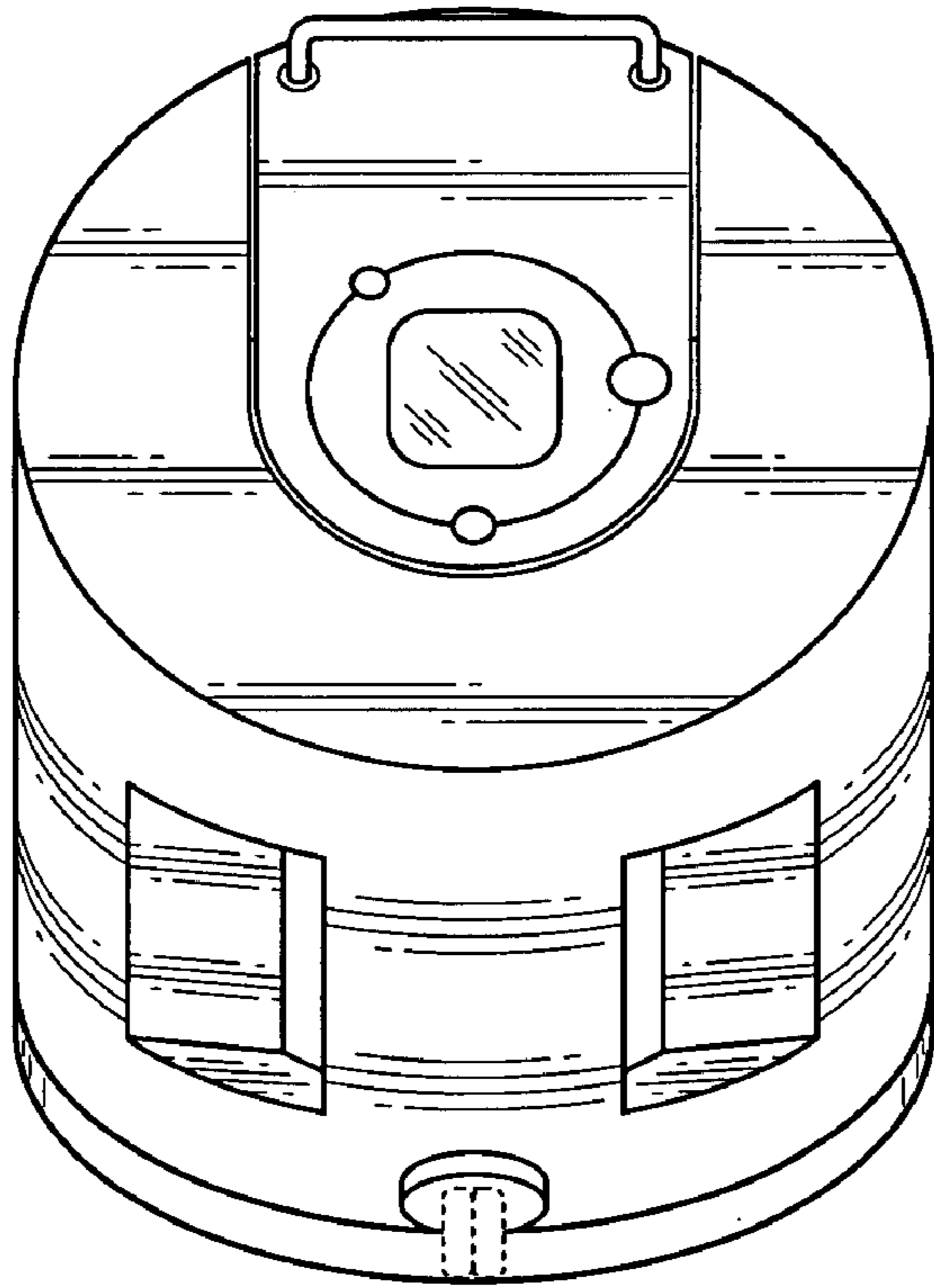


FIG. 1

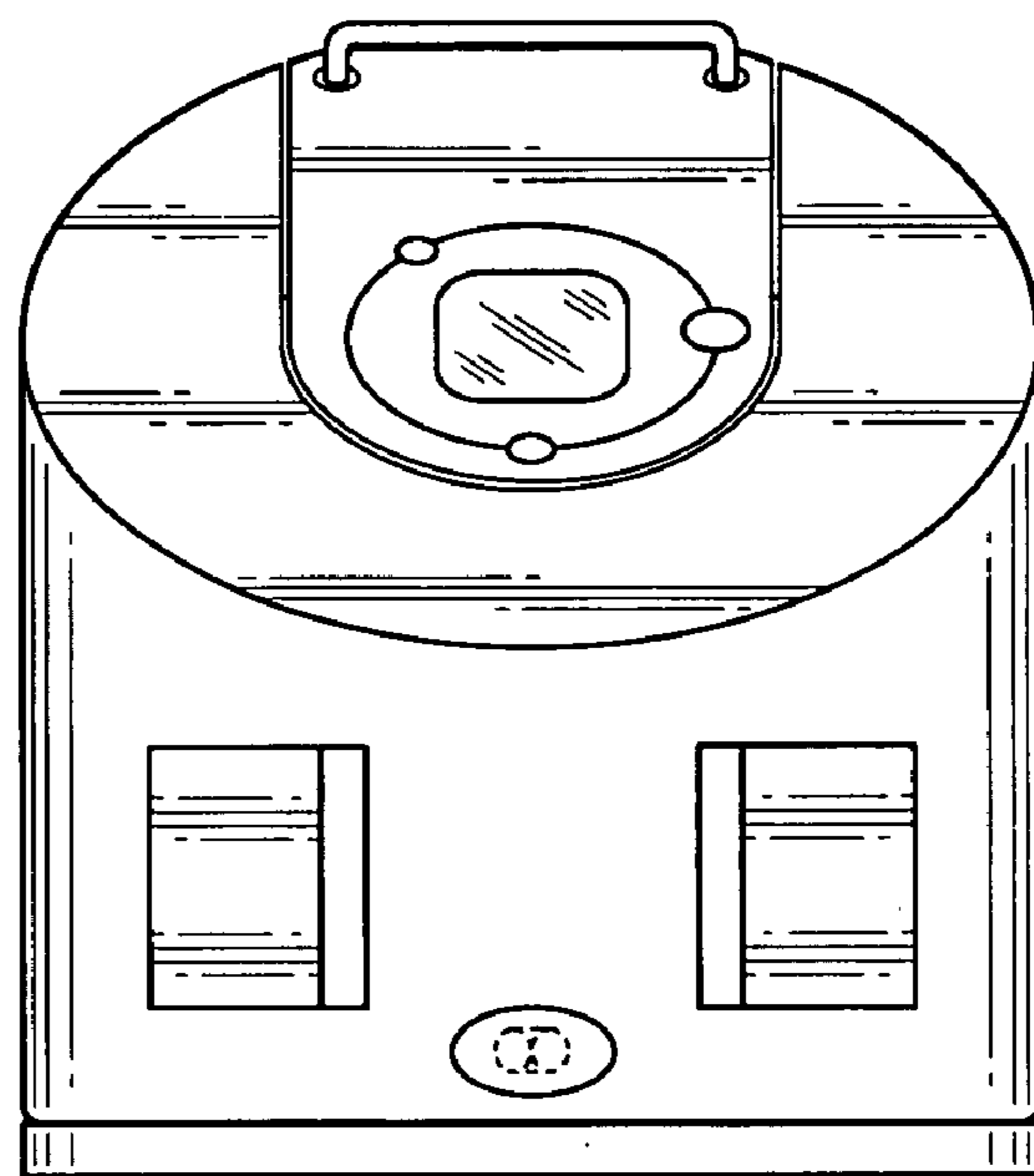


FIG. 2

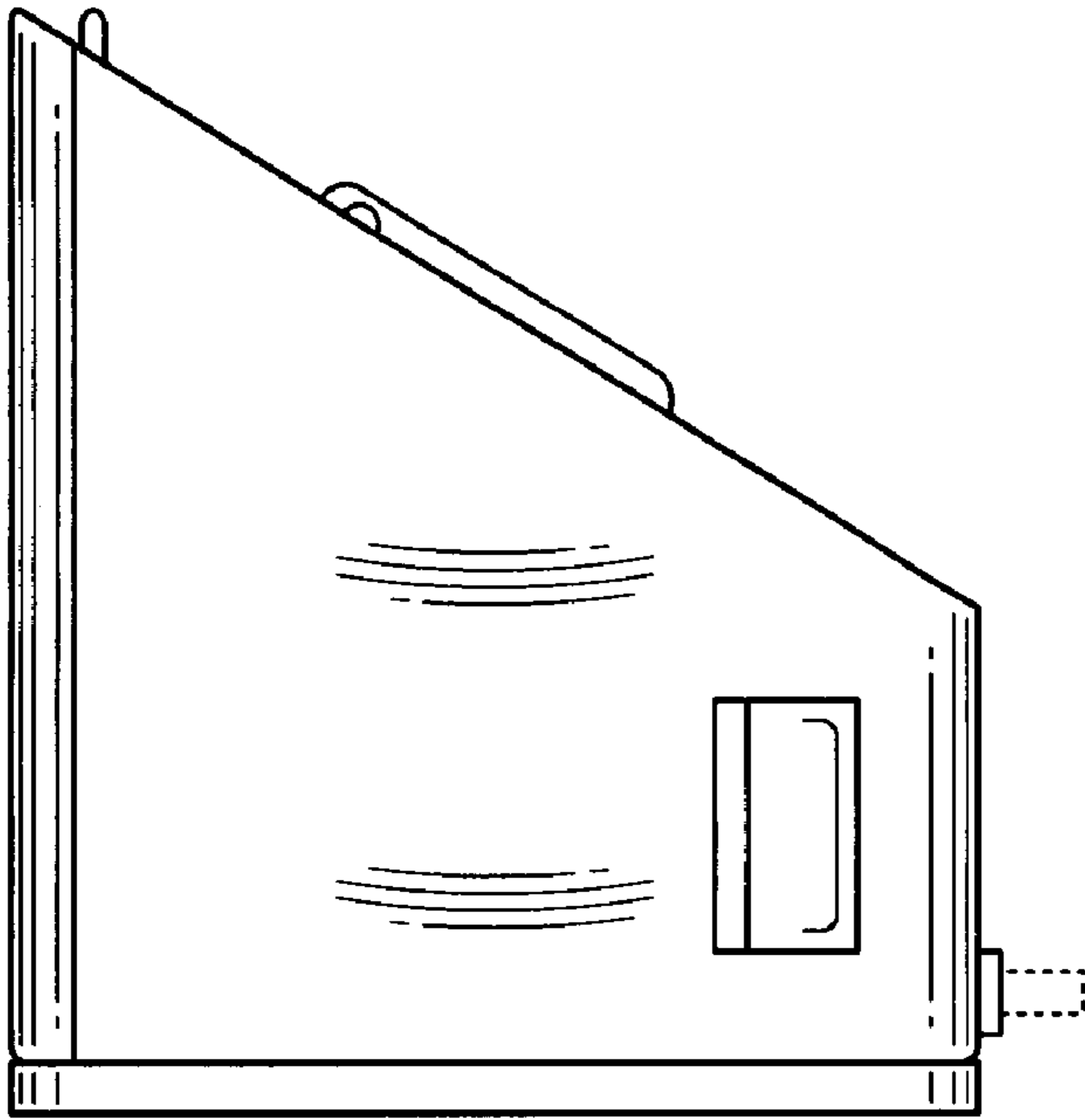


FIG. 3

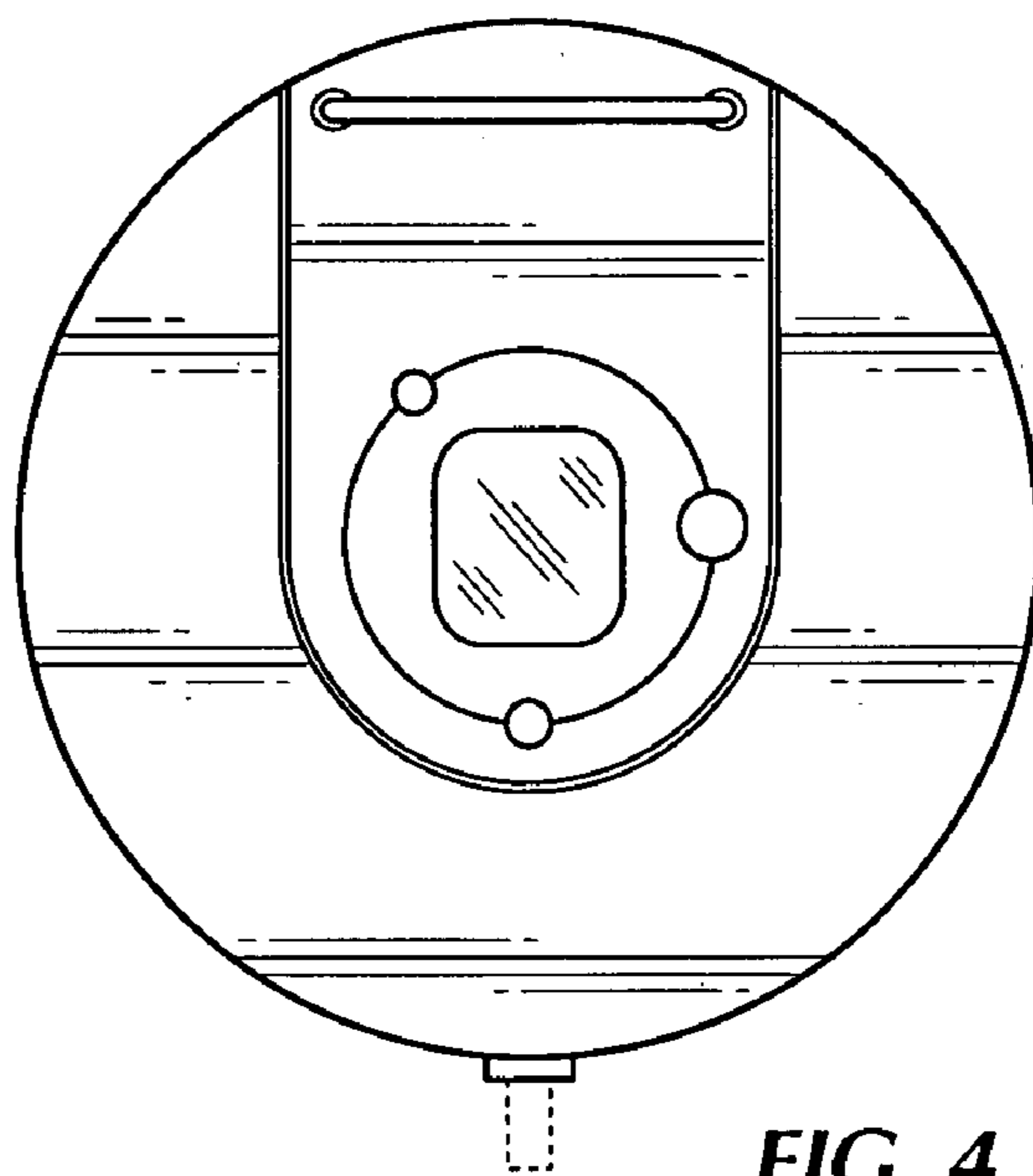


FIG. 4

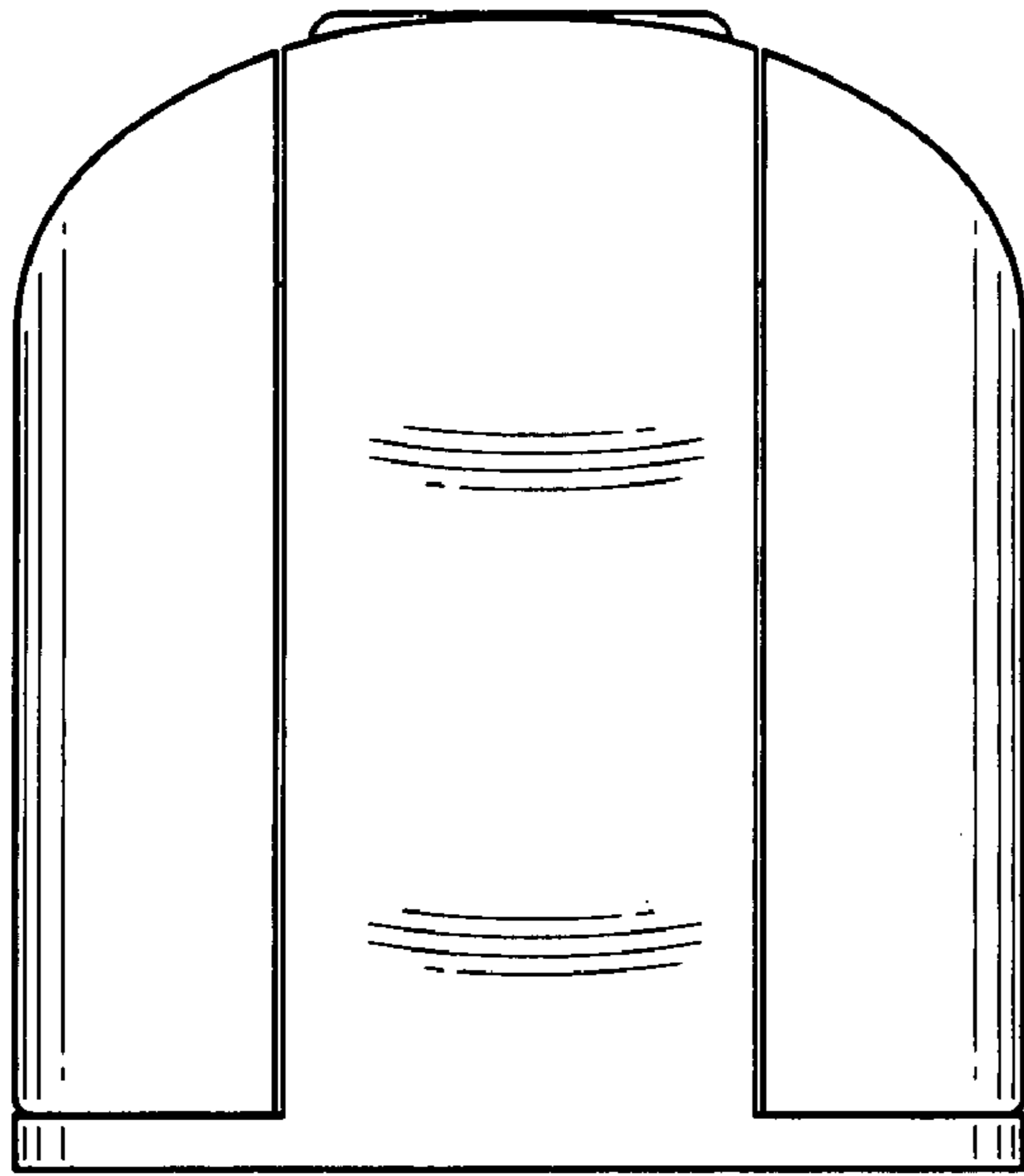


FIG. 5

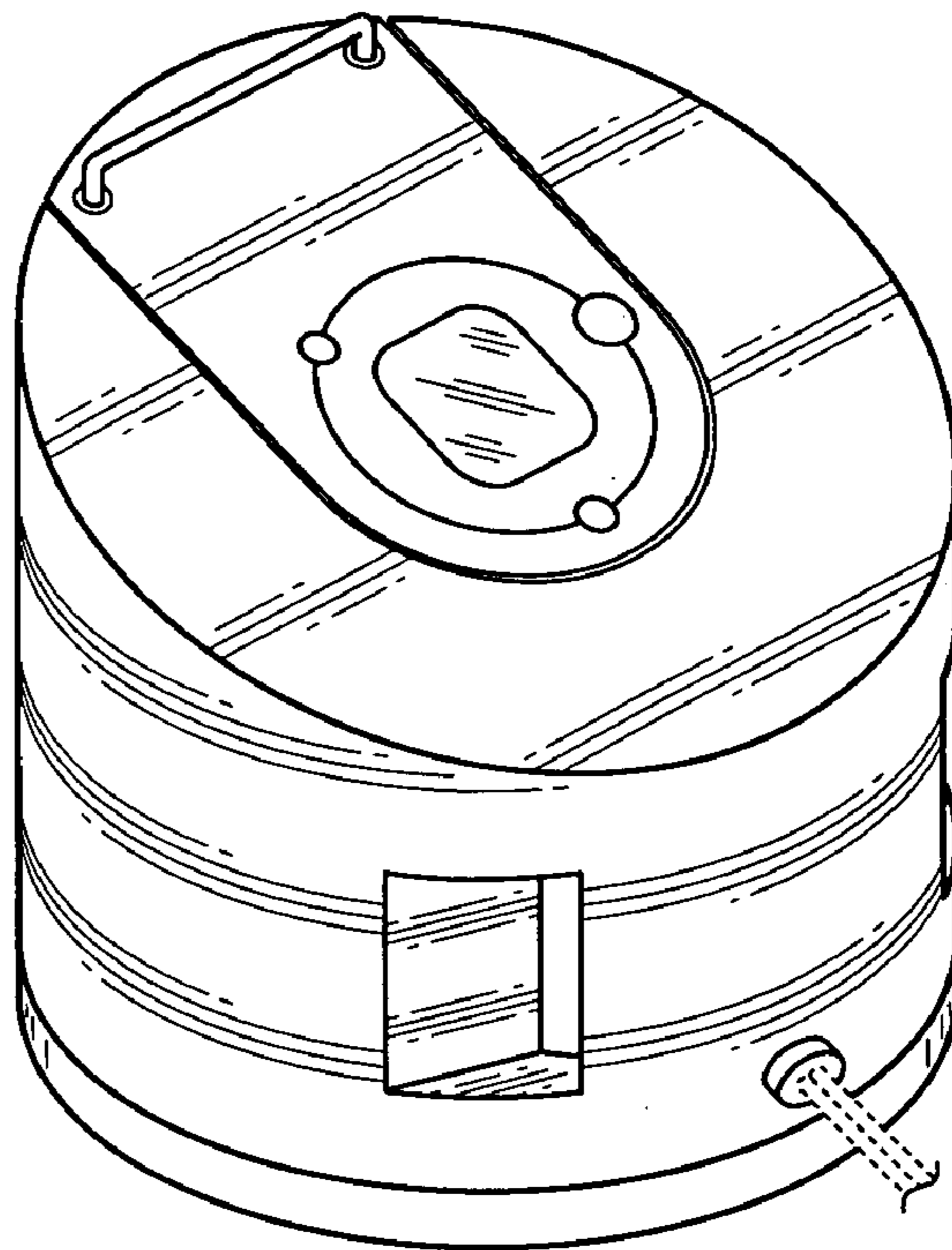


FIG. 6

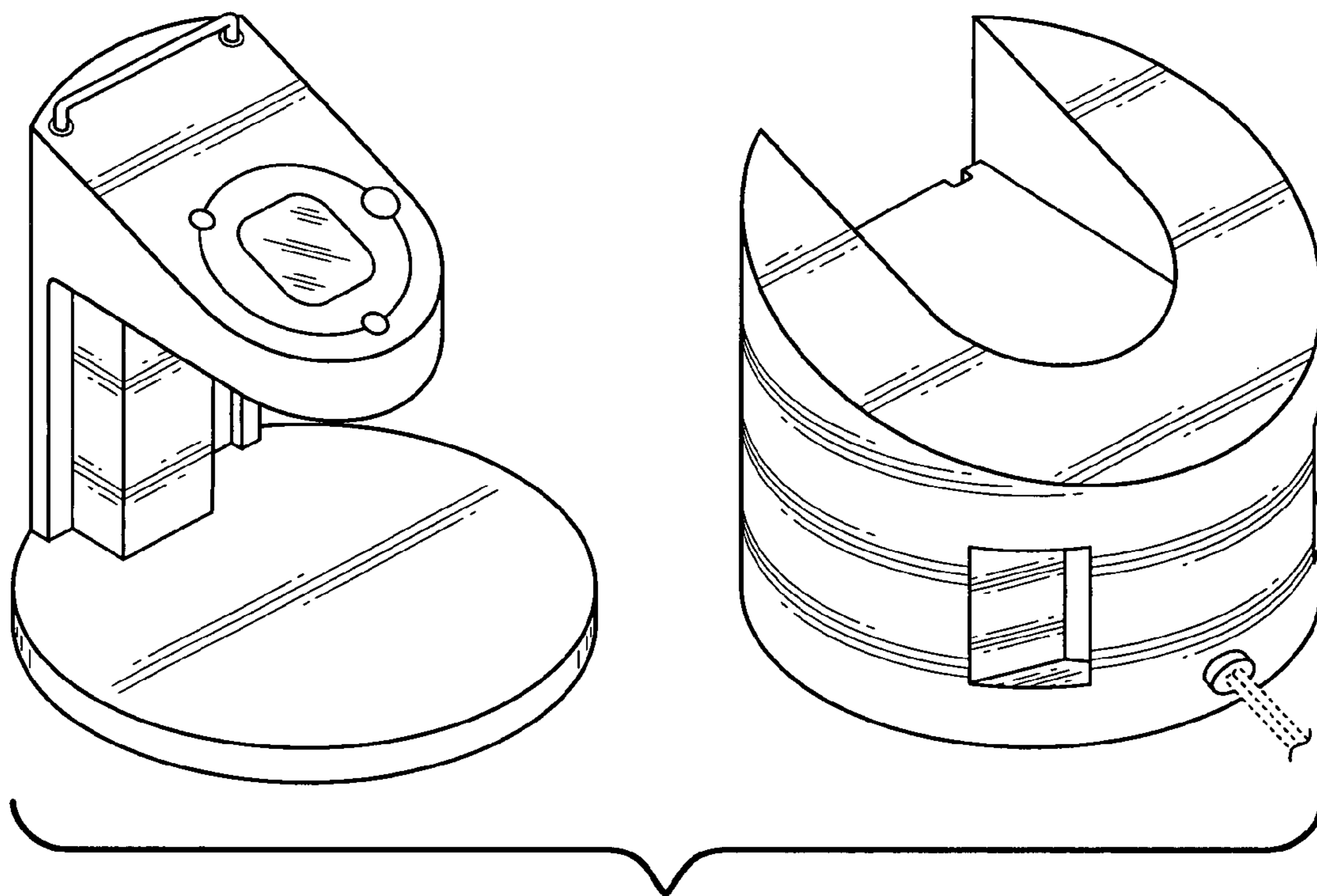


FIG. 7