

US00D547437S

(12) **United States Design Patent** (10) **Patent No.:** **US D547,437 S**
Asai (45) **Date of Patent:** **** Jul. 24, 2007**

(54) **FACIAL SKIN OBSERVATION DEVICE**

2004/0125996 A1* 7/2004 Eddowes et al. 382/128
2006/0052719 A1* 3/2006 Ruvolo et al. 600/552

(75) Inventor: **Yoshiyuki Asai**, Saitama (JP)

OTHER PUBLICATIONS

(73) Assignee: **Moritex Corporation**, Tokyo (JP)

U.S. Appl. No. 29/218,046 to Asai, which was filed on Nov. 29, 2004.

(**) Term: **14 Years**

U.S. Appl. No. 29/218,045 to Asai, which was filed on Nov. 29, 2004.

(21) Appl. No.: **29/218,047**

* cited by examiner

(22) Filed: **Nov. 29, 2004**

(30) **Foreign Application Priority Data**

Primary Examiner—Carol Rademaker

Assistant Examiner—Anna Burmeister

May 27, 2004 (JP) 2004-015577

(74) *Attorney, Agent, or Firm*—Greenblum & Bernstein, P.L.C.

(51) **LOC (8) Cl.** **24-01**

(57) **CLAIM**

(52) **U.S. Cl.** **D24/107**

(58) **Field of Classification Search** D24/107,
D24/133, 158; D28/9; 600/547; 604/289;
D10/56

I claim the ornamental design for a facial skin observation device, as shown and described.

See application file for complete search history.

DESCRIPTION

(56) **References Cited**

FIG. 1 is a front elevational view of a facial skin observation device, showing my new design;

U.S. PATENT DOCUMENTS

FIG. 2 is a rear elevational view thereof;

D225,090 S * 11/1972 Lyous D24/186

FIG. 3 is a right side elevational view thereof, the left side being a mirror;

4,911,544 A * 3/1990 Walsh 359/839

FIG. 4 is a top plan view thereof;

5,938,593 A * 8/1999 Ouellette 600/300

FIG. 5 is a bottom plan view thereof; and,

6,280,438 B1 * 8/2001 Eckhouse et al. 606/9

FIG. 6 is a perspective view thereof, shown at a reduced scale.

6,436,127 B1 * 8/2002 Anderson et al. 607/89

D483,872 S * 12/2003 Cruz et al. D24/169

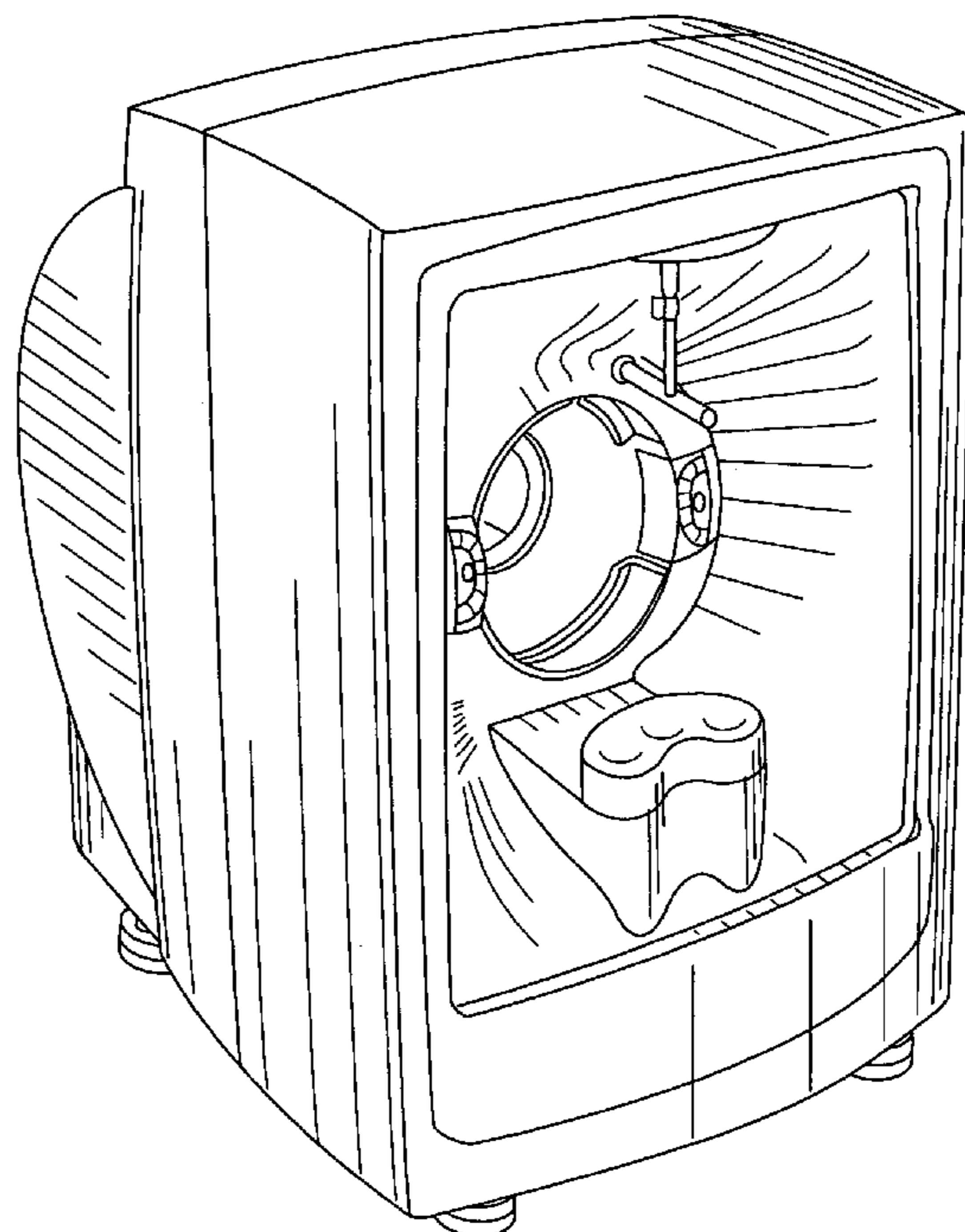
D492,414 S * 6/2004 Perry et al. D24/158

D492,997 S * 7/2004 DiStasio D24/158

6,902,563 B2 * 6/2005 Wilkens et al. 606/9

2004/0122702 A1 * 6/2004 Sabol et al. 705/2

1 Claim, 6 Drawing Sheets



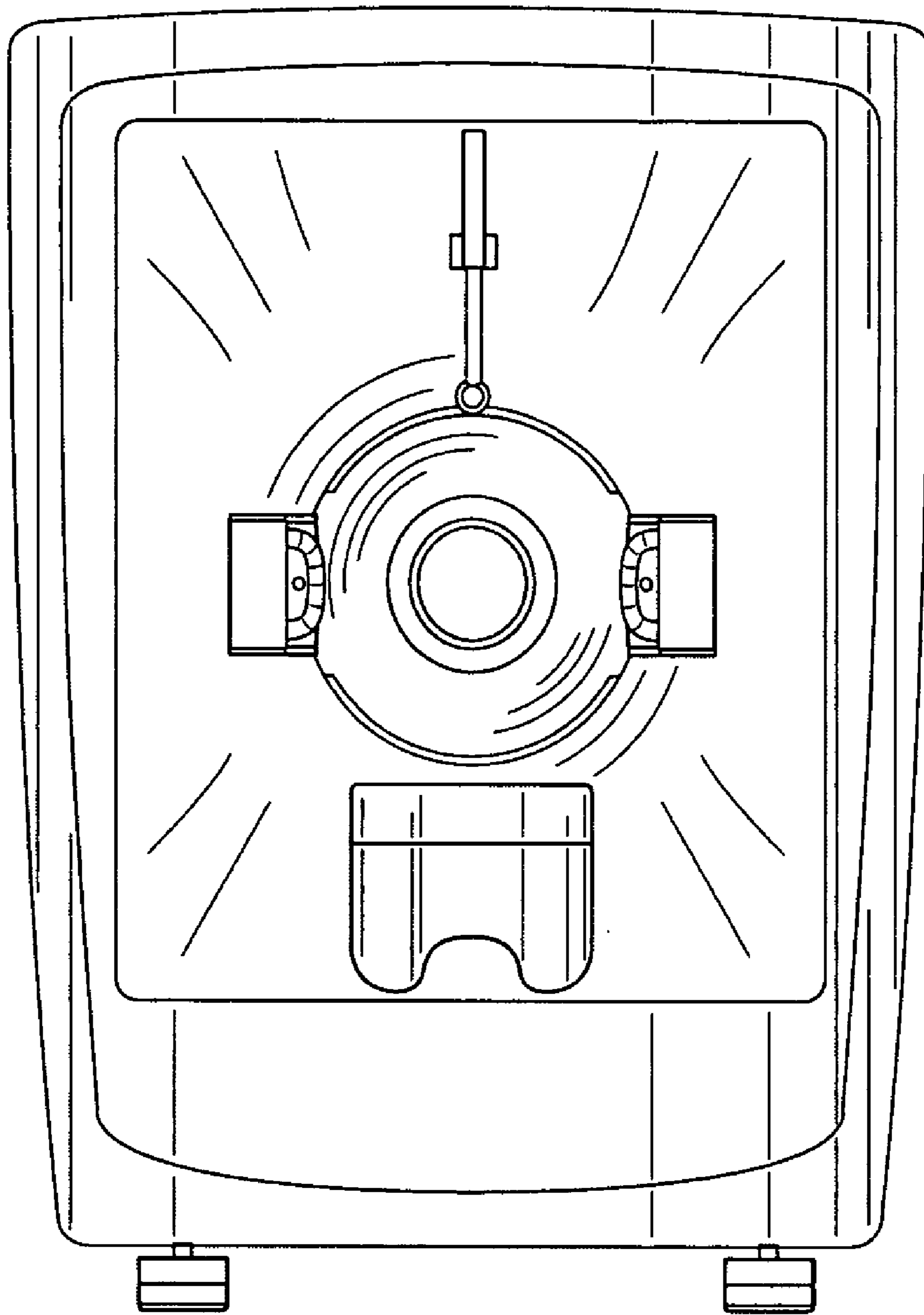


FIG. 1

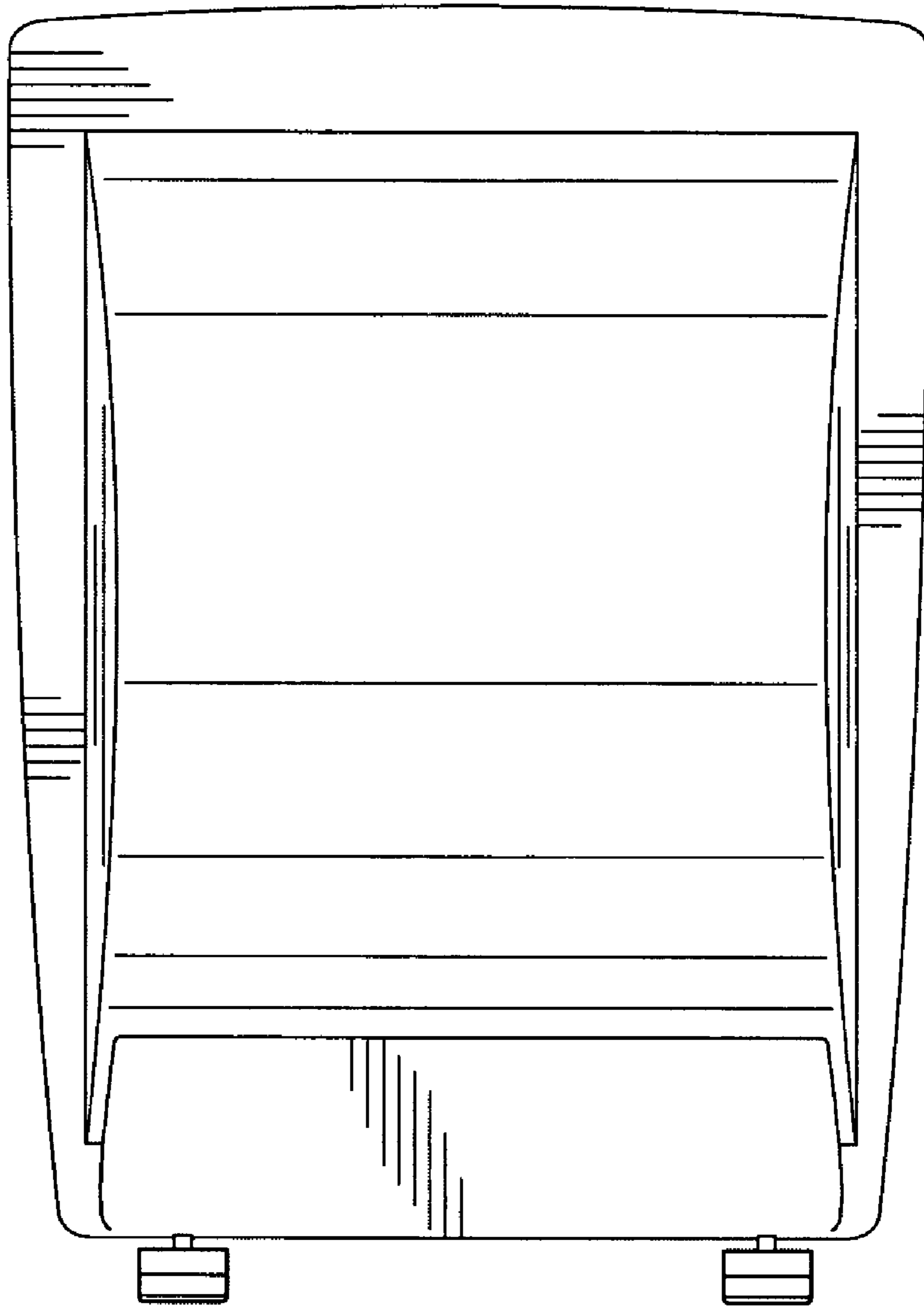


FIG. 2

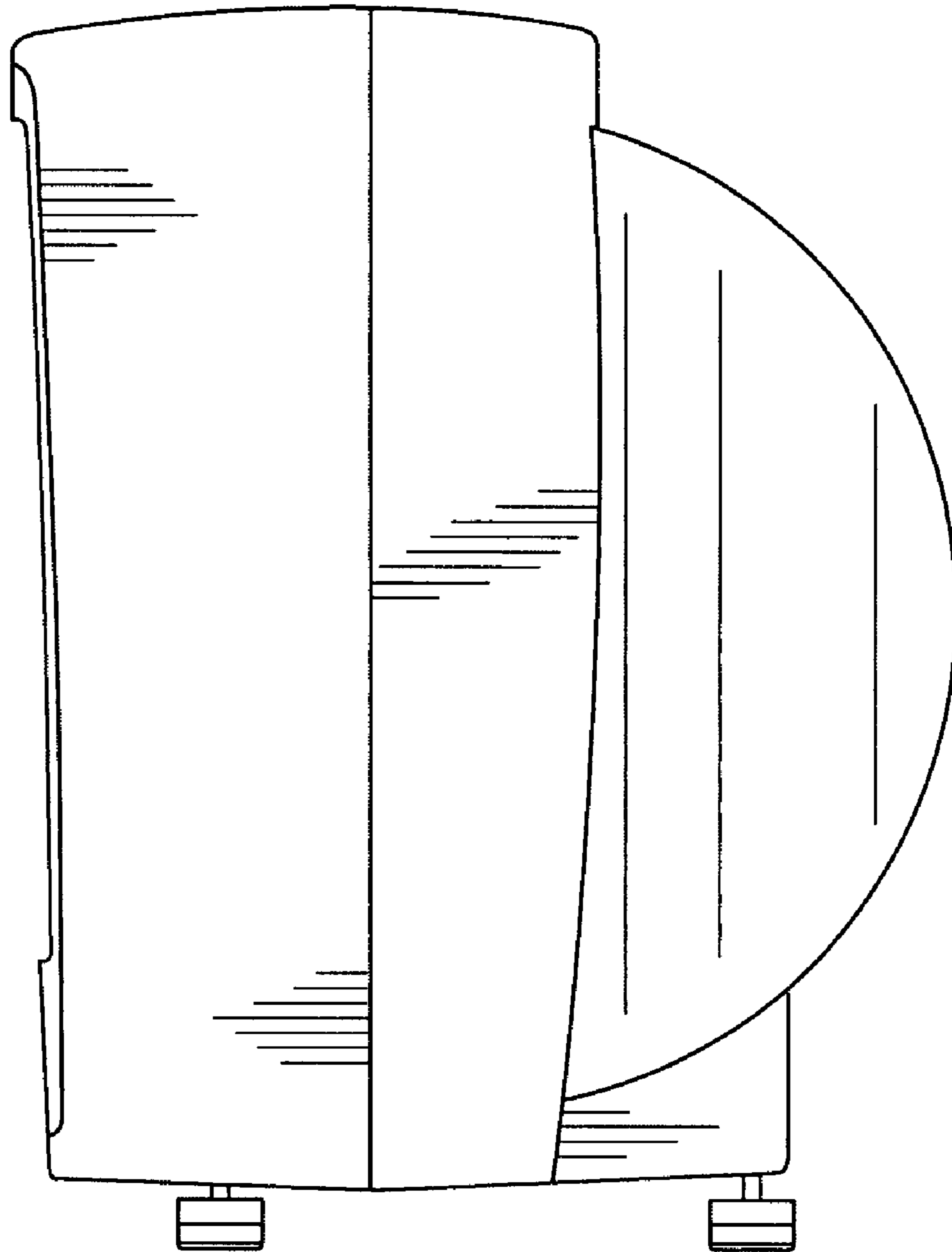


FIG. 3

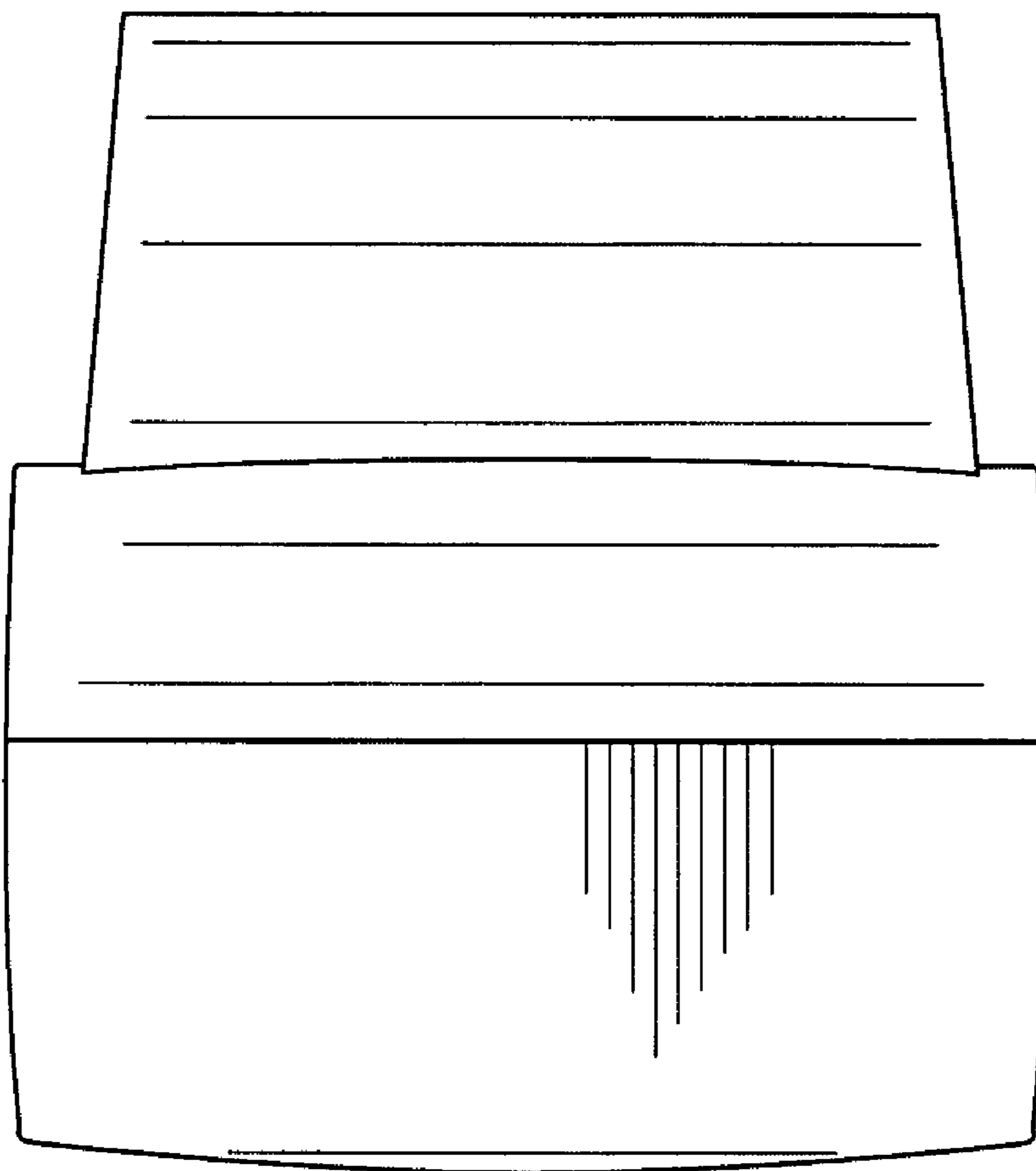


FIG. 4

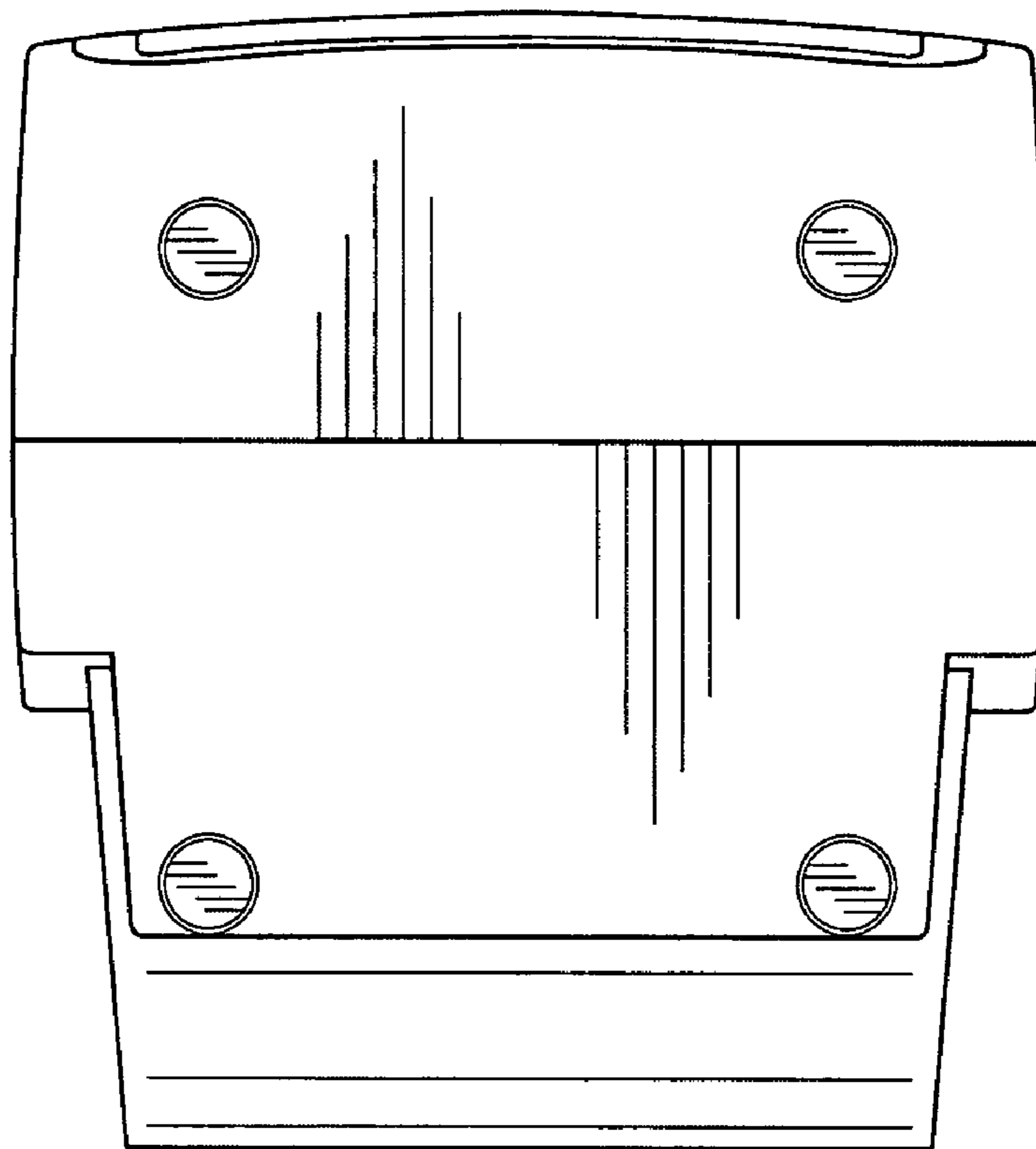


FIG. 5

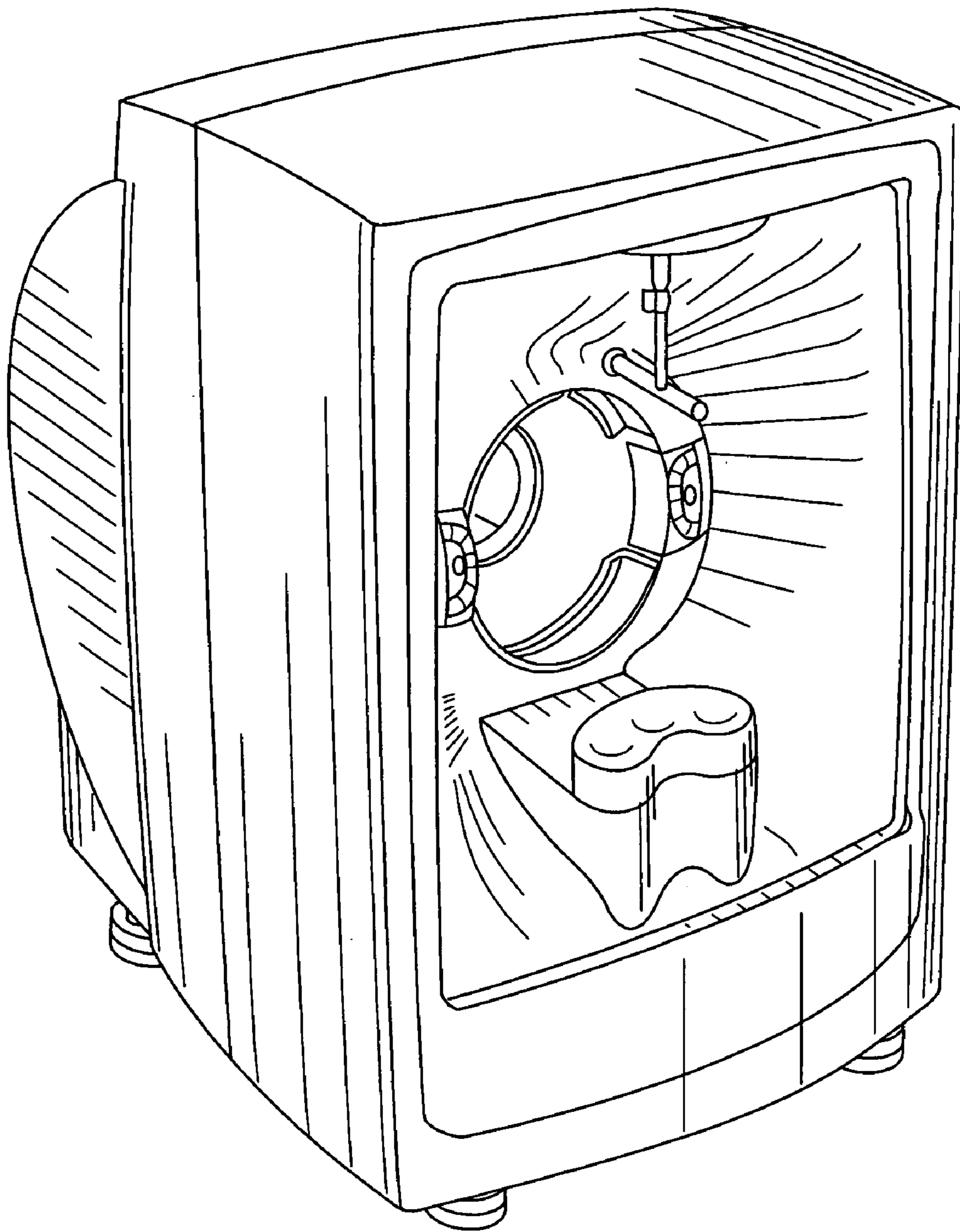


FIG. 6