

US00D547435S

(12) **United States Design Patent**
Lee

(10) **Patent No.:** **US D547,435 S**
(45) **Date of Patent:** **** Jul. 24, 2007**

(54) **COMBINED LOWER PORTION OF A
CEILING FAN MOTOR HOUSING AND
BLADE HOLDERS UNIT**

(75) Inventor: **Emily M. Lee**, Monterey Park, CA
(US)

(73) Assignee: **Landmark Enterprise Inc.**, Bandar
Seri Begawan (BN)

(**) Term: **14 Years**

6,135,618 A 10/2000 Tai
6,259,025 B1 7/2001 Tai
6,379,116 B1 4/2002 Tai
D457,947 S 5/2002 Tai
6,392,146 B1 5/2002 Tai
D458,675 S 6/2002 Tai
D478,381 S 8/2003 Tai
D483,463 S 12/2003 Tai
D483,464 S 12/2003 Tai
D483,465 S 12/2003 Tai
D483,847 S 12/2003 Tai
D483,848 S 12/2003 Tai

(21) Appl. No.: **29/262,991**

(Continued)

(22) Filed: **Jul. 13, 2006**

Primary Examiner—Lisa Lichtenstein

(74) Attorney, Agent, or Firm—Morrison & Foerster LLP

(51) **LOC (8) Cl.** **23-04**

(52) **U.S. Cl.** **D23/411**

(58) **Field of Classification Search** D23/411,
D23/377, 379, 385; 416/5; 392/364
See application file for complete search history.

(57) **CLAIM**

The ornamental design for a combined lower portion of a ceiling fan motor housing and blade holders unit, as shown and described.

(56) **References Cited**

DESCRIPTION

U.S. PATENT DOCUMENTS

5,458,464 A * 10/1995 Lee D23/411
D367,321 S * 2/1996 Holbrook D23/411
5,508,484 A 4/1996 Chen
D388,870 S * 1/1998 Holbrook D23/411
D396,530 S 7/1998 Tai
D404,808 S 1/1999 Tai
D404,809 S 1/1999 Tai
D405,878 S 2/1999 Tai
D408,073 S 4/1999 Tai
D408,074 S 4/1999 Tai
D408,516 S 4/1999 Tai
D409,297 S 5/1999 Tai
5,944,487 A * 8/1999 Pearce 416/244 R
6,059,531 A 5/2000 Tai

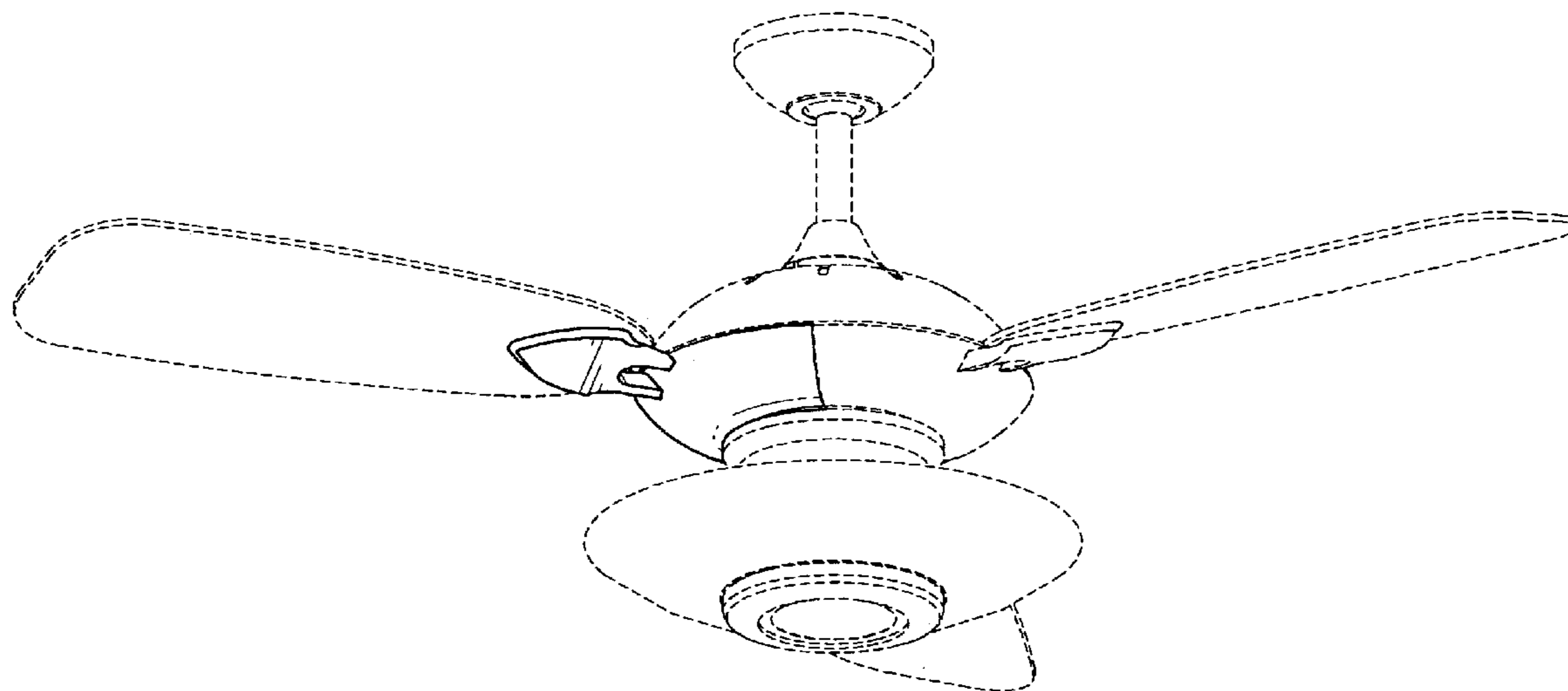
FIG. 1 is a perspective view of a combined lower portion of a ceiling fan motor housing and blade holders unit showing my new design in use.

FIG. 2 is an enlarged perspective view of the blade holder in accordance with the present invention; and,

FIG. 3 is an enlarged perspective view of the blade holder in accordance with the present invention.

The broken line showing of the blades, canopy, support rod and light fixture of a ceiling fan in FIG. 1 is included for the purpose of illustrating environmental structure and forms no part of the claimed design.

1 Claim, 2 Drawing Sheets



US D547,435 S

Page 2

U.S. PATENT DOCUMENTS

D483,849 S	12/2003	Tai	
D483,850 S	12/2003	Tai	
D484,588 S	12/2003	Tai	
D484,969 S	1/2004	Tai	
D485,344 S	1/2004	Tai	
D485,609 S	1/2004	Tai	
D485,611 S	1/2004	Tai	
D485,897 S	1/2004	Tai	
D487,506 S *	3/2004	Burns	D23/411
D490,888 S	6/2004	Tai	
D494,705 S	8/2004	Tai	
D501,578 S	2/2005	Tai	
D503,472 S	3/2005	Tai	
D503,473 S	3/2005	Tai	
D503,474 S	3/2005	Tai	
D503,475 S	3/2005	Tai	
D503,476 S	3/2005	Tai	
D503,795 S	4/2005	Tai	
D504,173 S	4/2005	Tai	
D505,197 S	5/2005	Tai	
D505,724 S	5/2005	Tai	
D507,644 S	7/2005	Tai	
D507,830 S	7/2005	Tai	
D518,887 S *	4/2006	Tai	D23/411
D531,305 S *	10/2006	Glasbrenner	D23/411

* cited by examiner

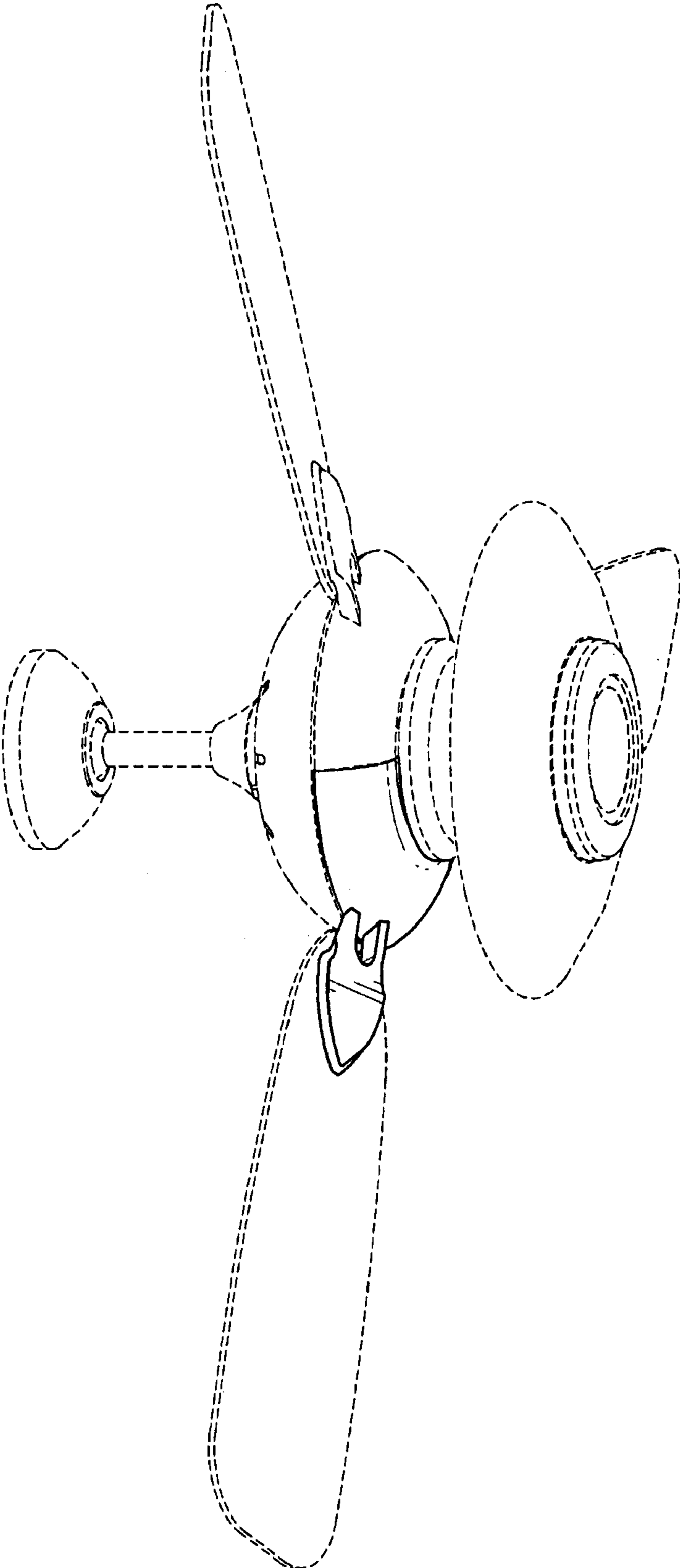


FIG. 1

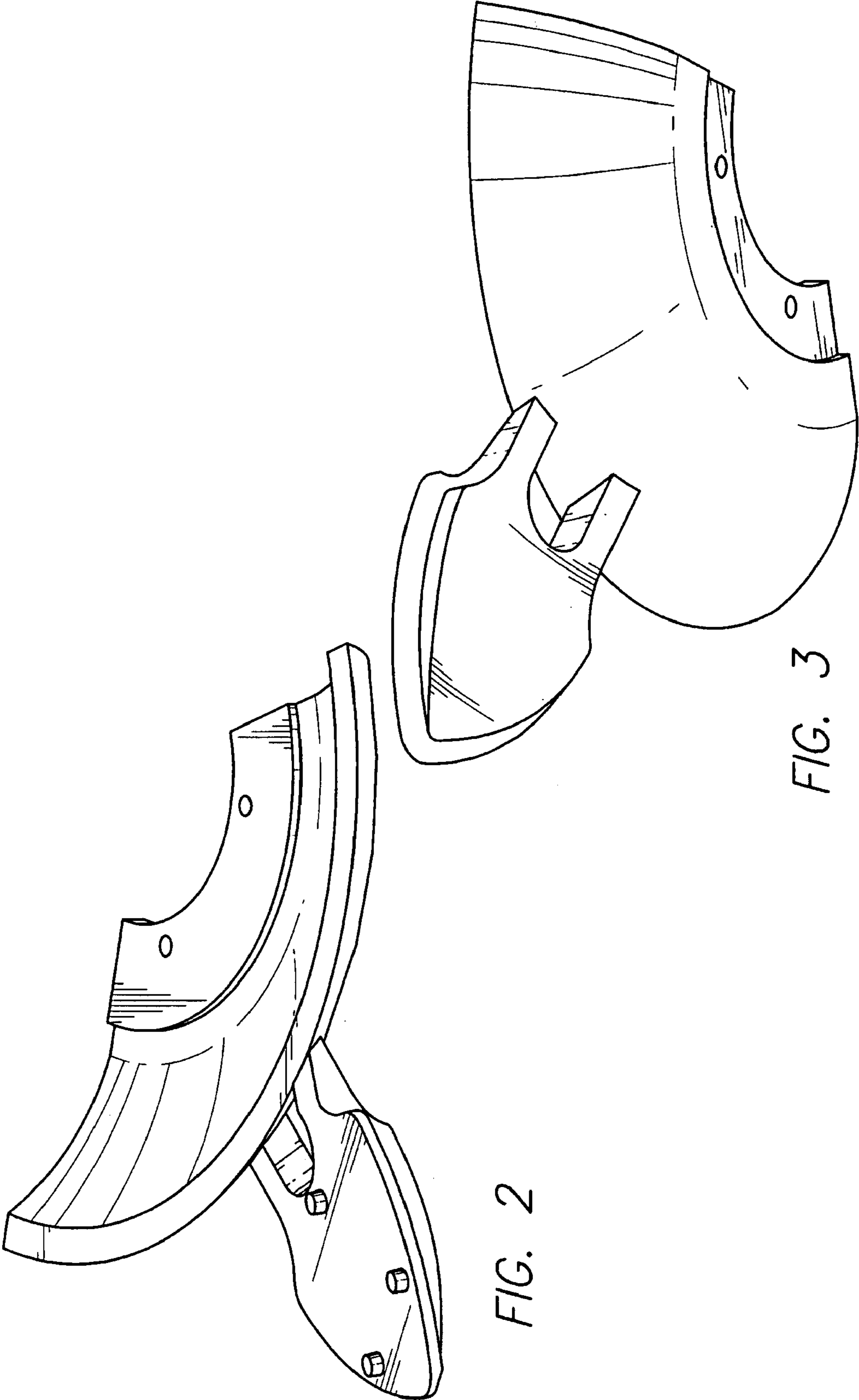


FIG. 2

FIG. 3