



US00D547434S

(12) **United States Design Patent**  
**Yang**

(10) **Patent No.:** **US D547,434 S**

(45) **Date of Patent:** **\*\* Jul. 24, 2007**

(54) **FAN BLADE BRACKET**

(75) Inventor: **Sam Yang**, Chen Jiang Huizhou (CN)

(73) Assignee: **Landmark Enterprise Inc.** (BN)

(\*\*) Term: **14 Years**

(21) Appl. No.: **29/261,552**

(22) Filed: **Jun. 16, 2006**

(51) **LOC (8) Cl.** ..... **23-04**

(52) **U.S. Cl.** ..... **D23/411**

(58) **Field of Classification Search** ..... D23/377,  
D23/379, 385, 411, 413; 416/5

See application file for complete search history.

(56) **References Cited**

U.S. PATENT DOCUMENTS

D371,436 S \* 7/1996 Jaspers-Fayer et al. .... D23/411

D413,165 S \* 8/1999 Tsuji ..... D23/411

\* cited by examiner

*Primary Examiner*—Lisa Lichtenstein

(74) *Attorney, Agent, or Firm*—Troxell Law Office, PLLC

(57) **CLAIM**

I claim the ornamental design for a fan blade bracket, as shown and described.

**DESCRIPTION**

FIG. 1 is a top and front perspective view of a fan blade bracket showing my new design;

FIG. 2 is a front elevational view thereof;

FIG. 3 is a rear elevational view thereof.

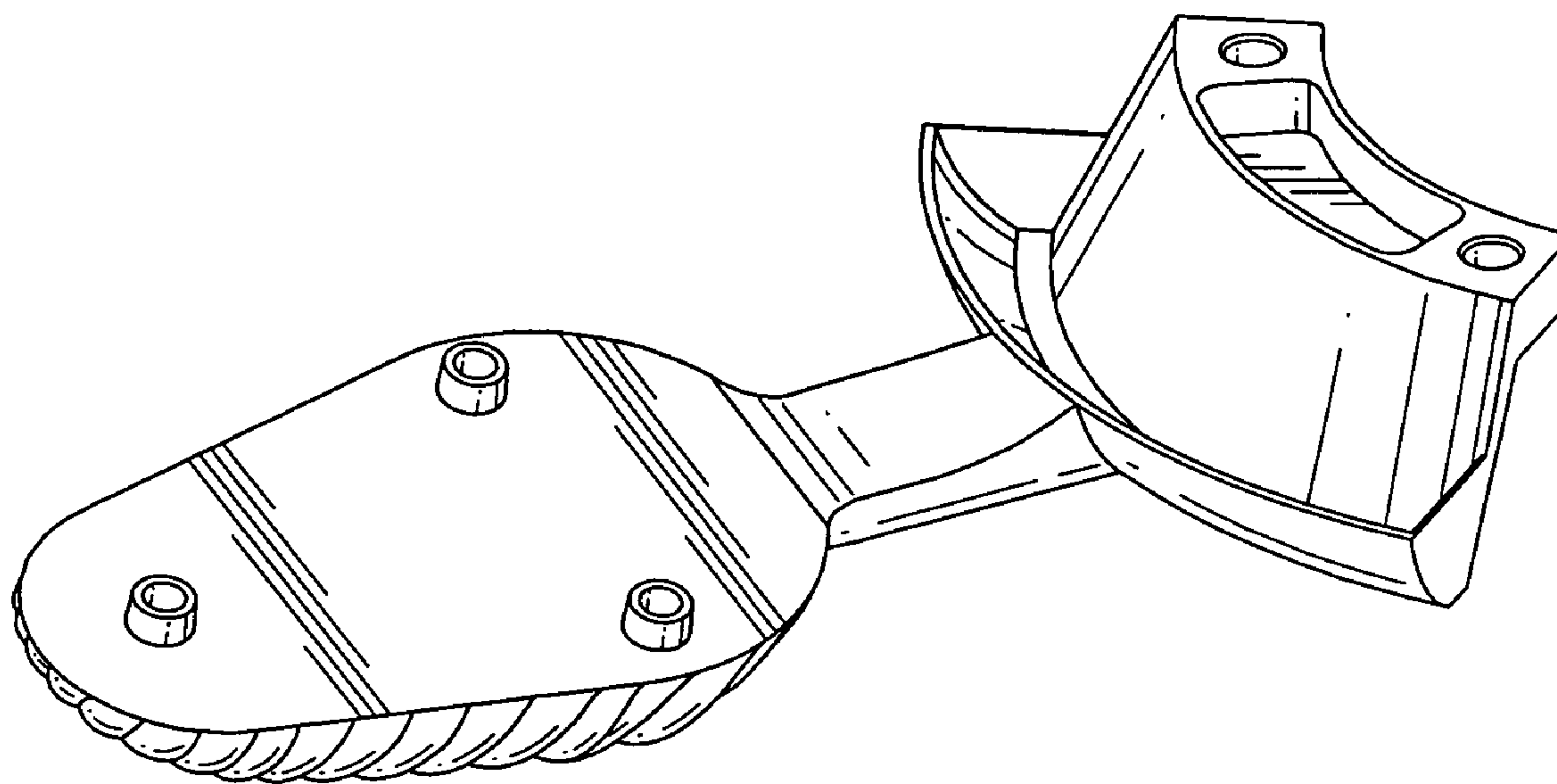
FIG. 4 is a left side elevational view thereof;

FIG. 5 is a right side elevational view thereof;

FIG. 6 is a top plan view thereof; and,

FIG. 7 is a bottom plan view thereof.

**1 Claim, 5 Drawing Sheets**



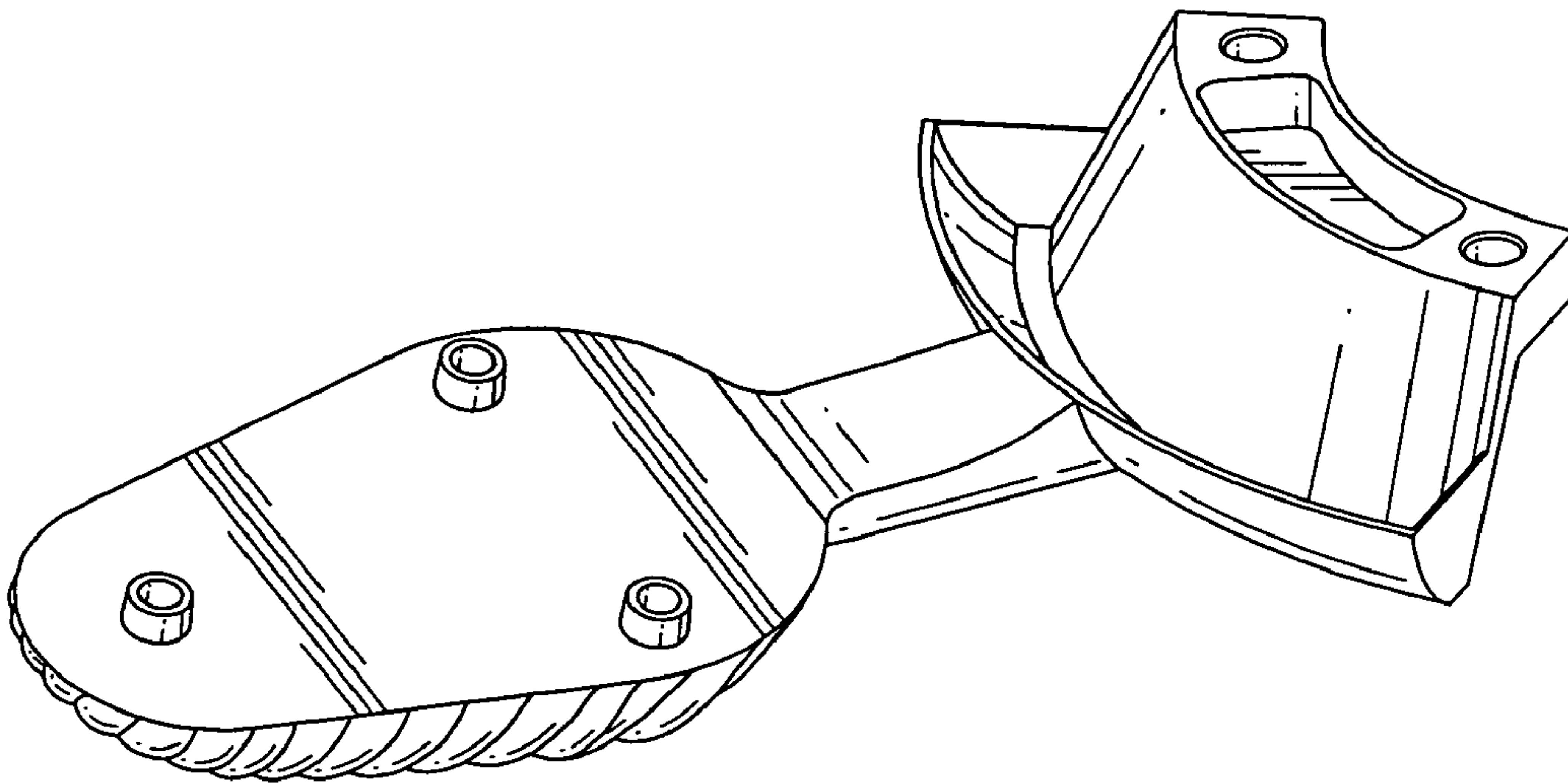


FIG. 1

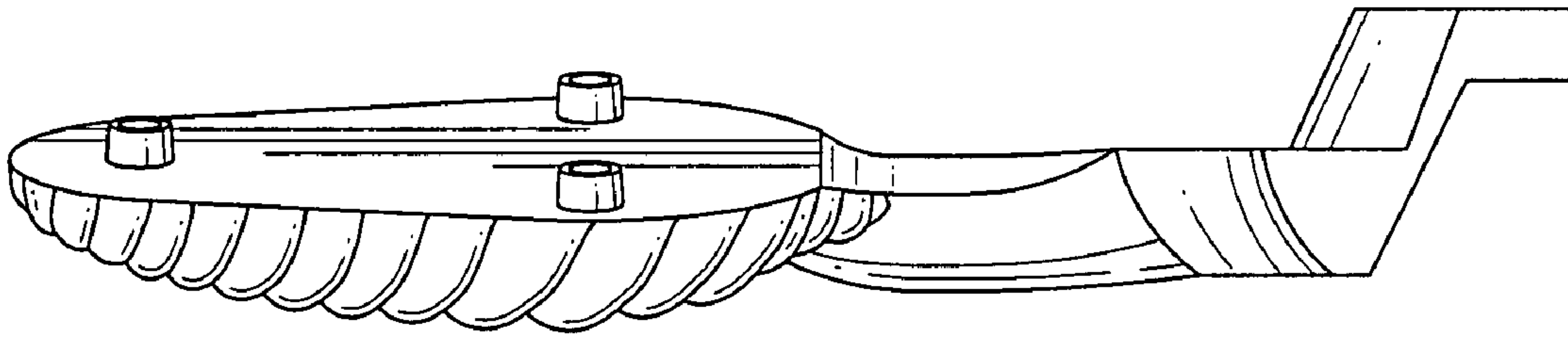


FIG. 2

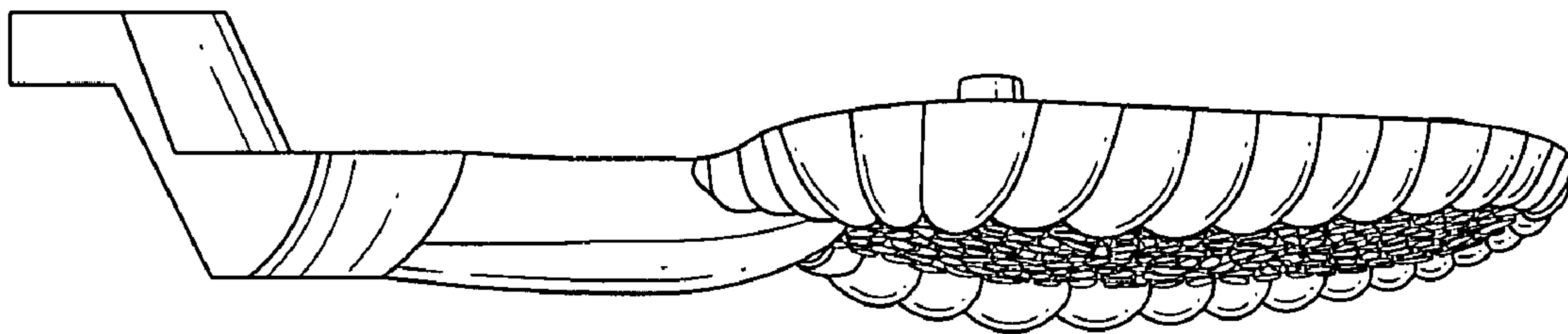


FIG. 3

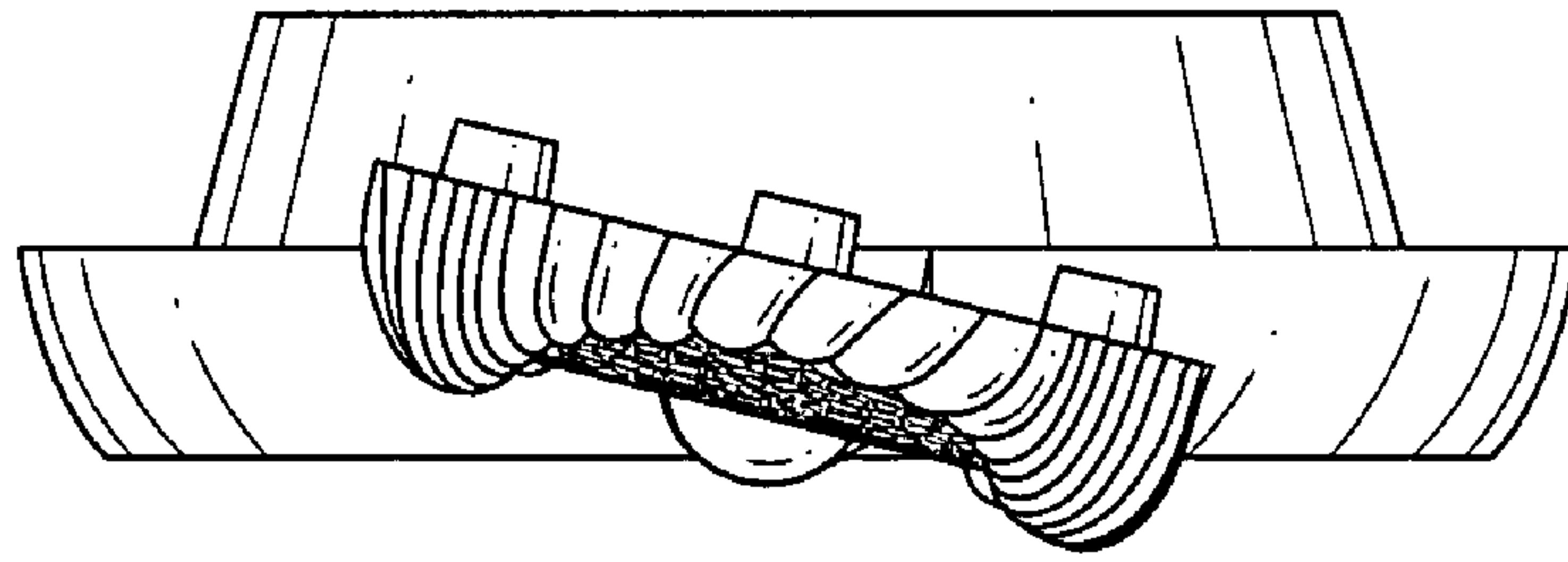


FIG. 4

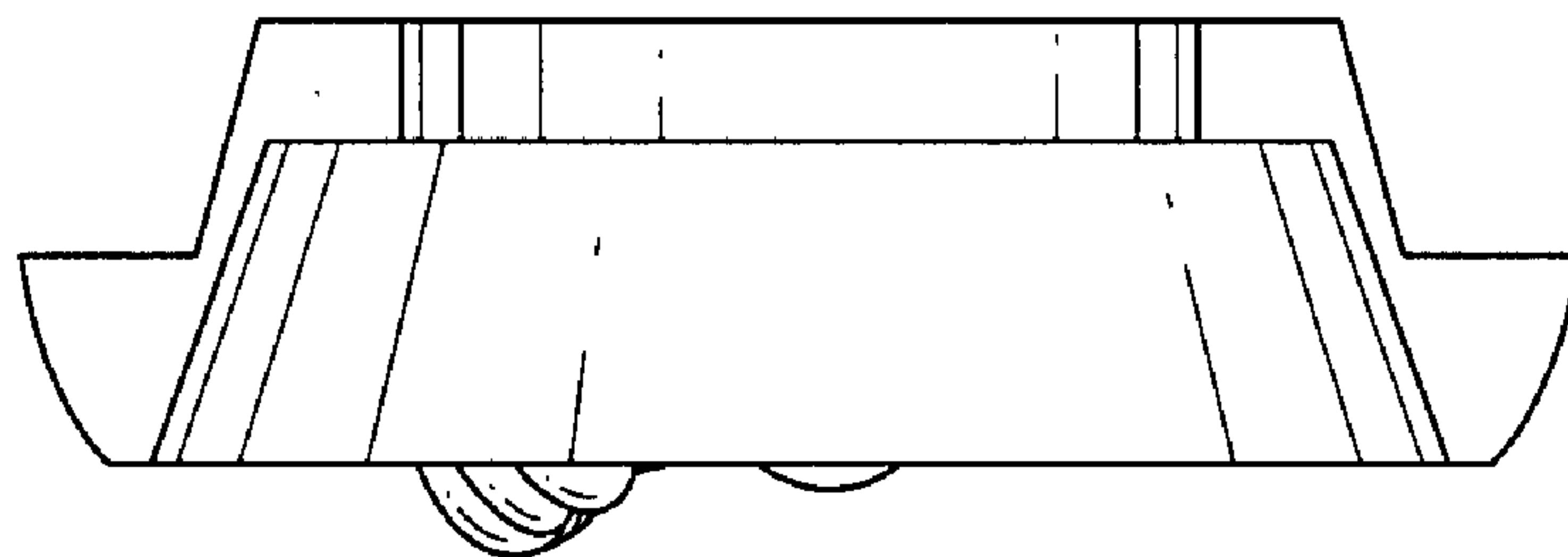


FIG. 5

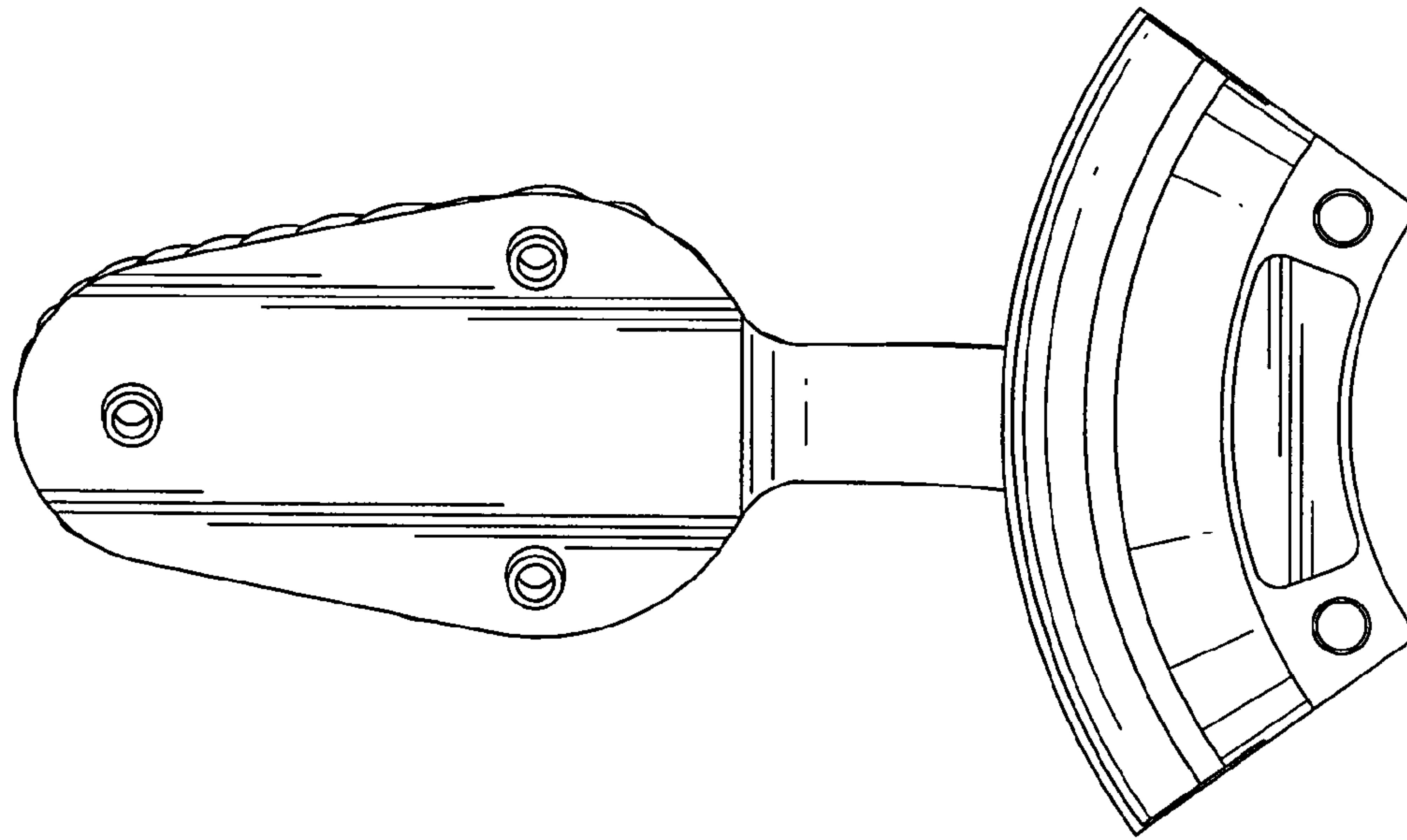


FIG. 6

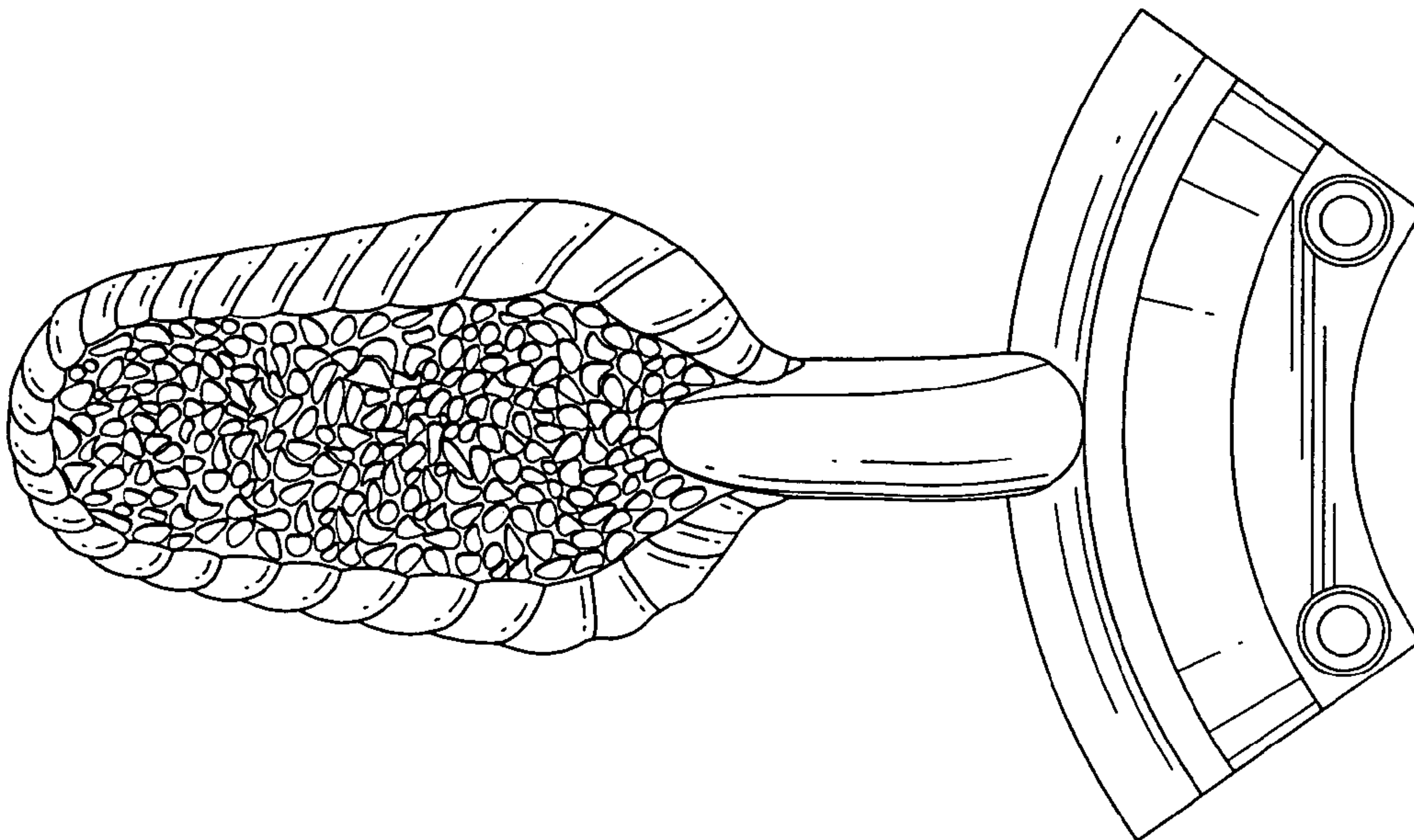


FIG. 7