

US00D547433S

(12) **United States Design Patent**  
**Wang**

(10) **Patent No.:** **US D547,433 S**

(45) **Date of Patent:** **\*\* Jul. 24, 2007**

(54) **COMBINED CEILING FAN MOTOR HOUSING, LIGHT KIT AND FAN BLADE BRACKETS UNIT**

(75) Inventor: **Cliff Wang**, South District Taichung (TW)

(73) Assignee: **Air Cool Industrial Co., Ltd.**, Taichung County (TW)

(\*\*) Term: **14 Years**

(21) Appl. No.: **29/261,544**

(22) Filed: **Jun. 16, 2006**

(51) **LOC (8) Cl.** ..... **23-04**

(52) **U.S. Cl.** ..... **D23/411**

(58) **Field of Classification Search** ..... D23/411, D23/413, 377, 379, 385; 416/5; D26/59, D26/51, 72, 80-86, 73

See application file for complete search history.

(56) **References Cited**

**U.S. PATENT DOCUMENTS**

D424,679 S \* 5/2000 LaSpina ..... D23/377

D478,976 S \* 8/2003 Young ..... D23/377

D506,542 S \* 6/2005 Thomas, Jr. .... D23/411

D525,698 S \* 7/2006 Wang ..... D23/377

\* cited by examiner

*Primary Examiner*—Lisa Lichtenstein

(74) *Attorney, Agent, or Firm*—Troxell Law Office, PLLC

(57) **CLAIM**

I claim the ornamental design for a combined ceiling fan motor housing, light kit and fan blade brackets unit, as shown and described.

**DESCRIPTION**

FIG. 1 is a front perspective view of a combined ceiling fan motor housing, light kit and fan blade brackets unit showing my new design;

FIG. 2 is a front elevational view thereof;

FIG. 3 is a rear elevational view thereof.

FIG. 4 is a left side elevational view thereof;

FIG. 5 is a right side elevational view thereof;

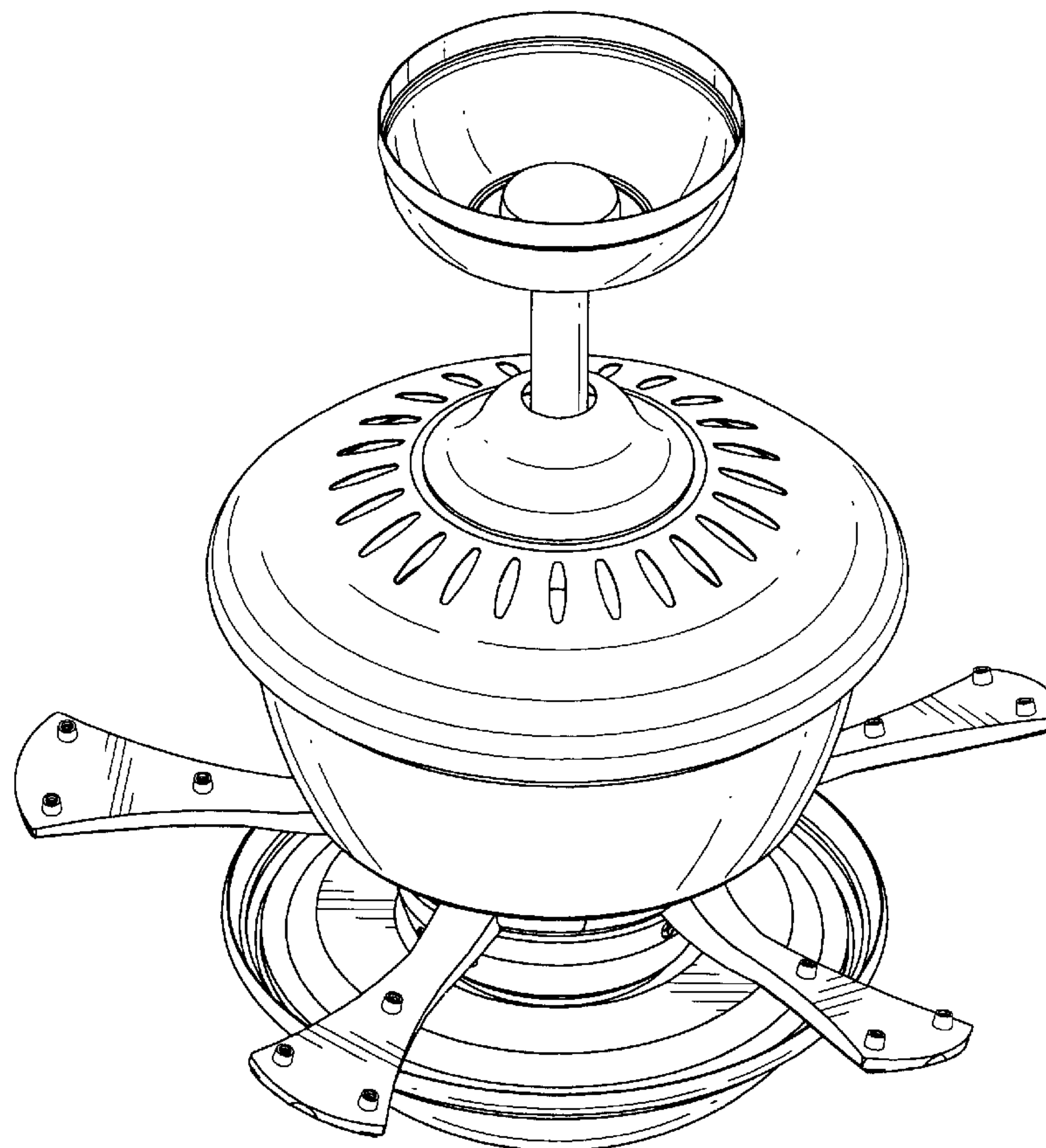
FIG. 6 is a top plan view thereof;

FIG. 7 is a bottom plan view thereof; and,

FIG. 8 is a reduced front end view of the combined ceiling fan motor housing, light kit and fan blade brackets unit in accordance with my design, shown in its environment.

The broken line showing of fan blades is included for the purpose of illustrating environmental structure and forms no part of the claimed design.

**1 Claim, 8 Drawing Sheets**



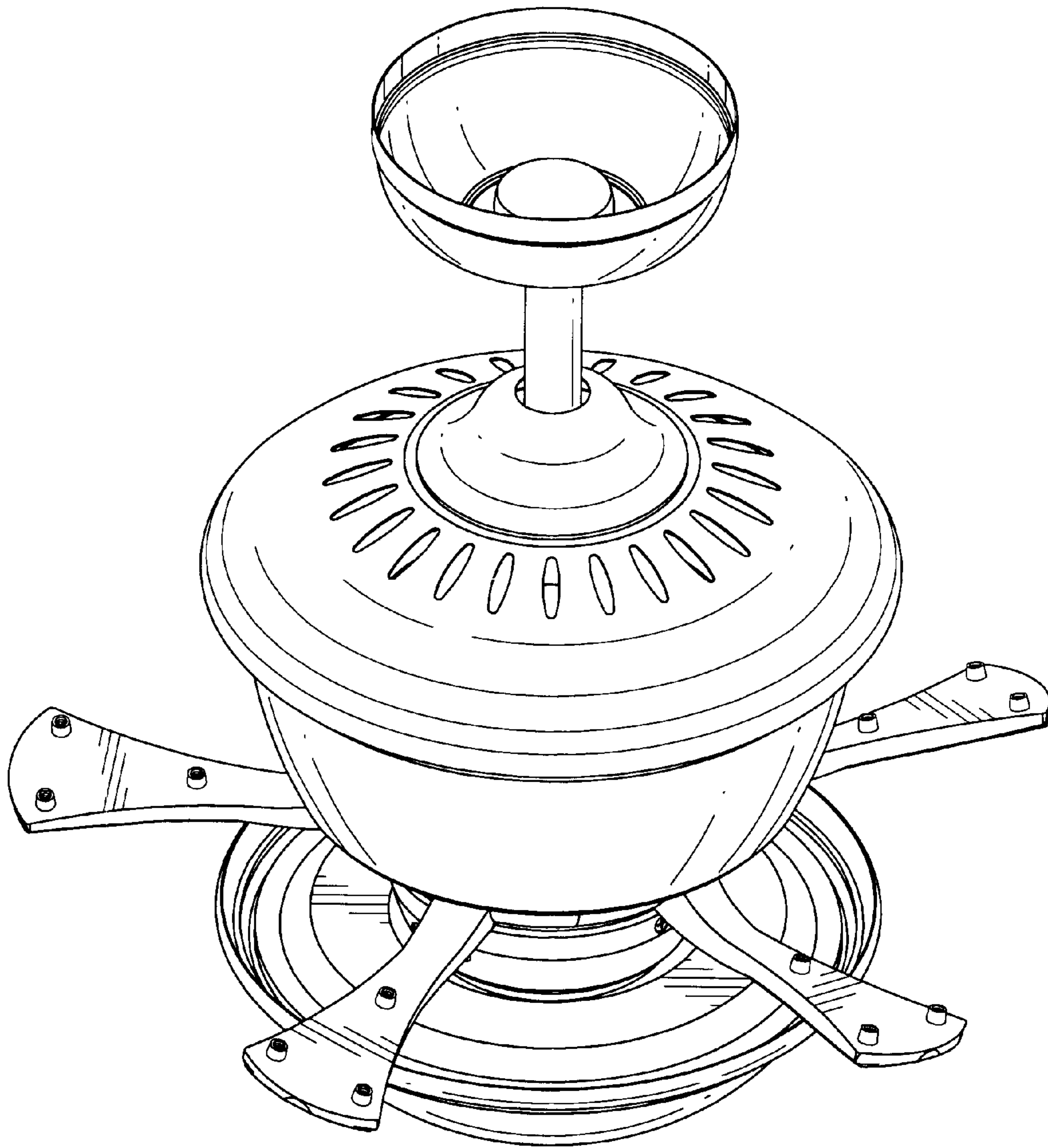


FIG. 1

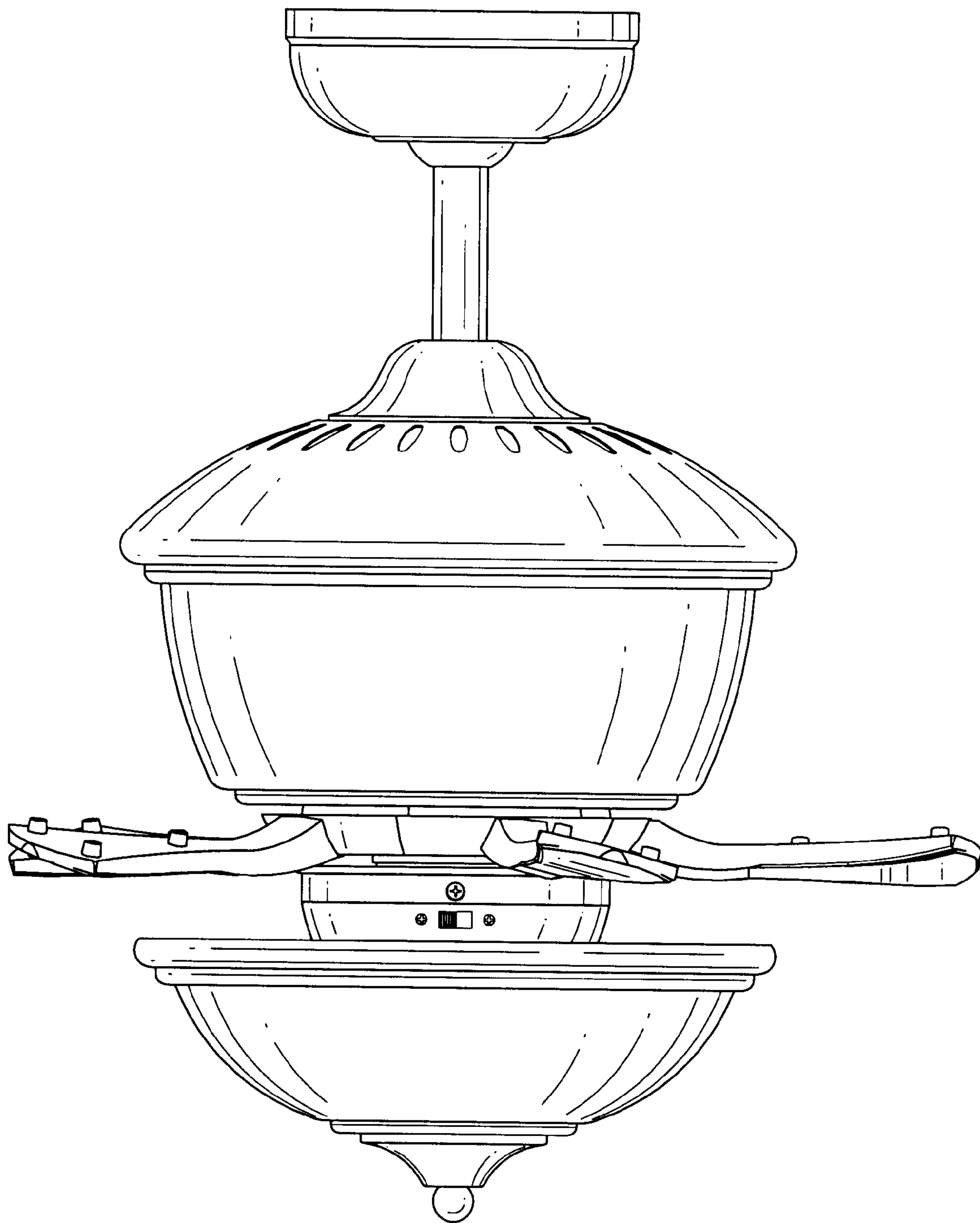


FIG. 2

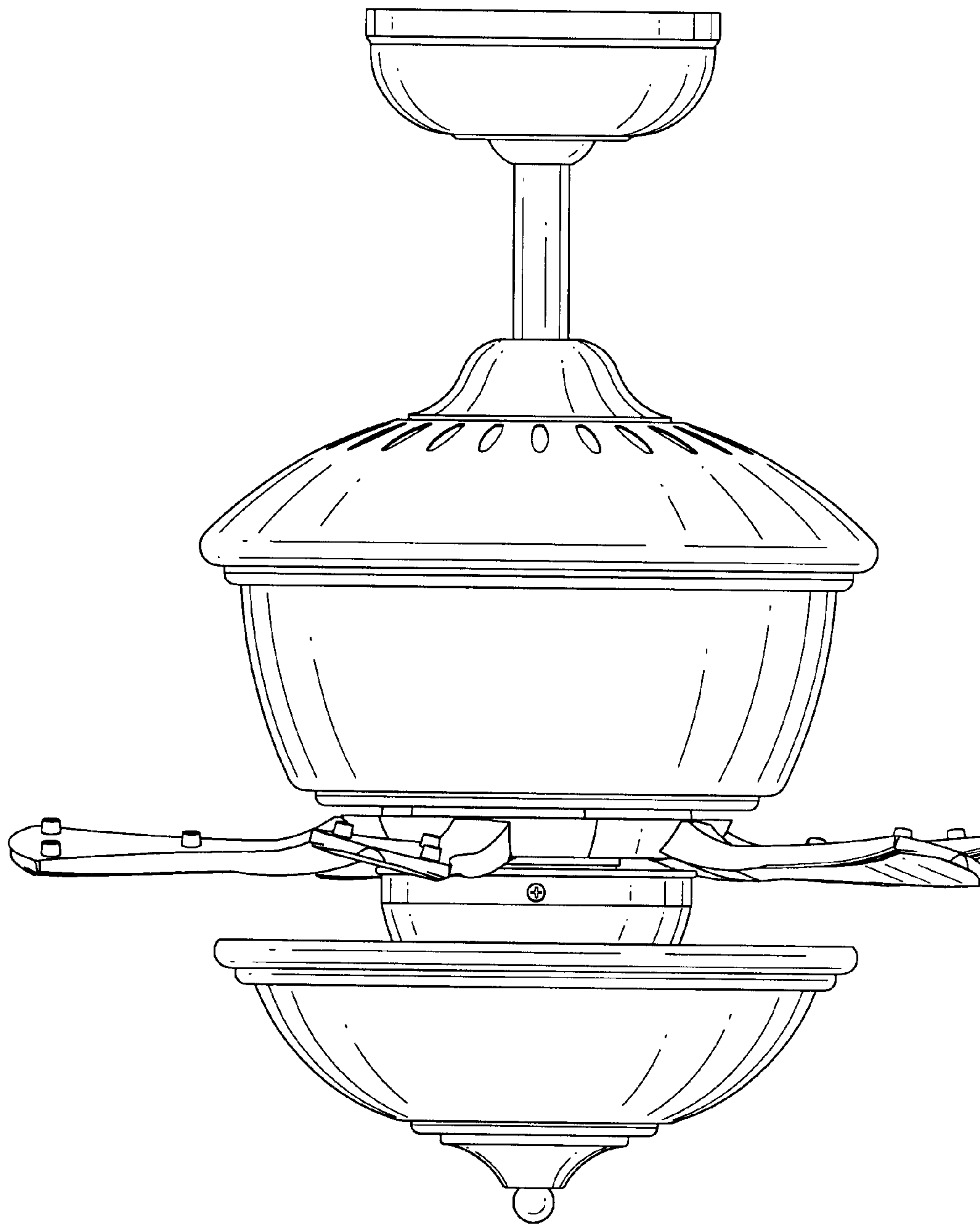


FIG. 3

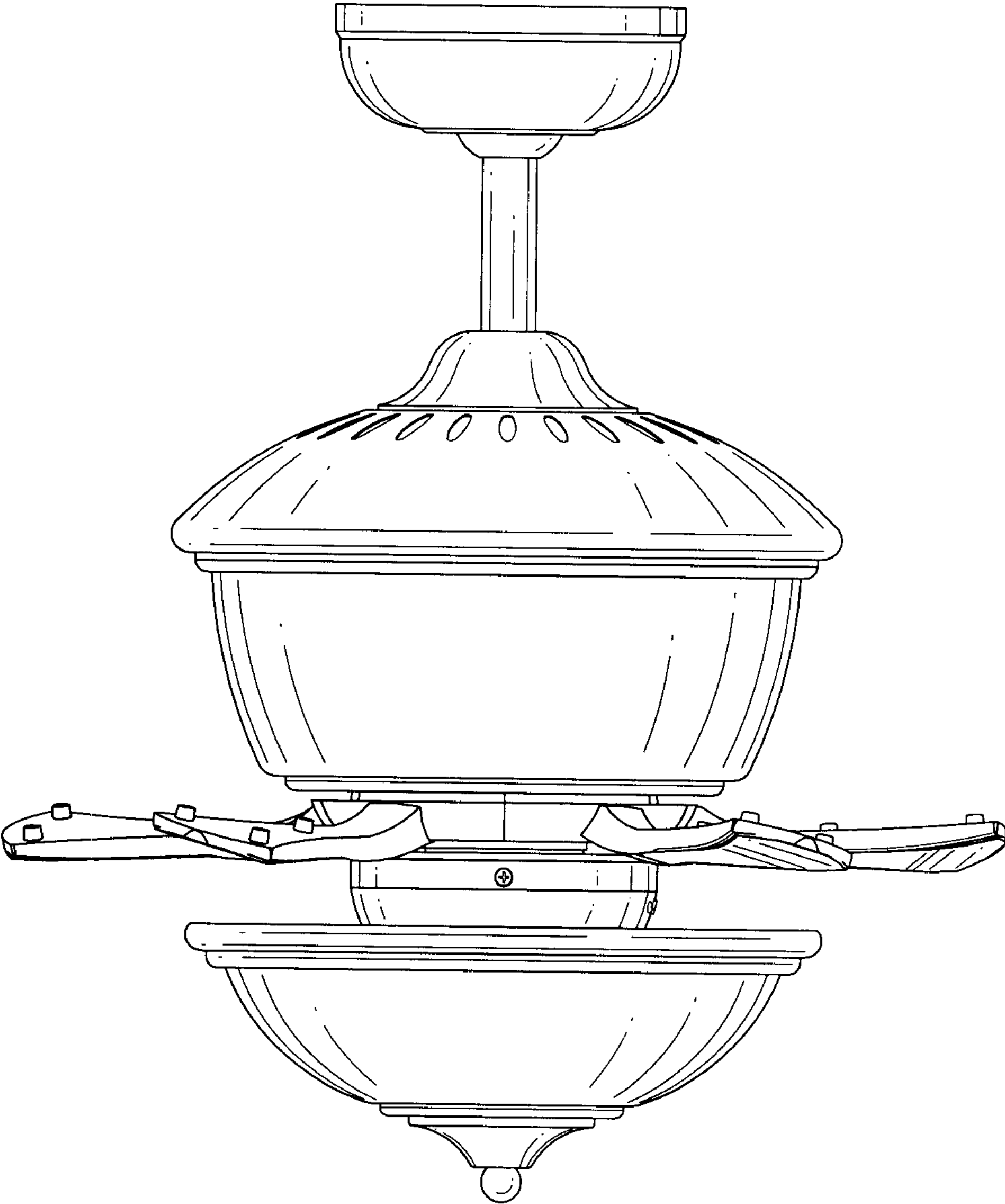


FIG. 4



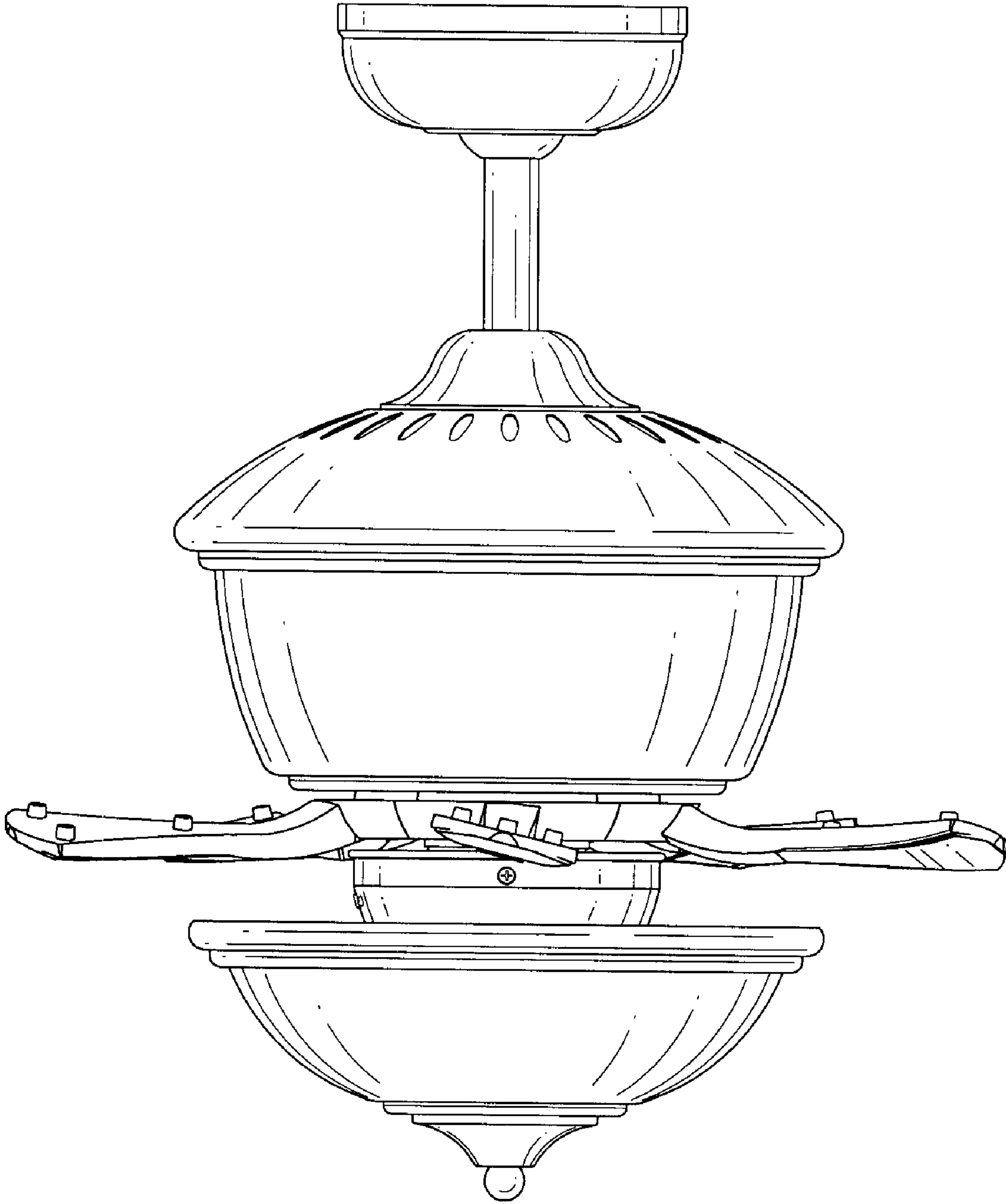


FIG. 5

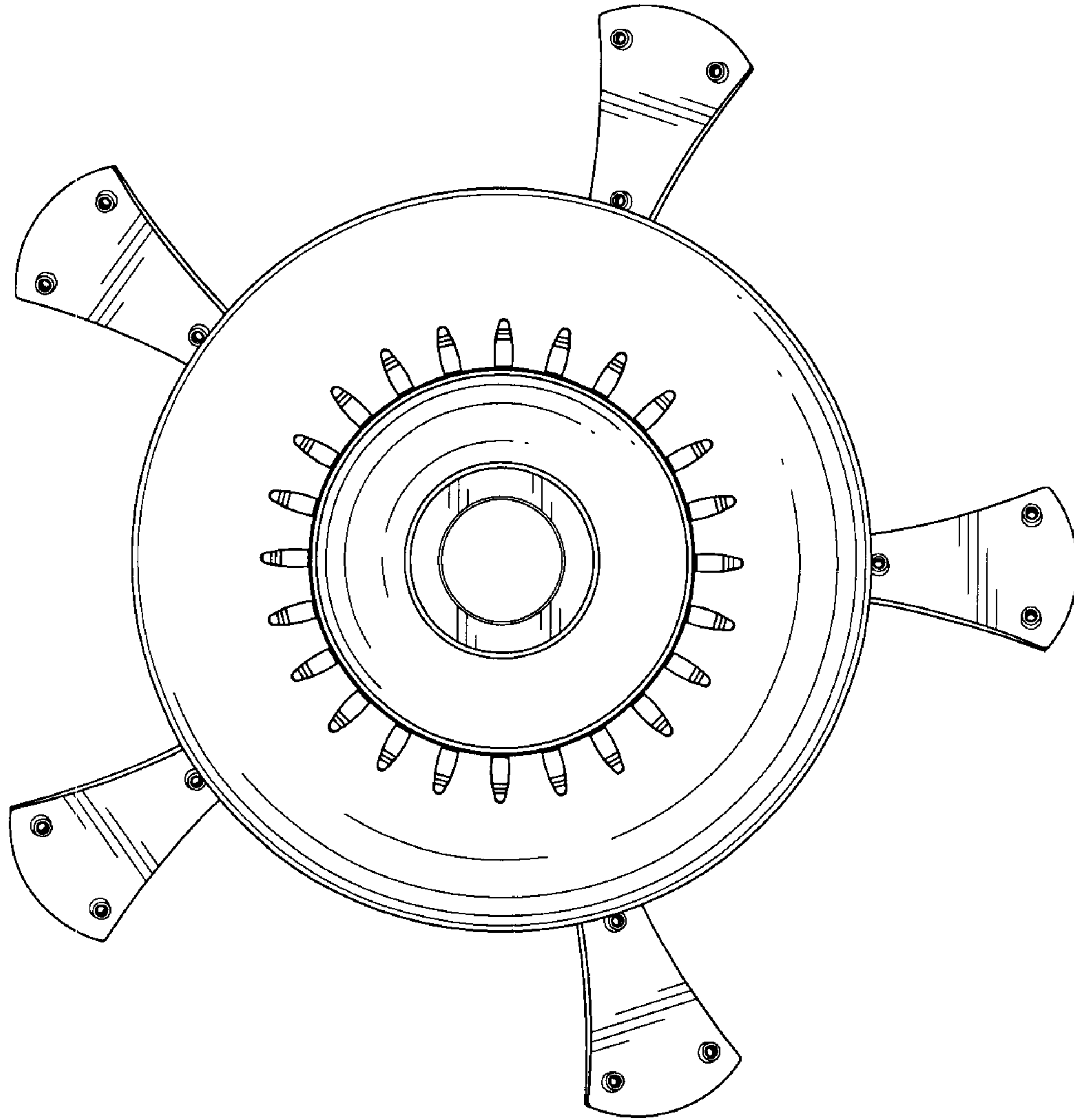


FIG. 6

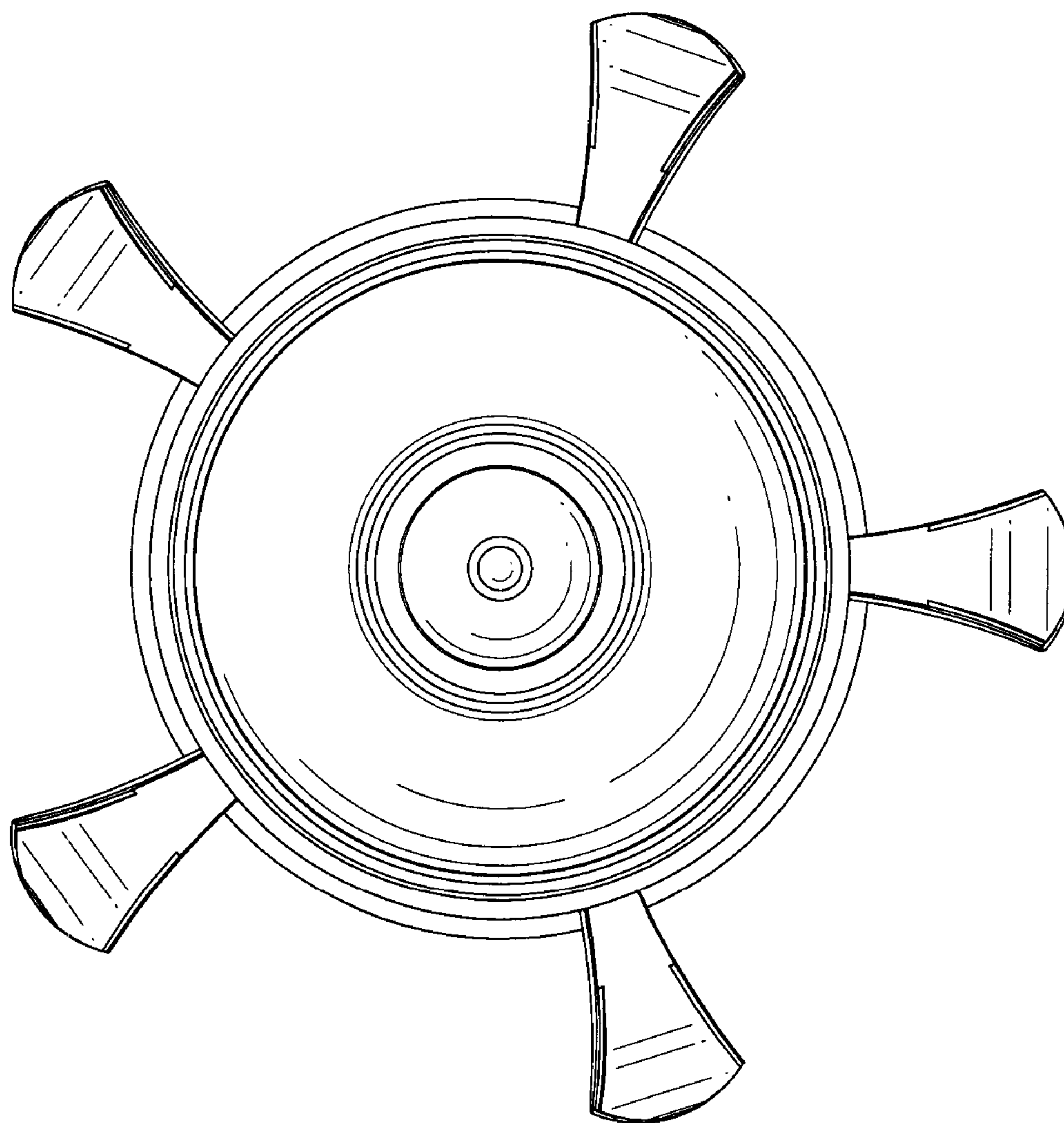


FIG. 7



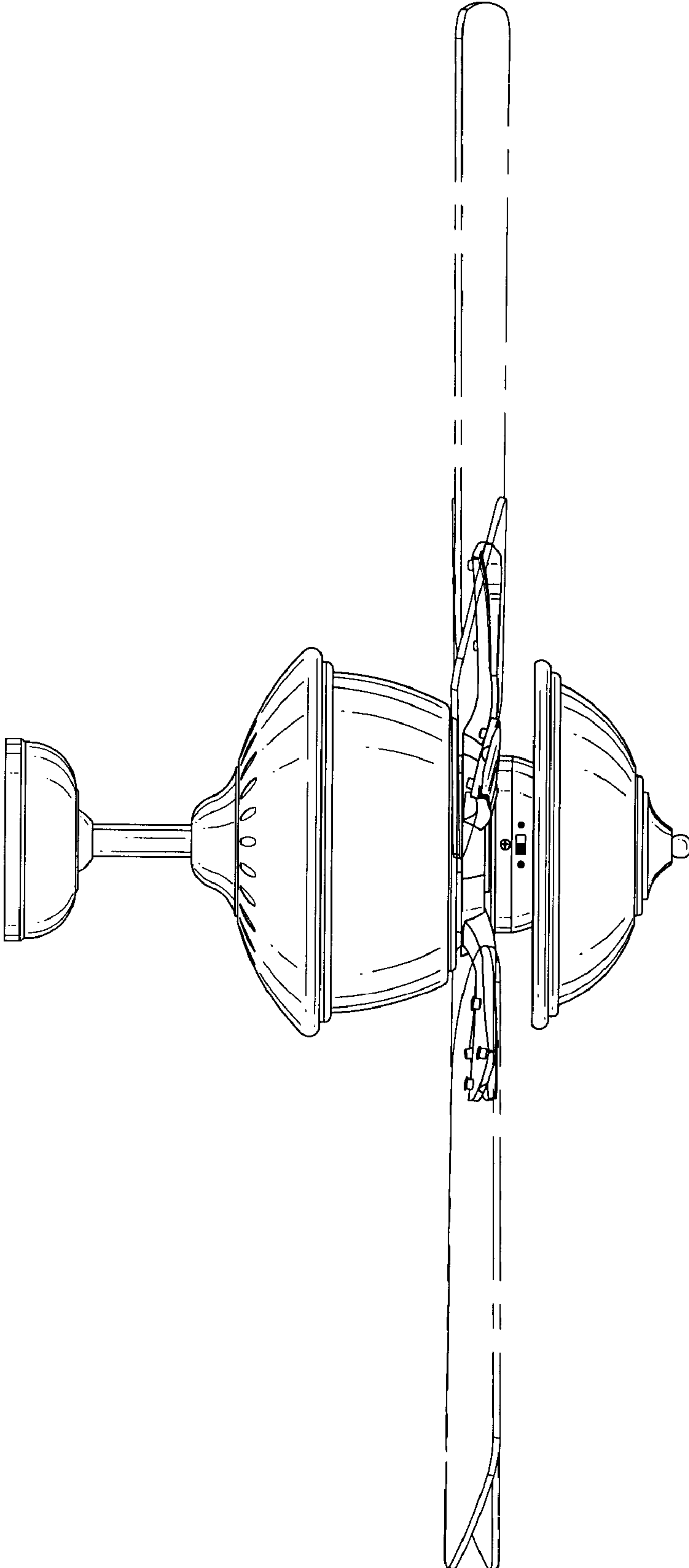


FIG. 8