

US00D547432S

(12) **United States Design Patent**  
**Nishizawa**

(10) **Patent No.:** **US D547,432 S**

(45) **Date of Patent:** **\*\* Jul. 24, 2007**

(54) **AIR VENT**

(75) Inventor: **Keisuke Nishizawa**, Nerima-ku (JP)

(73) Assignee: **Seiho International, Inc.**, Pasadena, CA (US)

(\*\*) Term: **14 Years**

(21) Appl. No.: **29/233,696**

(22) Filed: **Jul. 7, 2005**

(30) **Foreign Application Priority Data**

Jan. 11, 2005 (JP) ..... 2005-3138

(51) **LOC (8) Cl.** ..... **23-04**

(52) **U.S. Cl.** ..... **D23/390**

(58) **Field of Classification Search** ..... D23/390,  
D23/393, 387, 388, 324, 327, 336, 233; D12/345;  
454/290, 316, 325, 359, 264, 265, 270, 273,  
454/274, 275, 297, 303, 306, 310, 322, 324,  
454/71, 219, 286, 154; 239/587.4

See application file for complete search history.

(56) **References Cited**

**U.S. PATENT DOCUMENTS**

2,462,989	A *	3/1949	Mufich et al.	.....	454/286
2,885,943	A *	5/1959	Divizia	.....	454/154
3,238,861	A *	3/1966	Fromme	.....	454/154
3,366,363	A *	1/1968	Hogan et al.	.....	454/154
3,677,474	A *	7/1972	Lorenzen	.....	239/587.4
3,765,317	A *	10/1973	Lowe	.....	454/286
4,524,679	A *	6/1985	Lyons	.....	454/286

4,716,818	A *	1/1988	Brown	.....	454/286
5,328,152	A *	7/1994	Castle	.....	454/286
D363,773	S *	10/1995	Nishizawa	.....	D23/393
D373,184	S *	8/1996	Nishizawa	.....	D23/393
D455,390	S *	4/2002	Granzeier et al.	.....	D12/345
6,887,147	B2 *	5/2005	Thomassin et al.	.....	454/71

\* cited by examiner

*Primary Examiner*—Louis Zarfes

*Assistant Examiner*—David Muller

(74) *Attorney, Agent, or Firm*—Koda & Androlia

(57) **CLAIM**

The ornamental design for an air vent, as shown and described.

**DESCRIPTION**

FIG. 1 is a front elevational view of the air vent showing my new design;

FIG. 2 is a top plan view thereof, the bottom plan view being a mirror image of the top plan view;

FIG. 3 is a right side elevational view thereof, the left side elevational view being a mirror image of the right side elevational view;

FIG. 4 is a perspective view of the air vent taken from the top, front and right side thereof; and,

FIG. 5 is a perspective view of the air vent taken from the top, front and right side thereof with its air flow controller facing down.

**1 Claim, 3 Drawing Sheets**

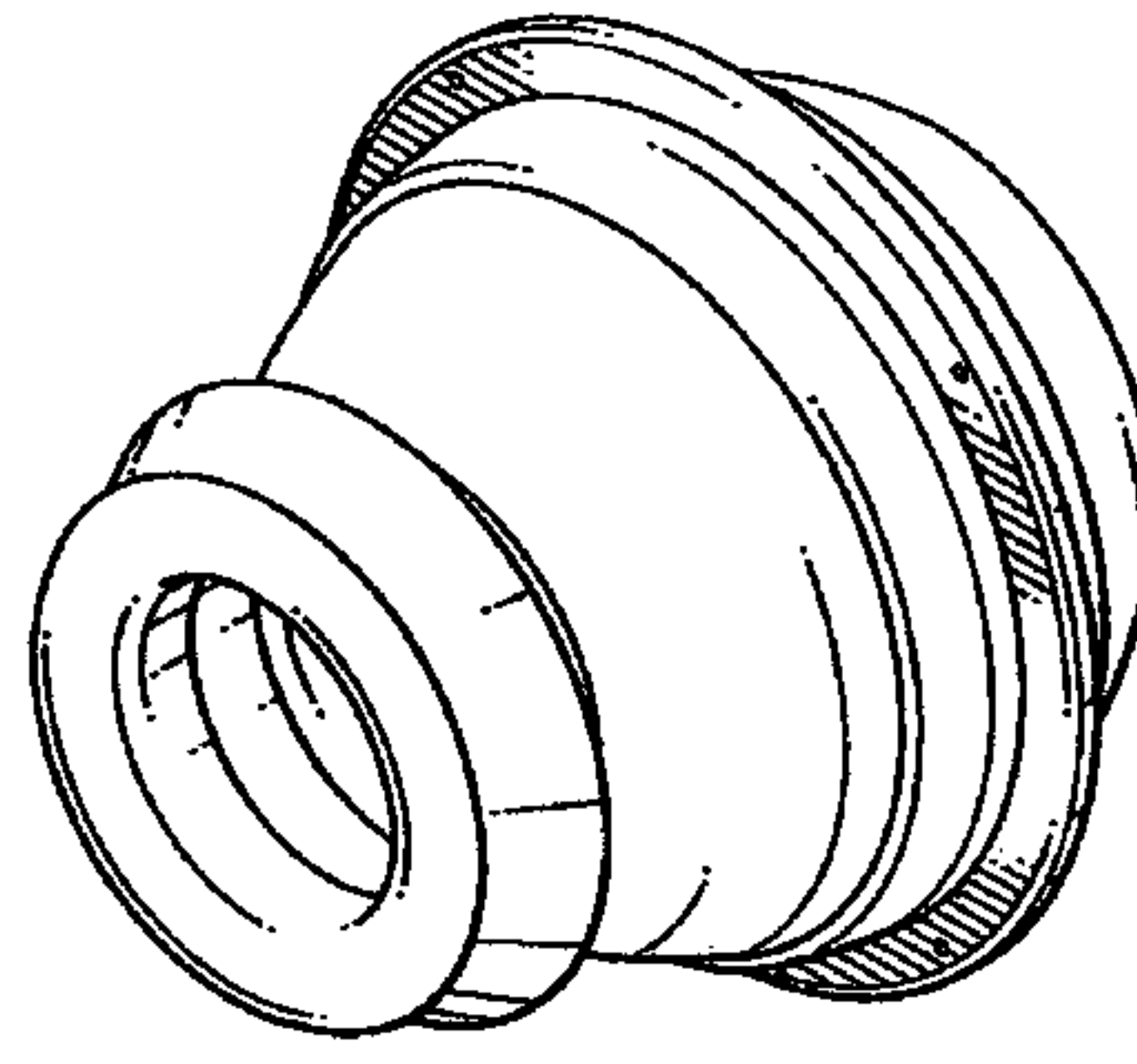
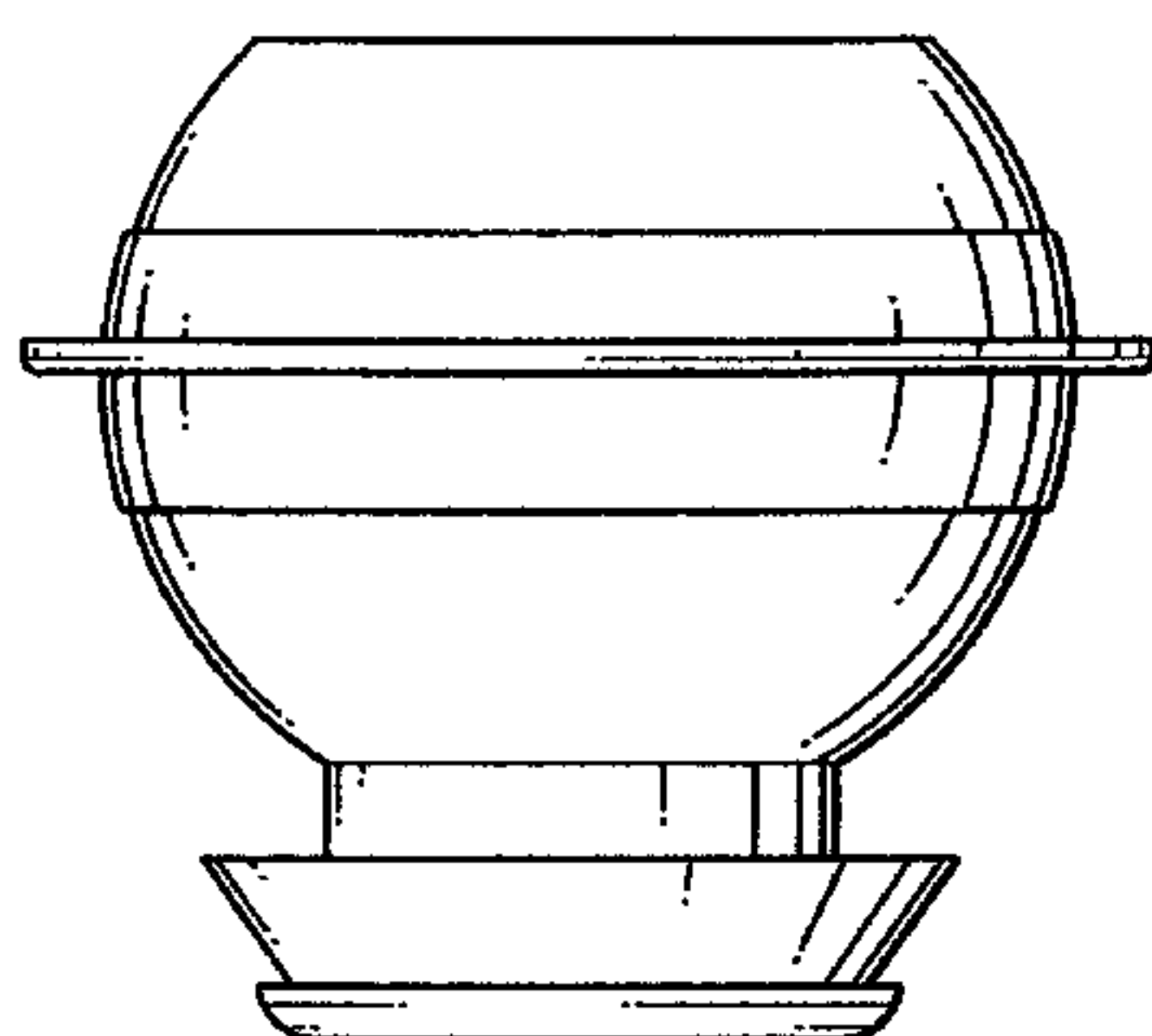
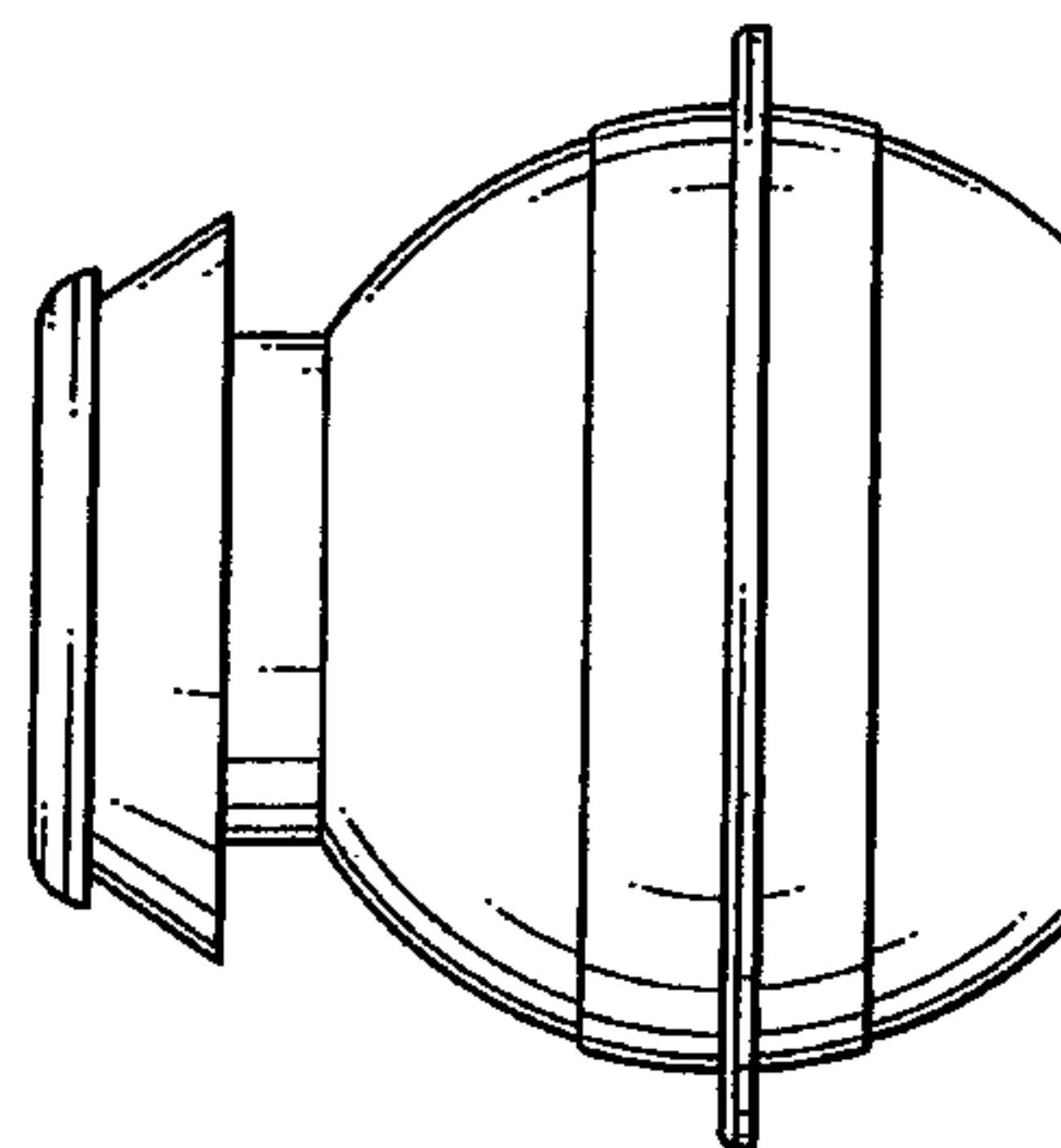
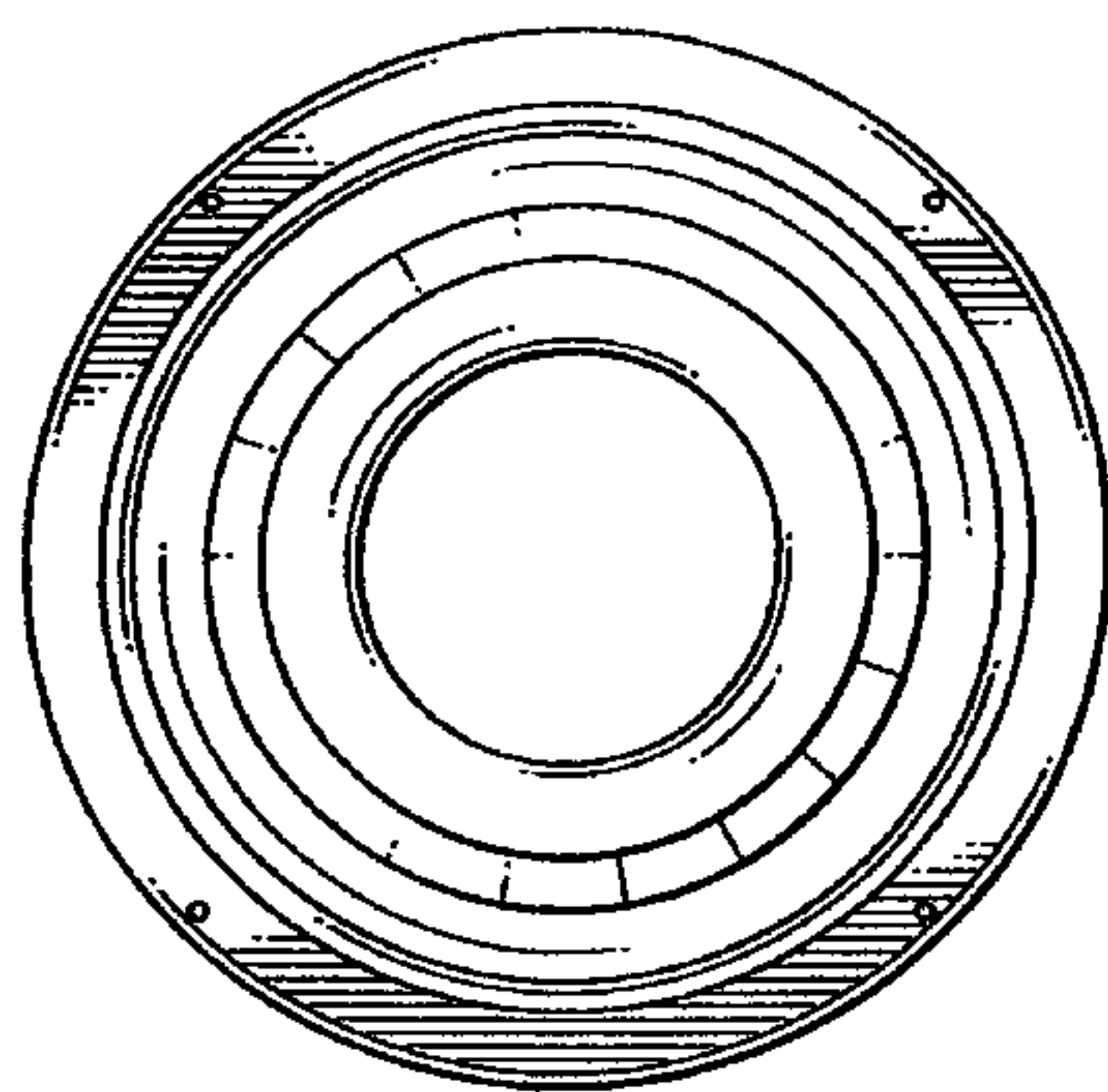


FIG. 1

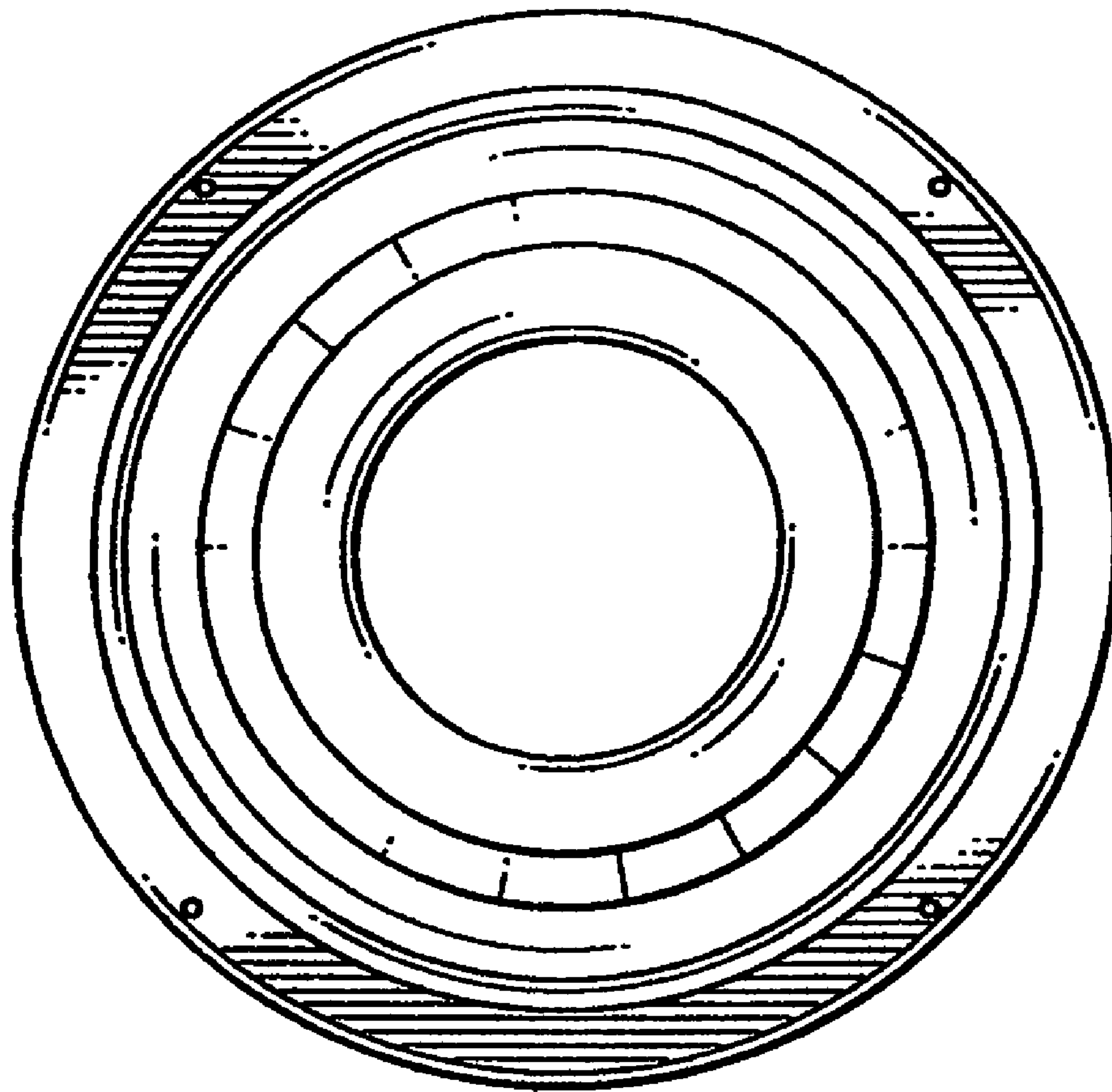


FIG. 2

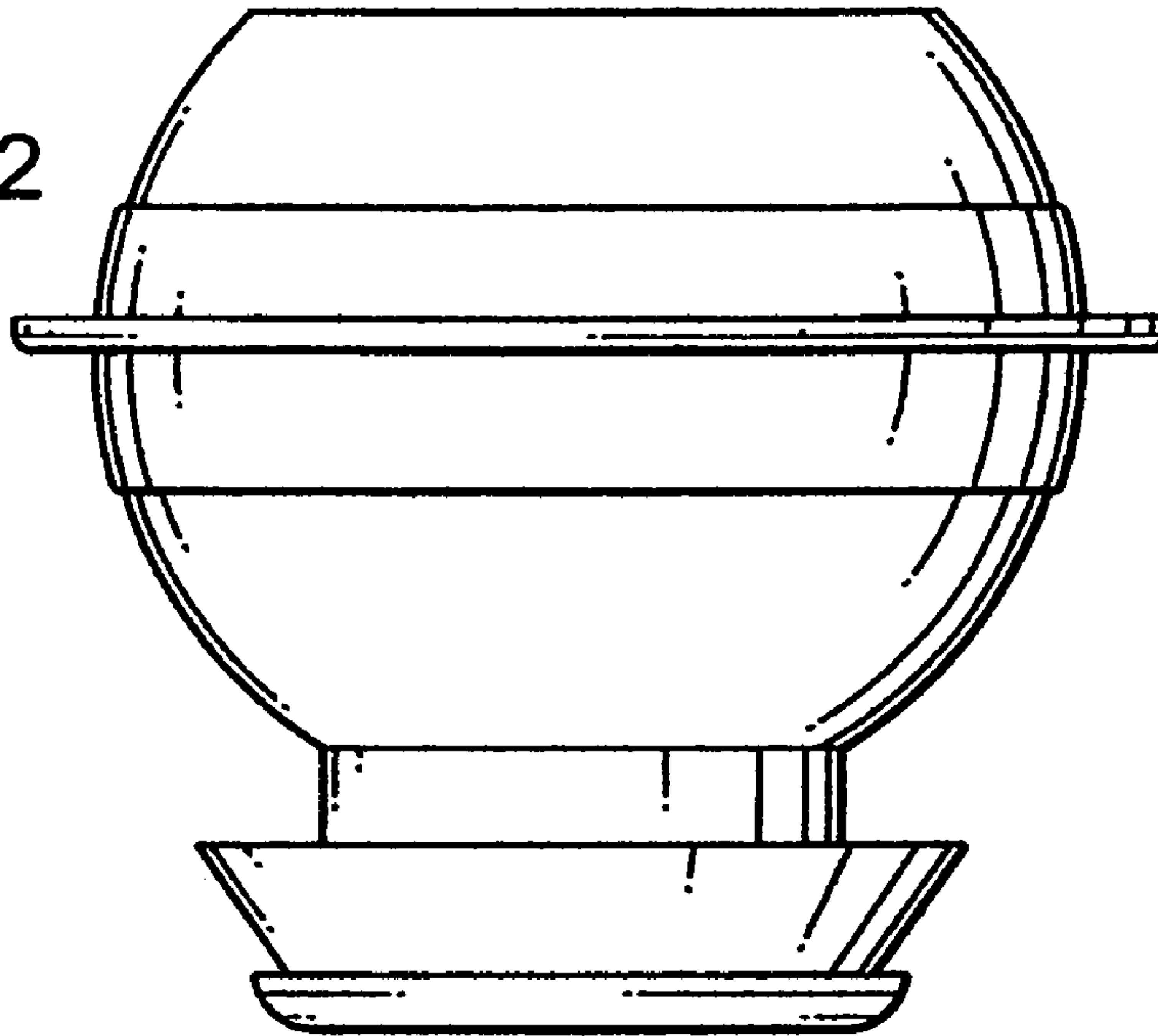


FIG. 3

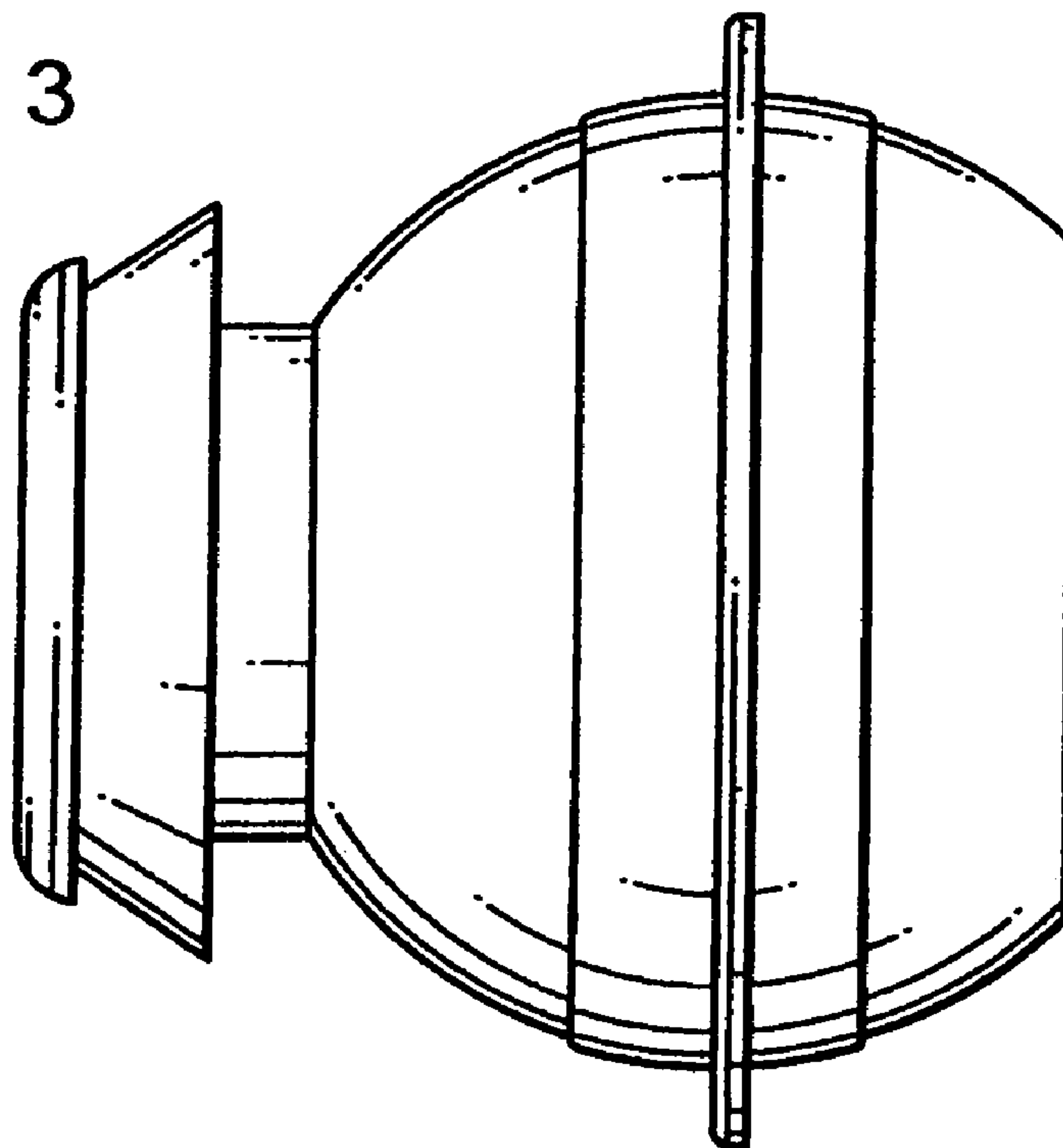


FIG. 4

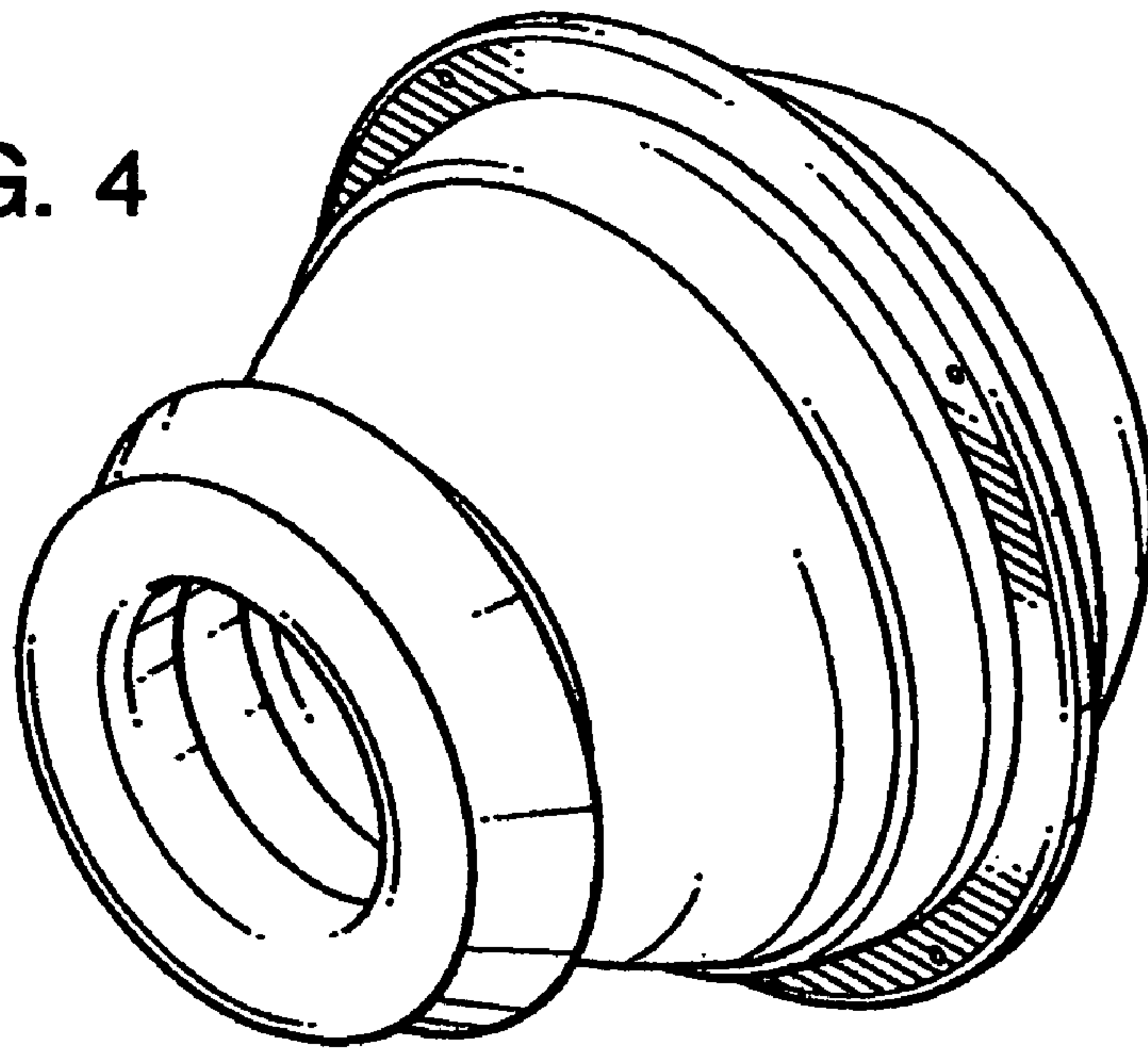


FIG. 5

