



US00D547431S

(12) **United States Design Patent**
Butler et al.

(10) **Patent No.: US D547,431 S**

(45) **Date of Patent: ** Jul. 24, 2007**

(54) **CARTRIDGE AND REFILL OF AIR TREATMENT DEVICE**

(75) Inventors: **Martin Butler**, Hull (GB); **Richard Read**, Hull (GB); **Christopher Smith**, Macclesfield (GB)

(73) Assignee: **Reckitt Benckiser (UK) Limited**, Slough, Berkshire (GB)

(**) Term: **14 Years**

(21) Appl. No.: **29/205,263**

(22) Filed: **May 12, 2004**

(30) **Foreign Application Priority Data**

Nov. 12, 2003 (GB) 3015145

(51) **LOC (8) Cl.** **23-04**

(52) **U.S. Cl.** **D23/366**

(58) **Field of Classification Search** D23/356-369;
392/390, 392, 393, 394, 398; 239/34, 53,
239/56, 57, 58, 135, 136; 261/DIG. 17, DIG. 65,
261/DIG. 88, DIG. 89; D26/9, 12, 22
See application file for complete search history.

(56) **References Cited**

U.S. PATENT DOCUMENTS

3,951,622 A * 4/1976 Wilk 239/6

4,301,095 A	*	11/1981	Mettler et al.	261/30
5,165,603 A	*	11/1992	Hahn	239/55
D380,257 S	*	6/1997	Ganor	D23/366
D389,906 S	*	1/1998	Goeren et al.	D23/367
5,749,519 A	*	5/1998	Miller	239/44
D432,223 S	*	10/2000	King	D23/366
D434,843 S	*	12/2000	Zaragoza et al.	D23/366
D455,827 S	*	4/2002	Simons et al.	D23/366
D478,160 S	*	8/2003	Wohrle	D23/366

* cited by examiner

Primary Examiner—Sandra S. Snapp

(74) *Attorney, Agent, or Firm*—Norris McLaughlin & Marcus, PA

(57) **CLAIM**

The ornamental design for a cartridge and refill of air treatment device, as shown and described.

DESCRIPTION

FIG. 1 is a perspective view of the front of a cartridge and refill of air treatment device;

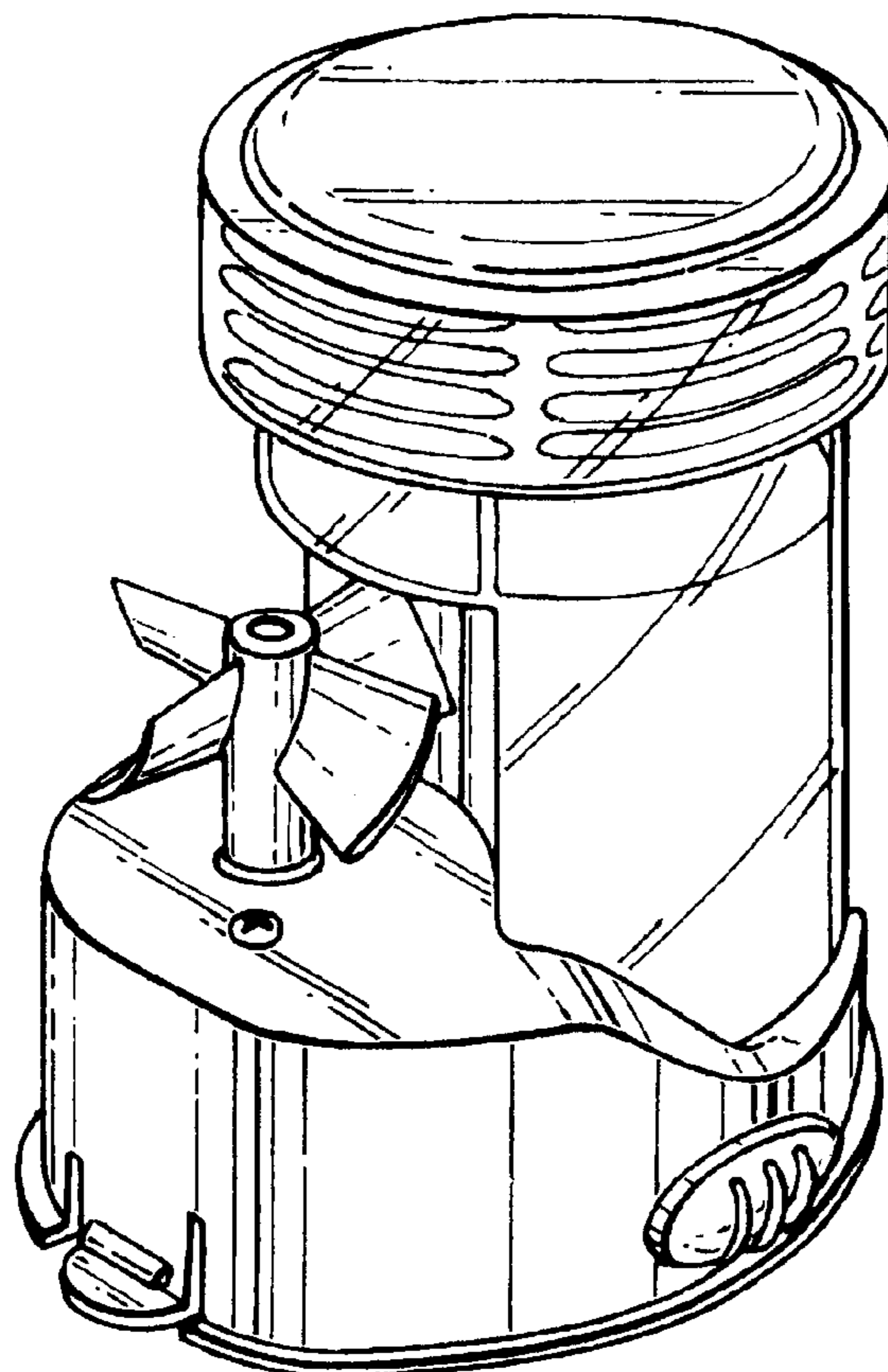
FIG. 2 is a rear elevation view thereof;

FIG. 3 is a side elevation view thereof;

FIG. 4 is a plan view of the top thereof; and,

FIG. 5 is a plan view of the bottom thereof.

1 Claim, 2 Drawing Sheets



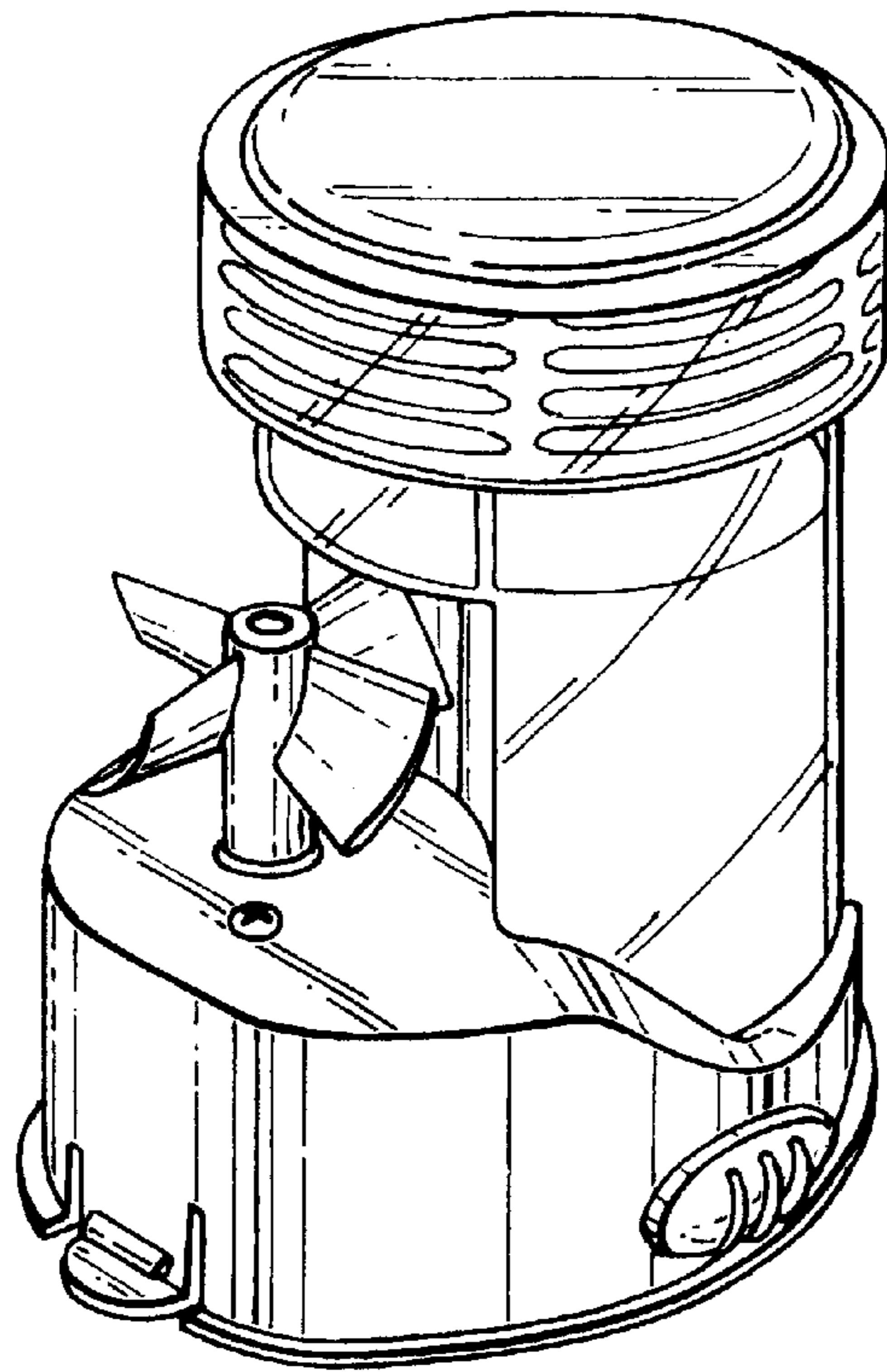


Fig. 1.

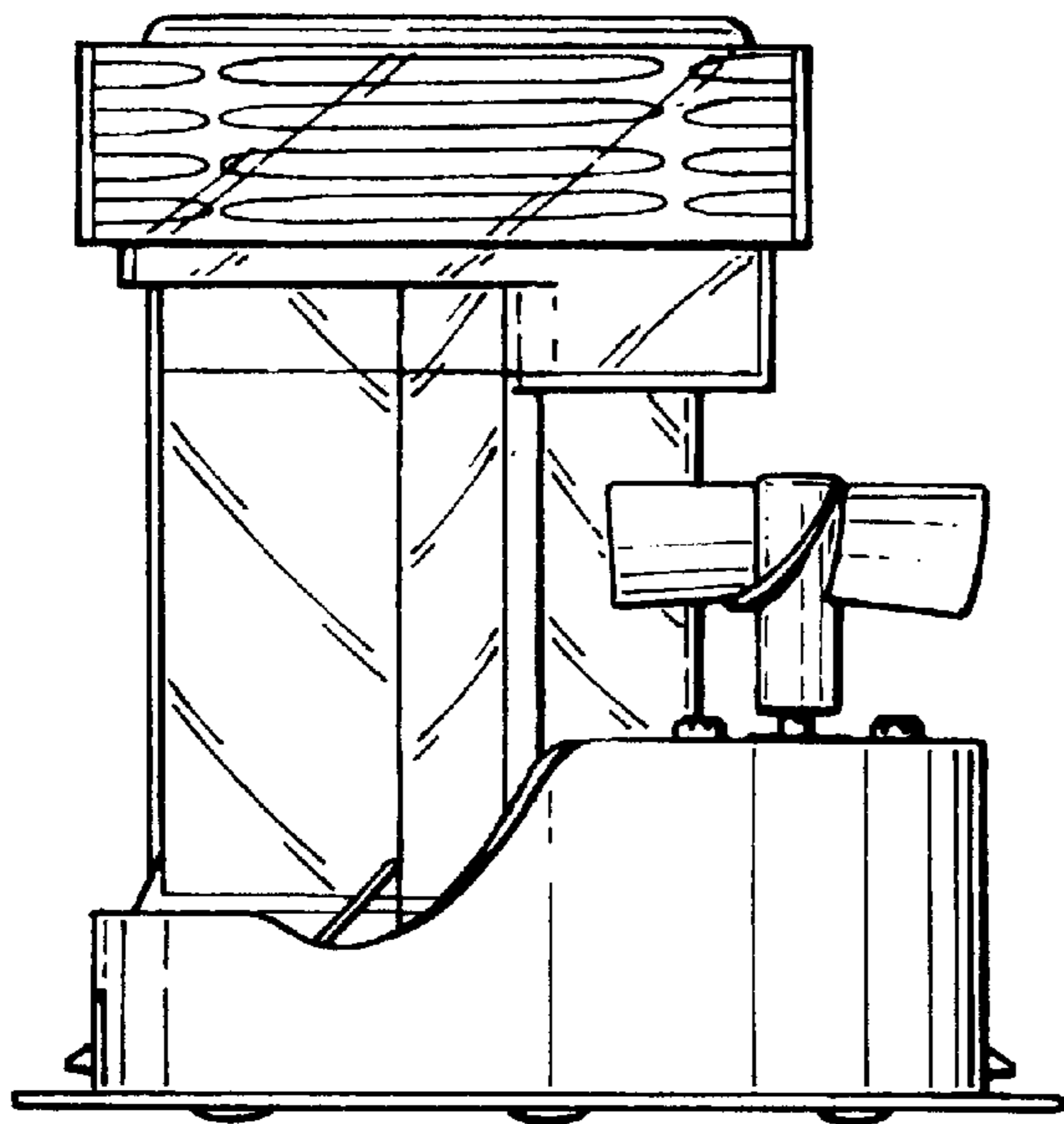


Fig. 2.

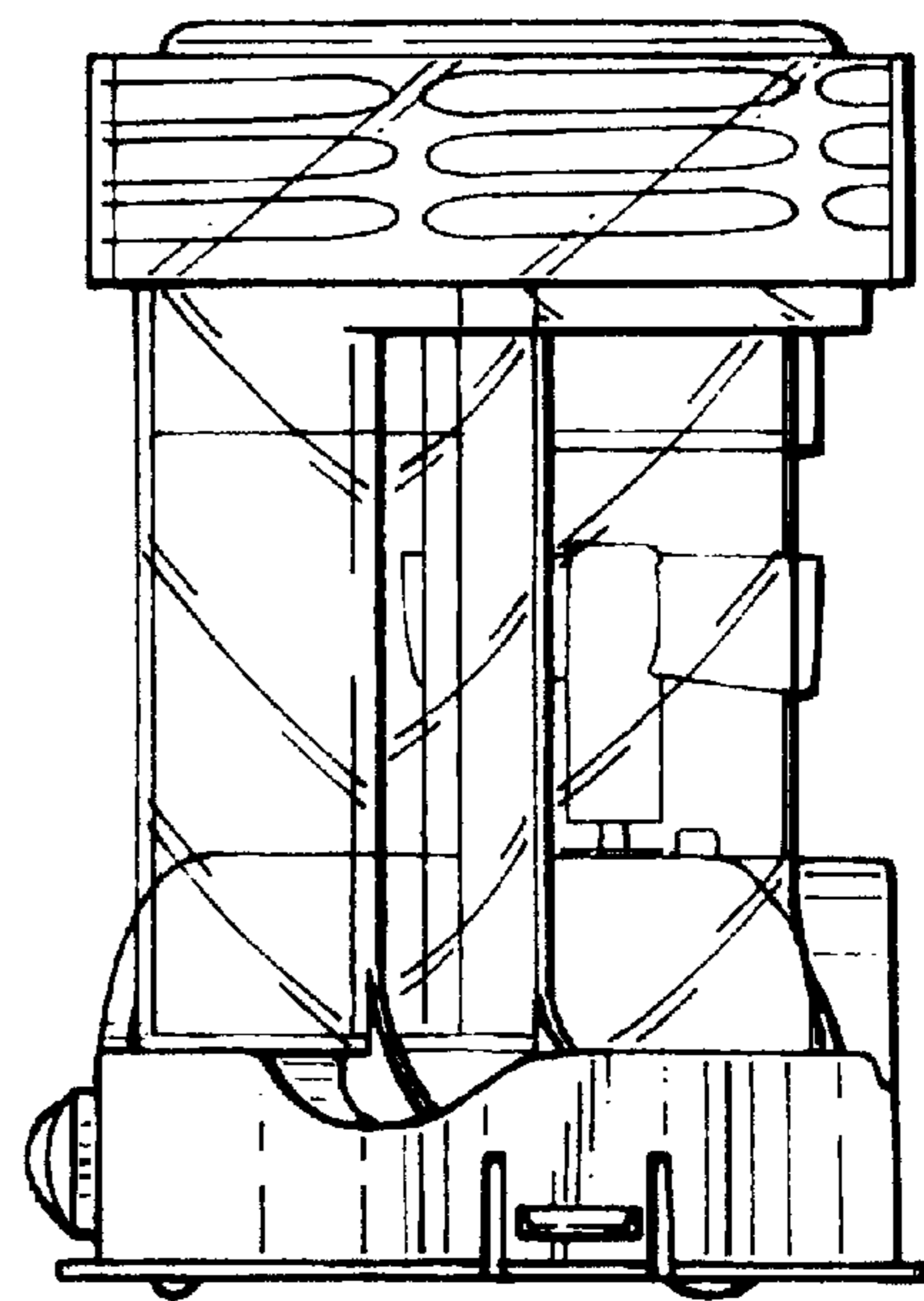


Fig. 3.

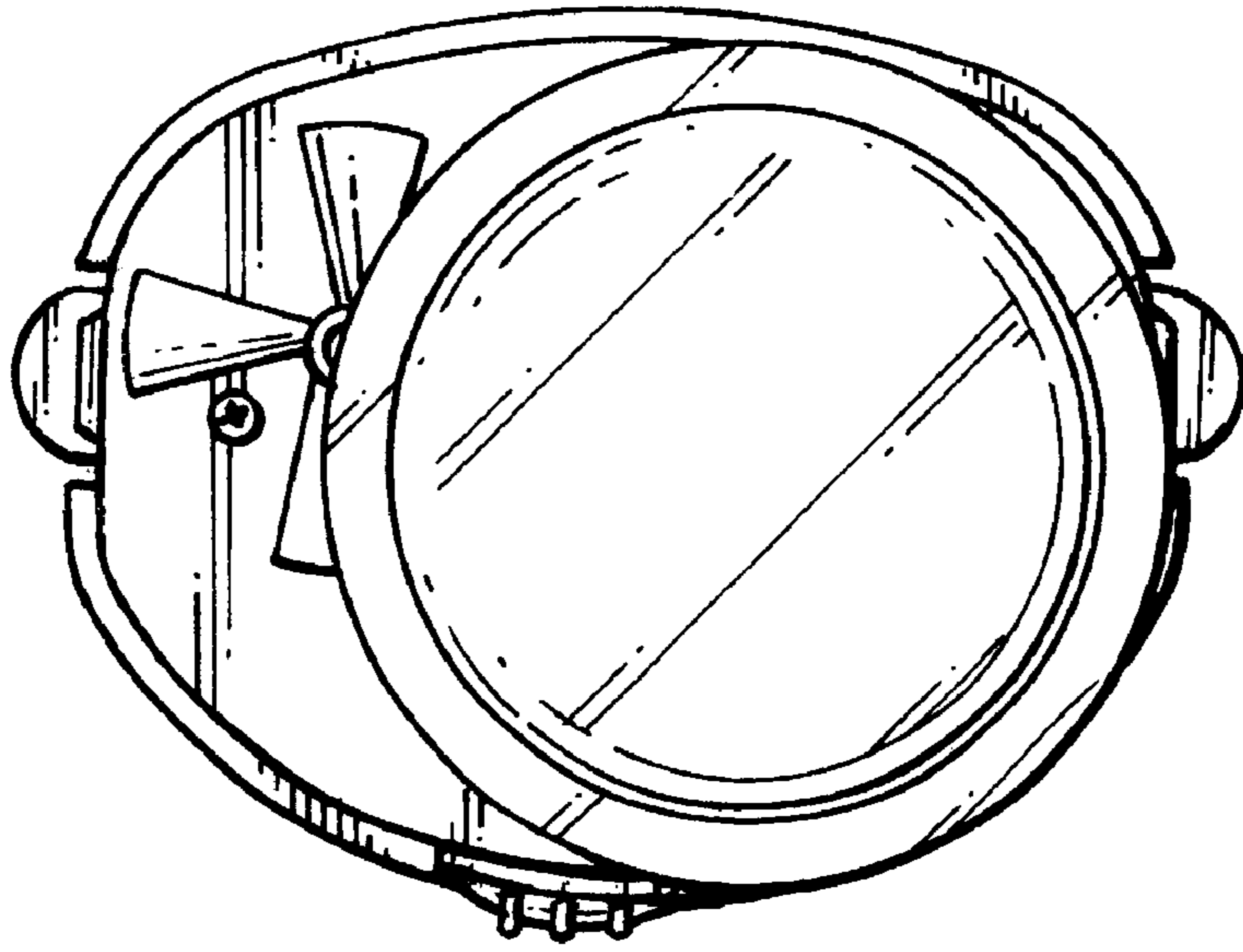


Fig.4.

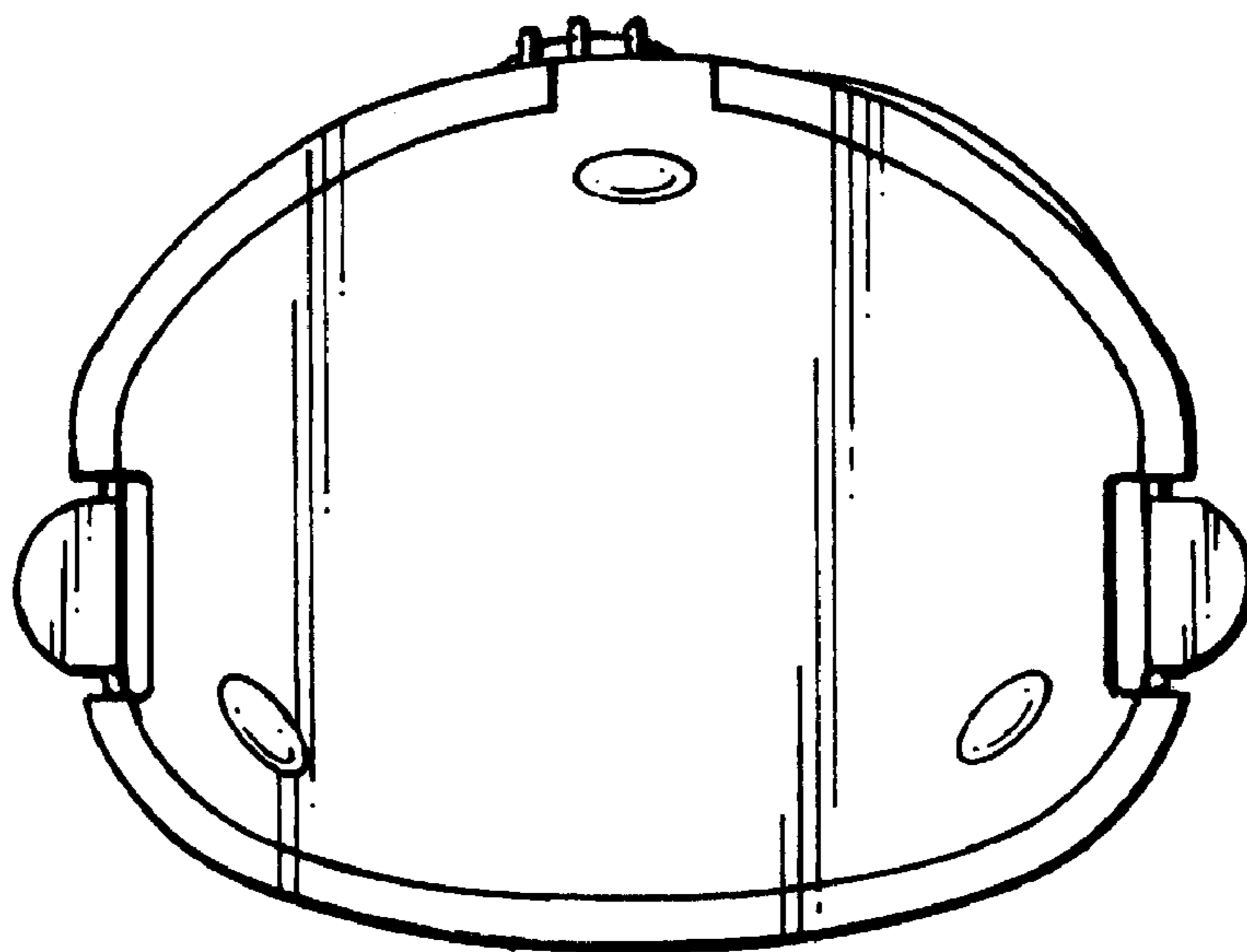


Fig.5.