



US00D547428S

(12) **United States Design Patent**  
**Kinney, Jr. et al.**

(10) **Patent No.:** **US D547,428 S**

(45) **Date of Patent:** **\*\* Jul. 24, 2007**

(54) **LATTICE GRID**

(75) Inventors: **Ohler L. Kinney, Jr.**, Overland Park, KS (US); **Kathryn L. Pullen**, Lenexa, KS (US); **Eldon F. Mockry**, Lenexa, KS (US)

(73) Assignee: **SPX Cooling Technologies, Inc.**, Overland Park, KS (US)

(\*\*) Term: **14 Years**

(21) Appl. No.: **29/226,669**

(22) Filed: **Apr. 1, 2005**

(51) **LOC (8) Cl.** ..... **23-01**

(52) **U.S. Cl.** ..... **D23/351**

(58) **Field of Classification Search** ..... D23/351, D23/354; 261/110, 111, 108, DIG. 11, DIG. 72; 52/578

See application file for complete search history.

(56) **References Cited**

**U.S. PATENT DOCUMENTS**

3,879,502 A 4/1975 Furlong et al. .... 261/111

4,512,937 A \* 4/1985 Hoffmann ..... 261/111  
4,996,008 A \* 2/1991 Peterson ..... 261/111  
5,017,309 A \* 5/1991 Peterson ..... 261/111  
5,811,035 A \* 9/1998 Mockry ..... 261/111  
D465,838 S \* 11/2002 Kauffmann et al. .... D23/351  
6,708,960 B2 3/2004 Olson et al. .... 261/111

\* cited by examiner

*Primary Examiner*—Brian N Vinson

(74) *Attorney, Agent, or Firm*—Baker & Hostetler LLP

(57) **CLAIM**

The ornamental design for a lattice grid, as shown and described.

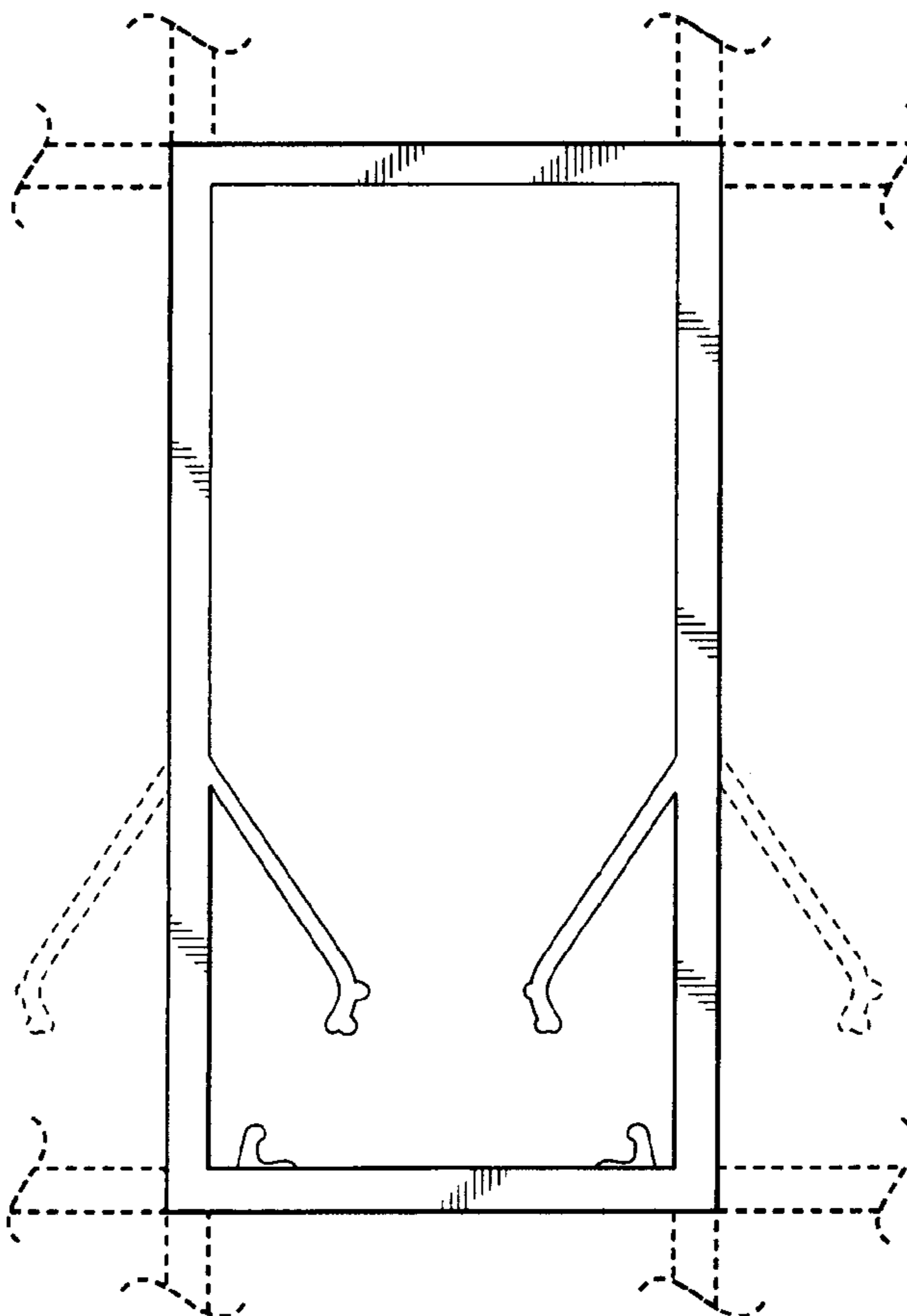
**DESCRIPTION**

FIG. 1 is a side view of the lattice grid device, showing our new design; and,

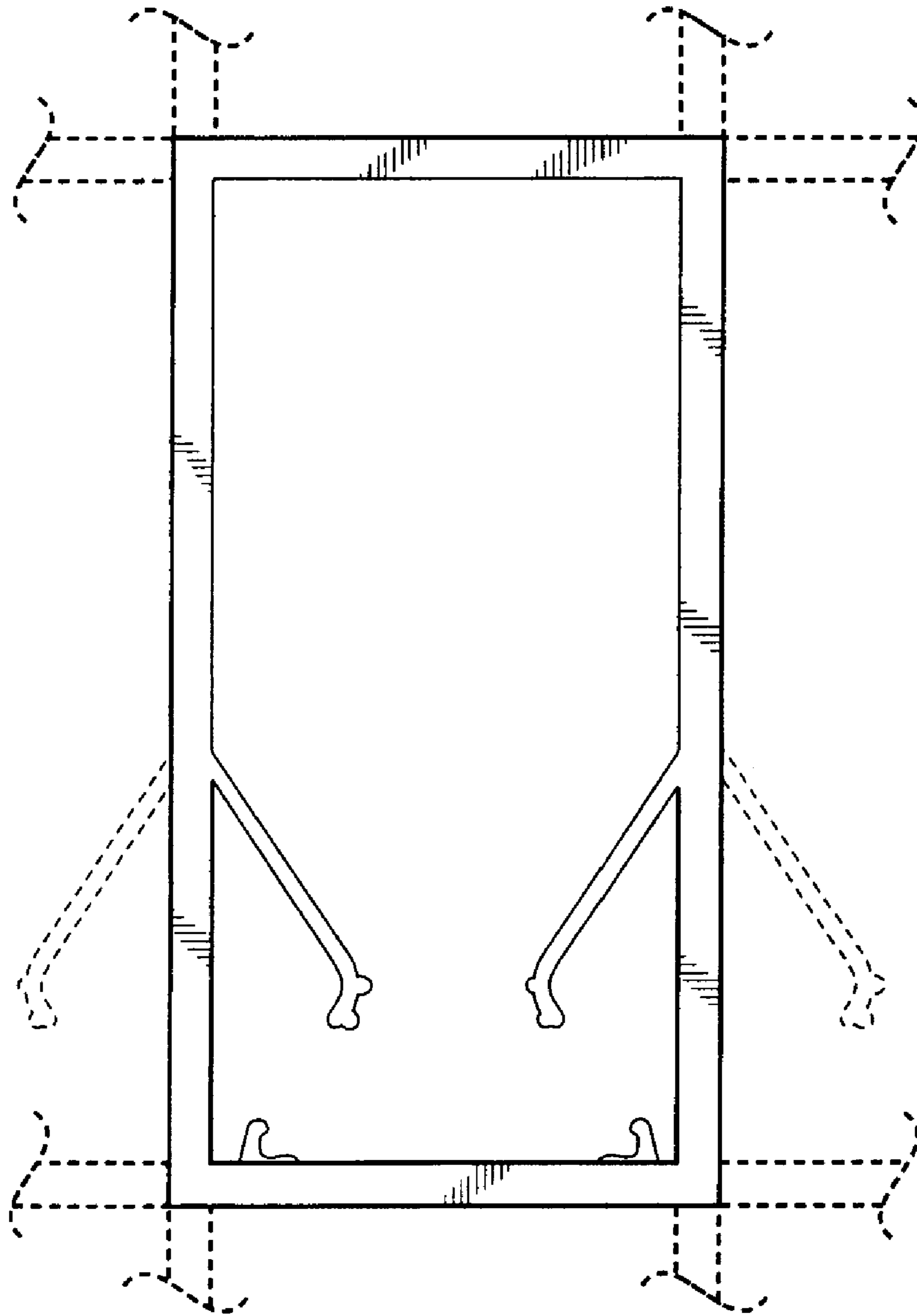
FIG. 2 is perspective view thereof.

The broken line disclosure in the views is understood to be for illustrative purposes only and forms no part of the claimed design.

**1 Claim, 2 Drawing Sheets**



**FIG. 1**



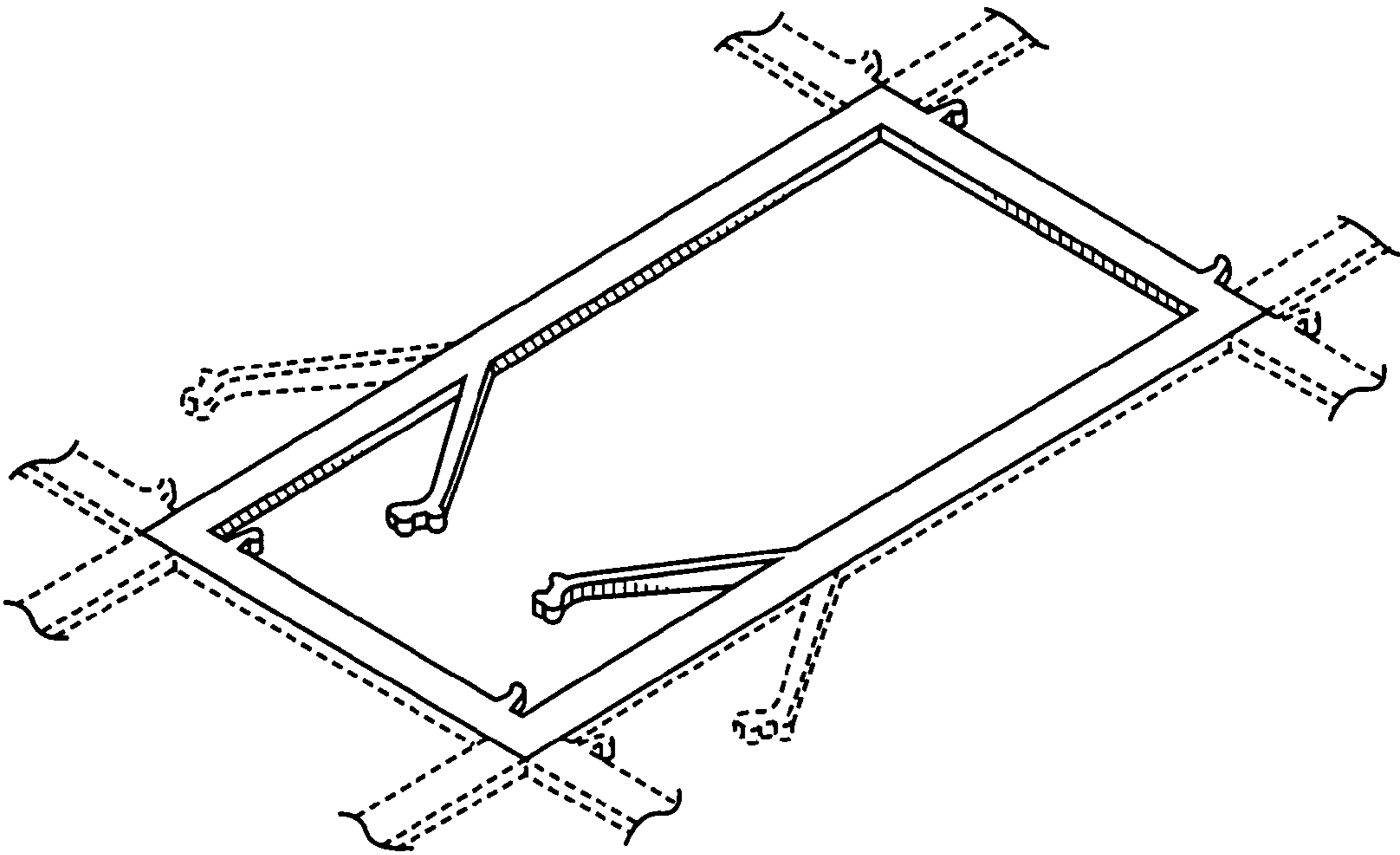


FIG. 2