

US00D547422S

(12) **United States Design Patent**
Carpanese

(10) **Patent No.:** **US D547,422 S**
(45) **Date of Patent:** **** Jul. 24, 2007**

(54) **SPRAY GUN**

(57) **CLAIM**

(75) Inventor: **Claudio Carpanese**, Rovolon (IT)

The ornamental design for spray gun, as shown and described.

(73) Assignee: **Neccanica Veneta S.p.A.**, Rubano (IT)

(**) Term: **14 Years**

DESCRIPTION

(21) Appl. No.: **29/239,057**

(22) Filed: **Sep. 26, 2005**

(30) **Foreign Application Priority Data**

Apr. 8, 2005 (EM) 000324116

(51) **LOC (8) Cl.** **23-01**

(52) **U.S. Cl.** **D23/226**

(58) **Field of Classification Search** D23/213,
D23/223, 226; 239/525-526

See application file for complete search history.

(56) **References Cited**

U.S. PATENT DOCUMENTS

4,541,568 A * 9/1985 Lichfield 239/441
D489,792 S * 5/2004 Chen D23/223
D511,808 S * 11/2005 Chen D23/223
D518,873 S * 4/2006 Carpanese D23/223
7,090,150 B2 * 8/2006 Amaduzzi 239/526

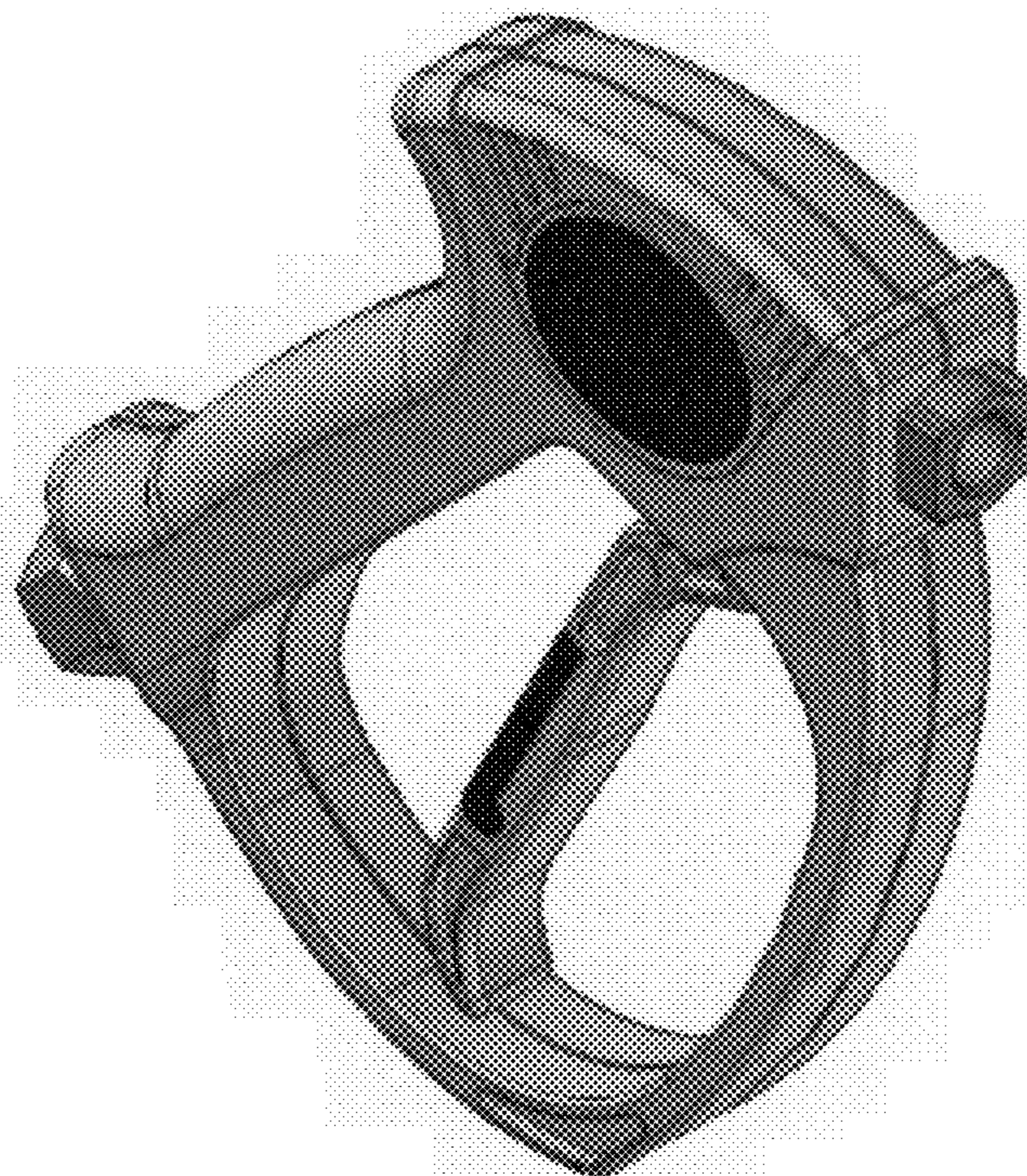
* cited by examiner

Primary Examiner—Robin Webster

(74) *Attorney, Agent, or Firm*—Modiano & Associati; Albert Josif; Daniel O'Byrne

FIG. 1 is a perspective front view, showing my new design;
FIG. 2 is a perspective rear view thereof;
FIG. 3 is a front view thereof;
FIG. 4 is a rear view thereof;
FIG. 5 is a right side view thereof;
FIG. 6 is a left side view thereof;
FIG. 7 is a plan view from above thereof;
FIG. 8 is a plan view from below thereof;
FIG. 9 is a perspective front view of a second embodiment, according to the invention;
FIG. 10 is a perspective rear view thereof;
FIG. 11 is a front view thereof;
FIG. 12 is a rear view thereof;
FIG. 13 is a right side view thereof;
FIG. 14 is a left side view thereof;
FIG. 15 is a plan view from above thereof; and,
FIG. 16 is a plan view from below thereof.

1 Claim, 4 Drawing Sheets



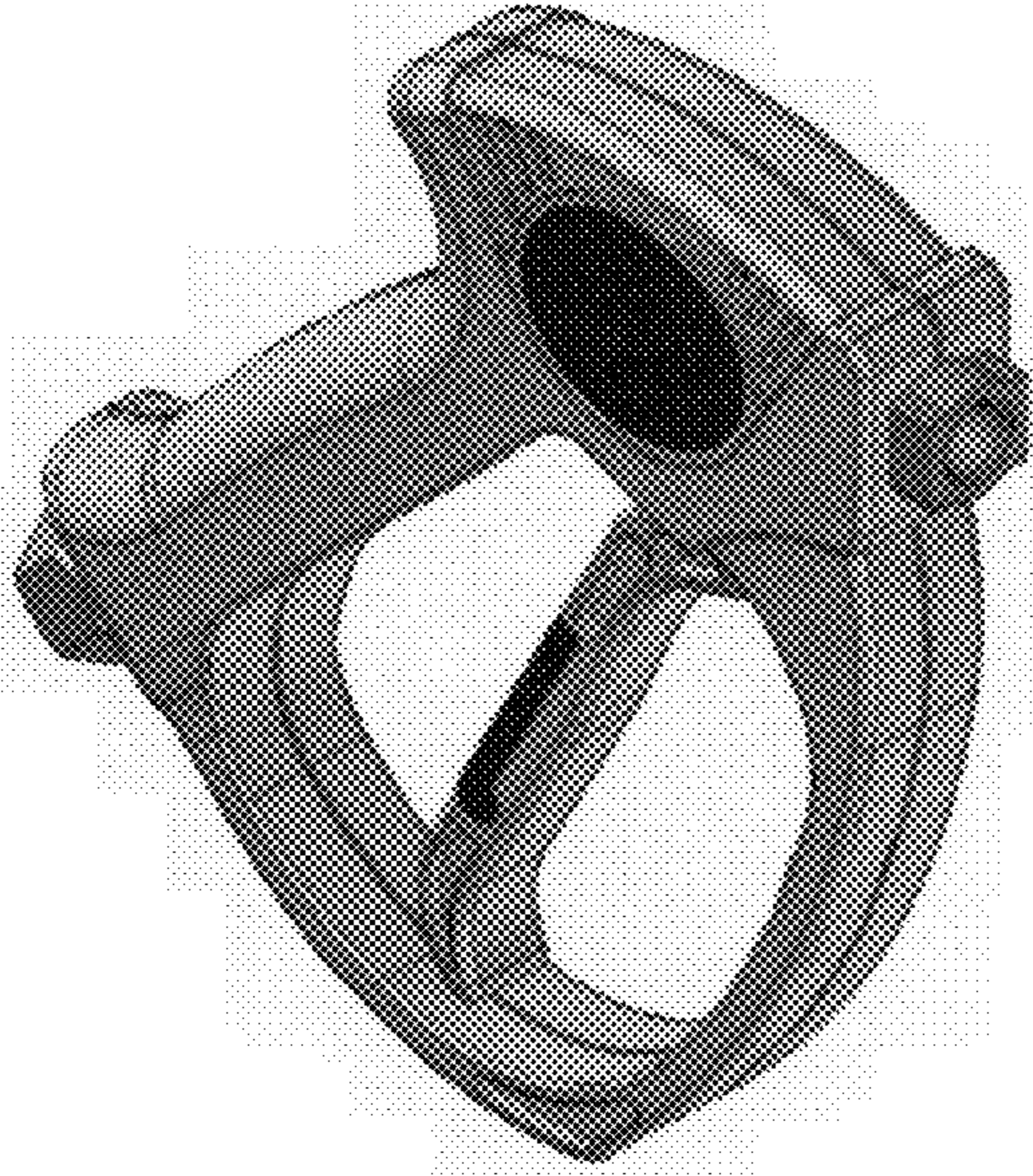


Fig. 1



Fig. 2

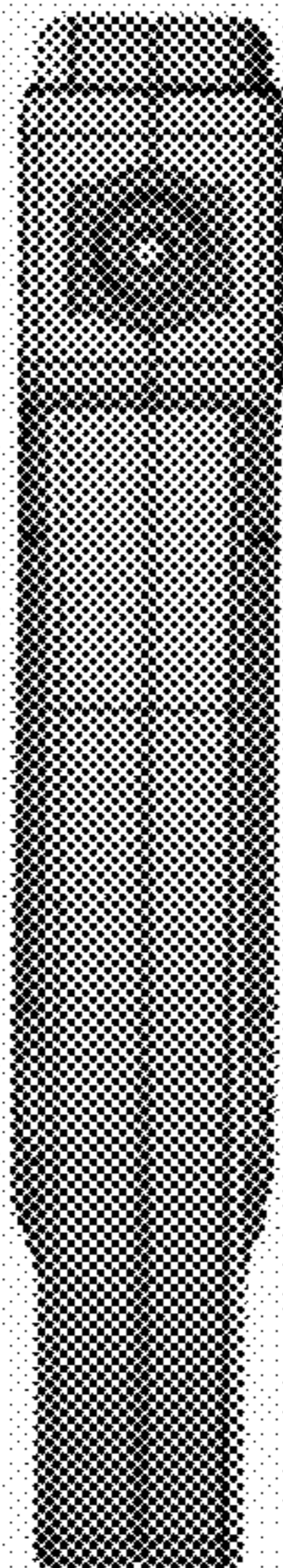


Fig. 3

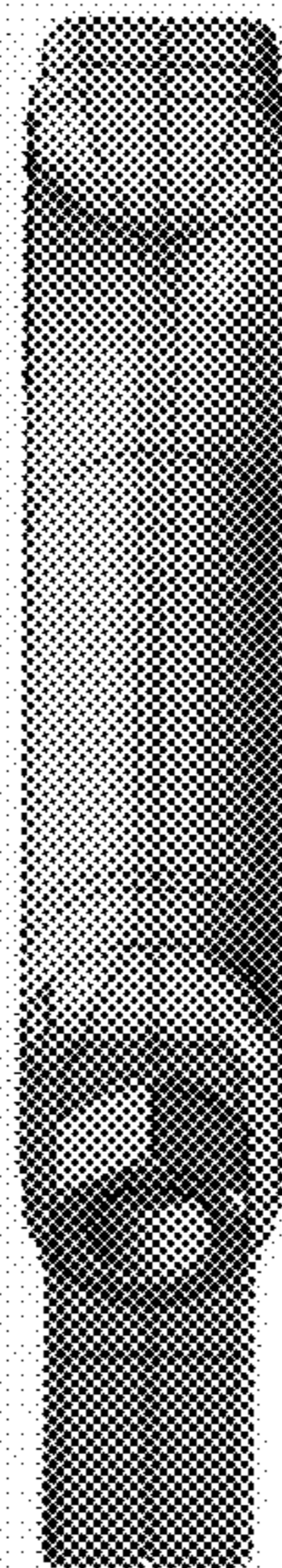


Fig. 4



Fig. 5



Fig. 6



Fig. 7



Fig. 8

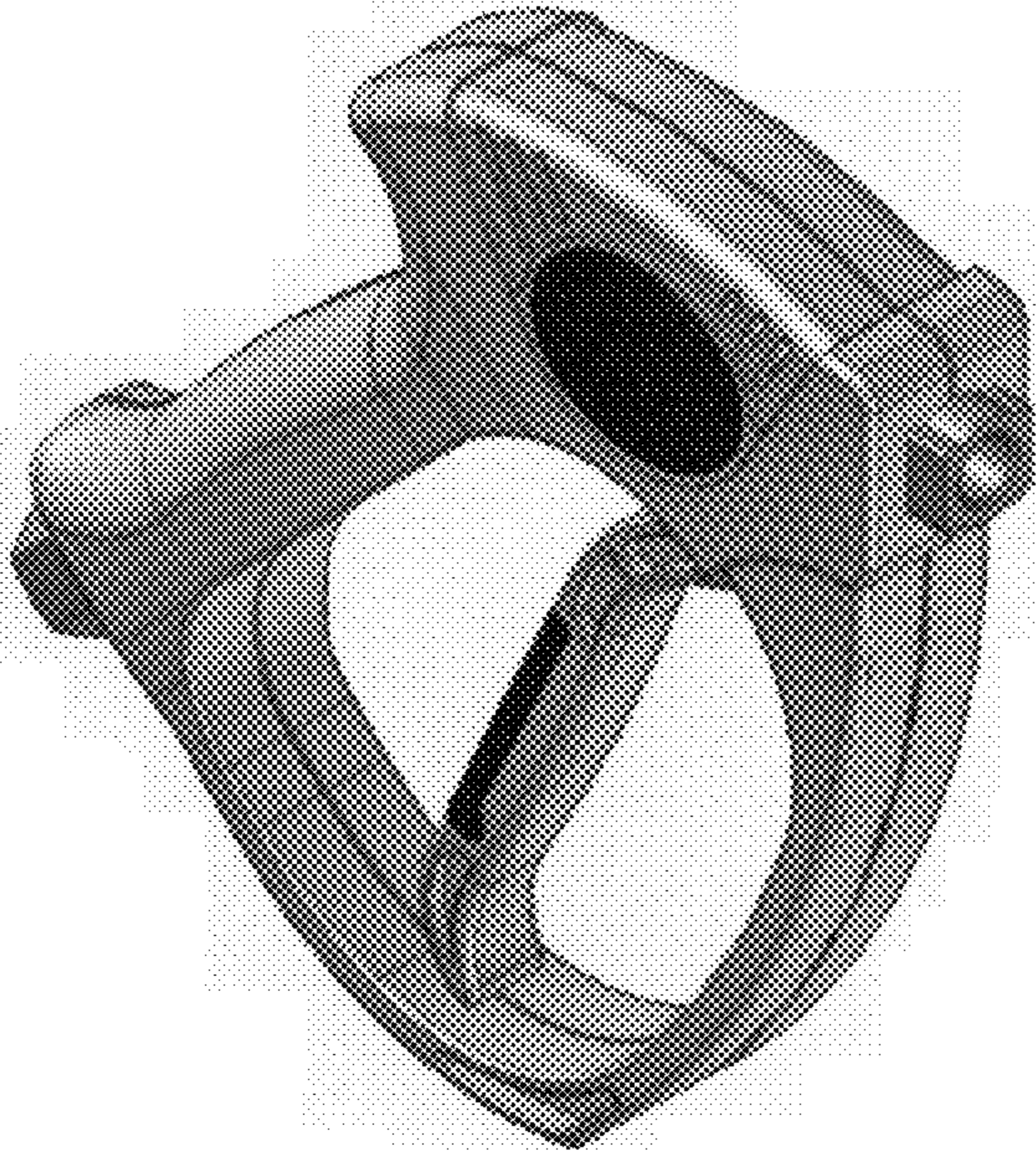


Fig. 9

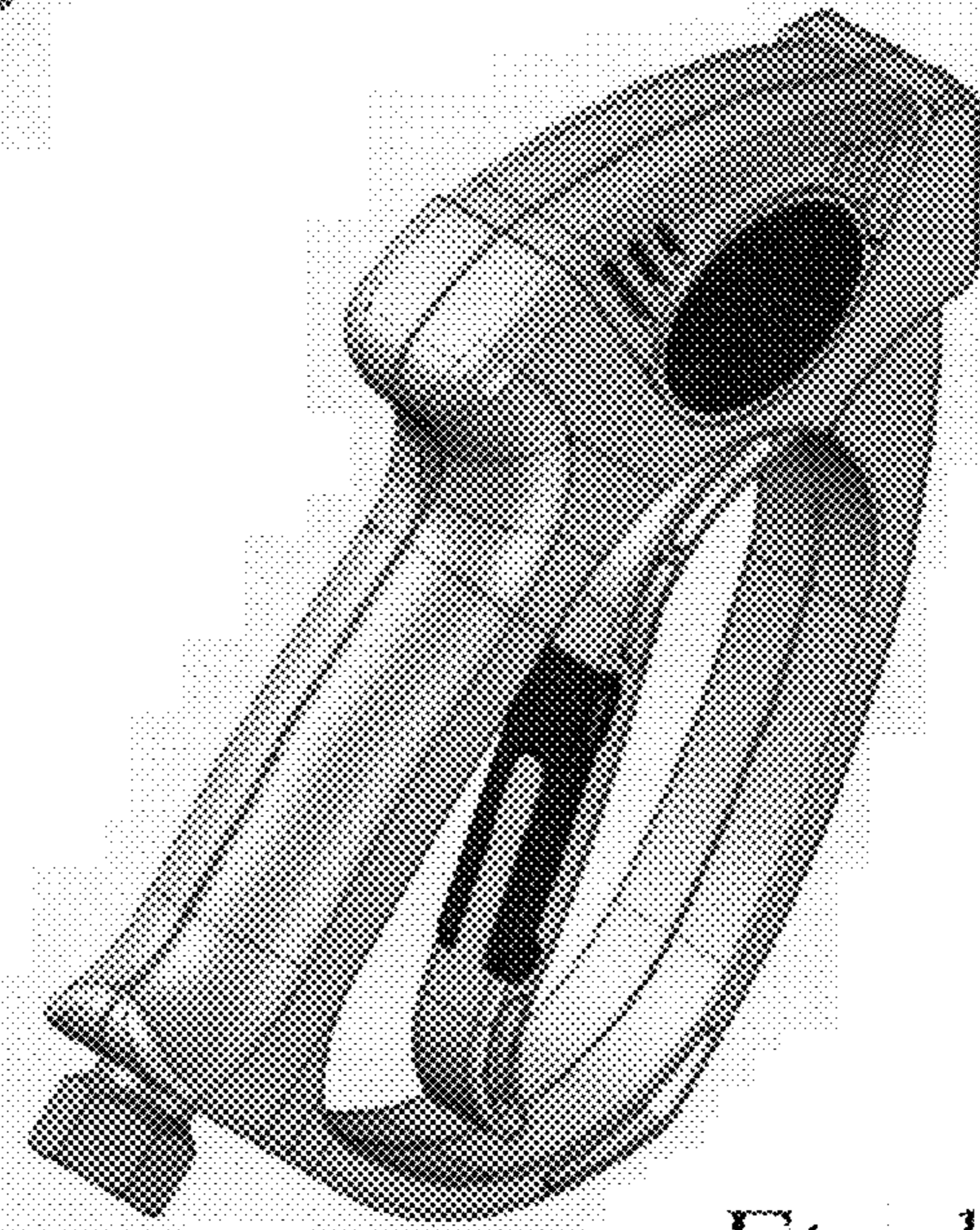


Fig. 10

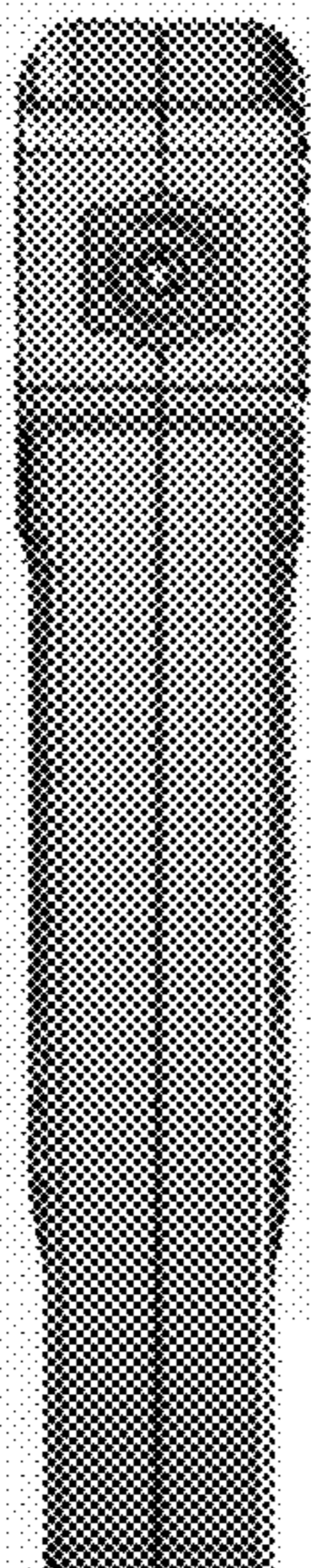


Fig. 11

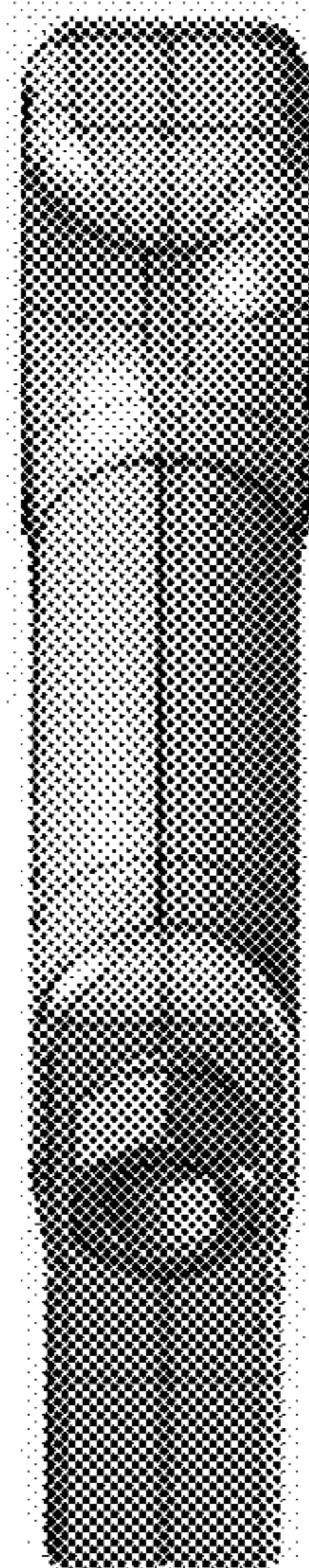


Fig. 12



Fig. 13

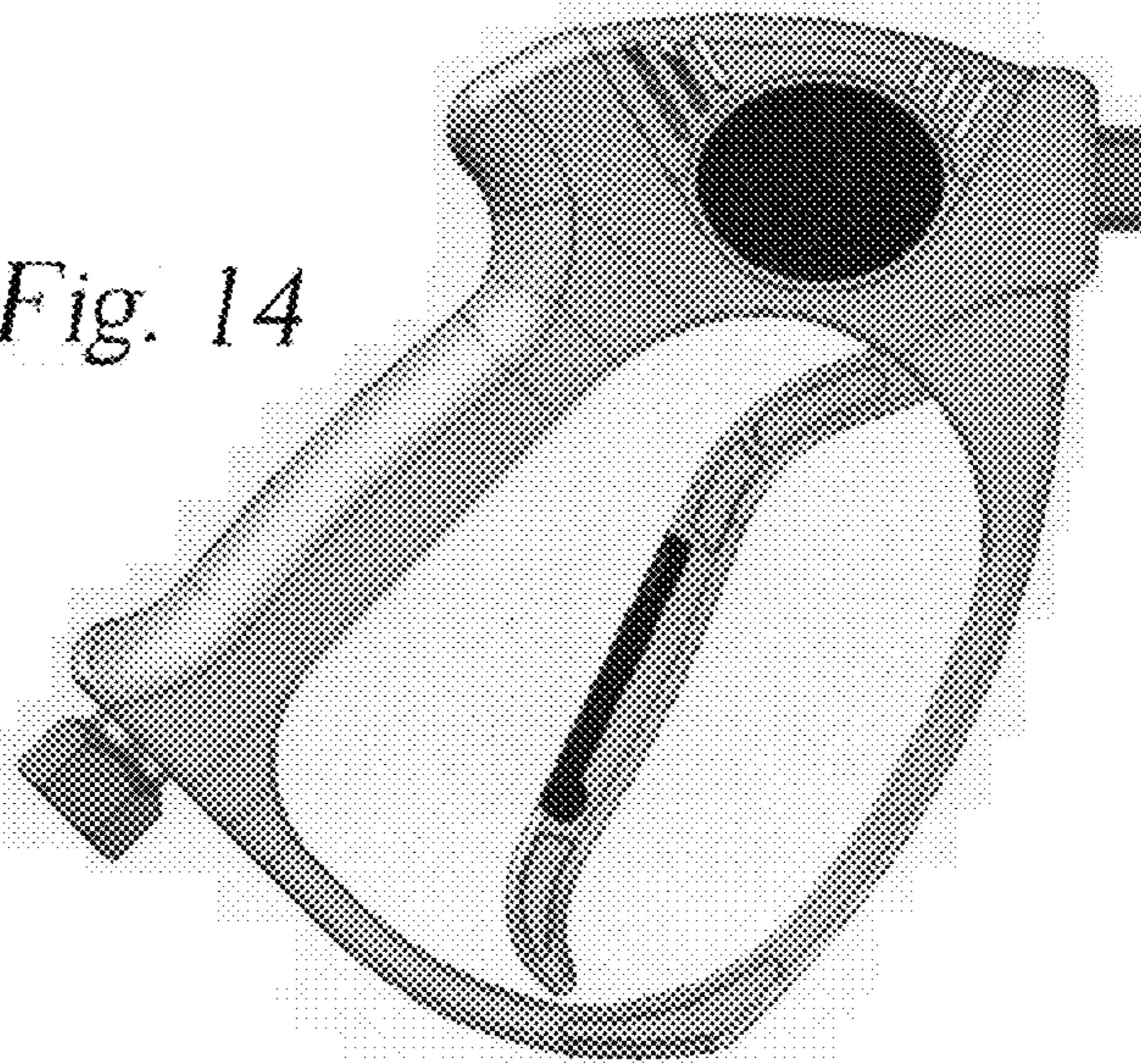


Fig. 14

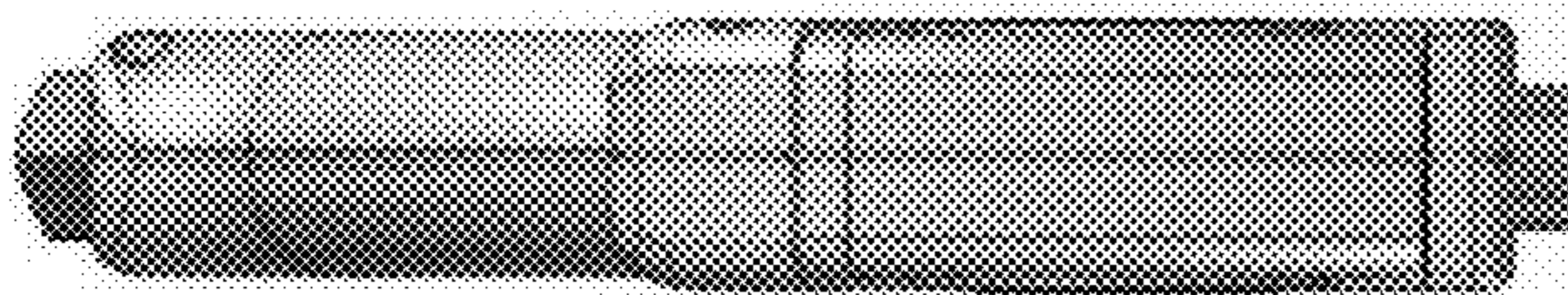


Fig. 15



Fig. 16

UNITED STATES PATENT AND TRADEMARK OFFICE
CERTIFICATE OF CORRECTION

PATENT NO. : Des. 547,422 S
APPLICATION NO. : 29/239057
DATED : July 24, 2007
INVENTOR(S) : Claudio Carpanese

Page 1 of 1

It is certified that error appears in the above-identified patent and that said Letters Patent is hereby corrected as shown below:

Title Page
(73) should read Assignee: Meccanica Veneta S.p.A., Rubano (IT)

Signed and Sealed this

Thirtieth Day of October, 2007

A handwritten signature in black ink on a light gray dotted background. The signature reads "Jon W. Dudas" in a cursive style.

JON W. DUDAS

Director of the United States Patent and Trademark Office