

US00D547421S

(12) **United States Design Patent**
Lobermeier

(10) **Patent No.:** **US D547,421 S**

(45) **Date of Patent:** **** Jul. 24, 2007**

(54) **HAND SHOWER HEAD**

(75) Inventor: **Hans Lobermeier**, Menden (DE)

(73) Assignee: **Grohe AG**, Hemer (DE)

(**) Term: **14 Years**

(21) Appl. No.: **29/257,566**

(22) Filed: **Apr. 6, 2006**

(30) **Foreign Application Priority Data**

Nov. 18, 2005 (EM) 000433438-0001

(51) **LOC (8) Cl.** **23-01**

(52) **U.S. Cl.** **D23/223**

(58) **Field of Classification Search** D23/213,
D23/223; 239/394, 282-3

See application file for complete search history.

(56) **References Cited**

U.S. PATENT DOCUMENTS

D440,630 S * 4/2001 Gottwald D23/223

D503,774 S * 4/2005 Zieger D23/223

D506,243 S * 6/2005 Wu D23/223

D516,671 S * 3/2006 Wu et al. D23/223

D526,384 S * 8/2006 Wu D23/223

D527,442 S * 8/2006 Wu D23/223

D535,354 S * 1/2007 Wu D23/223

* cited by examiner

Primary Examiner—Robin Webster

(74) *Attorney, Agent, or Firm*—Andrew Wilford

(57) **CLAIM**

The ornamental design for a hand shower head, as shown.

DESCRIPTION

FIG. 1 is a perspective view of the shower head according to the invention;

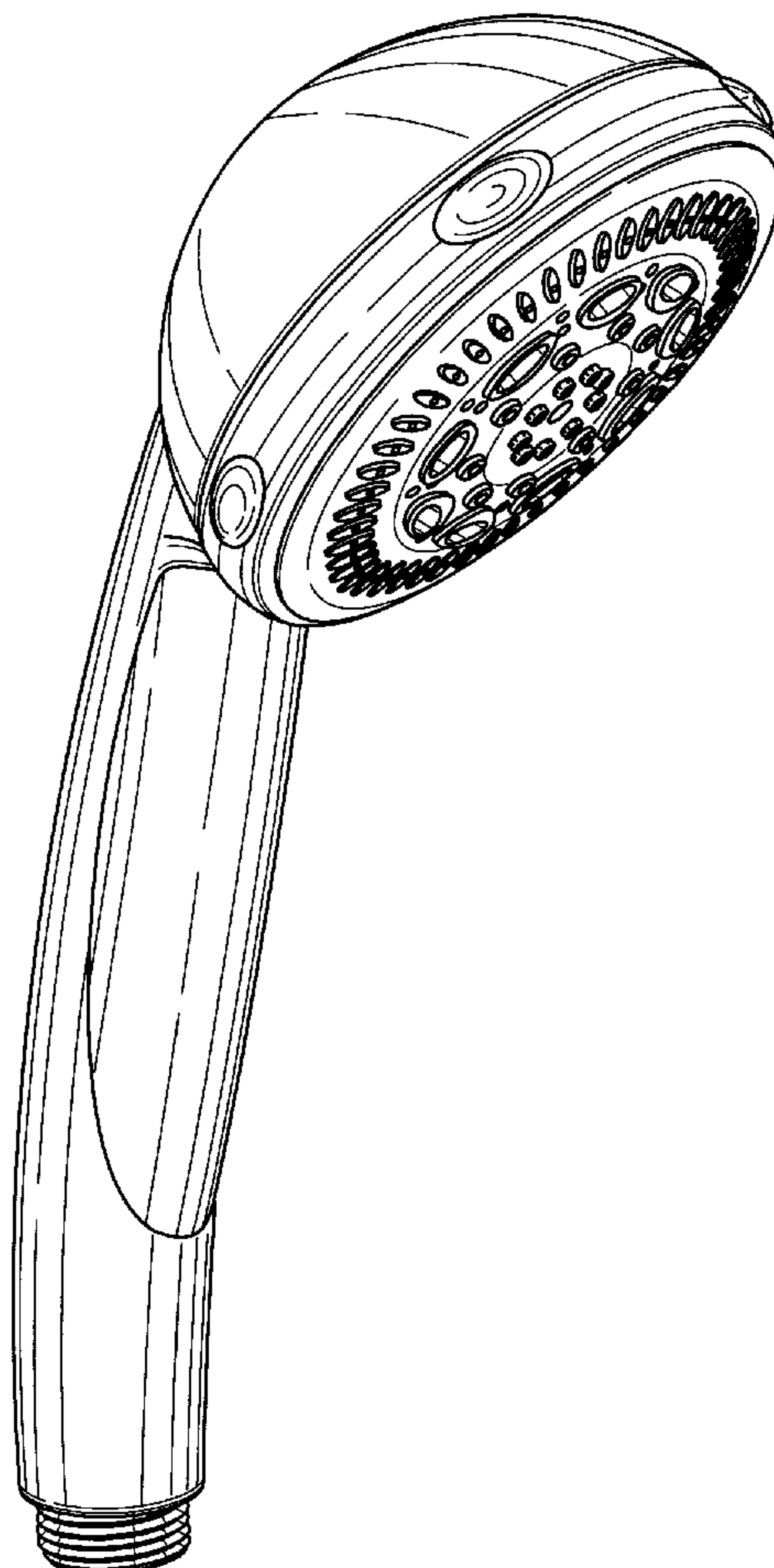
FIG. 2 is a front side view of the shower head;

FIGS. 3 and 4 are right and left side views of the shower head;

FIG. 5 is a back view of the shower head; and,

FIGS. 6 and 7 are bottom and top end views of the shower head.

1 Claim, 6 Drawing Sheets



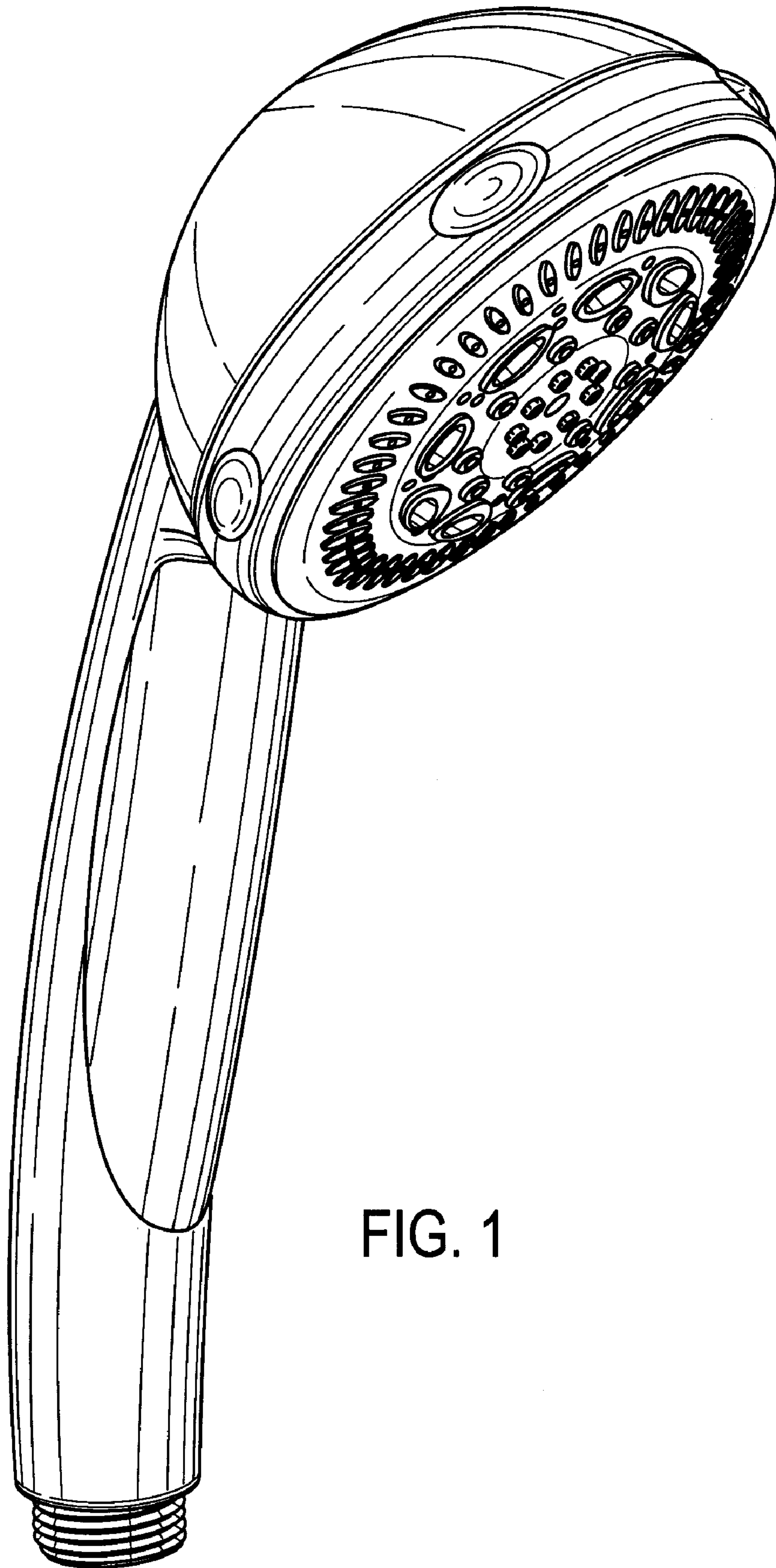


FIG. 1

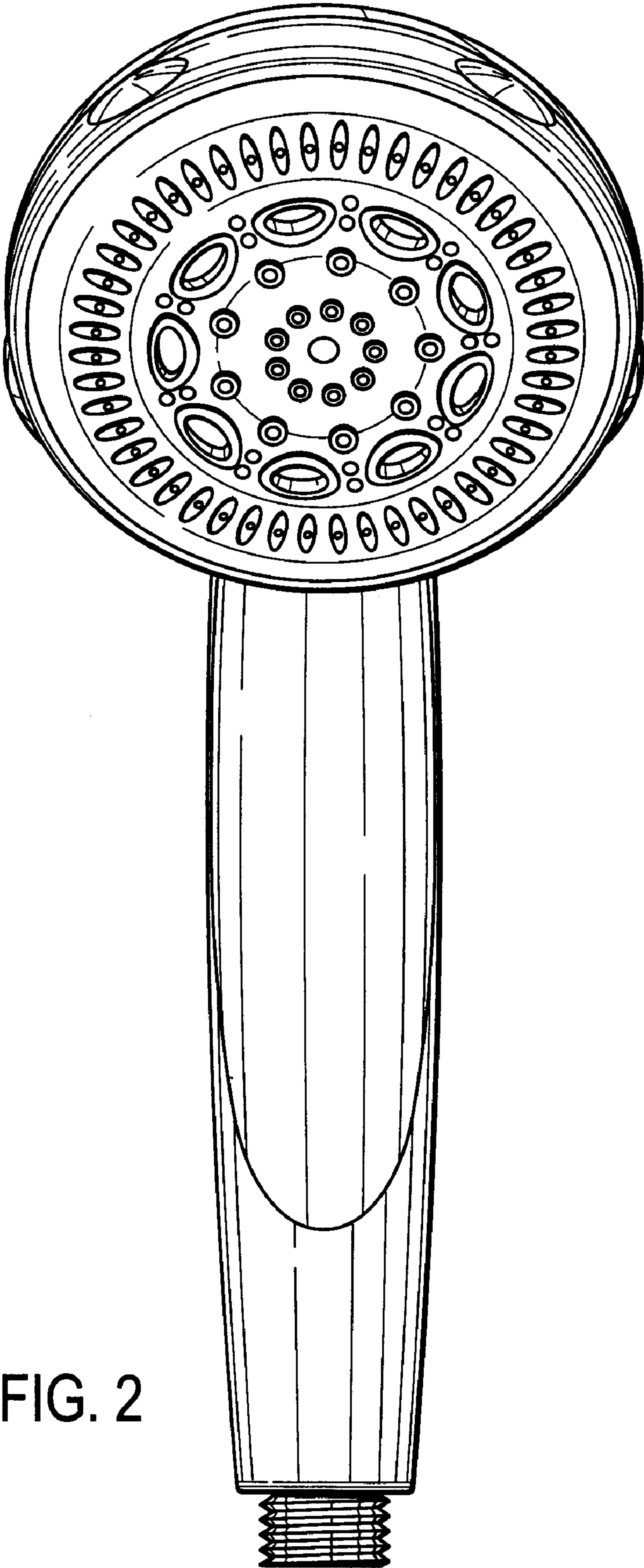


FIG. 2

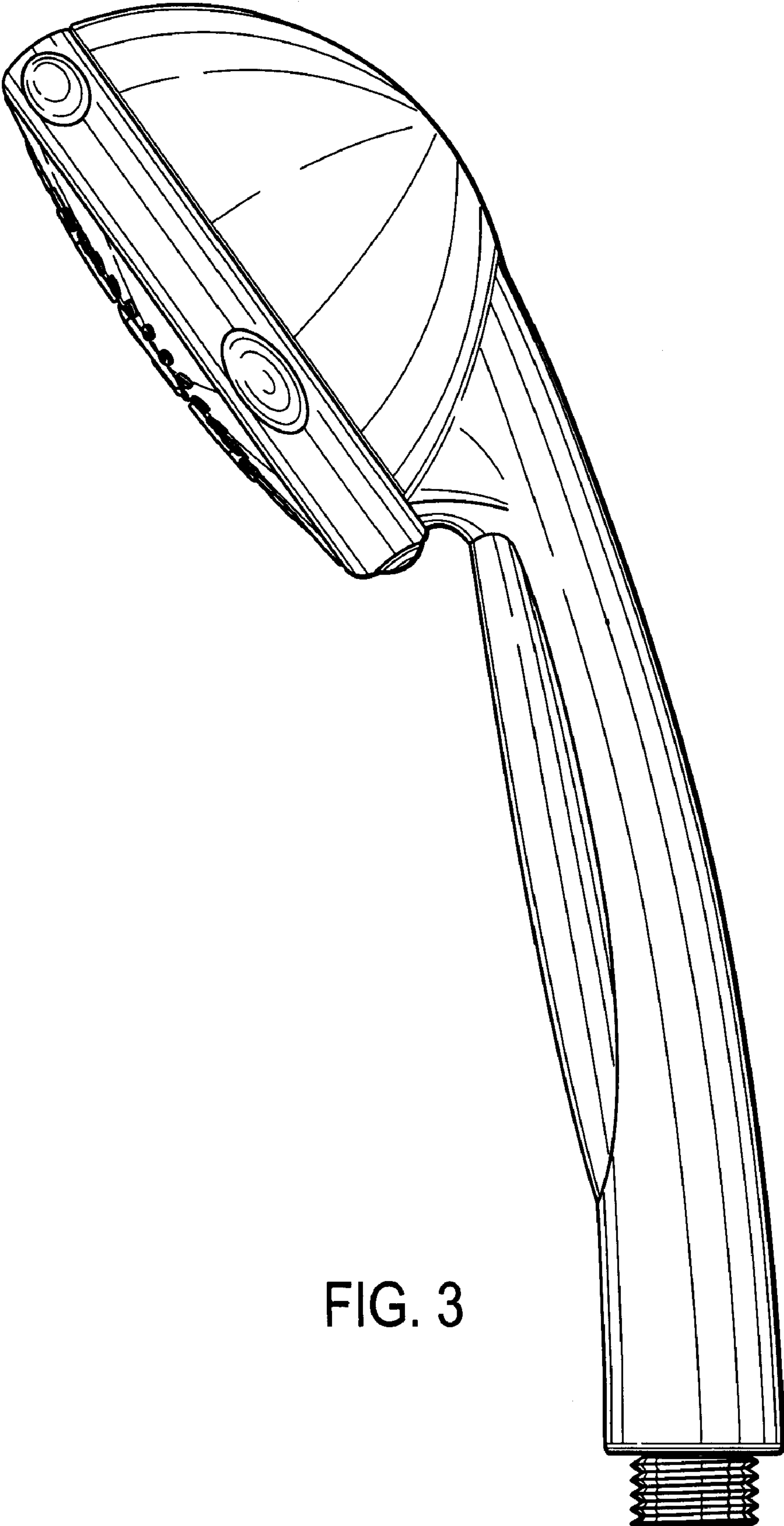


FIG. 3

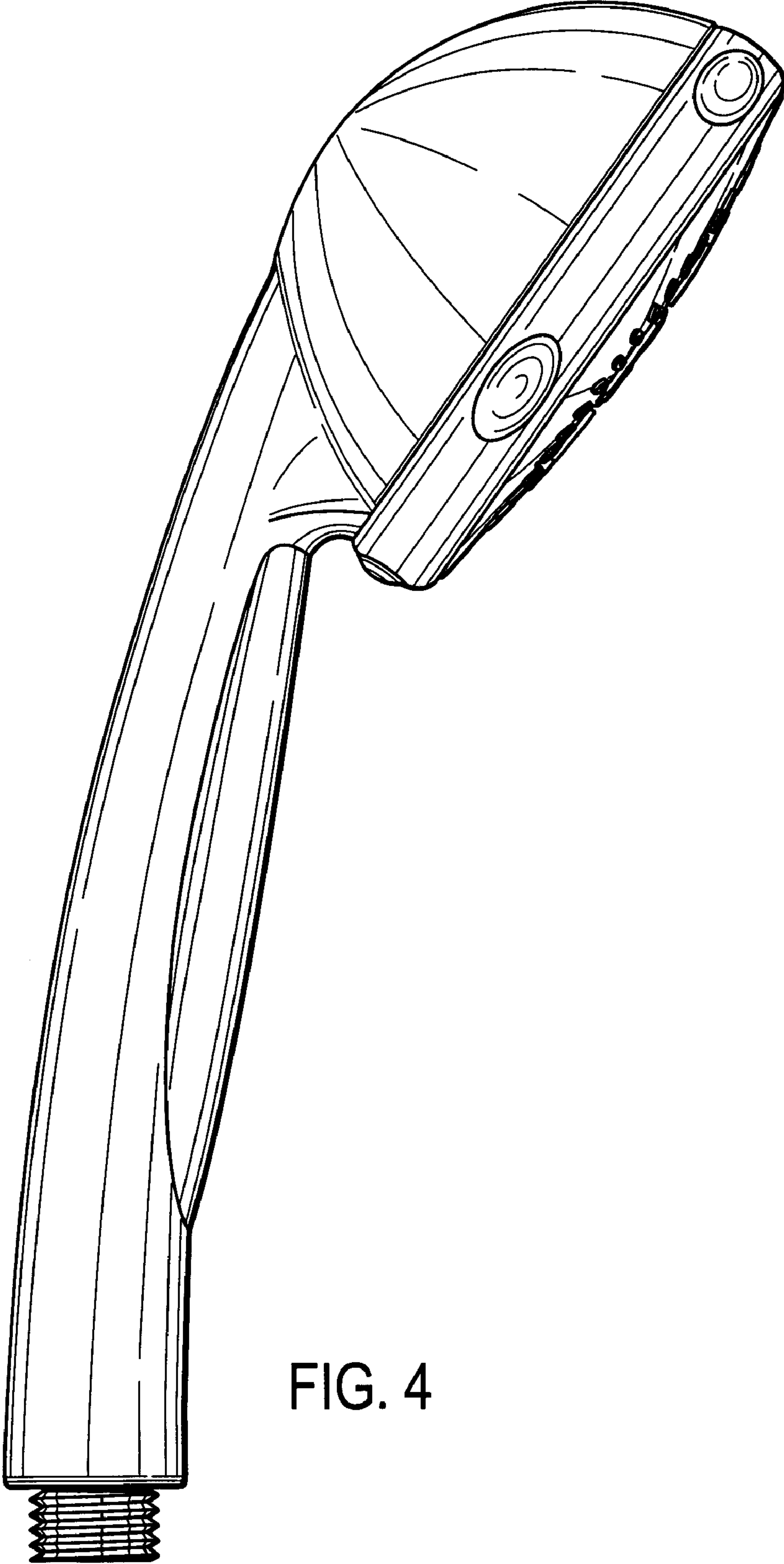


FIG. 4

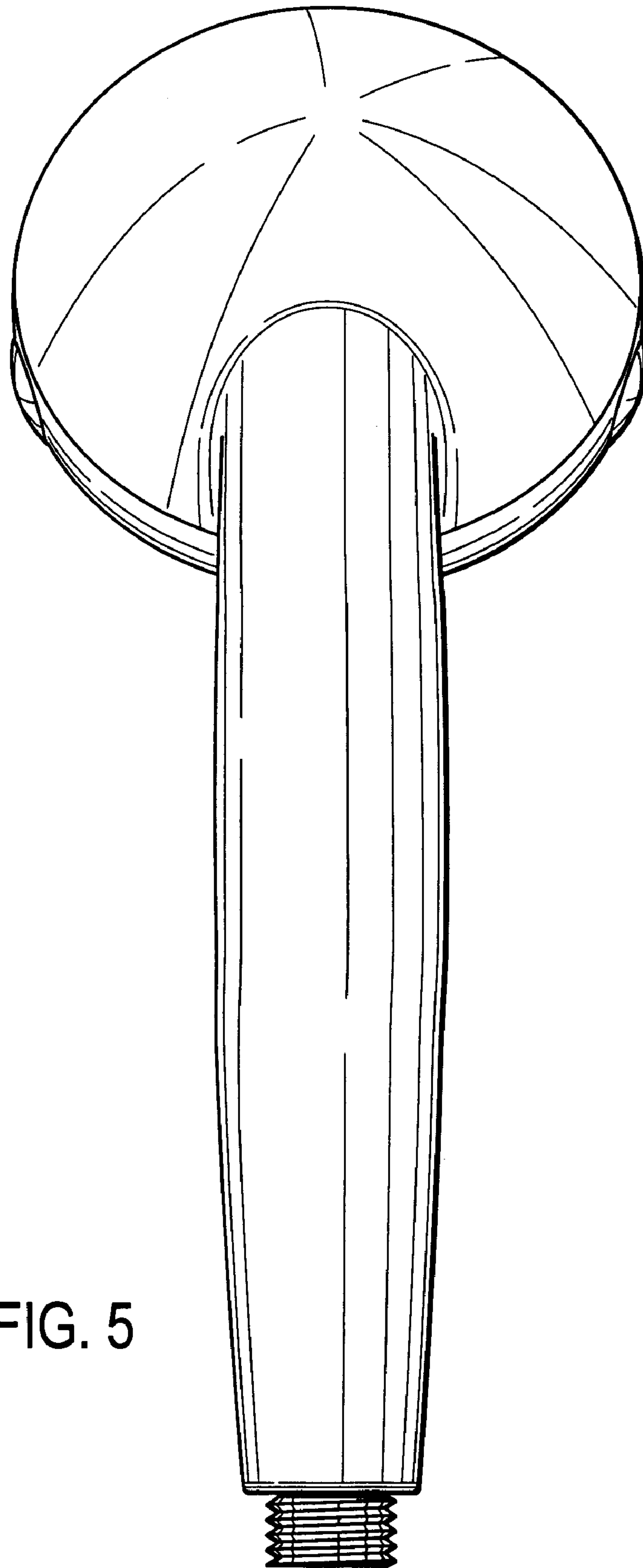


FIG. 5

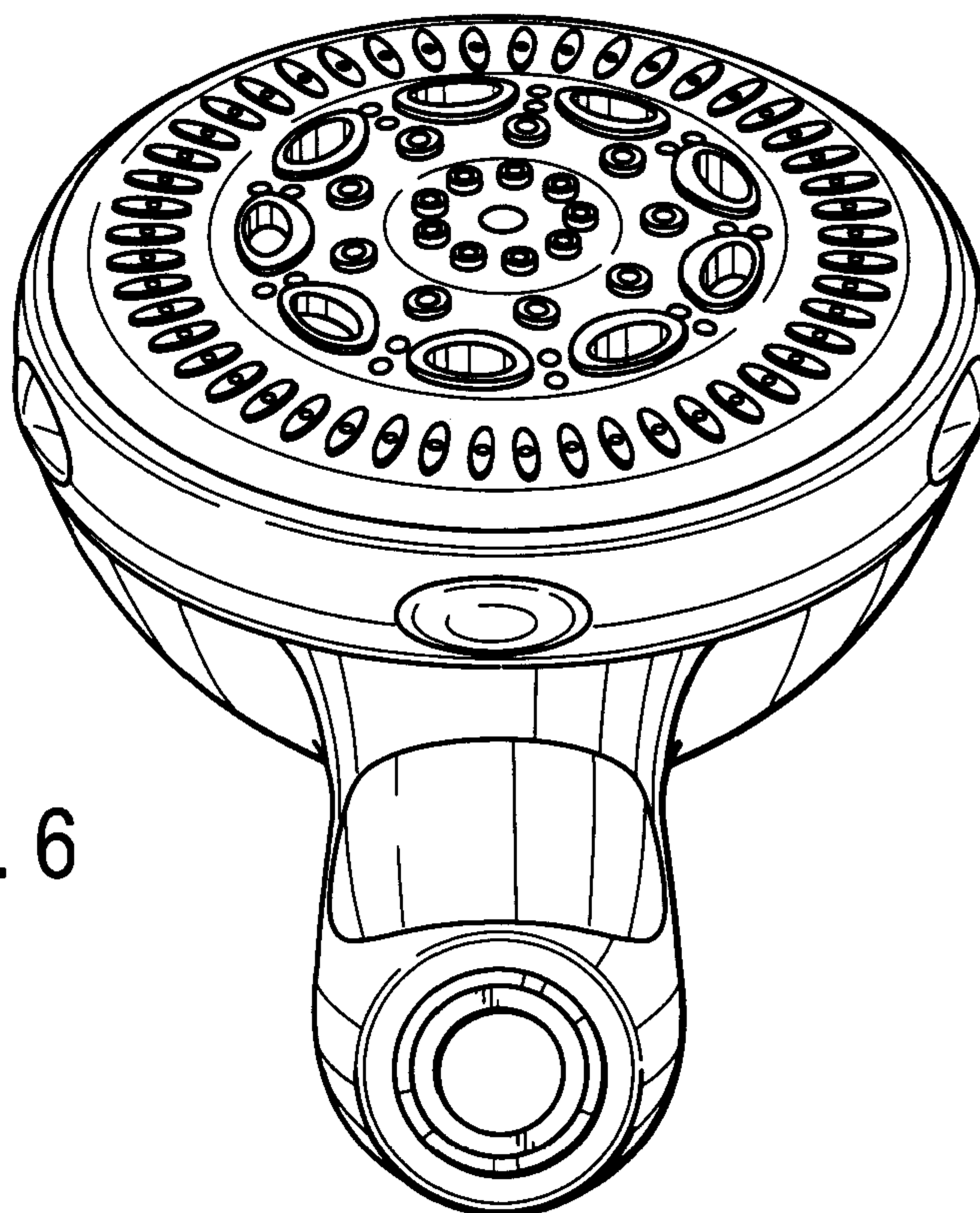


FIG. 6

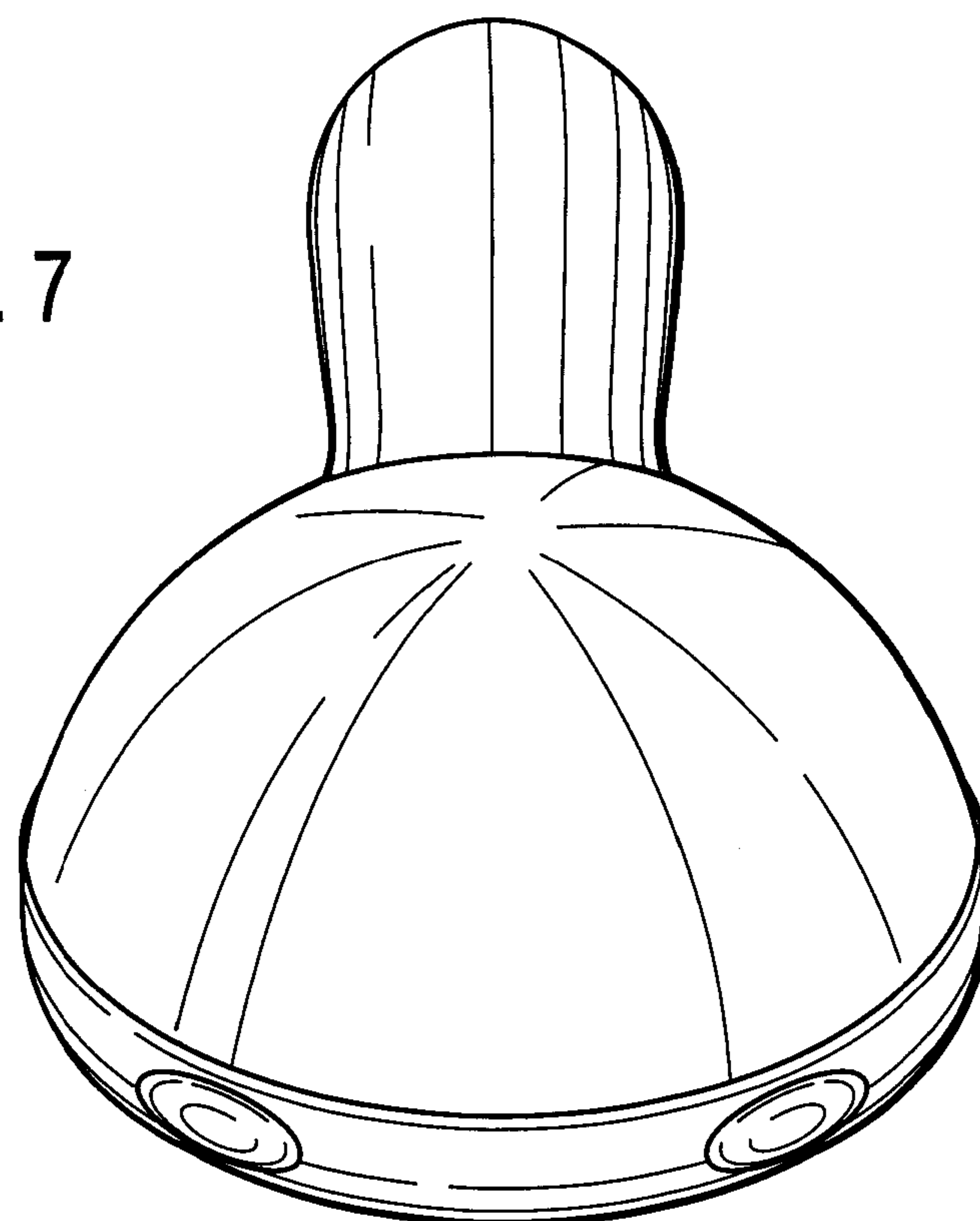


FIG. 7