



US00D547420S

(12) **United States Design Patent**  
**Lobermeier**

(10) **Patent No.:** **US D547,420 S**

(45) **Date of Patent:** **\*\* Jul. 24, 2007**

(54) **HAND SHOWER HEAD**

(75) Inventor: **Hans Lobermeier**, Menden (DE)

(73) Assignee: **Grohe AG**, Hemer (DE)

(\*\*) Term: **14 Years**

(21) Appl. No.: **29/257,555**

(22) Filed: **Apr. 6, 2006**

(30) **Foreign Application Priority Data**

Nov. 18, 2005 (EM) ..... 000433438-0002

(51) **LOC (8) Cl.** ..... **23-01**

(52) **U.S. Cl.** ..... **D23/223**

(58) **Field of Classification Search** ..... D23/213,  
D23/223; 239/394, 282-3

See application file for complete search history.

(56) **References Cited**

**U.S. PATENT DOCUMENTS**

D440,630 S \* 4/2001 Gottwald ..... D23/223

D503,774 S \* 4/2005 Zieger ..... D23/223

D506,243 S \* 6/2005 Wu ..... D23/223

D516,671 S \* 3/2006 Wu et al. .... D23/223

D526,384 S \* 8/2006 Wu ..... D23/223

D527,442 S \* 8/2006 Wu ..... D23/223

D535,354 S \* 1/2007 Wu ..... D23/223

\* cited by examiner

*Primary Examiner*—Robin Webster

(74) *Attorney, Agent, or Firm*—Andrew Wilford

(57) **CLAIM**

The ornamental design for a hand shower head, as shown.

**DESCRIPTION**

FIG. 1 is a perspective view of the shower head according to the invention;

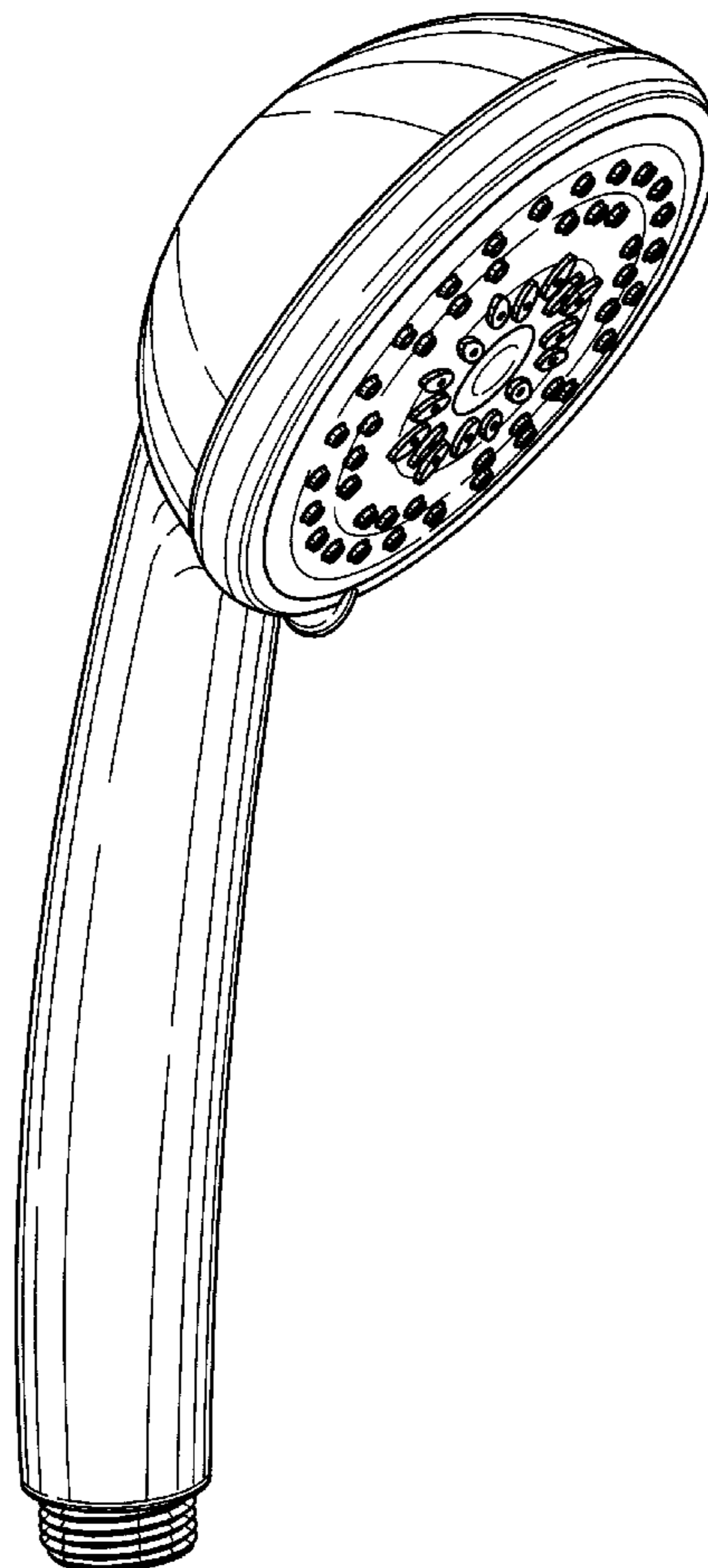
FIG. 2 is a front side view of the shower head;

FIGS. 3 and 4 are right and left side views of the shower head;

FIG. 5 is a back view of the shower head; and,

FIGS. 6 and 7 are bottom and top end views of the shower head.

**1 Claim, 6 Drawing Sheets**



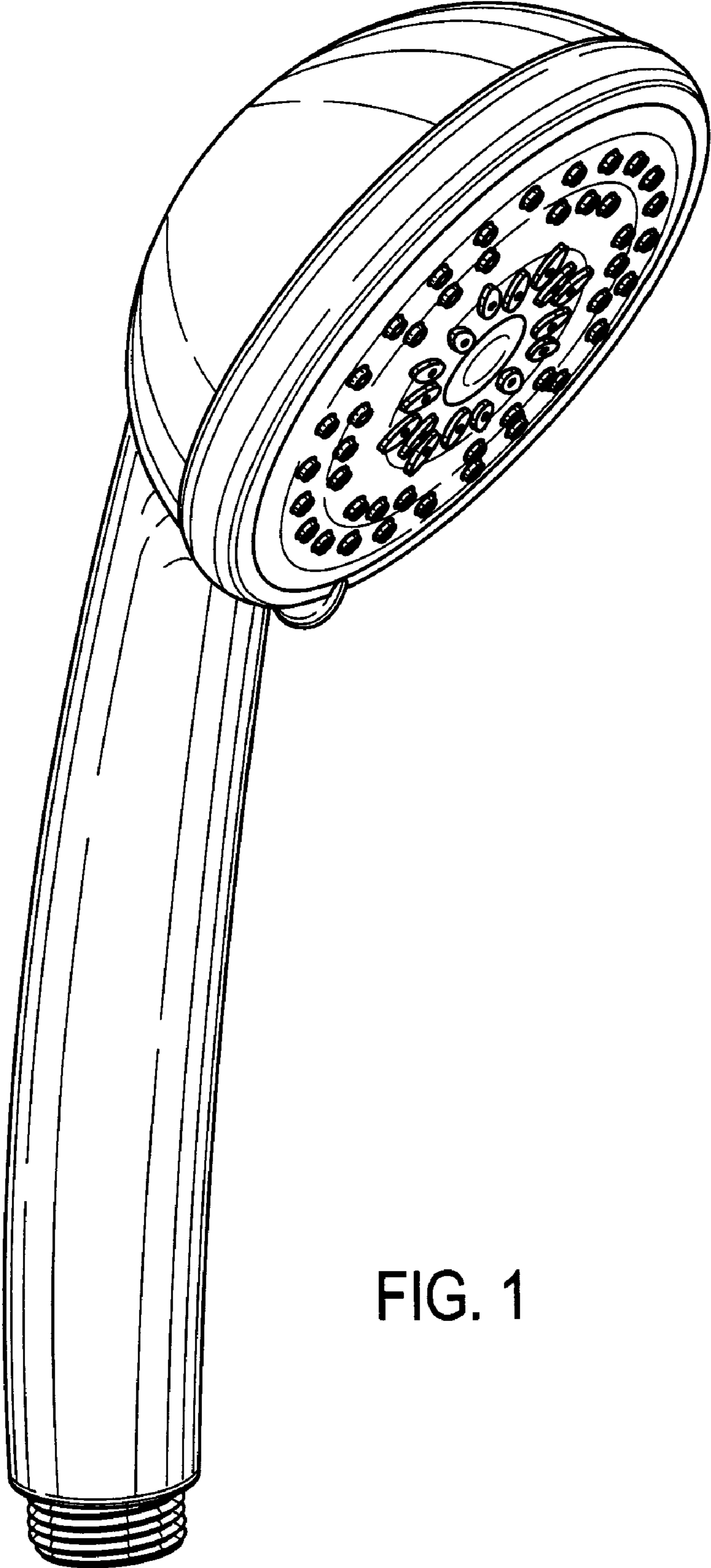


FIG. 1

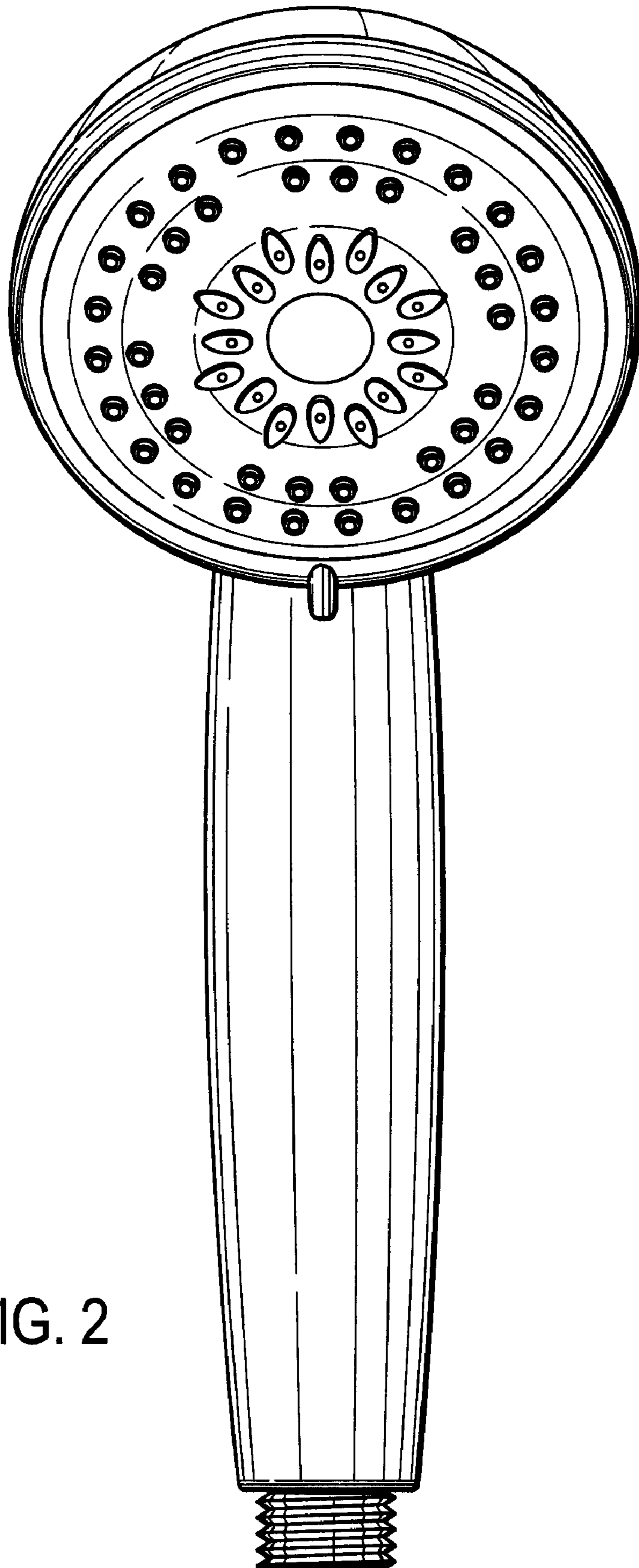


FIG. 2

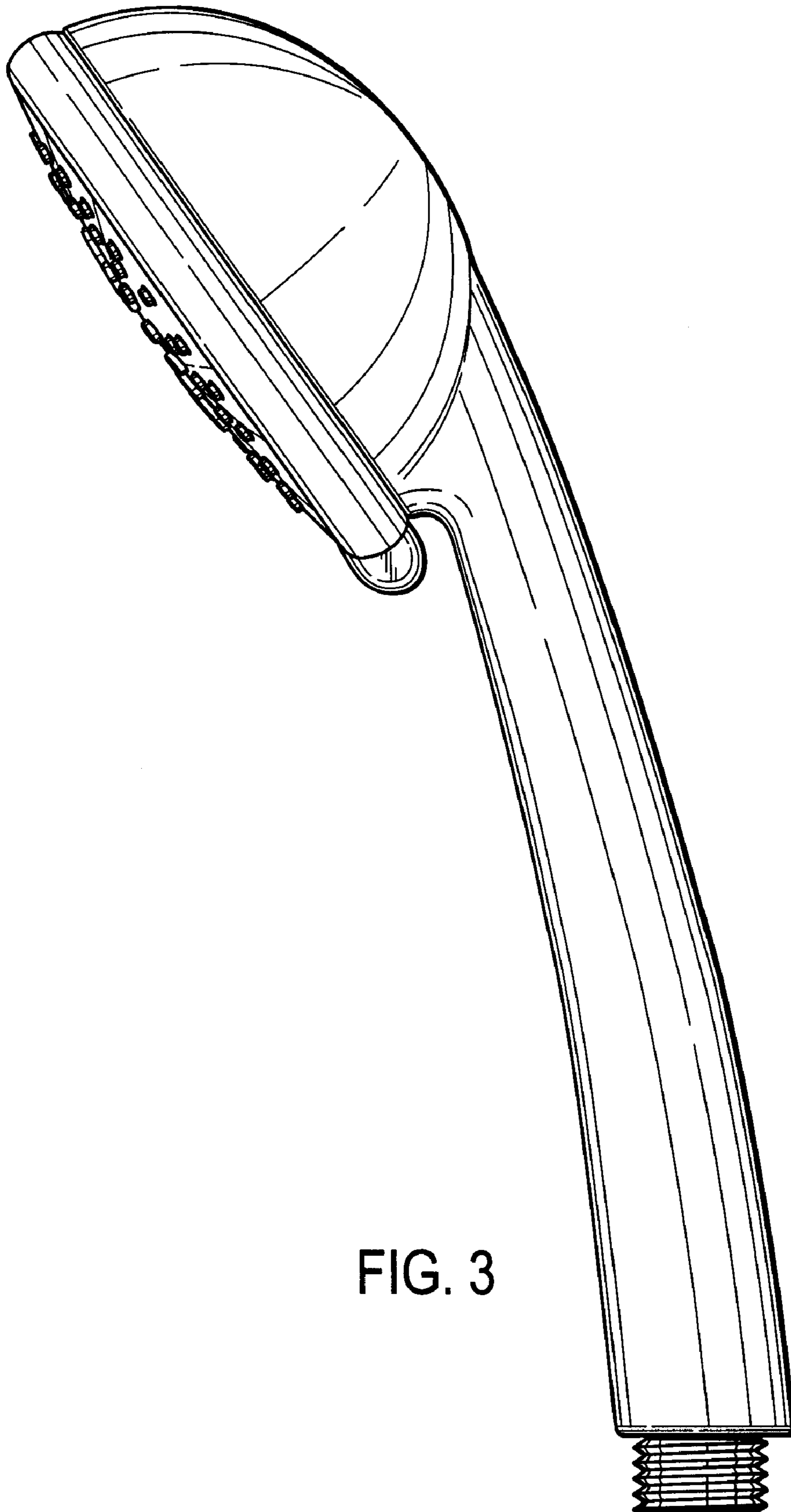


FIG. 3

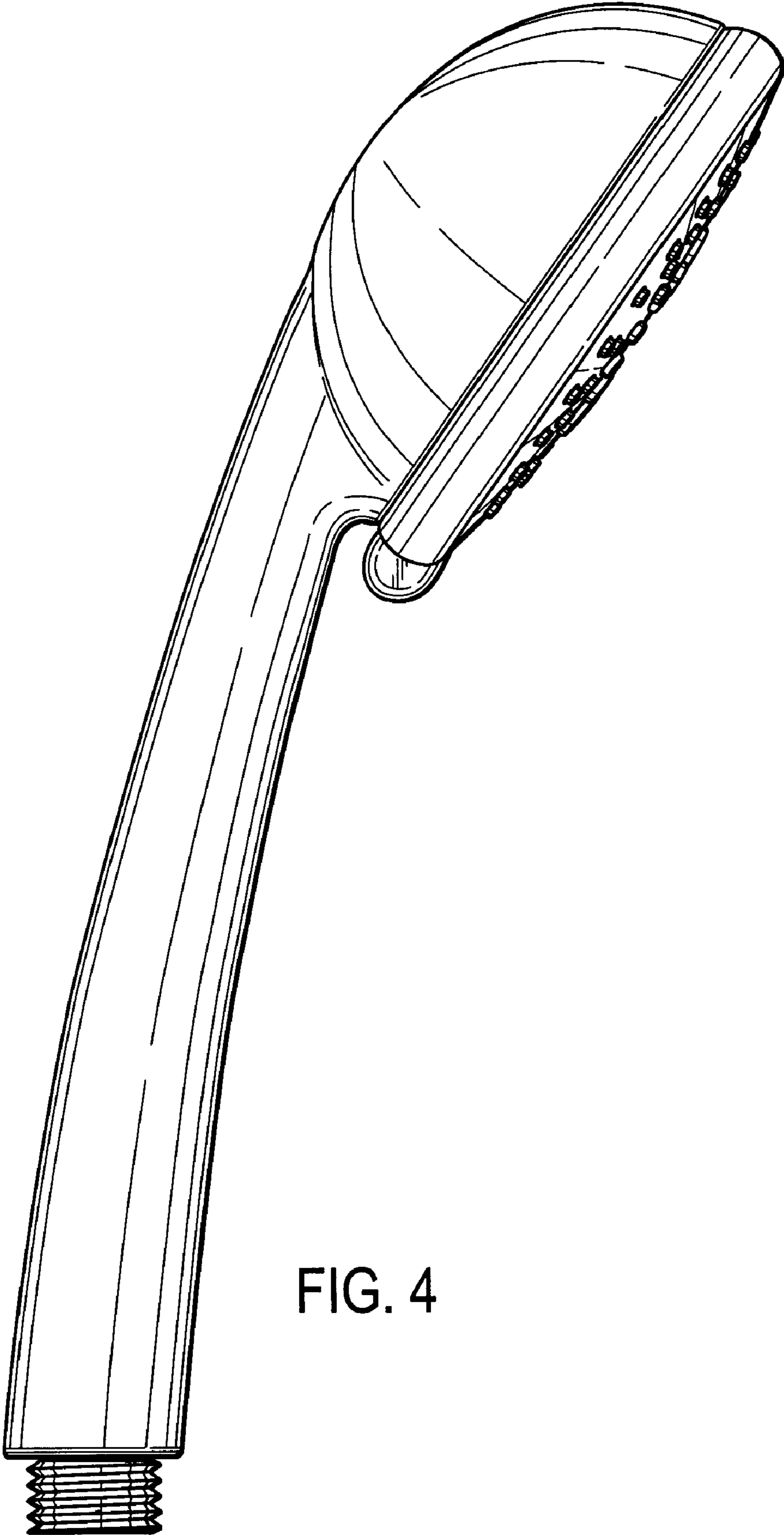


FIG. 4

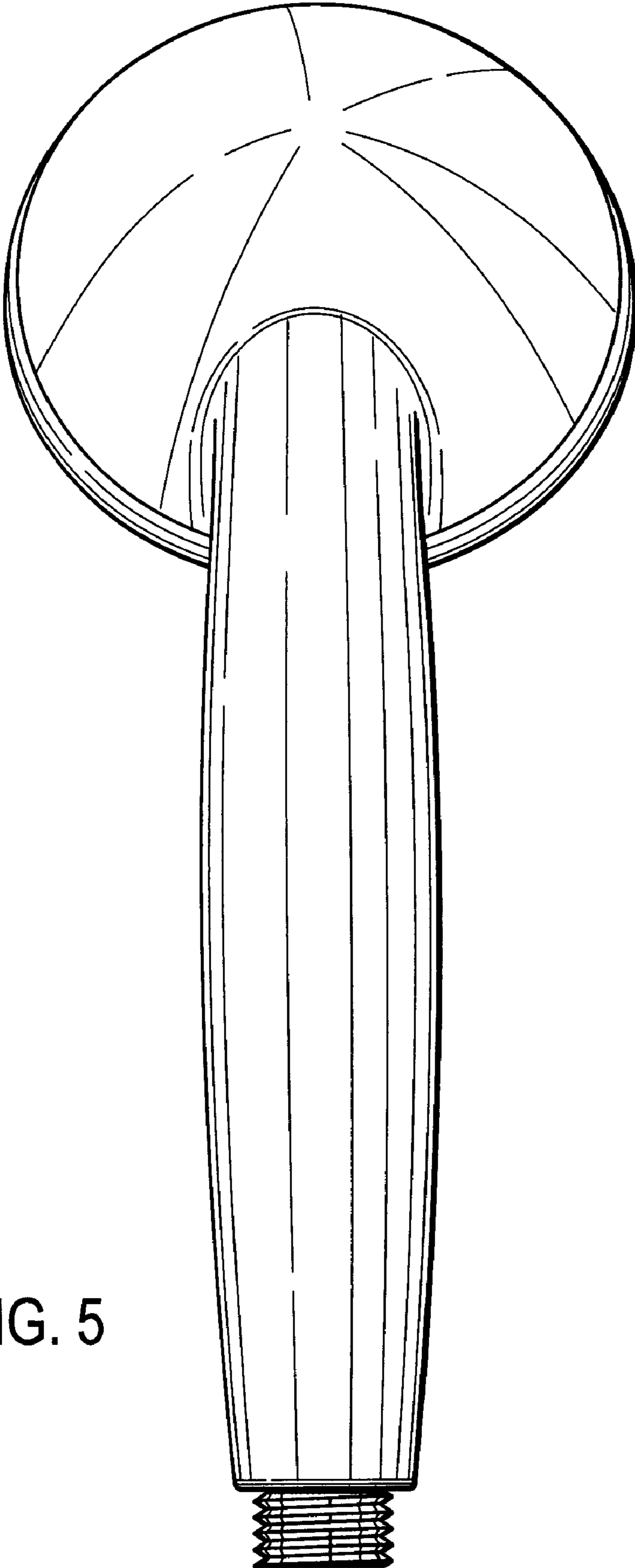


FIG. 5

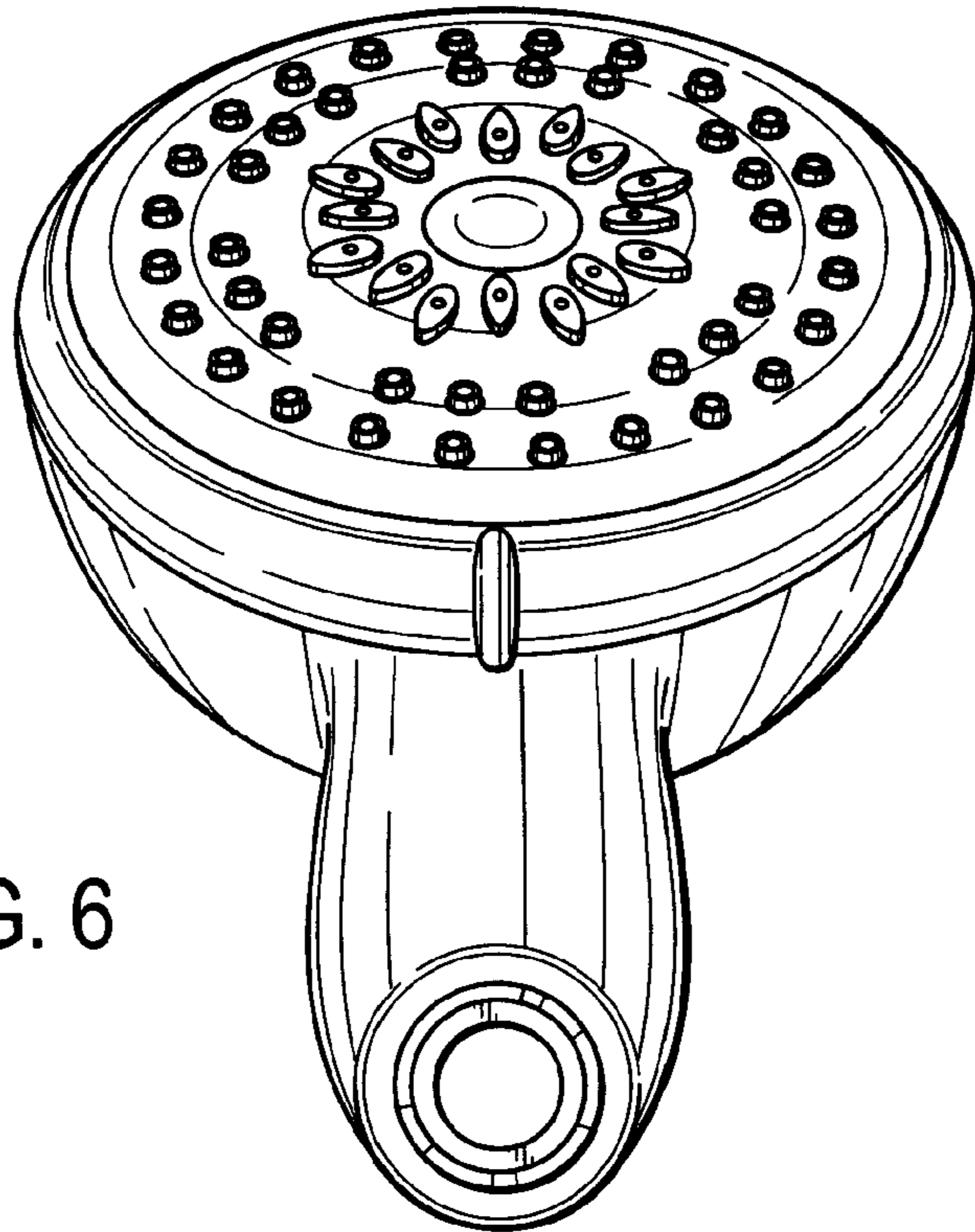


FIG. 6

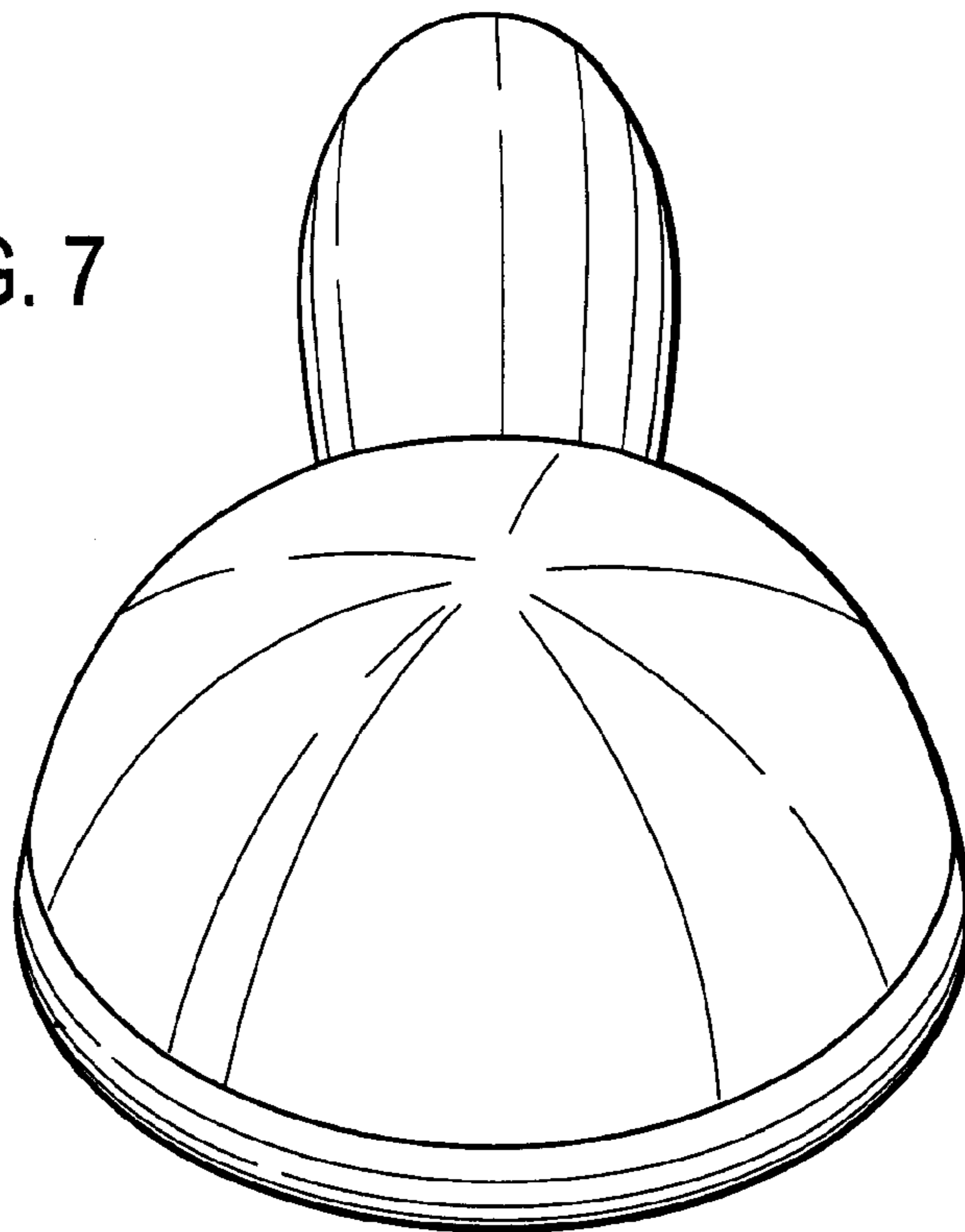


FIG. 7