



US00D547417S

(12) **United States Design Patent** (10) **Patent No.:** **US D547,417 S**
Duplessis et al. (45) **Date of Patent:** **** Jul. 24, 2007**

(54) **WATER TREATMENT ASSEMBLY**

(75) Inventors: **Samuel V. Duplessis**, Louisville, KY (US); **Kyran Hoff**, Louisville, KY (US); **Jonathan D. Nelson**, Louisville, KY (US); **Daniel Ryan Capelle**, Corydon, IN (US); **Marc Hottenroth**, Louisville, KY (US); **Norman J. Boulard**, Louisville, KY (US)

(73) Assignee: **General Electric Company**, Schenectady, NY (US)

(**) Term: **14 Years**

(21) Appl. No.: **29/243,786**

(22) Filed: **Nov. 30, 2005**

(51) **LOC (8) Cl.** **23-01**

(52) **U.S. Cl.** **D23/207**

(58) **Field of Classification Search** D23/207-209;
210/85, 241, 340

See application file for complete search history.

(56) **References Cited**

U.S. PATENT DOCUMENTS

4,836,921	A	*	6/1989	Hahn et al.	210/202
5,484,529	A		1/1996	Malugade et al.		
5,597,601	A	*	1/1997	Griffin	426/417
D388,500	S		12/1997	Burchard et al.		
5,699,832	A		12/1997	Burchard et al.		
5,707,518	A		1/1998	Coates et al.		
5,715,699	A		2/1998	Coates et al.		
5,744,033	A		4/1998	Bertrand et al.		

5,823,229	A		10/1998	Bertrand et al.		
5,891,334	A		4/1999	Gundrum et al.		
D520,595	S	*	5/2006	Johnson et al.	D23/207
D521,593	S	*	5/2006	Mitsis	D23/207
7,077,965	B2	*	7/2006	Williamson et al.	210/748

* cited by examiner

Primary Examiner—Robin Webster

(74) *Attorney, Agent, or Firm*—George L. Rideout, Esq.;
Armstrong Teasdale LLP

(57) **CLAIM**

I claim the ornamental design for a water treatment assembly, as shown and described.

DESCRIPTION

FIG. 1 is a front perspective view of a water treatment assembly in accordance with an exemplary embodiment with access doors in a closed position.

FIG. 2 is a top view of the water treatment assembly shown in FIG. 1.

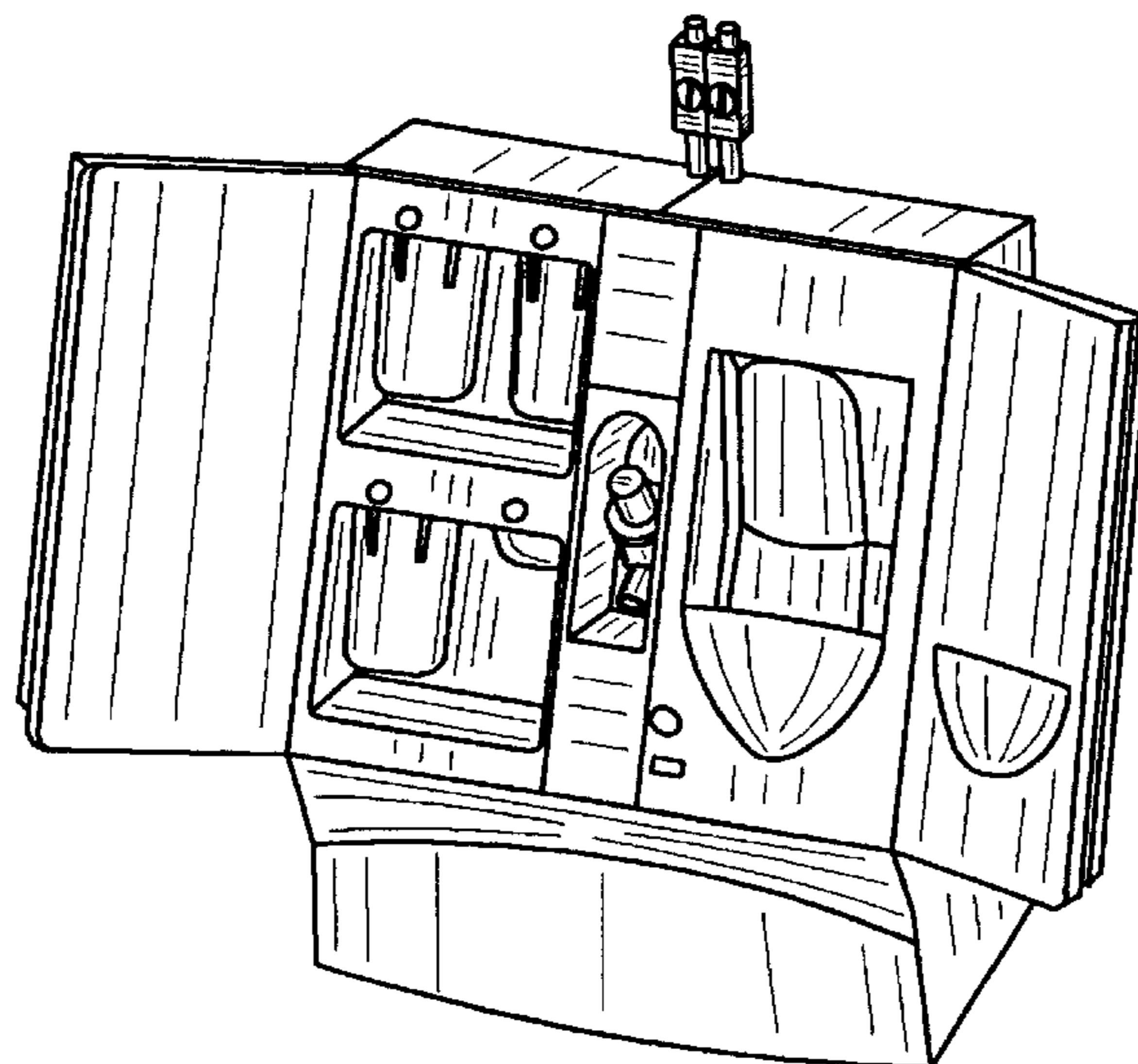
FIG. 3 is a front view of the water treatment assembly shown in FIG. 1.

FIG. 4 is a front perspective view of the water treatment assembly shown in FIG. 1, with the access doors in an open position.

FIG. 5 is a front view of the water treatment assembly shown in FIG. 4; and,

FIG. 6 is a front perspective view of the water treatment assembly shown in FIG. 4 with an access panel removed for accessing a water treatment component of the water treatment assembly.

1 Claim, 3 Drawing Sheets



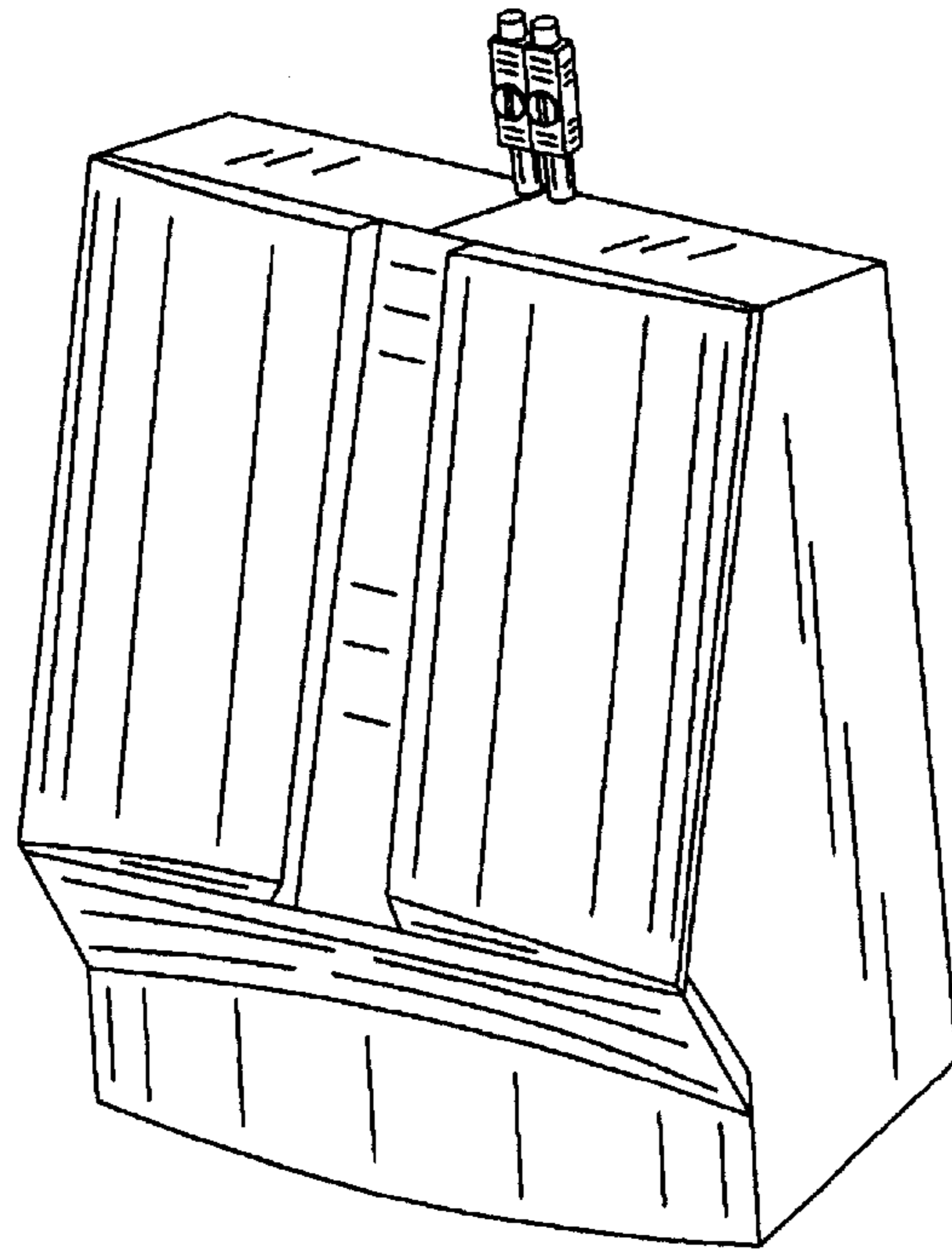


FIG. 1

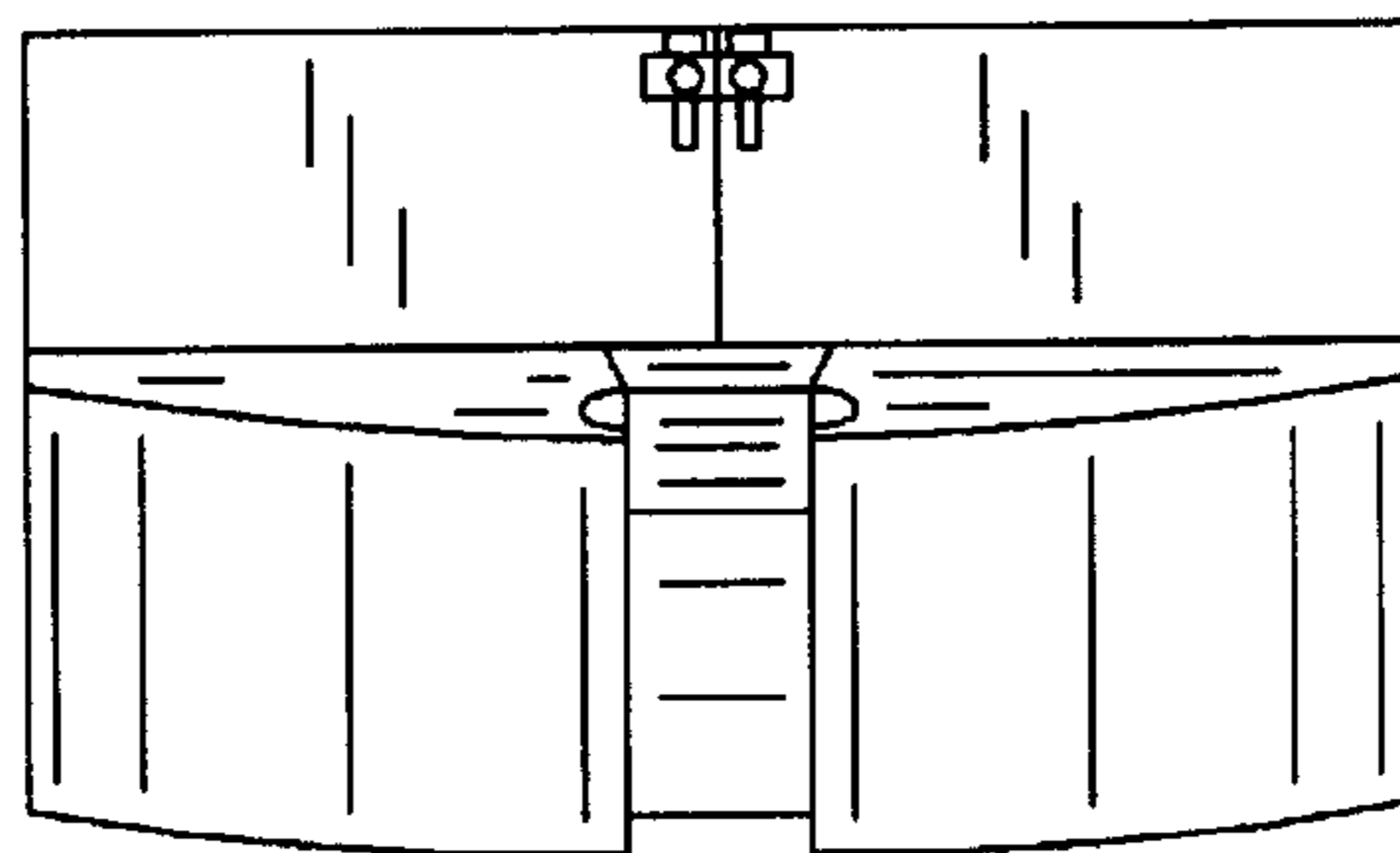


FIG. 2

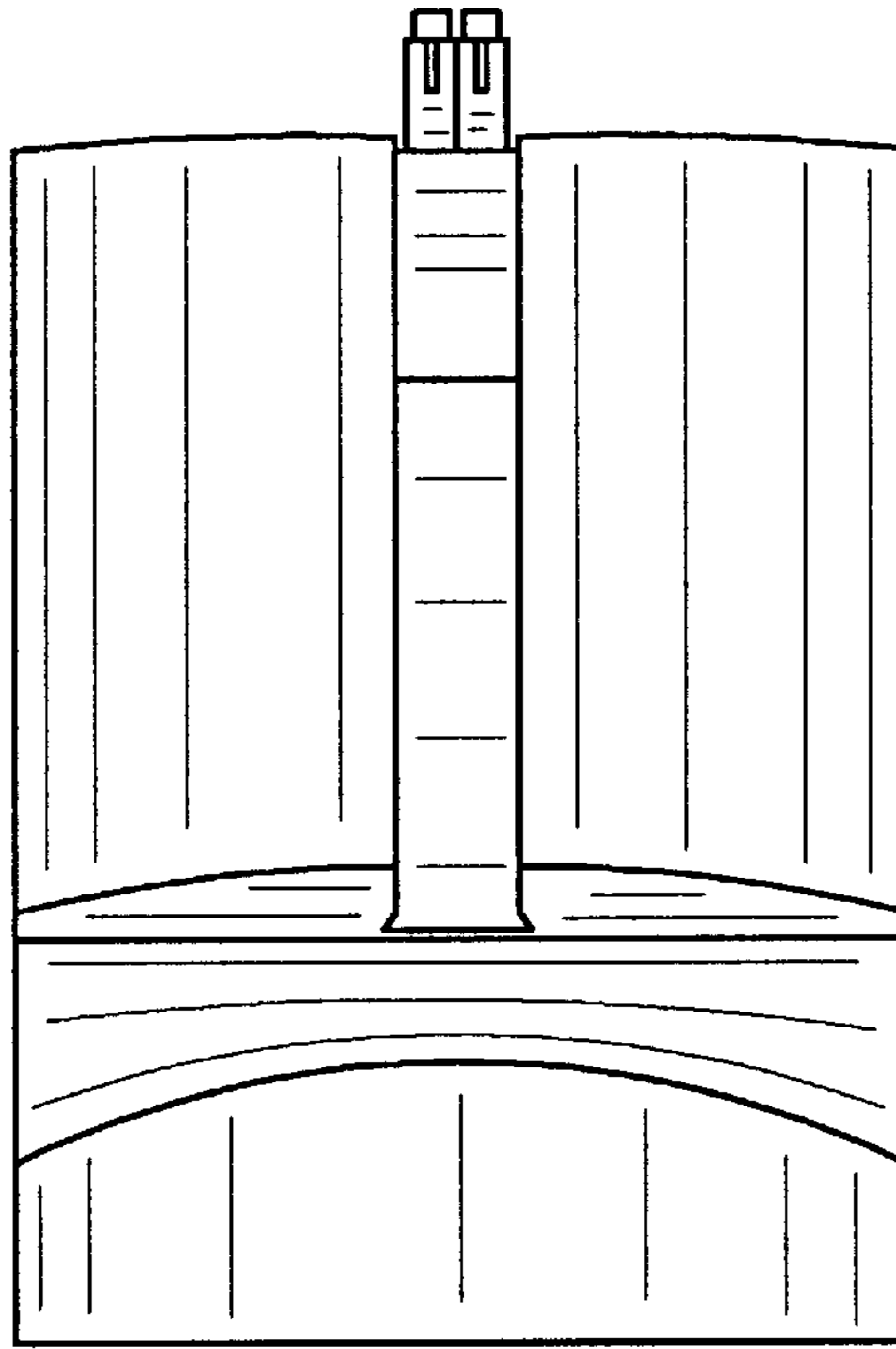


FIG. 3

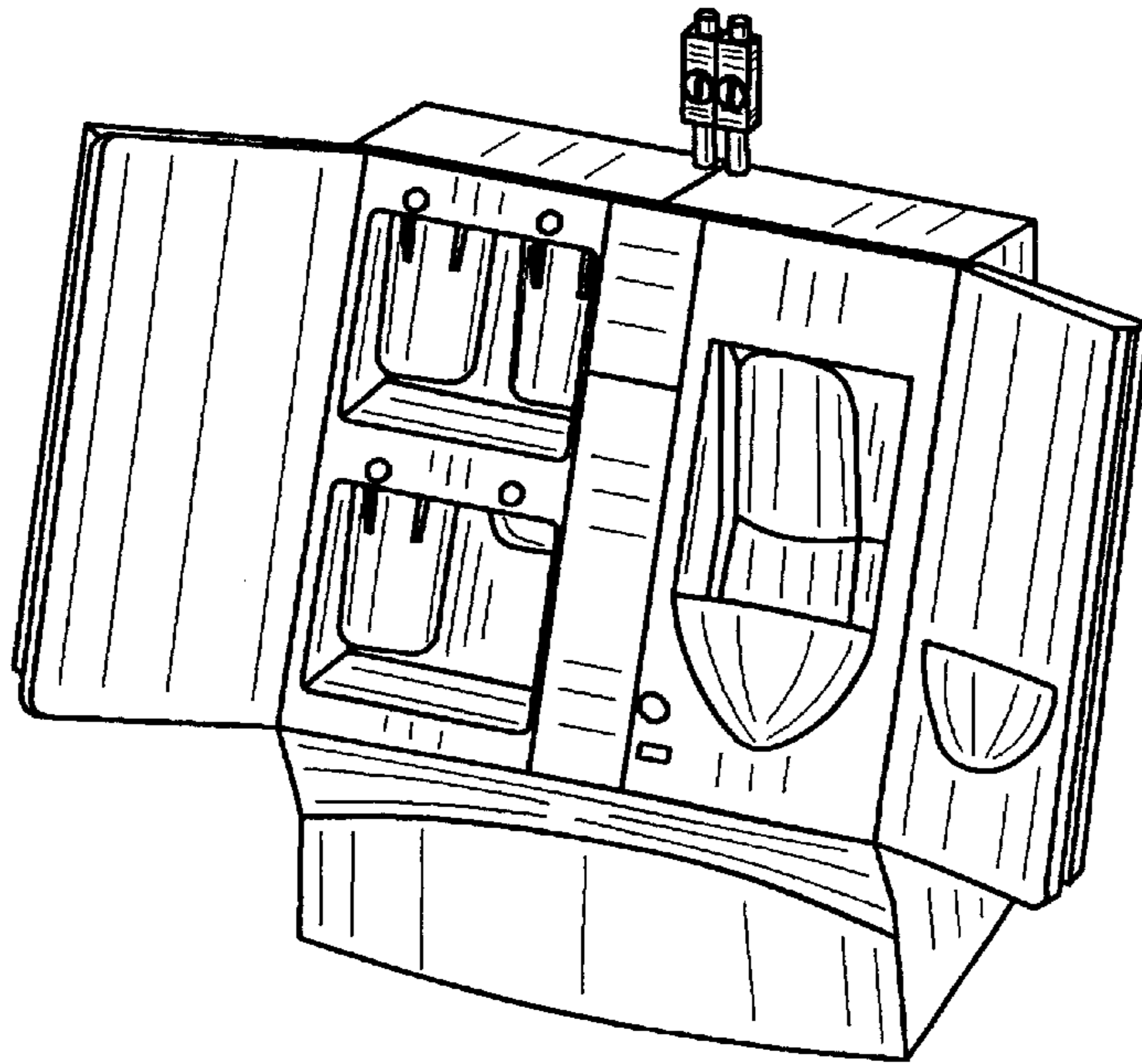


FIG. 4

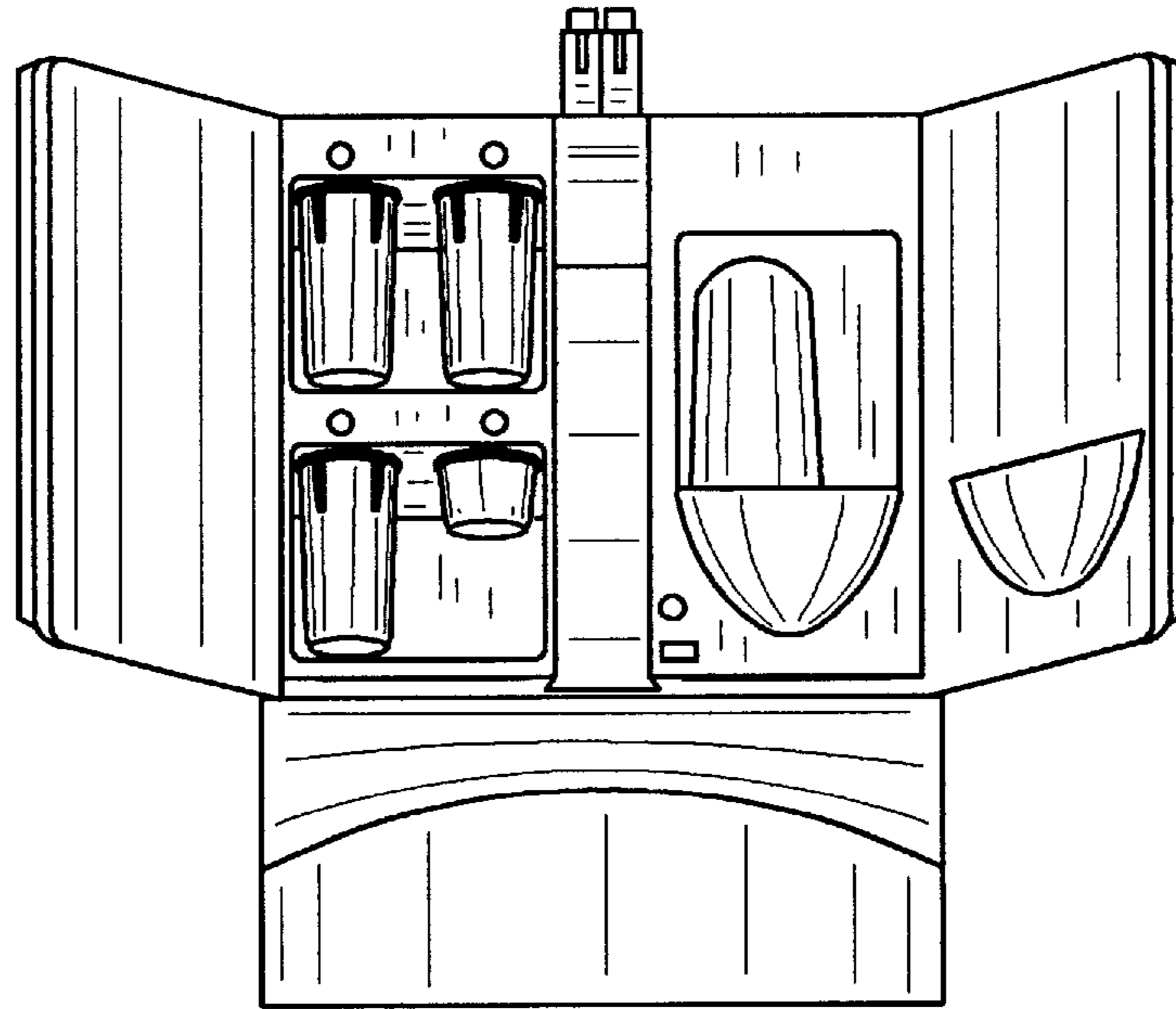


FIG. 5

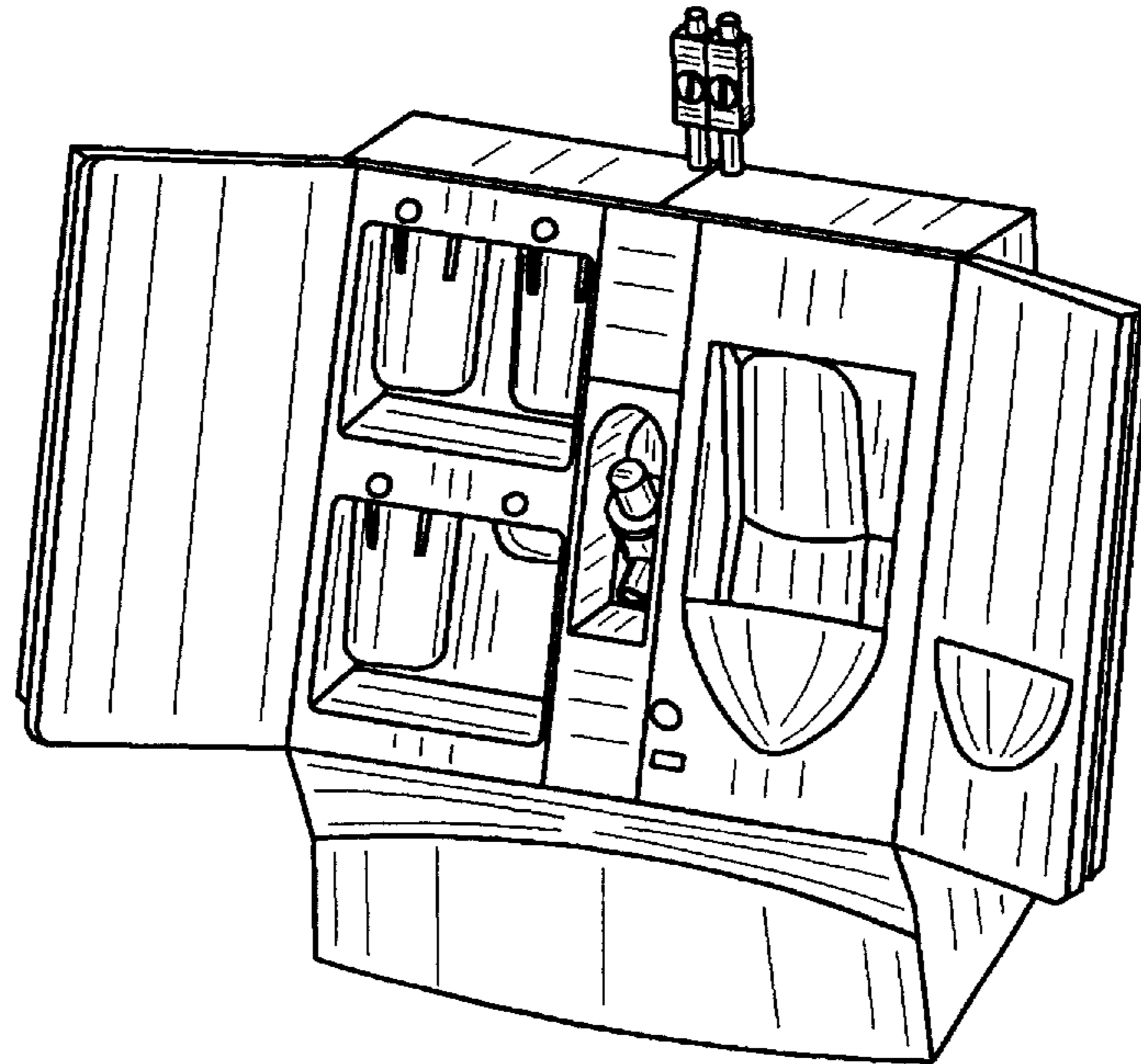


FIG. 6