



US00D547412S

(12) **United States Design Patent**
Chen

(10) **Patent No.:** **US D547,412 S**

(45) **Date of Patent:** **** Jul. 24, 2007**

(54) **SOLAR POWERED INSECT
EXTERMINATOR**

D292,306 S * 10/1987 Rottenberg D22/123
D293,014 S * 12/1987 Davis D22/123
D524,902 S * 7/2006 Masters et al. D22/122

(76) Inventor: **Chi Gon Chen**, c/o International
Development Corporation, 2890 Market
Loop, Southlake, TX (US) 76092

* cited by examiner

Primary Examiner—Catherine R. Oliver

(**) Term: **14 Years**

(57) **CLAIM**

(21) Appl. No.: **29/256,646**

The ornamental design for a solar powered insect exterminator, as shown and described.

(22) Filed: **Mar. 23, 2006**

DESCRIPTION

(51) **LOC (8) Cl.** **22-06**

(52) **U.S. Cl.** **D22/123**

(58) **Field of Classification Search** D22/119–125;
43/107, 112–113, 124, 131; D26/37
See application file for complete search history.

FIG. 1 is a perspective view of the solar powered insect exterminator;

FIG. 2 is a front elevational view, the rear elevational view, the left and right side elevational views being the same;

FIG. 3 is a top plan view; and,

FIG. 4 is a bottom plan view.

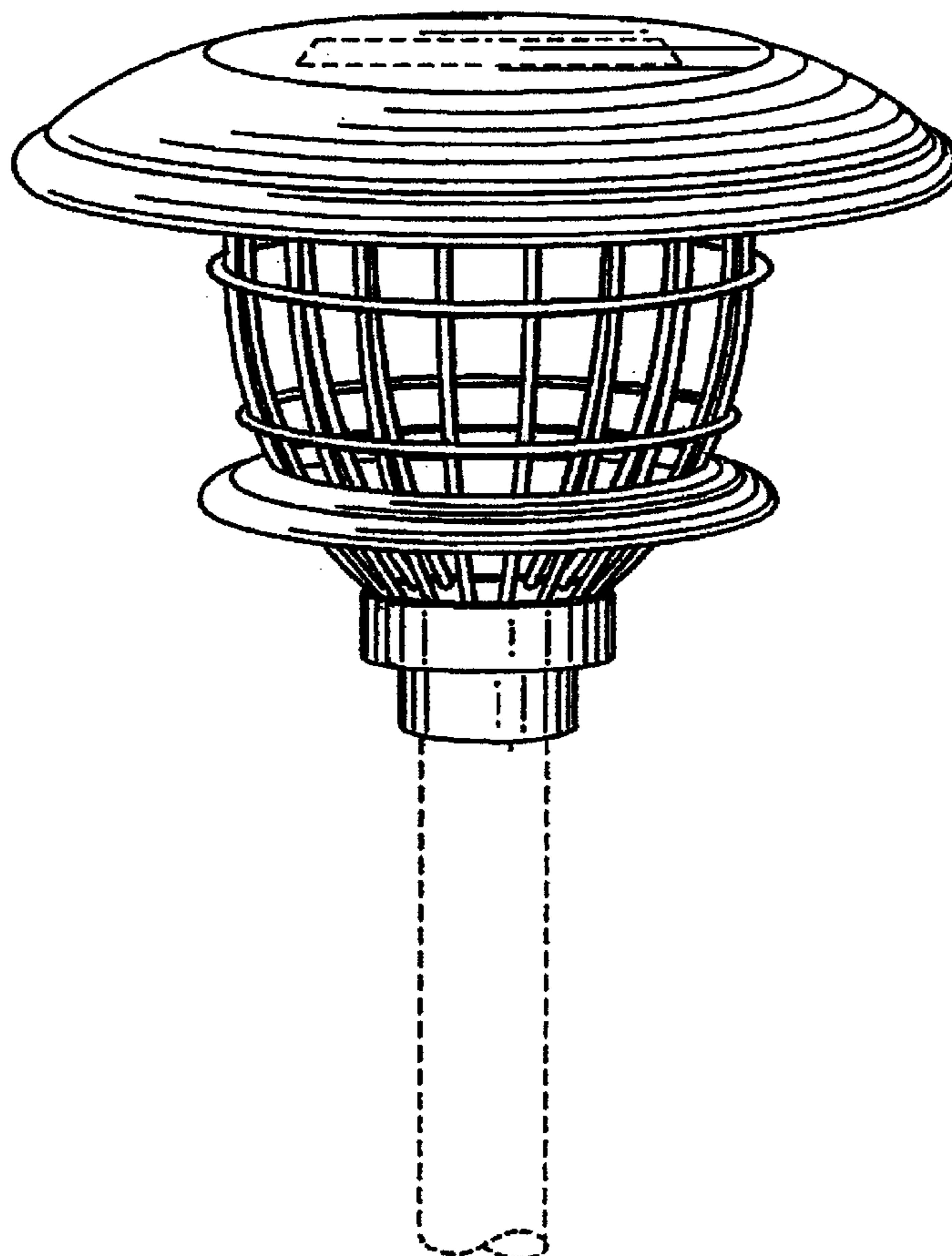
The broken line showing of environment in the drawings is included for the purpose of illustrating only and forms no part of the claimed design.

(56) **References Cited**

U.S. PATENT DOCUMENTS

D217,086 S * 4/1970 Miller D22/123
D291,226 S * 8/1987 Wan D22/123

1 Claim, 3 Drawing Sheets



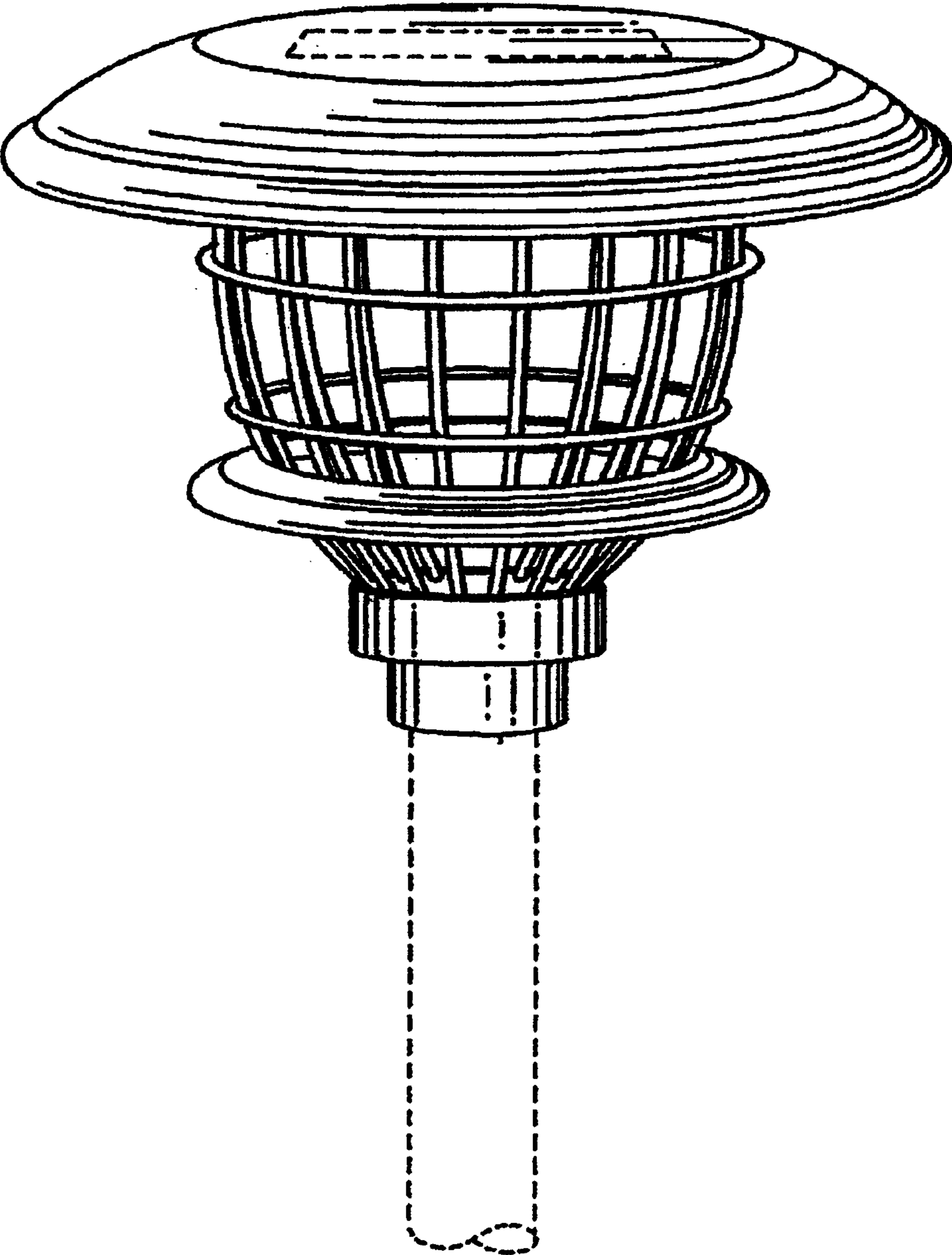


Fig. 1

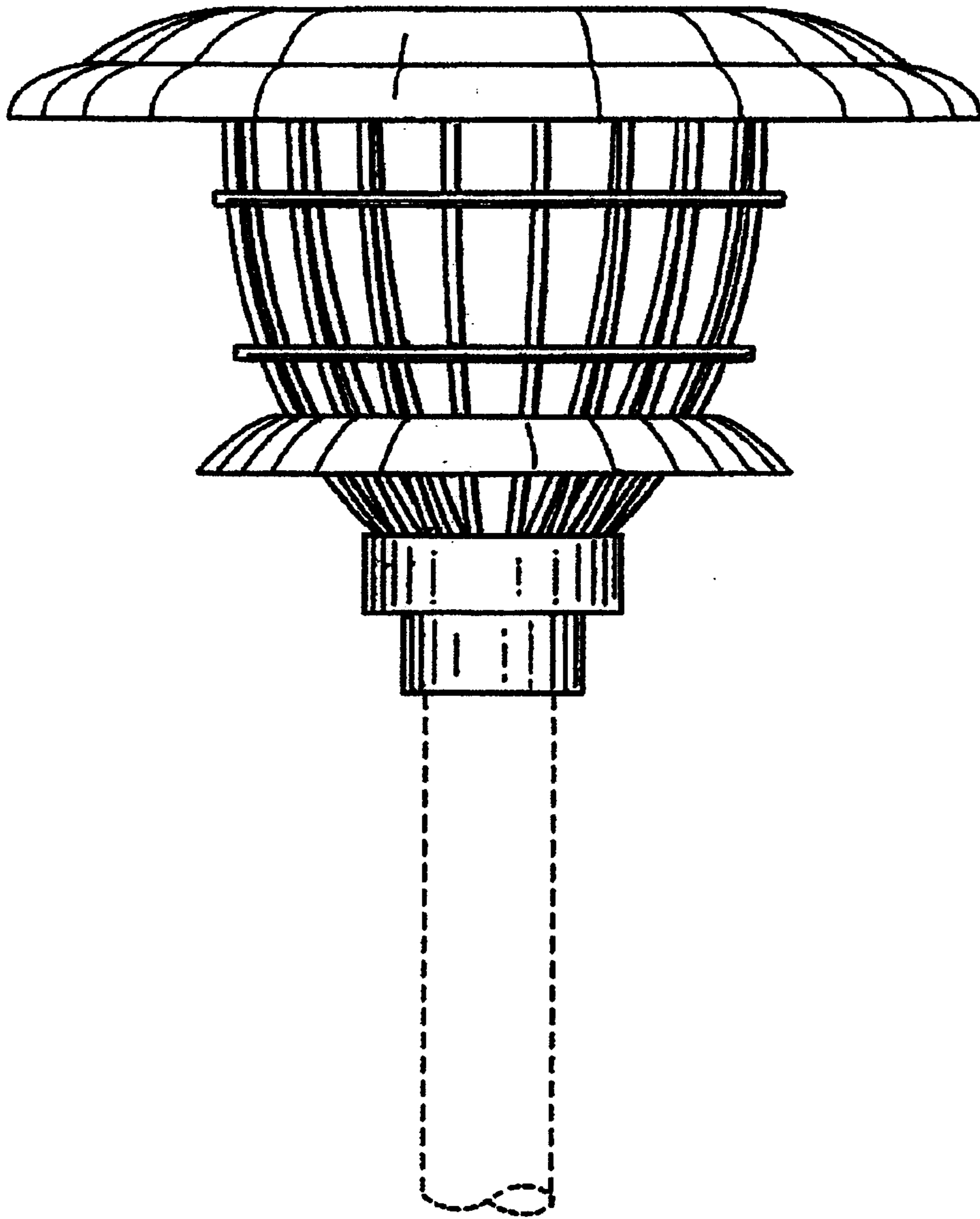


Fig. 2

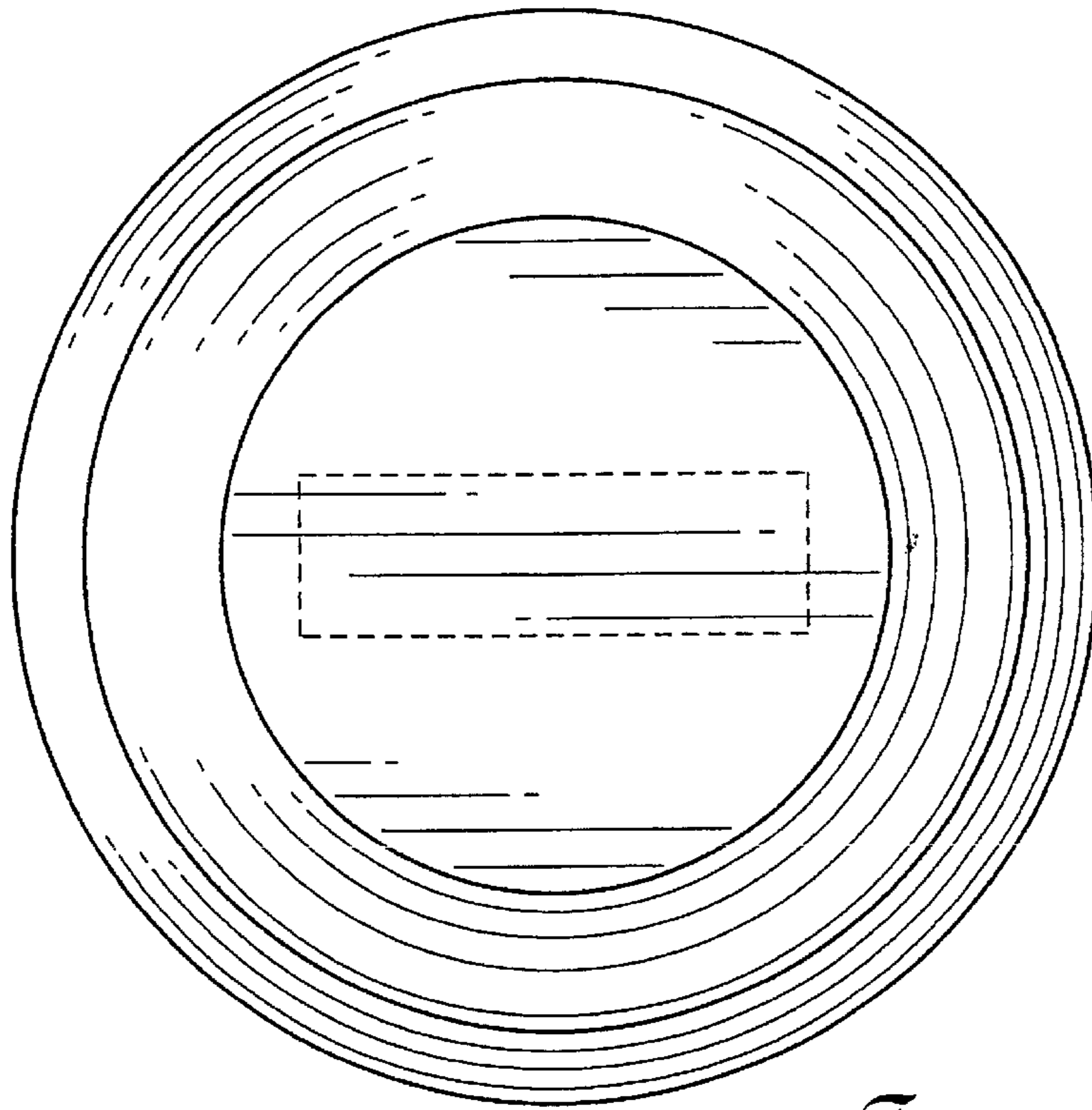


Fig. 3

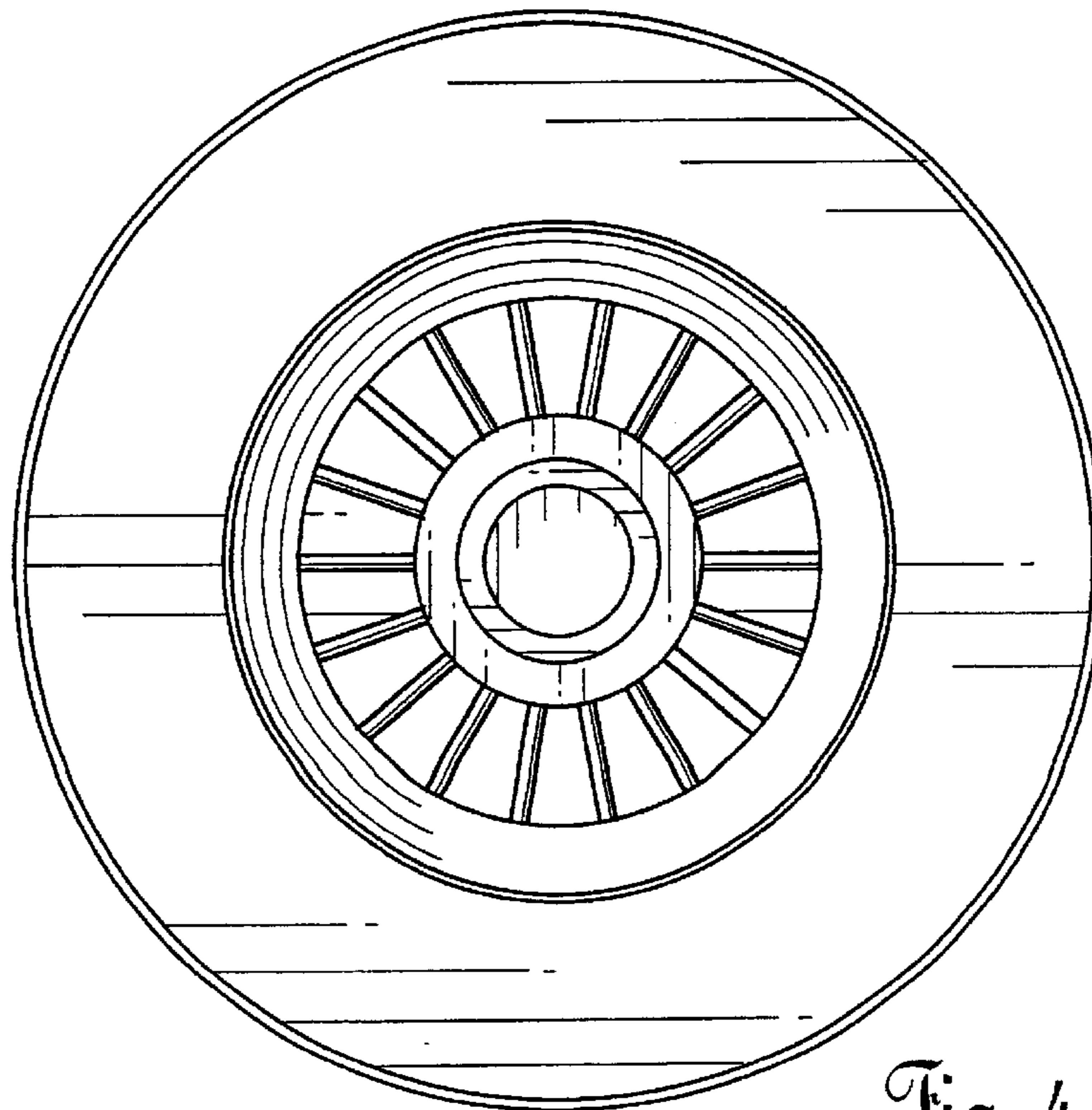


Fig. 4