

US00D547410S

(12) **United States Design Patent**
Nicolette et al.

(10) **Patent No.:** **US D547,410 S**
(45) **Date of Patent:** **** Jul. 24, 2007**

(54) **GOLF IRON HEAD WEIGHT**

(75) Inventors: **Michael R. Nicolette**, Scottsdale, AZ (US); **Marty R. Jertson**, Phoenix, AZ (US); **Bradley D. Schweigert**, Anthem, AZ (US); **Leslie J. Bryant**, Peoria, AZ (US); **John A. Solheim**, Phoenix, AZ (US)

(73) Assignee: **Karsten Manufacturing Corporation**, Phoenix, AZ (US)

(**) Term: **14 Years**

(21) Appl. No.: **29/263,841**

(22) Filed: **Jul. 29, 2006**

(51) **LOC (8) Cl.** **21-02**

(52) **U.S. Cl.** **D21/789; D21/753**

(58) **Field of Classification Search** **D21/789, D21/753, 747-751; 473/324-331, 350, 242, 473/335, 334, 349**

See application file for complete search history.

(56) **References Cited**

U.S. PATENT DOCUMENTS

5,082,278	A *	1/1992	Hsien	473/242
6,206,790	B1	3/2001	Kubica	
6,695,714	B1 *	2/2004	Bliss et al.	473/328
D502,975	S	3/2005	Schweigert	
D515,165	S *	2/2006	Zimmerman et al.	D21/789
D516,656	S *	3/2006	Hoffman et al.	D21/789
7,207,900	B2 *	4/2007	Nicolette et al.	473/334
2006/0025234	A1 *	2/2006	Nicolette et al.	473/334

* cited by examiner

Primary Examiner—Mitchell Siegel
(74) *Attorney, Agent, or Firm*—Darrell F. Marquette

(57) **CLAIM**

The ornamental design for a golf iron head weight, as shown and described.

DESCRIPTION

This application is related to application No. 29/257,257 filed Mar. 30, 2006.

FIG. 1 is a bottom perspective view of a golf iron head weight showing our new design;

FIG. 2 is a front elevational view of the golf iron head weight of FIG. 1;

FIG. 3 is a rear elevational view of the golf iron head weight of FIG. 1;

FIG. 4 is a top view of the golf iron head weight of FIG. 1;

FIG. 5 is a bottom view of the golf iron head weight of FIG. 1;

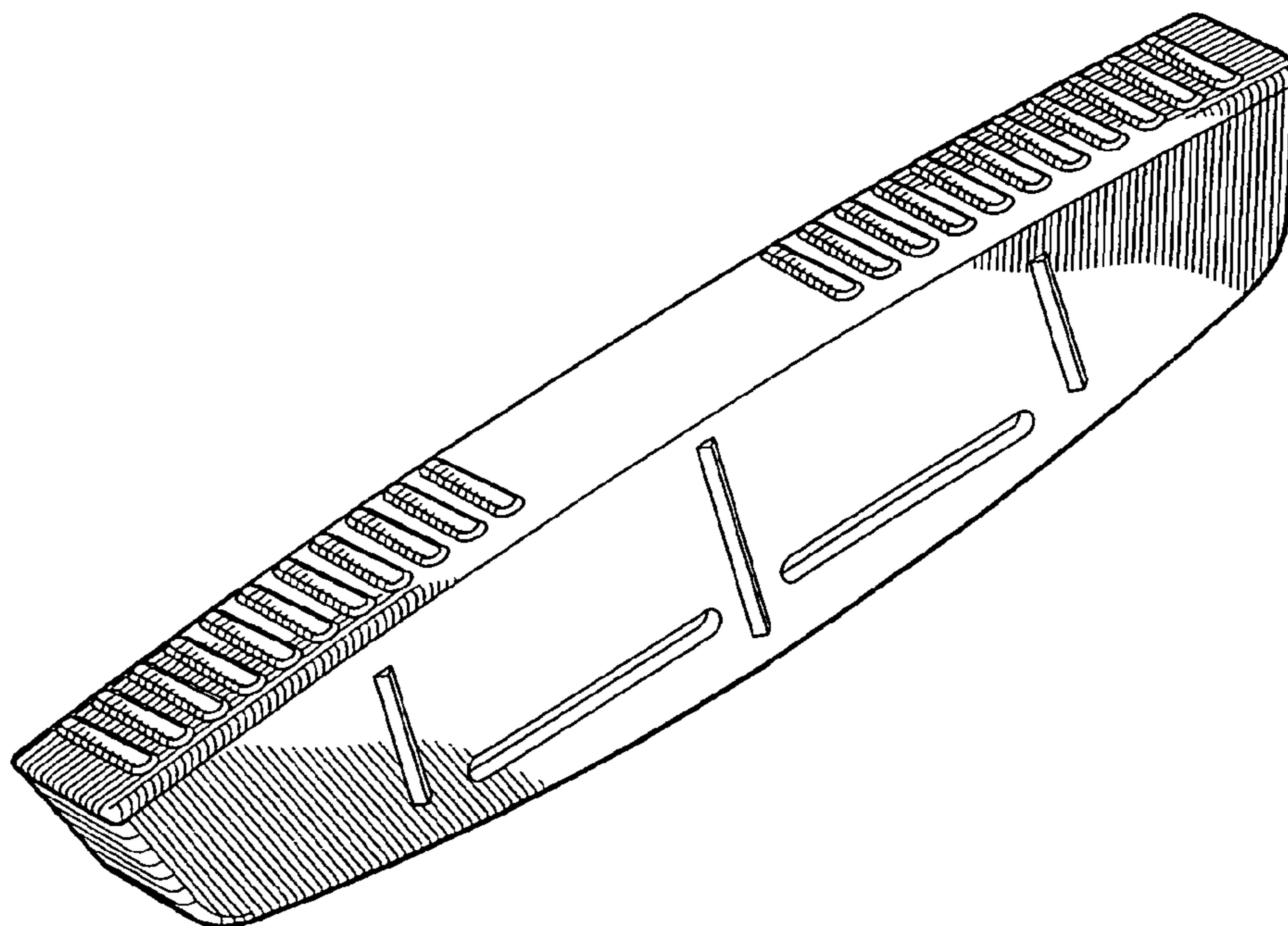
FIG. 6 is an end view of the golf iron head weight of FIG. 1 taken from the right in FIG. 2;

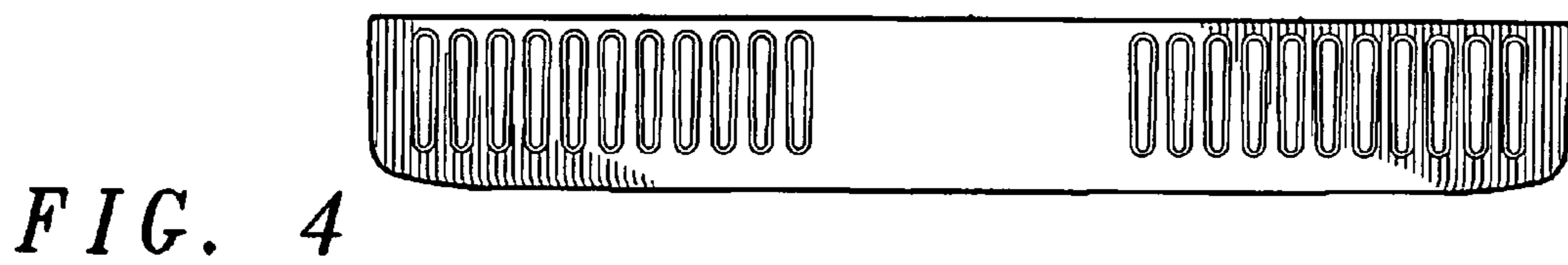
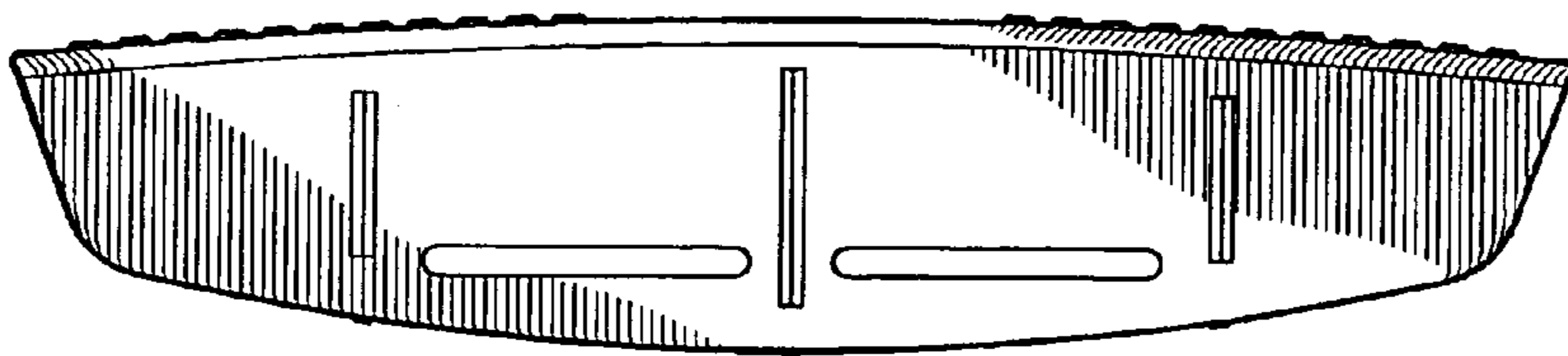
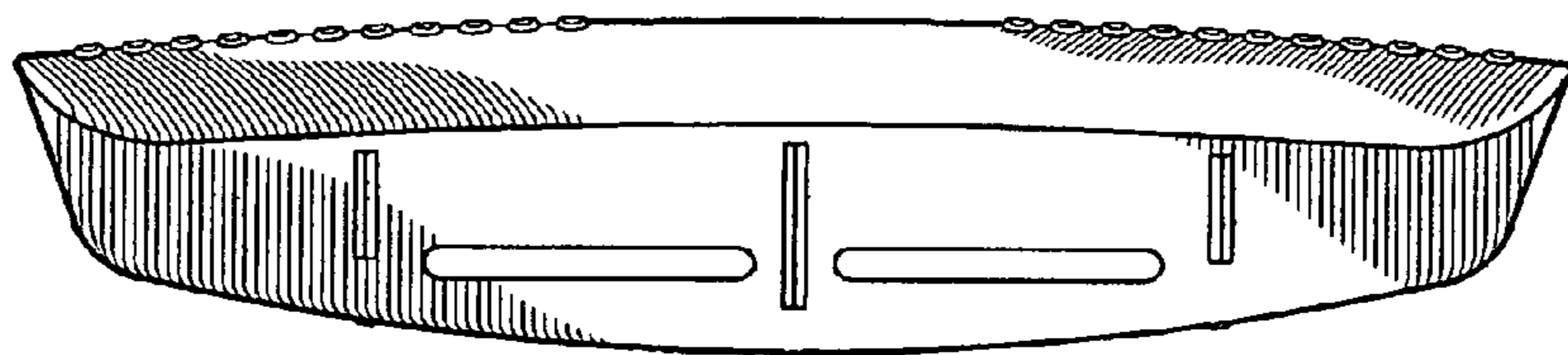
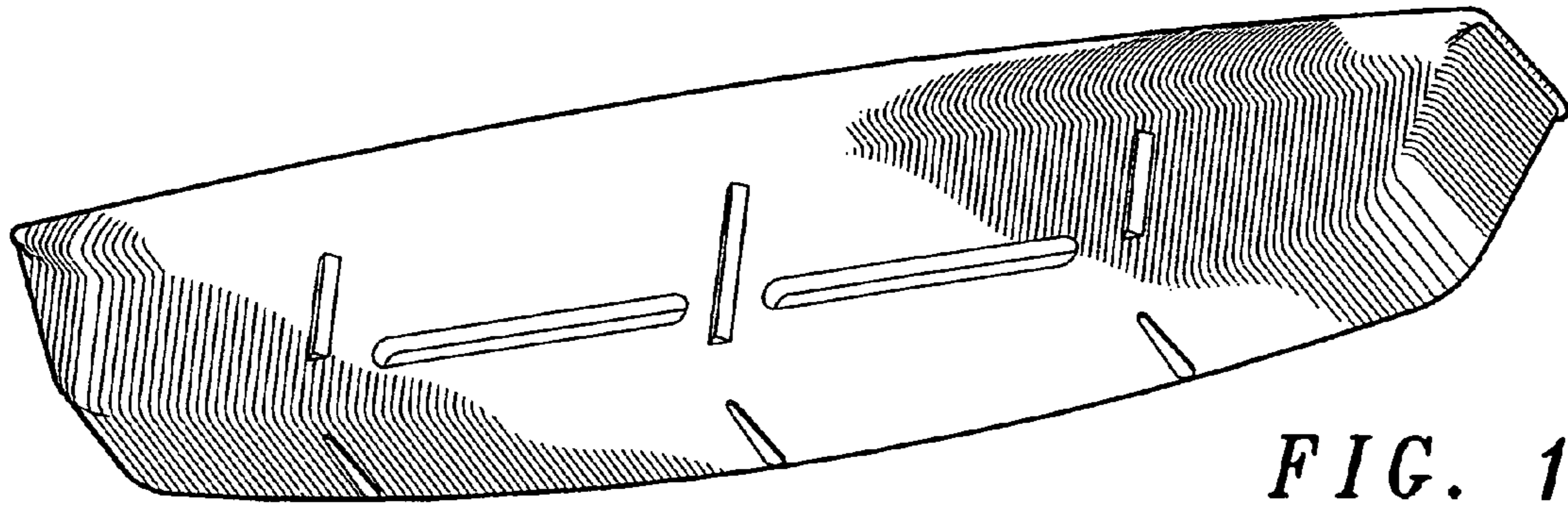
FIG. 7 is another end view of the golf iron head weight of FIG. 1 taken from the left in FIG. 2;

FIG. 8 is a top perspective view of the golf iron head weight of FIG. 1; and,

FIG. 9 is a view of the golf iron head weight in a golf iron head which is shown in broken lines for illustrative purposes only and forms no part of the claimed design.

1 Claim, 3 Drawing Sheets





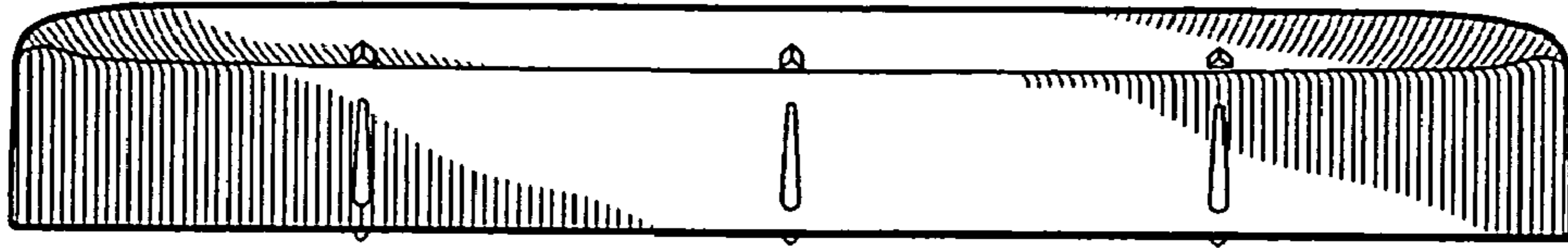


FIG. 5



FIG. 6

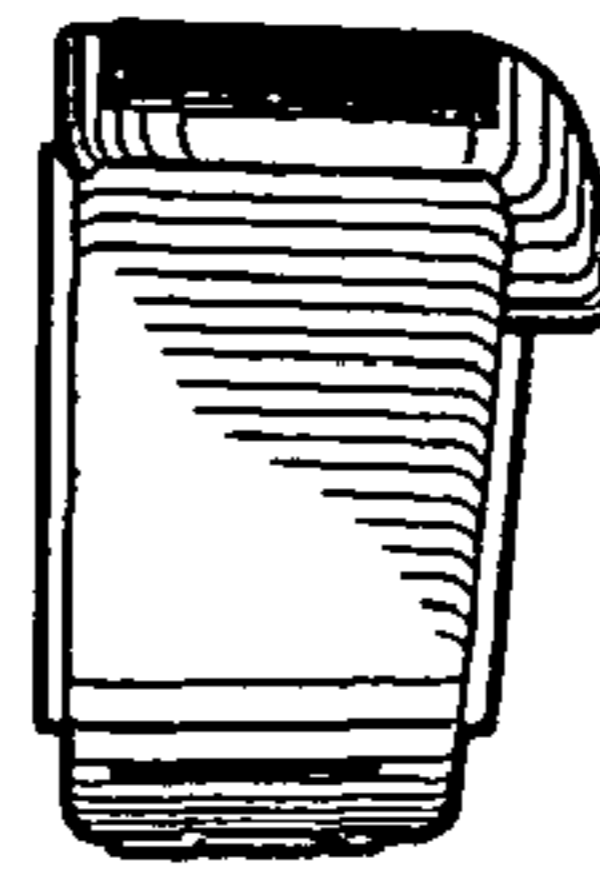


FIG. 7

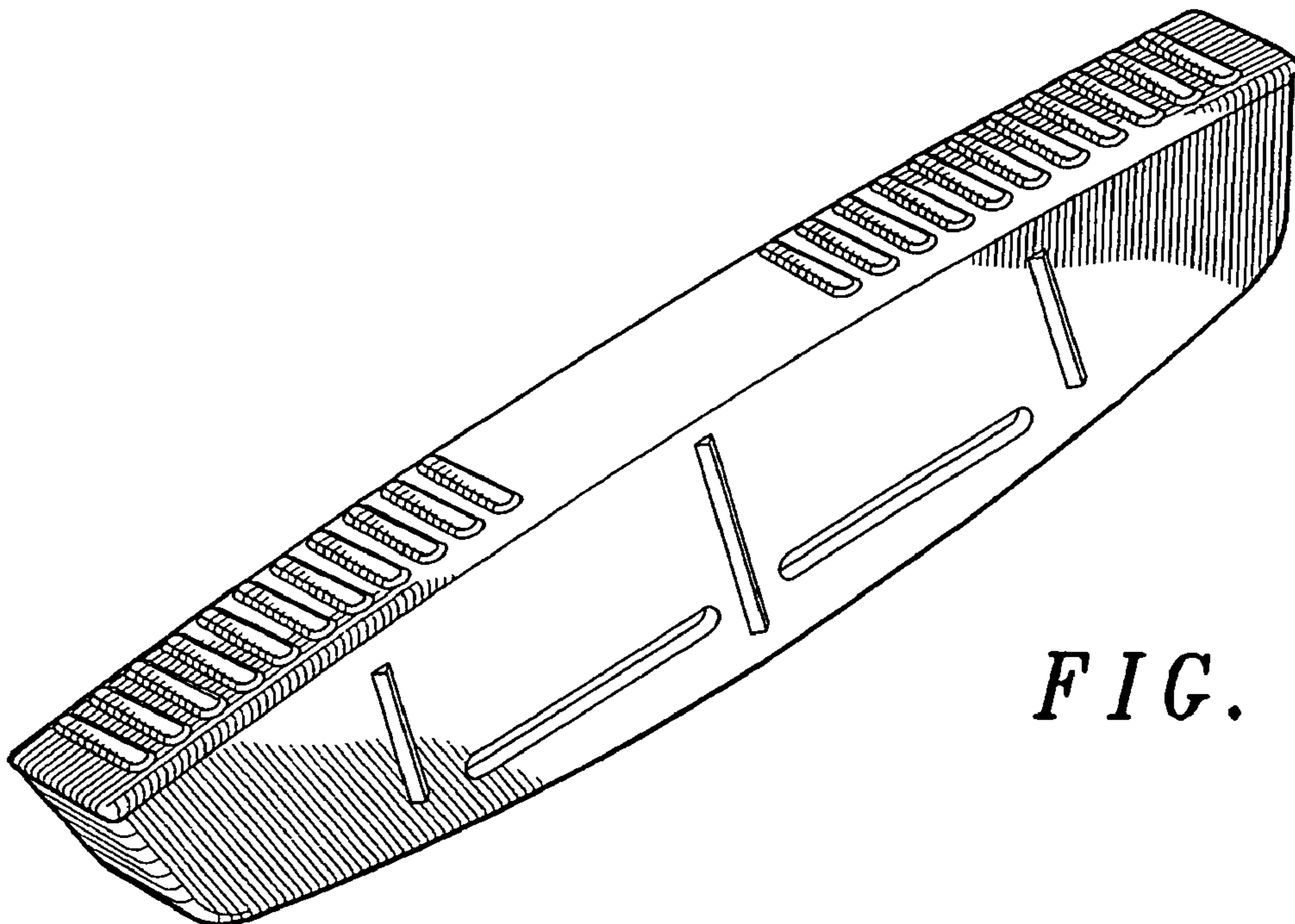


FIG. 8

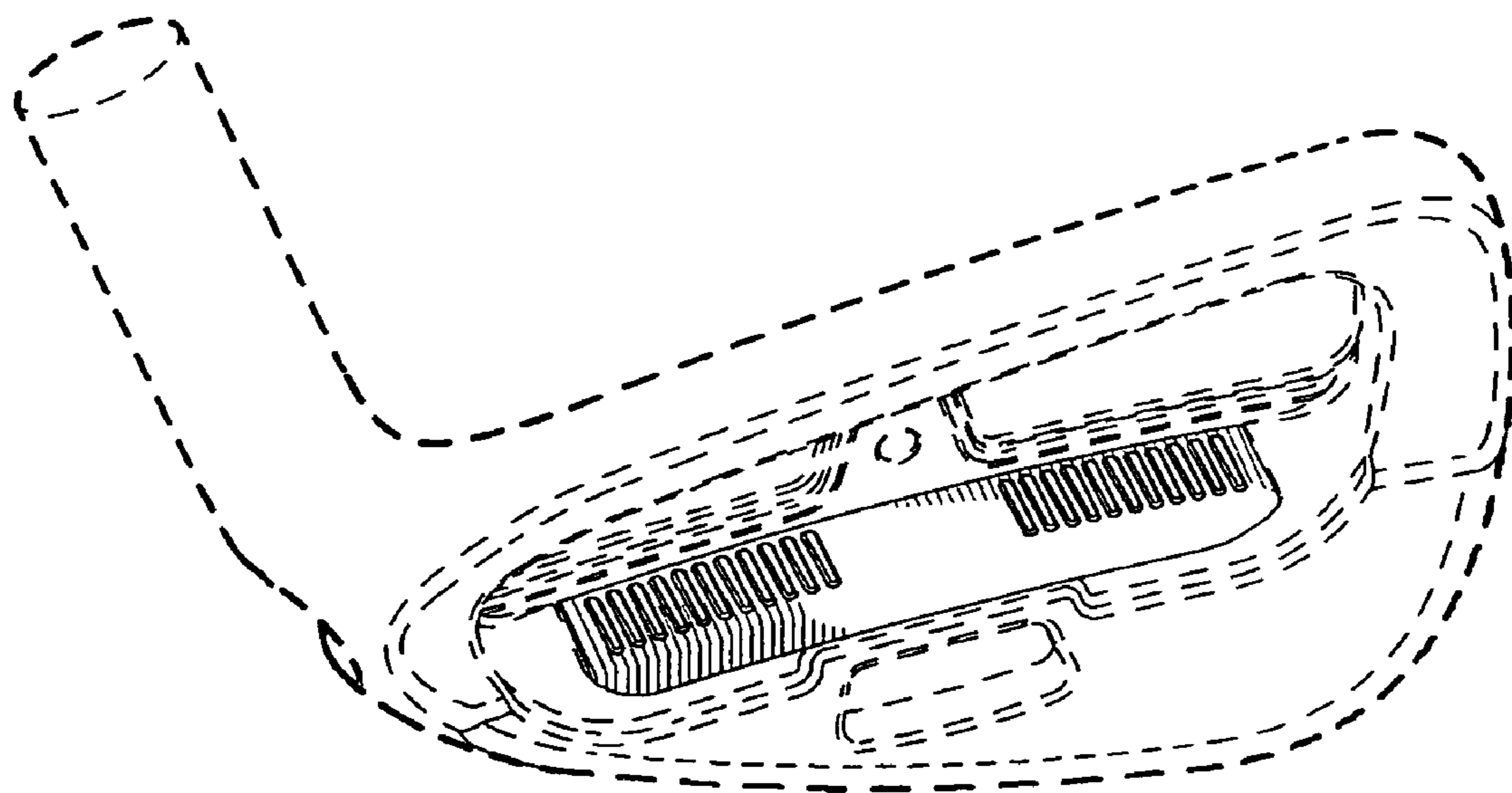


FIG. 9