

US00D547400S

(12) **United States Design Patent**
Rogers et al.

(10) **Patent No.:** **US D547,400 S**

(45) **Date of Patent:** **** Jul. 24, 2007**

(54) **WEIGHT BENCH CUSHION ARRANGEMENT**

(75) Inventors: **Orley David Rogers**, Sanford, MI (US); **Brian David Rogers**, Sanford, MI (US)

(73) Assignee: **Rogers Athletic Company**, Clare, MI (US)

(**) Term: **14 Years**

(21) Appl. No.: **29/251,289**

(22) Filed: **Jan. 5, 2006**

(51) **LOC (8) Cl.** **21-02**

(52) **U.S. Cl.** **D21/695; D21/690**

(58) **Field of Classification Search** D21/662, D21/694, 695, 690, 674, 675, 676; D6/352, D6/355, 349, 354, 502; 482/72, 95, 96, 97, 482/129, 130, 136, 137, 138, 142, 104; D24/183
See application file for complete search history.

(56) **References Cited**

U.S. PATENT DOCUMENTS

4,621,809 A *	11/1986	Pearl	482/104
4,861,024 A	8/1989	Lee		
5,160,305 A *	11/1992	Lin	482/138
5,215,510 A	6/1993	Baran		
D341,176 S *	11/1993	Habing et al.	D21/695
D357,954 S *	5/1995	Lee	D21/690
5,669,859 A	9/1997	Liggett et al.		
D390,287 S *	2/1998	Hsieh et al.	D21/676
D406,290 S *	3/1999	McBride	D21/690
D408,875 S *	4/1999	Anderson	D21/676

6,152,866 A *	11/2000	Kuo	482/142
D444,827 S	7/2001	Mobley		
D455,803 S *	4/2002	Webber	D21/690
6,605,023 B1	8/2003	Mobley		
6,623,407 B2	9/2003	Novak et al.		
6,623,409 B1	9/2003	Abelbeck		
6,669,607 B2	12/2003	Slawinski et al.		
D516,144 S *	2/2006	Panatta	D21/676
D519,585 S *	4/2006	Webber	D21/690
D533,910 S *	12/2006	Dibble et al.	D21/676

* cited by examiner

Primary Examiner—Philip S. Hyder

(74) *Attorney, Agent, or Firm*—Carlson, Gaskey & Olds

(57) **CLAIM**

We claim the ornamental design for a weight bench cushion arrangement, as shown and described.

DESCRIPTION

FIG. 1 is a perspective view of a weight bench cushion arrangement;

FIG. 2 is a top view of a weight bench cushion arrangement;

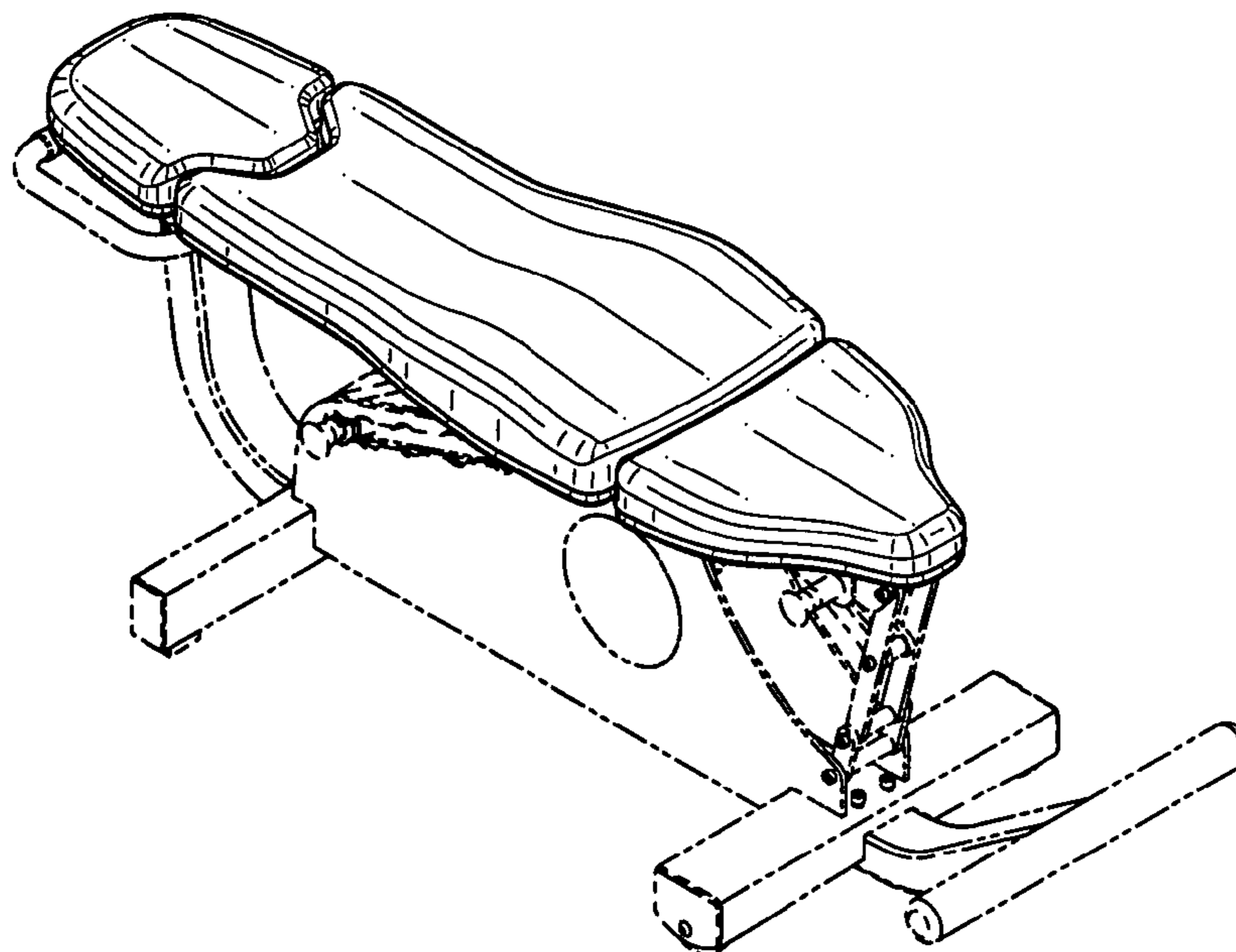
FIG. 3 is a side view of a weight bench cushion arrangement;

FIG. 4 is a rear view of a weight bench cushion arrangement; and,

FIG. 5 is a front view of a weight bench cushion arrangement.

The broken line showing of weight bench is included for the purpose of illustrating environmental structure and forms no part of the claimed design.

1 Claim, 2 Drawing Sheets



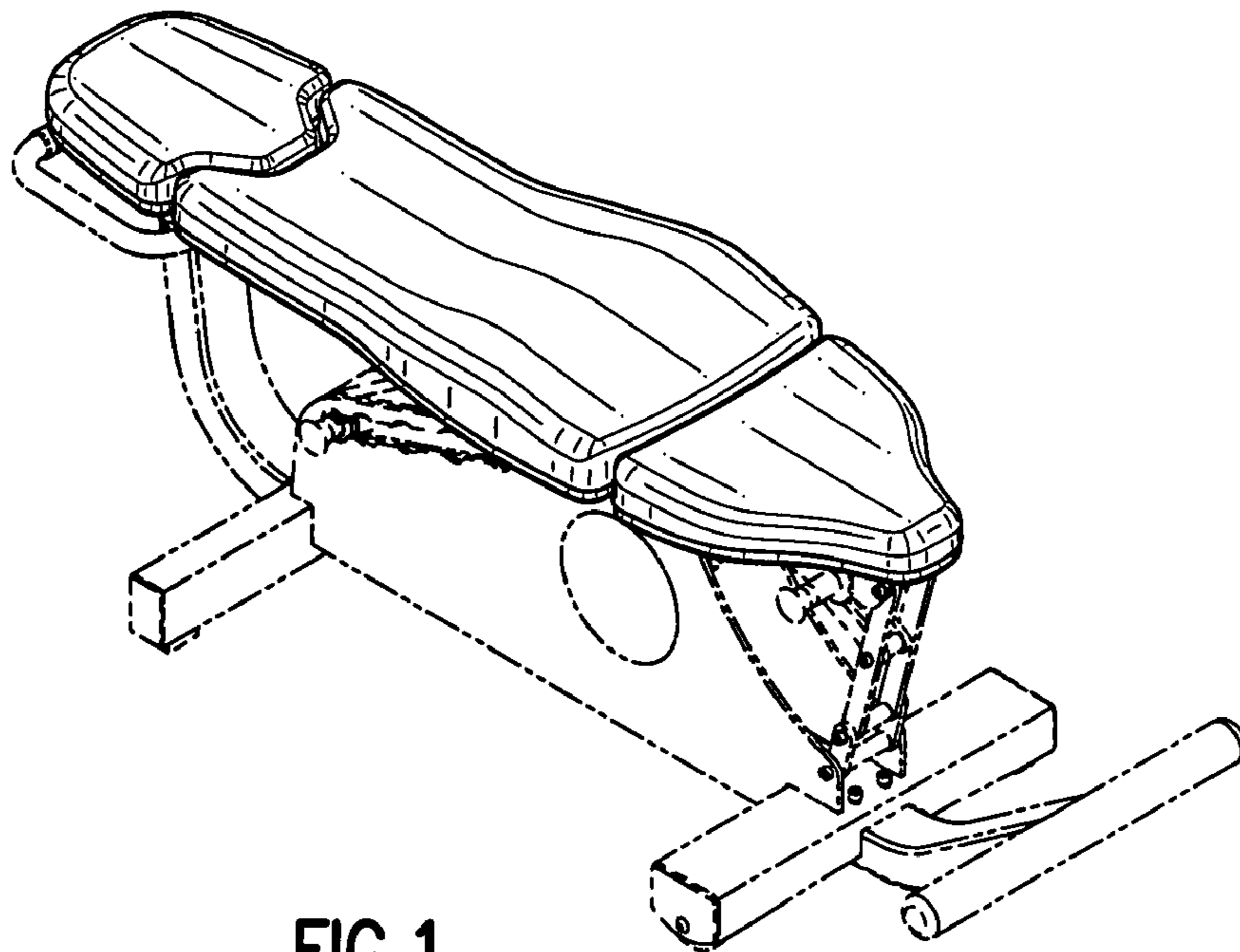


FIG. 1

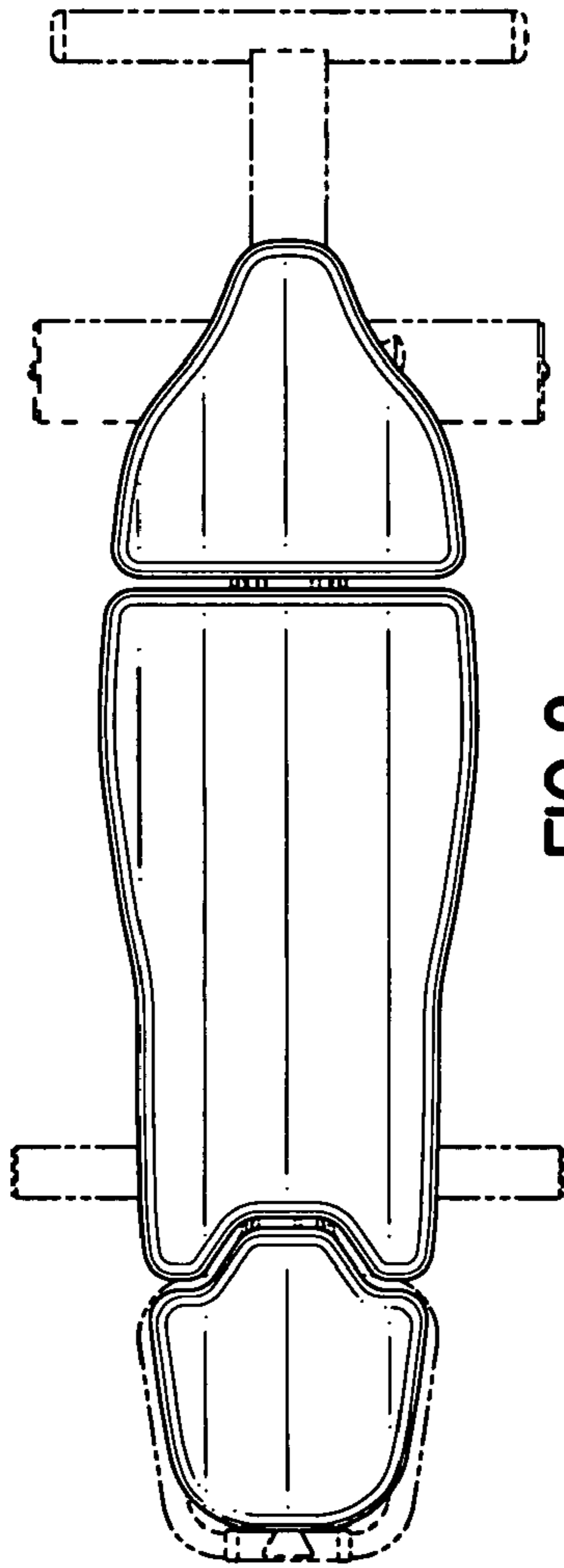


FIG. 2

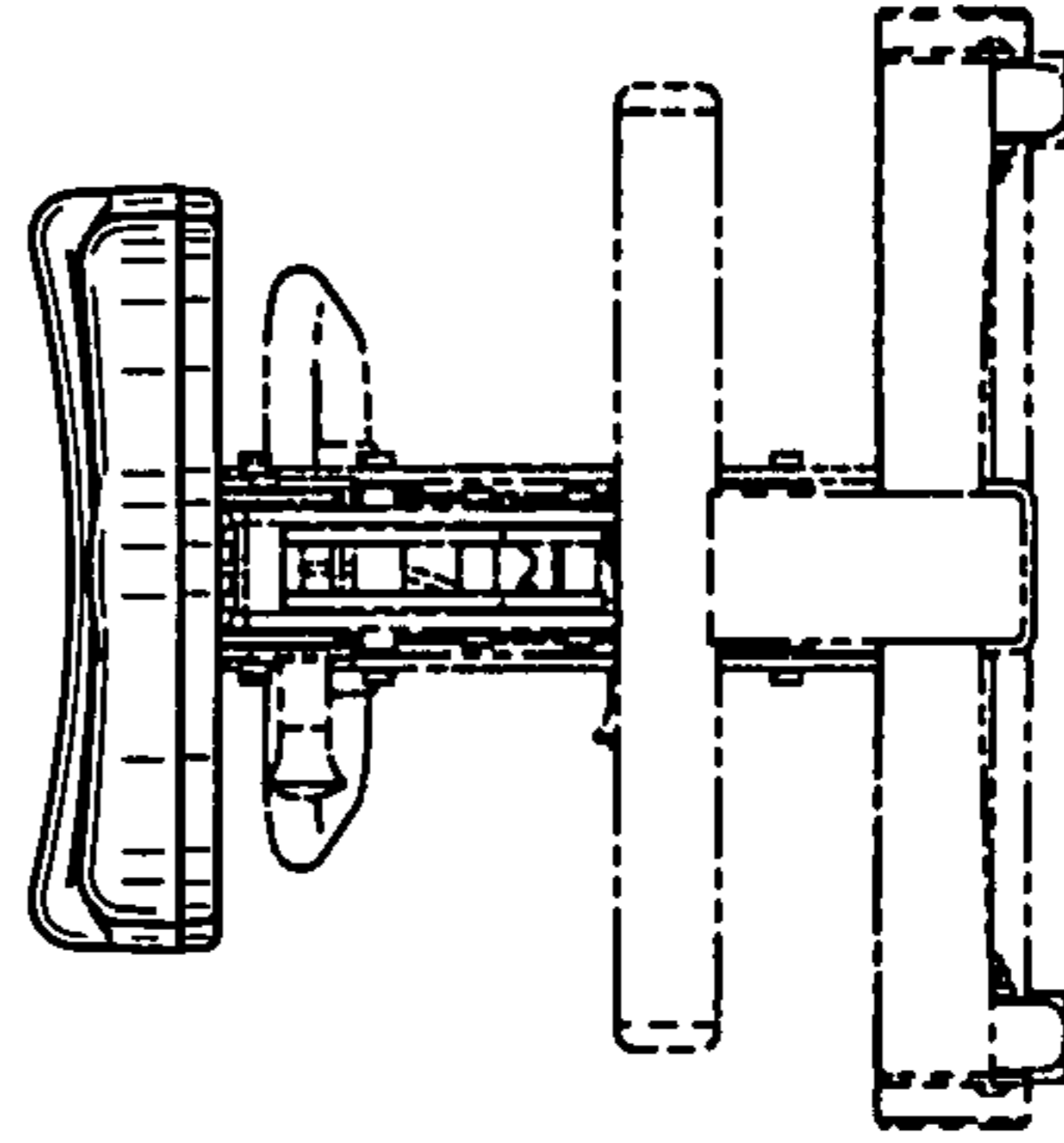


FIG. 5

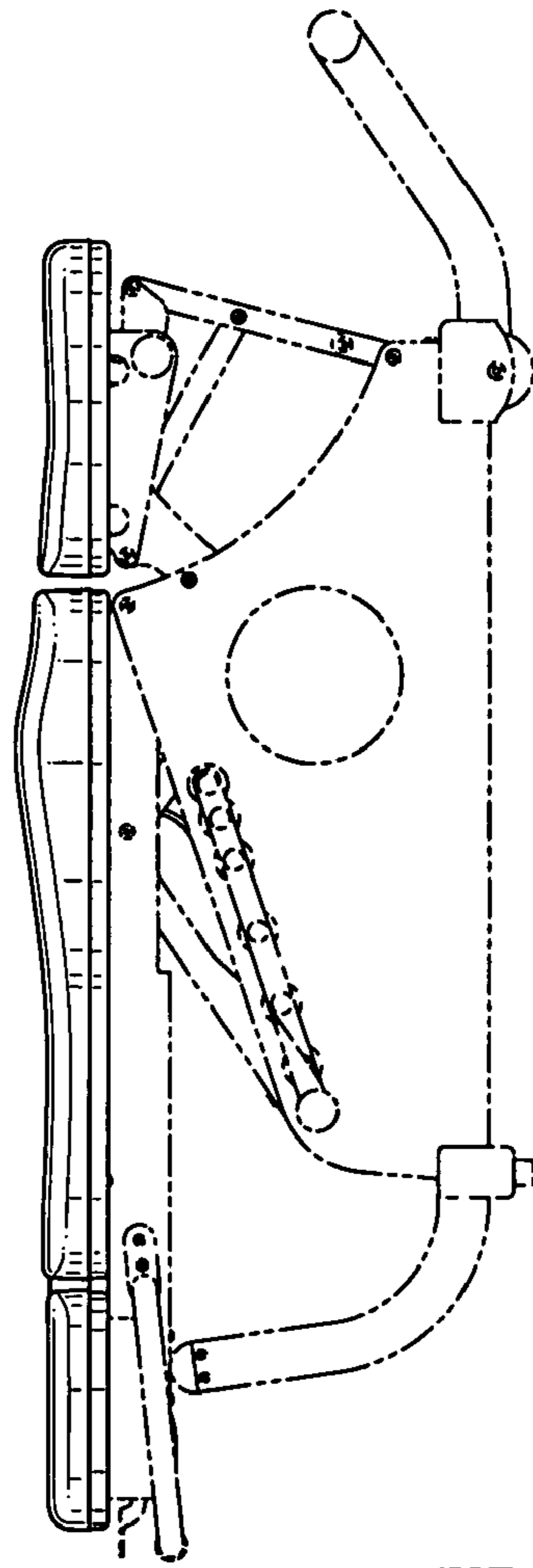


FIG. 3

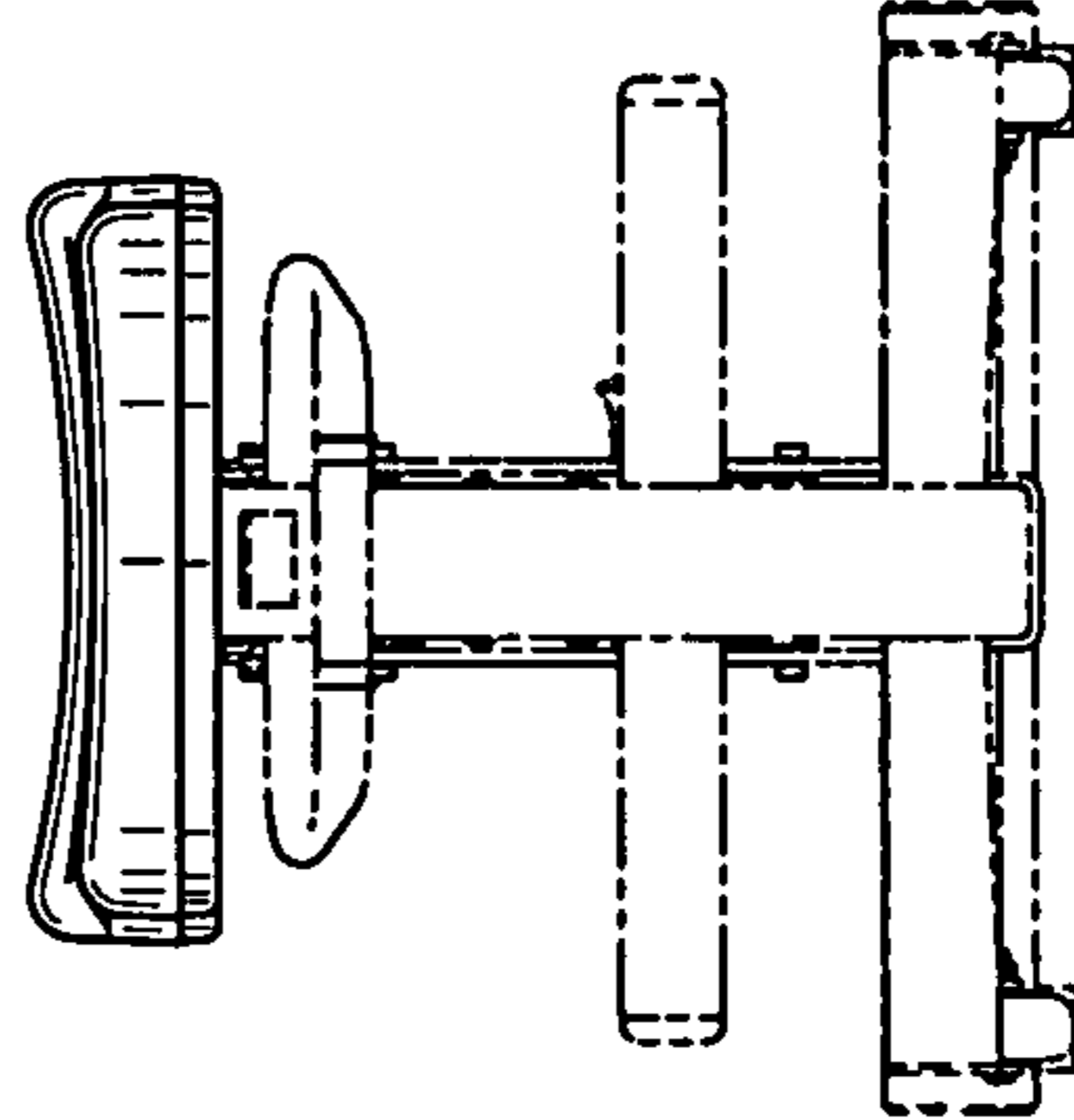


FIG. 4