



US00D547398S

(12) **United States Design Patent**
Parsey et al.

(10) **Patent No.:** **US D547,398 S**
(45) **Date of Patent:** **** Jul. 24, 2007**

(54) **SET OF WHEELS AND HUBS FOR A TOY VEHICLE**

(75) Inventors: **Tim Parsey**, Manhattan Beach, CA (US); **Nathan Proch**, Los Angeles, CA (US)

(73) Assignee: **Mattel, Inc.**, El Segundo, CA (US)

(**) Term: **14 Years**

(21) Appl. No.: **29/216,180**

(22) Filed: **Oct. 29, 2004**

(51) **LOC (8) Cl.** **21-01**

(52) **U.S. Cl.** **D21/563**

(58) **Field of Classification Search** D21/423,
D21/563, 779; 180/194; 280/836, 11.19,
280/11.221, 11.222, 11.226, 11.227, 11.24,
280/11.25, 29, 205; 301/5.1, 5.301, 95.101;
446/78, 95; D12/88, 500, 501, 604, 209
See application file for complete search history.

(56) **References Cited**

U.S. PATENT DOCUMENTS

D225,761 S *	1/1973	Munn	D21/533
D261,637 S *	11/1981	Blanchard et al.	D12/209
D316,284 S *	4/1991	Knudsen	D21/563
D324,245 S *	2/1992	Wright	D21/563
D409,262 S *	5/1999	Stephenson	D21/548
5,943,836 A *	8/1999	Kassardjian	52/301
D460,791 S *	7/2002	McBride	D21/533
2002/0128710 A1 *	9/2002	Eggleston	623/6.22
2005/0250416 A1 *	11/2005	Barthold	446/465

OTHER PUBLICATIONS

("Little Red Roadster") Sensation Beginnings Holiday 2001 , 2001 , [online], [retrieved on Jan. 26, 2006] Retrieved from Google Catalog Search using Internet <URL: <http://catalogs.google.com/catalogs?ie=UTF-8&hl=en&vid=0LmkYoT0zCVH&id=hh59oNimCeAC&dq=toy+hub&prev=http://catalogs.google.com/catalogs%3Flr%3D%26q%3Dtoy%2Bhub&lpg=PA7&pg=PA11>> p. 11.*

("Walker Wagon") Sensation Beginnings Holiday 2001 , 2001 , [online], [retrieved on Jan. 26, 2006] Retrieved from Google Catalog Search using Internet <URL: <http://catalogs.google.com/catalogs?ie=UTF-8&hl=en&vid=0LmkYoT0zCVH&id=hh59oNimCeAC&dq=toy+hub&prev=http://catalogs.google.com/catalogs%3Flr%3D%26q%3Dtoy%2Bhub&lpg=PA7&pg=PA8>> p. 8.*

(Continued)

Primary Examiner—Holly H. Baynham

Assistant Examiner—Cynthia M. Chin

(74) *Attorney, Agent, or Firm*—Alleman Hall McCoy Russell & Tuttle, LLP

(57) **CLAIM**

The ornamental design for a set of wheels and hubs for a toy vehicle, as shown and described.

DESCRIPTION

FIG. 1 is a front perspective view of a toy vehicle with wheels and hubs.

FIG. 2 is a side view of the vehicle of FIG. 1. The opposing side view is a substantial mirror image of the side view shown in FIG. 2.

FIG. 3 is a front perspective view of the wheels and hubs of FIG. 1; and,

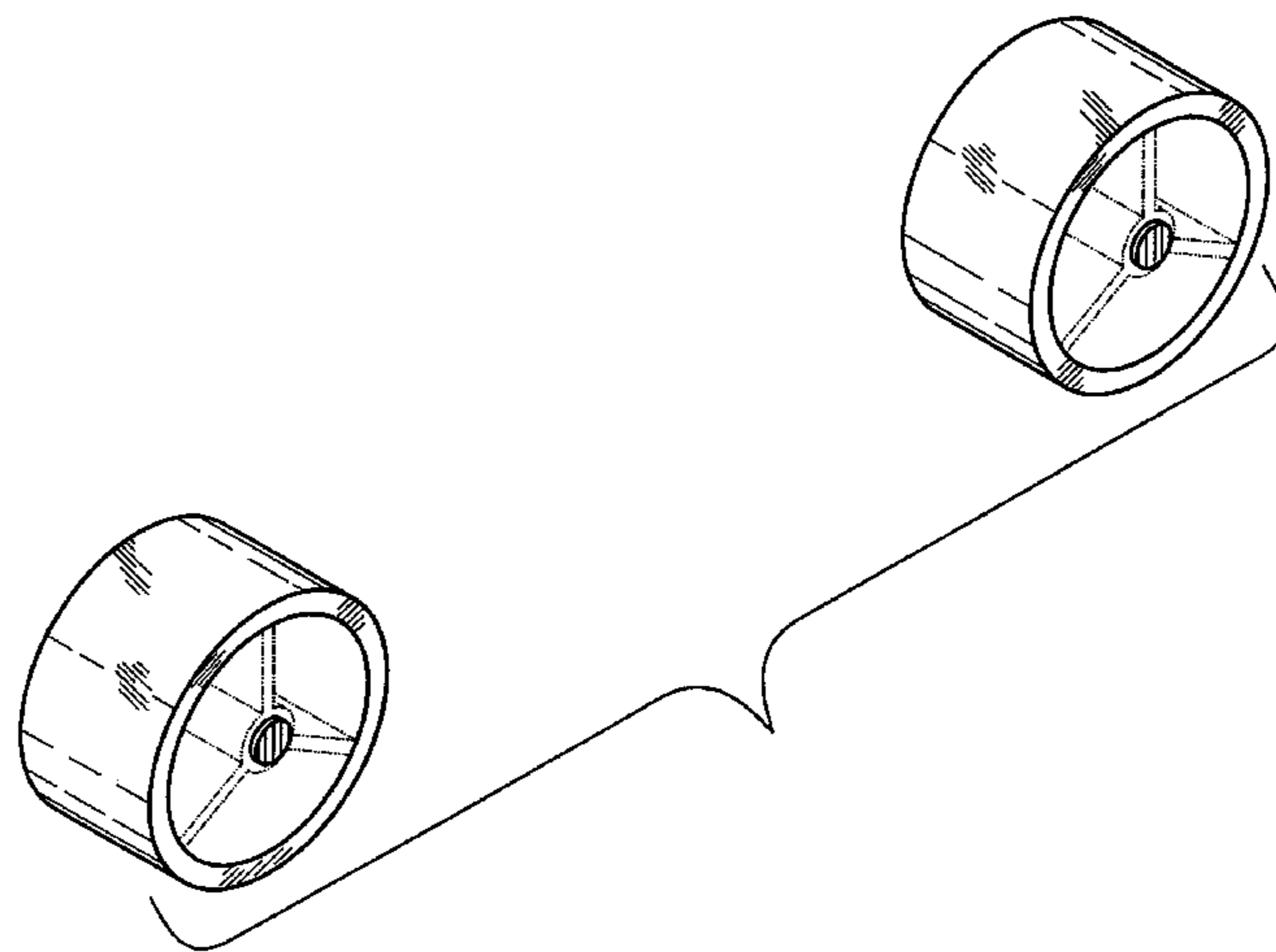
FIG. 4 is rear perspective view of the wheels and hubs of FIG. 1.

The broken or dashed lines shown in the drawing are for illustrative purposes only and form no part of the claimed design.

The drawings are lined for color, with vertical parallel denoting the colors red or pink.

The shading lines shown in the drawing represent the three-dimensional contour of the design, and are not intended to indicate surface decoration.

1 Claim, 2 Drawing Sheets



OTHER PUBLICATIONS

(“Tiny Trike”) Sensation Beginnings Holiday 2001 , 2001 , [online], [retrieved on Jan. 26, 2006] Retrieved from Google Catalog Search using Internet <URL: <http://catalogs.google.com/catalogs?ie=UTF-8&hl=en&vid=0LmkYoT0zCVH&id=hh59oNimCeAC&dq=toy+hub&prev=http://catalogs.google.com/catalogs%3Fflr%3D%26q%3Dtoy%2Bhub&lpg=PA7&pg=PA9> > p. 9.*

(“Lady” Train Car) Sensation Beginnings Holiday 2001 , 2001 , [online], [retrieved on Jan. 26, 2006] Retrieved from Google Catalog Search using Internet <URL: <http://catalogs.google.com/catalogs?ie=UTF-8&hl=en&vid=0LmkYoT0zCVH&id=hh59oNimCeAC&dq=toy+hub&prev=http://catalogs.google.com/catalogs%3Fflr%3D%26q%3Dtoy%2Bhub&lpg=PA7&pg=PA13> > p. 13.*

(“Music In Motion Roller Coaster”) Sensation Beginnings Summer 2002, 2002, [online], [retrieved on Jan. 26, 2006] Retrieved from

Google Catalog Search using Internet <URL: <http://catalogs.google.com/catalogs?ie=UTF-8&hl=en&id=0nS8V0-eZ6kC&lpg=PA1&pg=PA18&printsec=0>> p. 18.*

(“Tune N’ Go Auto Shop”) Sensation Beginnings Summer 2002, 2002, [online], [retrieved on Jan. 26, 2006] Retrieved from Google Catalog Search using Internet <URL: <http://catalogs.google.com/catalogs?ie=UTF-8&hl=en&id=0nS8V0-eZ6kC&lpg=PA1&pg=PA20&printsec=0>> p. 20.*

(“Rock, Roll & Ride Trike ”) Fisher-Price Holiday 2001, 2001, [online], [retrieved on Jan. 26, 2006] Retrieved from Google Catalog Search using Internet <URL: <http://catalogs.google.com/catalogs?ie=UTF-8&hl=en&id=xg09vFug1cgC7Ipg=PA1&printsec=0&pg=PA17>>p. 17.*

* cited by examiner

Fig. 1

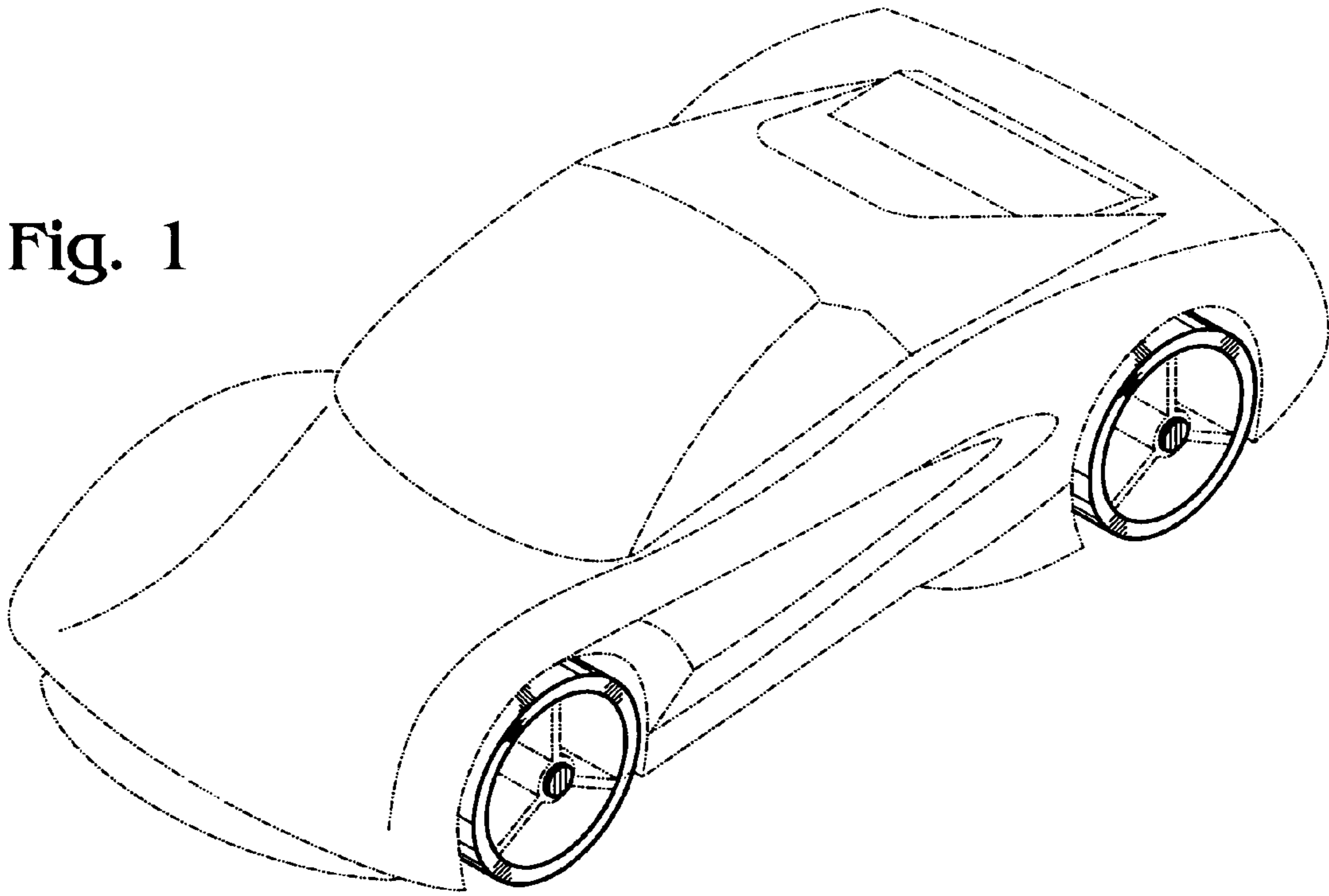


Fig. 2

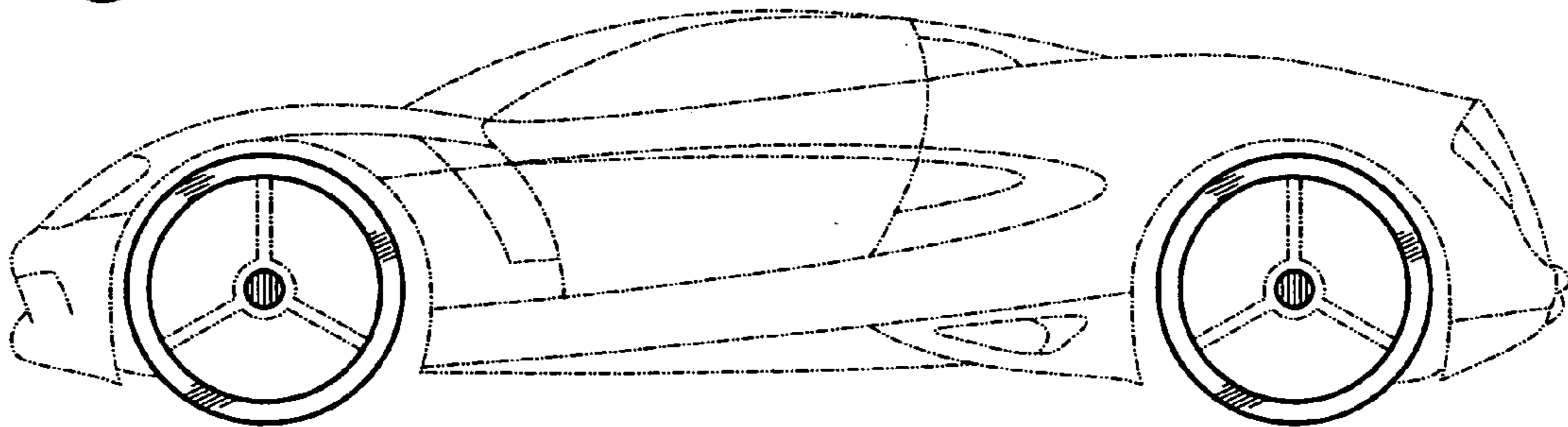


Fig. 3

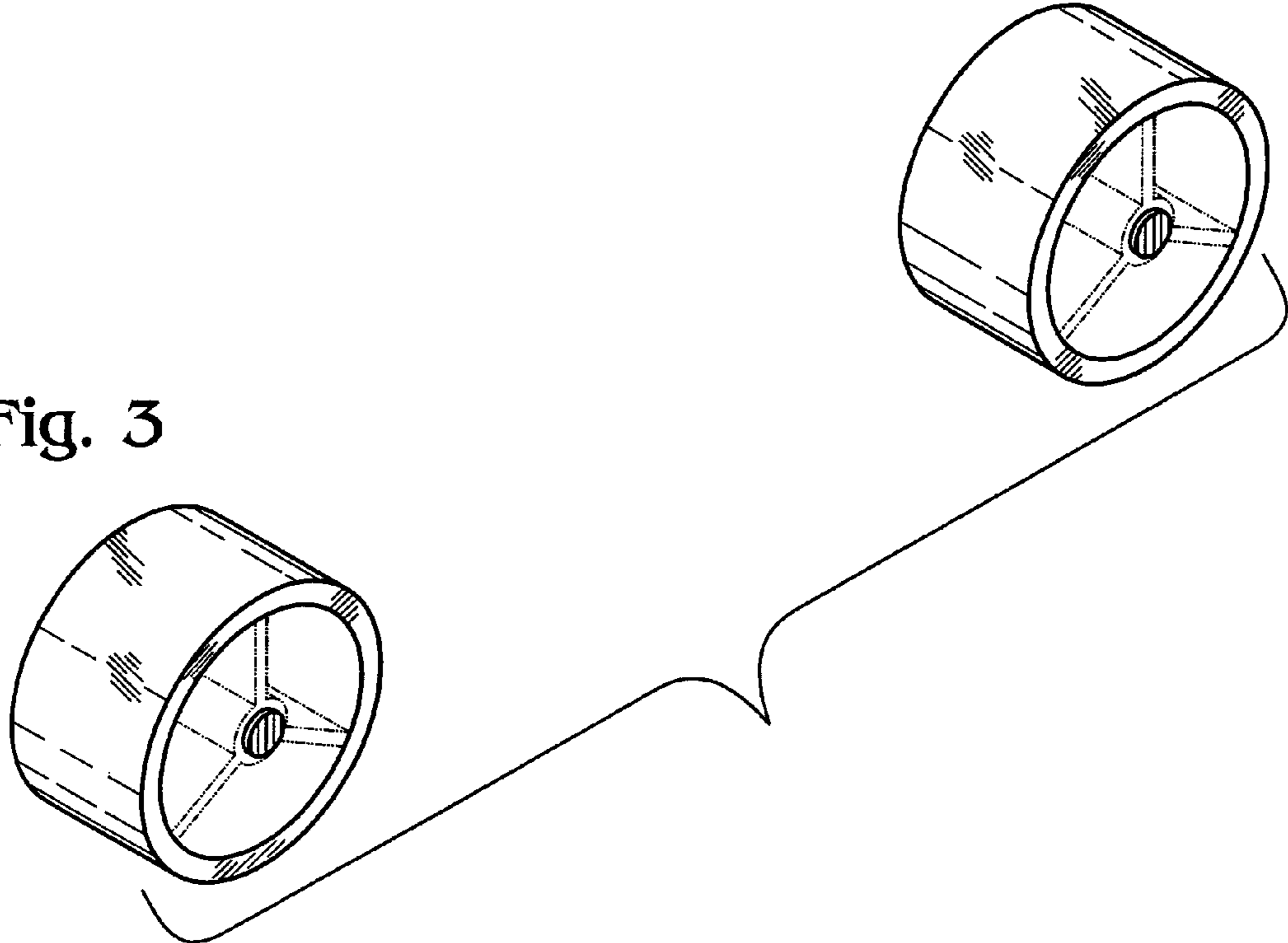


Fig. 4

