

US00D547397S

(12) **United States Design Patent**  
**Sasuga**

(10) **Patent No.:** **US D547,397 S**

(45) **Date of Patent:** **\*\* Jul. 24, 2007**

(54) **TOY VEHICLE**

(75) Inventor: **Tadashi Sasuga**, Tokyo (JP)

(73) Assignee: **Tomy Company, Ltd.**, Tokyo (JP)

(\*\*) Term: **14 Years**

(21) Appl. No.: **29/269,398**

(22) Filed: **Nov. 30, 2006**

(30) **Foreign Application Priority Data**

Jun. 1, 2006 (JP) ..... 2006-014089

(51) **LOC (8) Cl.** ..... **21-01**

(52) **U.S. Cl.** ..... **D21/555**

(58) **Field of Classification Search** ..... D21/533,  
D21/552, 555; D12/1, 13; 446/440, 426-428,  
446/470-471, 482; 169/24; 137/351, 615  
See application file for complete search history.

(56) **References Cited**

**U.S. PATENT DOCUMENTS**

3,789,869	A	*	2/1974	Morris	.....	137/351
D252,224	S	*	6/1979	Asano	.....	D21/556
D252,229	S	*	6/1979	Asano	.....	D21/556
D258,457	S	*	3/1981	Pape	.....	D21/555
D263,325	S	*	3/1982	Kanaoki	.....	D21/555
D272,928	S	*	3/1984	Fisher	.....	D21/552

D277,688	S	*	2/1985	Wilkes	.....	D21/555
D289,535	S	*	4/1987	Wilkes	.....	D21/555
D297,034	S	*	8/1988	Matsumoto	.....	D21/580
D380,992	S	*	7/1997	McDaniel	.....	D21/555
D429,291	S	*	8/2000	Park	.....	D21/555
D436,893	S	*	1/2001	Kastner et al.	.....	D12/13

\* cited by examiner

*Primary Examiner*—Holly H. Baynham

*Assistant Examiner*—Cynthia M. Chin

(74) *Attorney, Agent, or Firm*—Staas & Halsey LLP

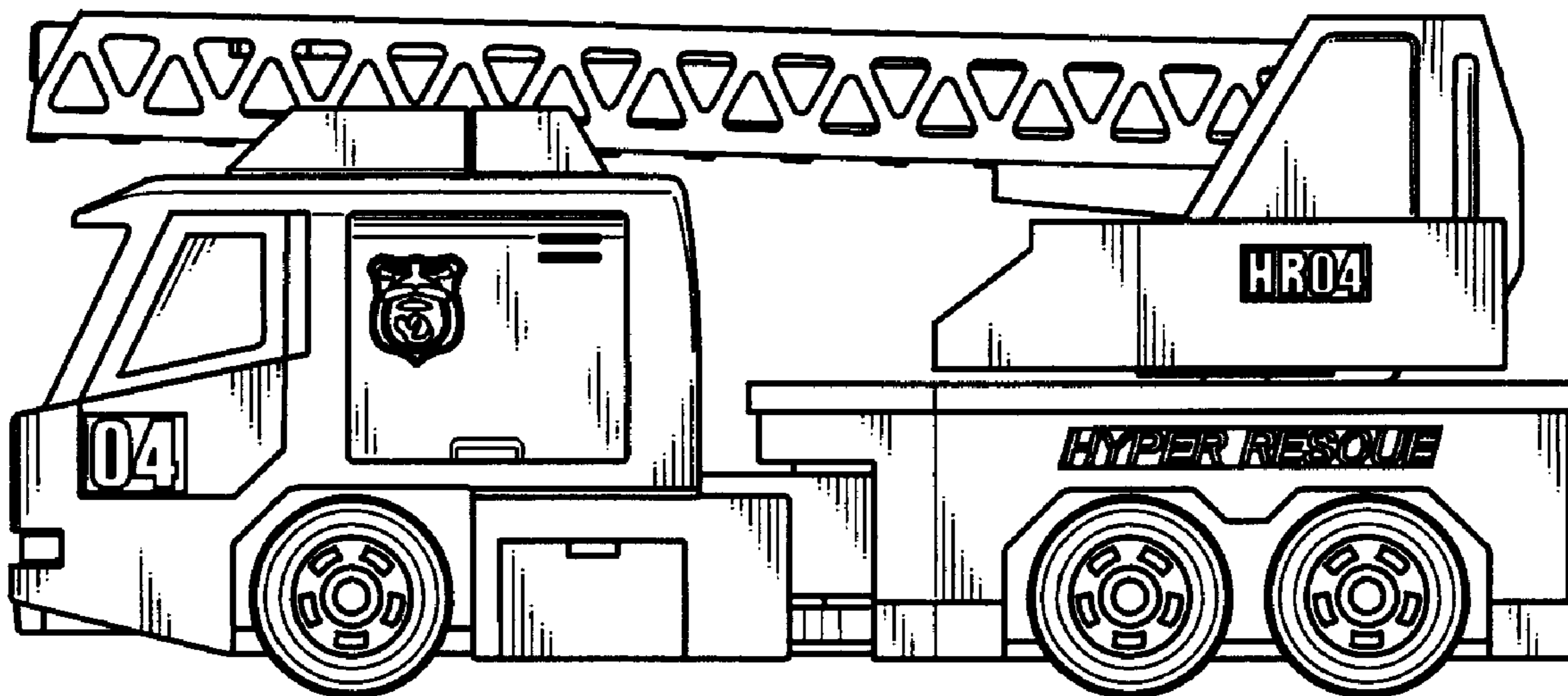
(57) **CLAIM**

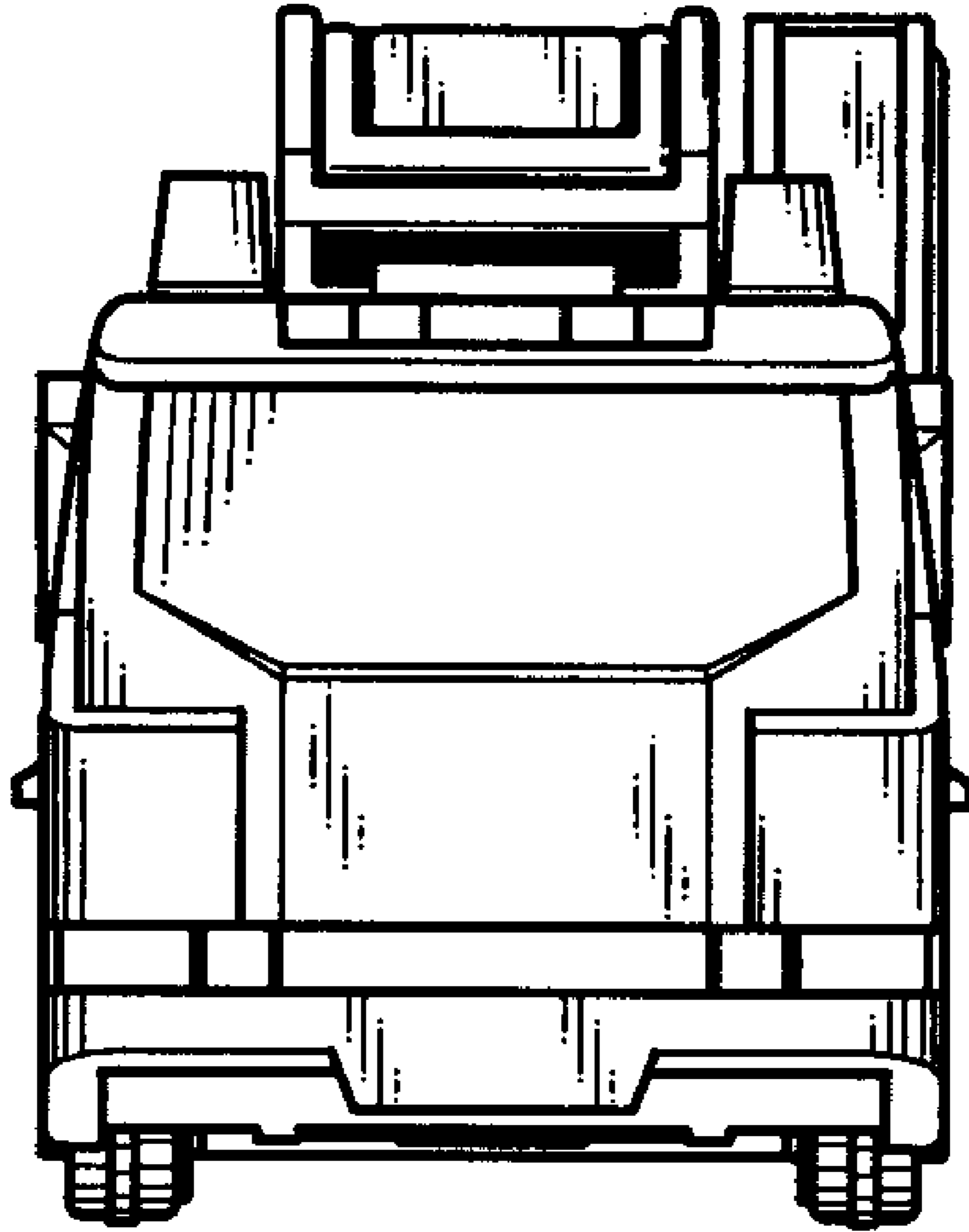
The ornamental design for a toy vehicle, as shown and described.

**DESCRIPTION**

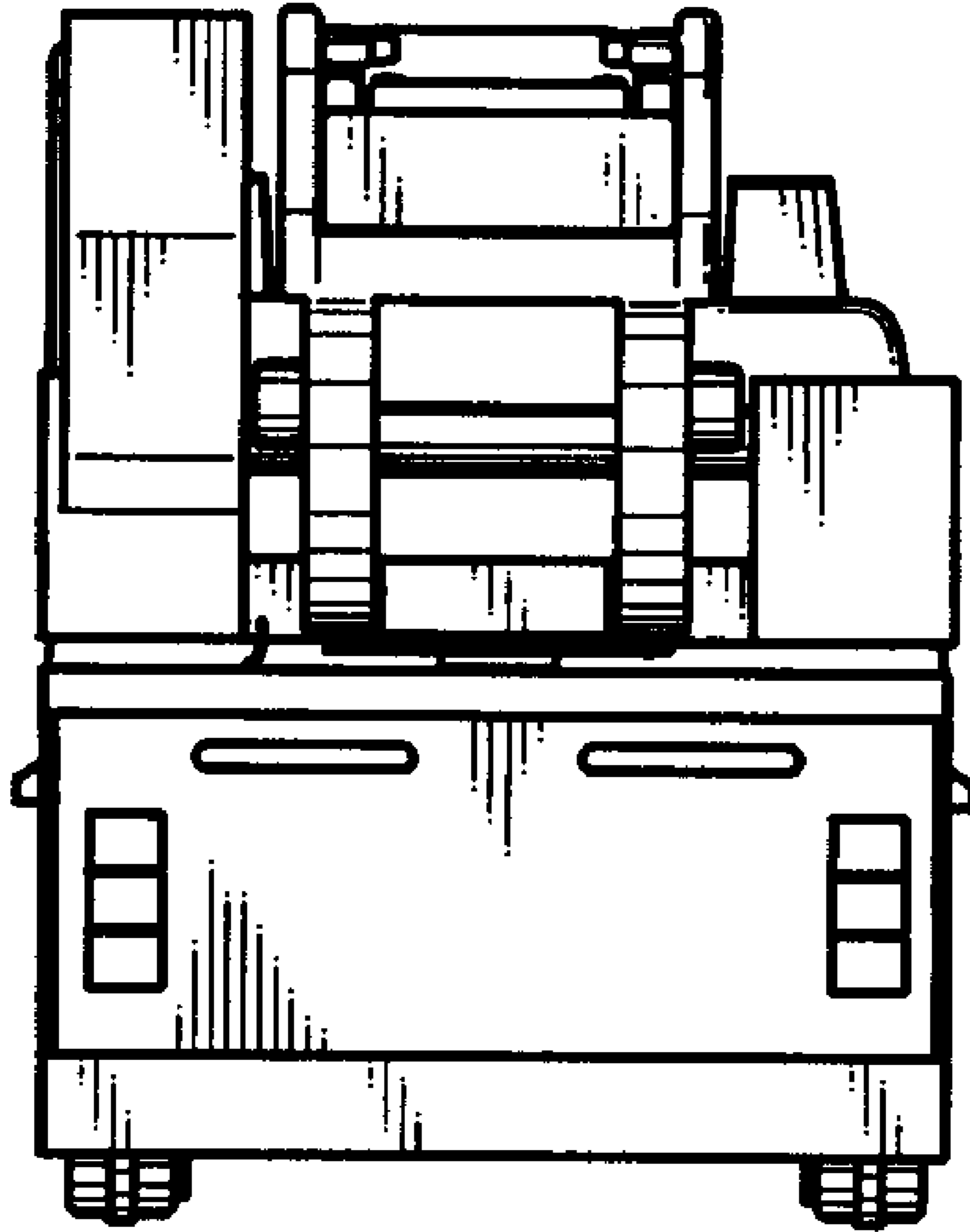
FIG. 1 is a front view of the toy vehicle showing the design; FIG. 2 is a rear view thereof; FIG. 3 is a right side view thereof; FIG. 4 is a left side view thereof; FIG. 5 is a top plan view thereof; FIG. 6 is a bottom plan view thereof; and, FIG. 7 is a reduced perspective view thereof, showing a ladder extended and the side compartment opened.

**1 Claim, 7 Drawing Sheets**

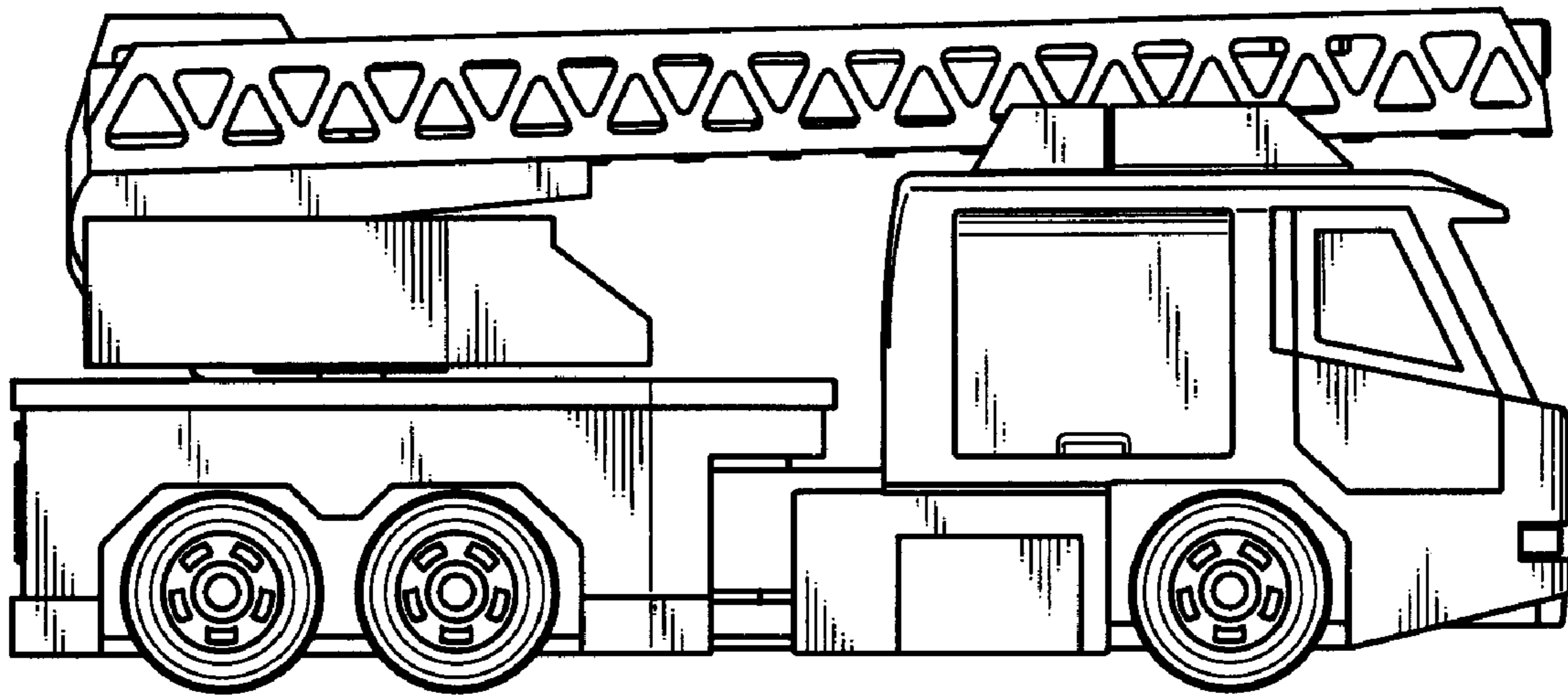




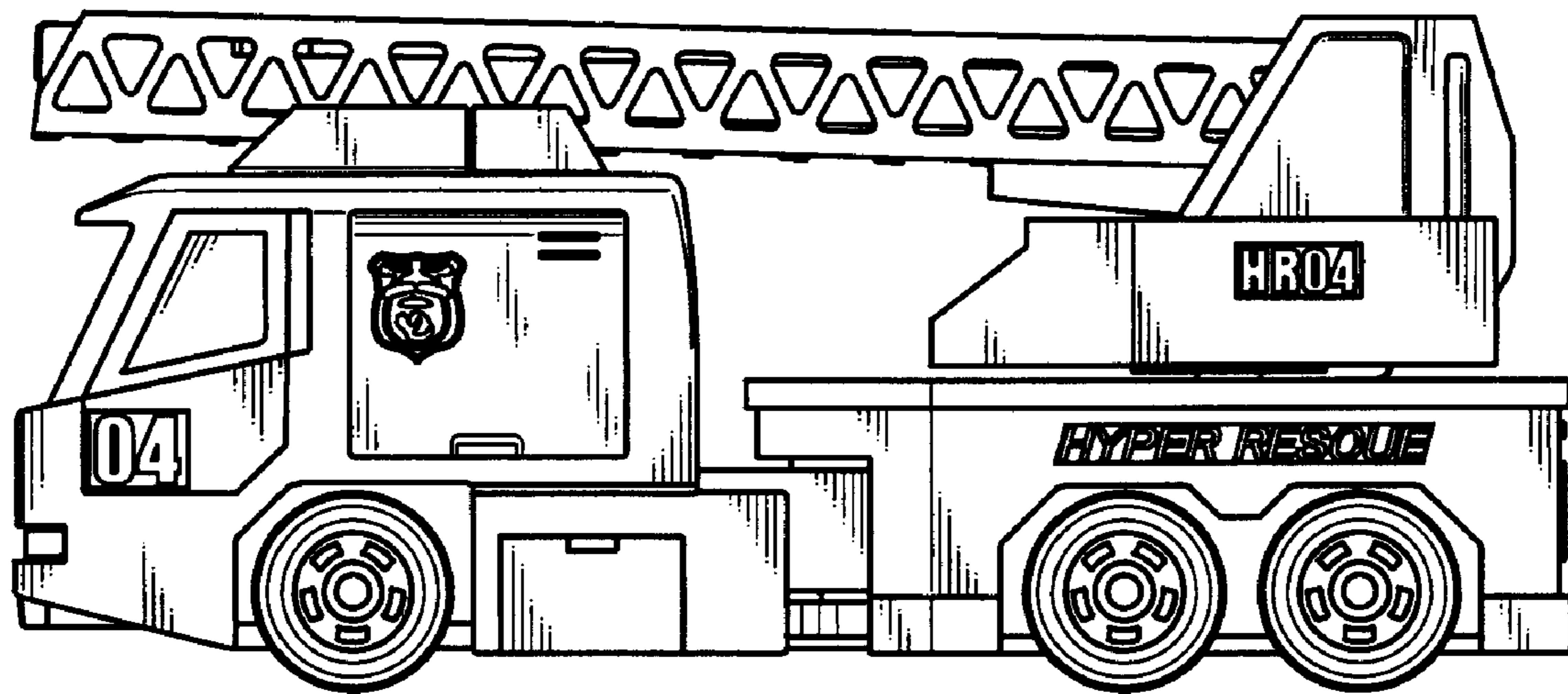
***FIG 1***



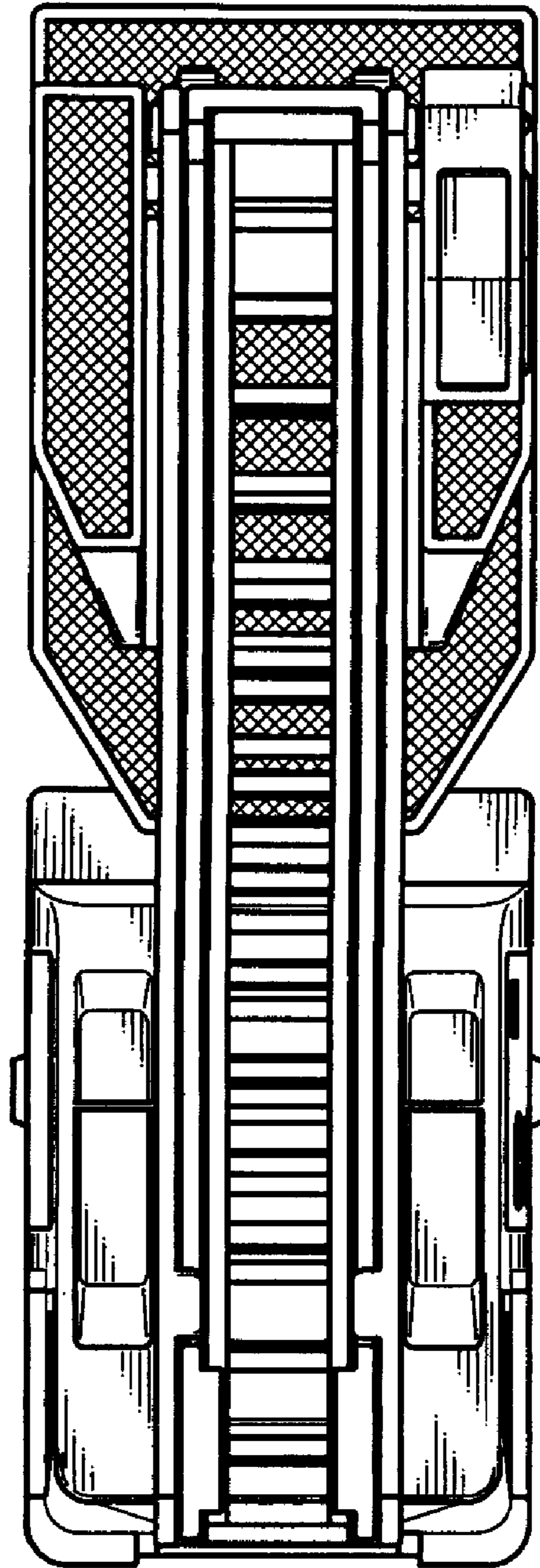
***FIG 2***



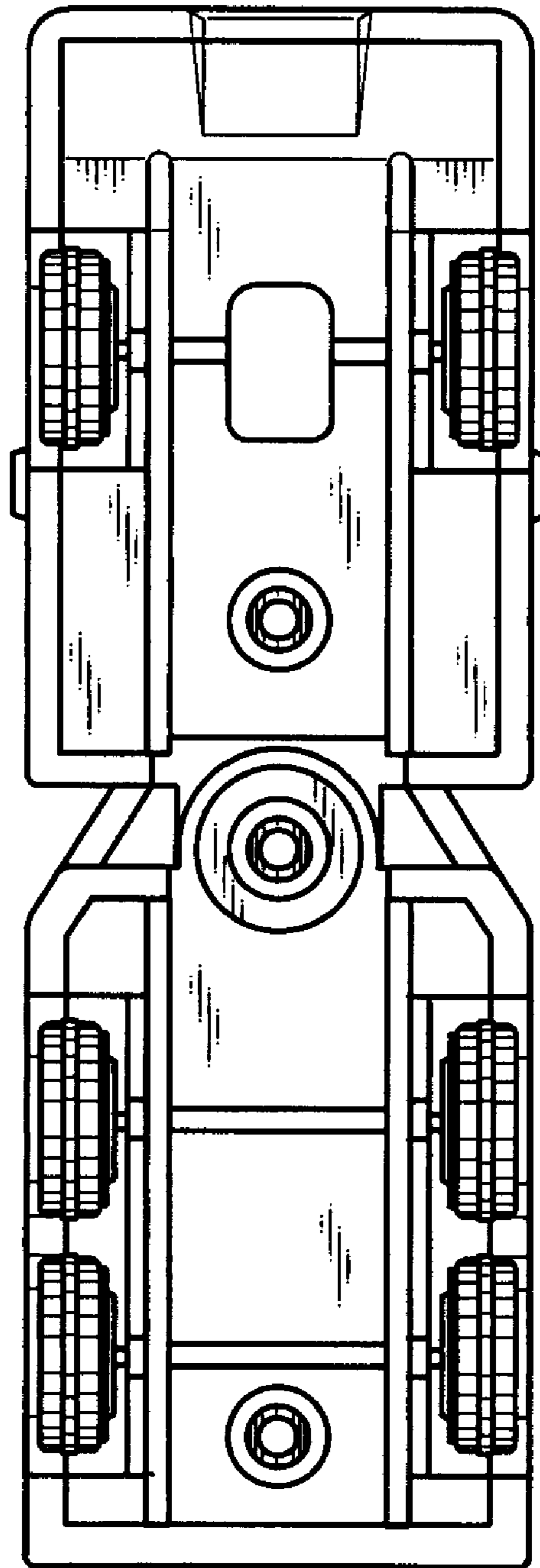
***FIG. 3***



***FIG. 4***

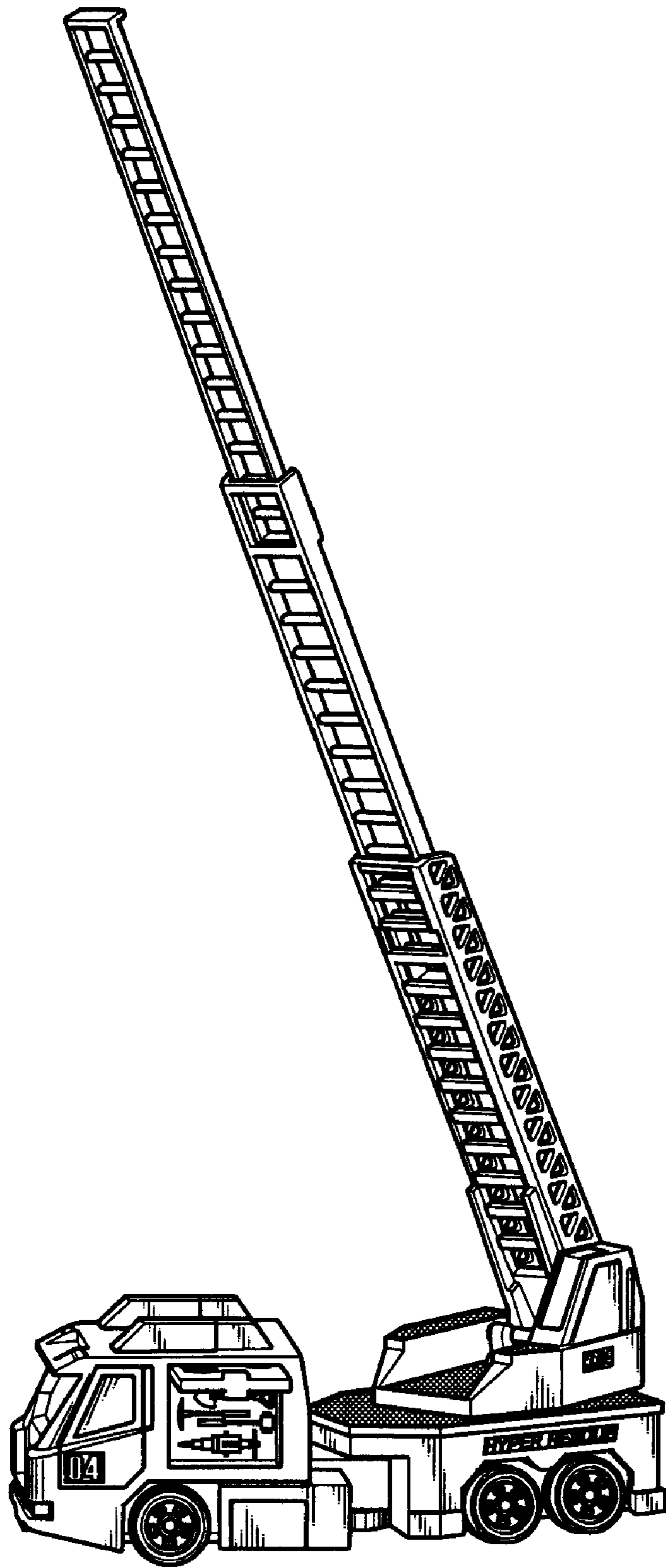


**FIG 5**



**FIG 6**





**FIG 7**