

US00D547394S

(12) **United States Design Patent**
Toft

(10) **Patent No.:** **US D547,394 S**

(45) **Date of Patent:** **** Jul. 24, 2007**

(54) **TOY CONSTRUCTION SET ELEMENT**

D382,025 S * 8/1997 Doi et al. D21/528
D395,064 S * 6/1998 Pagel D21/484

(75) Inventor: **Uffe Toft**, Arhus (DK)

* cited by examiner

(73) Assignee: **Interlego AG**, Baar (CH)

Primary Examiner—Holly H. Baynham

Assistant Examiner—Cynthia M. Chin

(**) Term: **14 Years**

(74) *Attorney, Agent, or Firm*—Day Pitney LLP

(21) Appl. No.: **29/235,704**

(57) **CLAIM**

(22) Filed: **Aug. 4, 2005**

The ornamental design for a toy construction set element, as shown and described.

(30) **Foreign Application Priority Data**

Jul. 2, 2005 (EM) 000290374

DESCRIPTION

(51) **LOC (8) Cl.** **21-01**

FIG. 1 is a top-front perspective view of the toy construction set element of my design;

(52) **U.S. Cl.** **D21/484**

FIG. 2 is a bottom-rear perspective view thereof;

(58) **Field of Classification Search** D21/483-497,

D21/499-506, 562; 446/69, 85, 101-128,

446/466, 469, 470; 434/403

FIG. 3 is a bottom plan view;

See application file for complete search history.

FIG. 4 is a right side elevational view;

FIG. 5 is a top plan view;

(56) **References Cited**

U.S. PATENT DOCUMENTS

4,710,148 A * 12/1987 Nagaoka 446/464

D317,023 S * 5/1991 Tachikawa D21/538

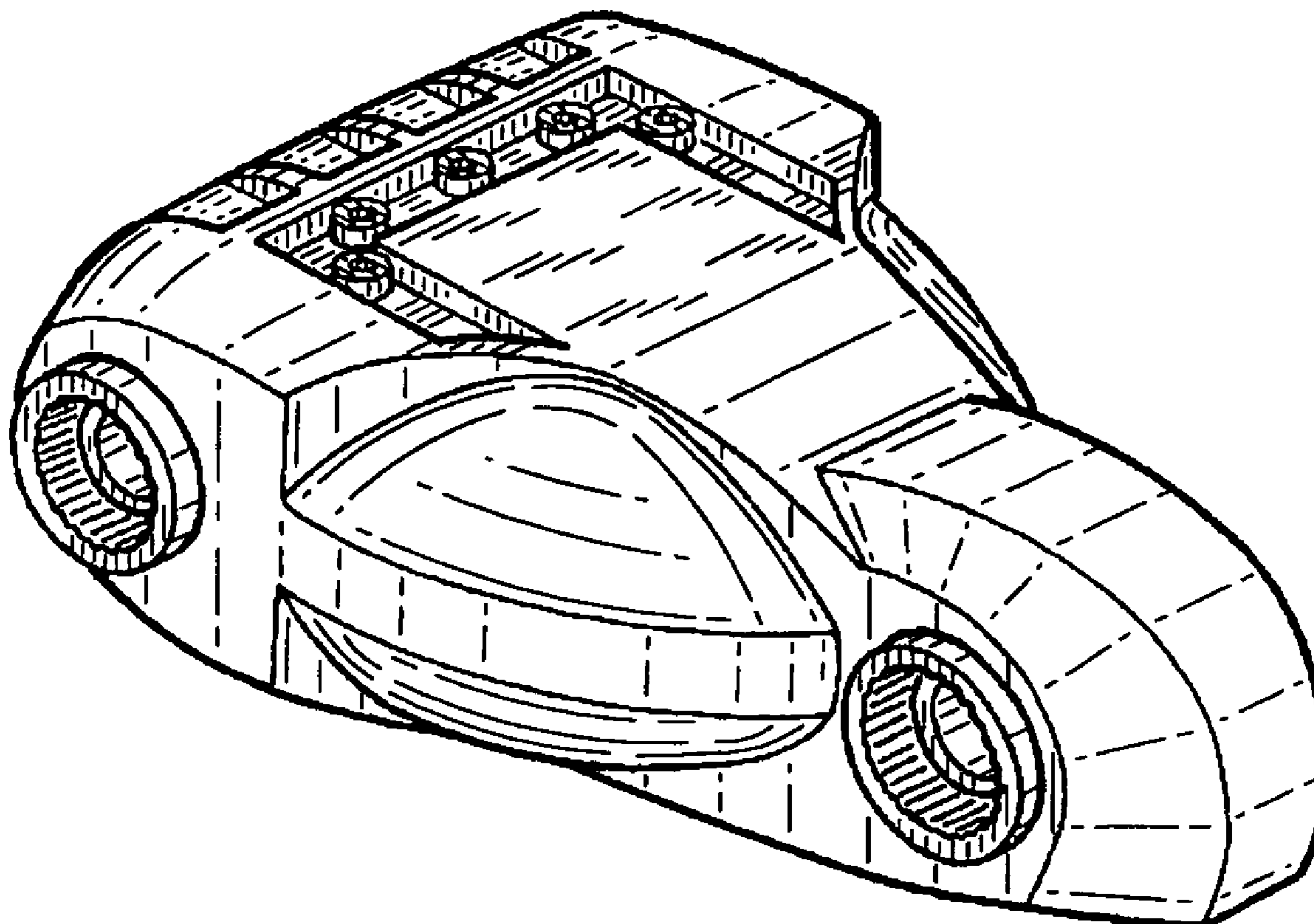
D344,552 S 2/1994 Berggreen

FIG. 6 is a left side elevational view;

FIG. 7 is a rear view thereof; and,

FIG. 8 is a front view thereof.

1 Claim, 4 Drawing Sheets



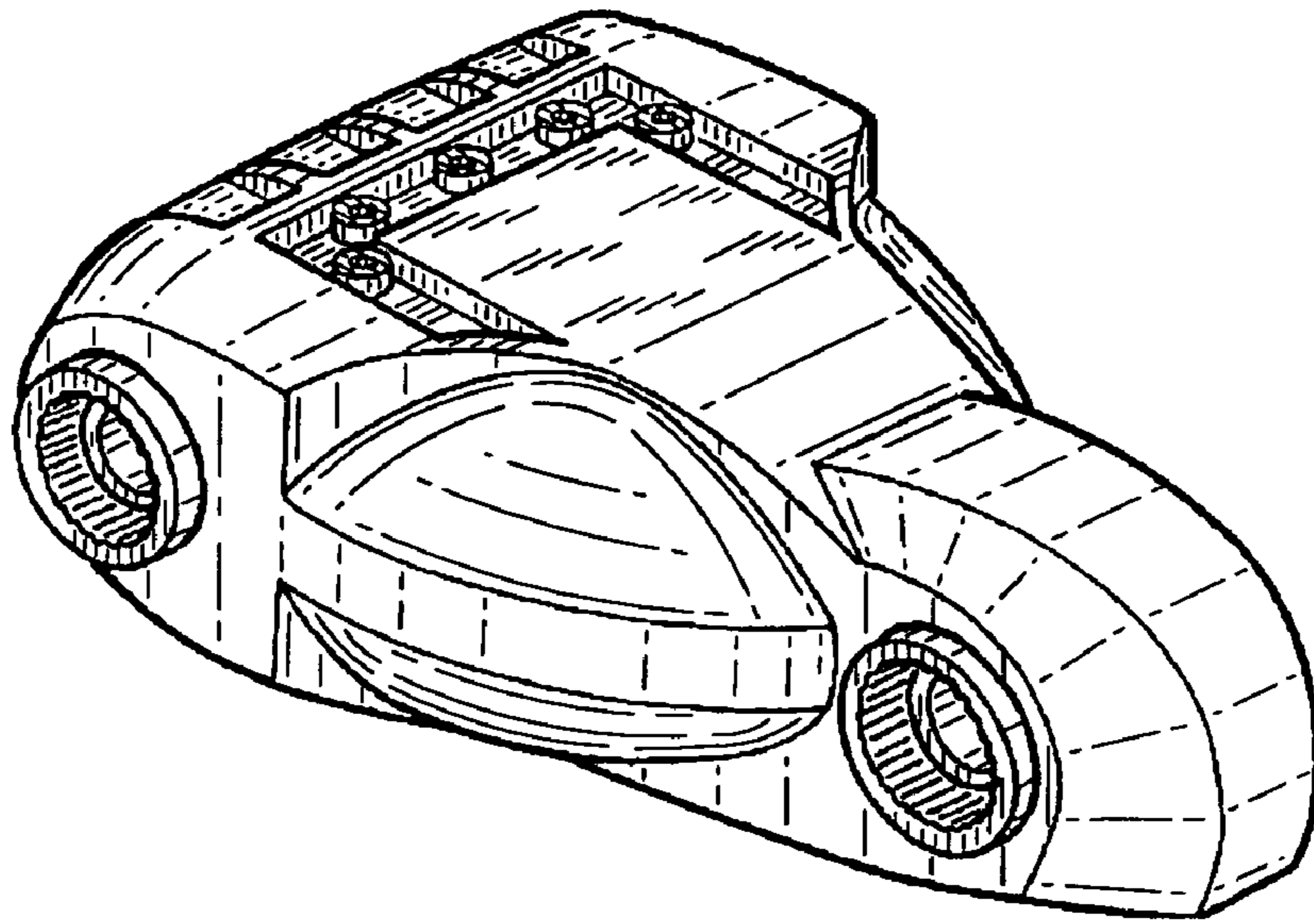


FIG. 1

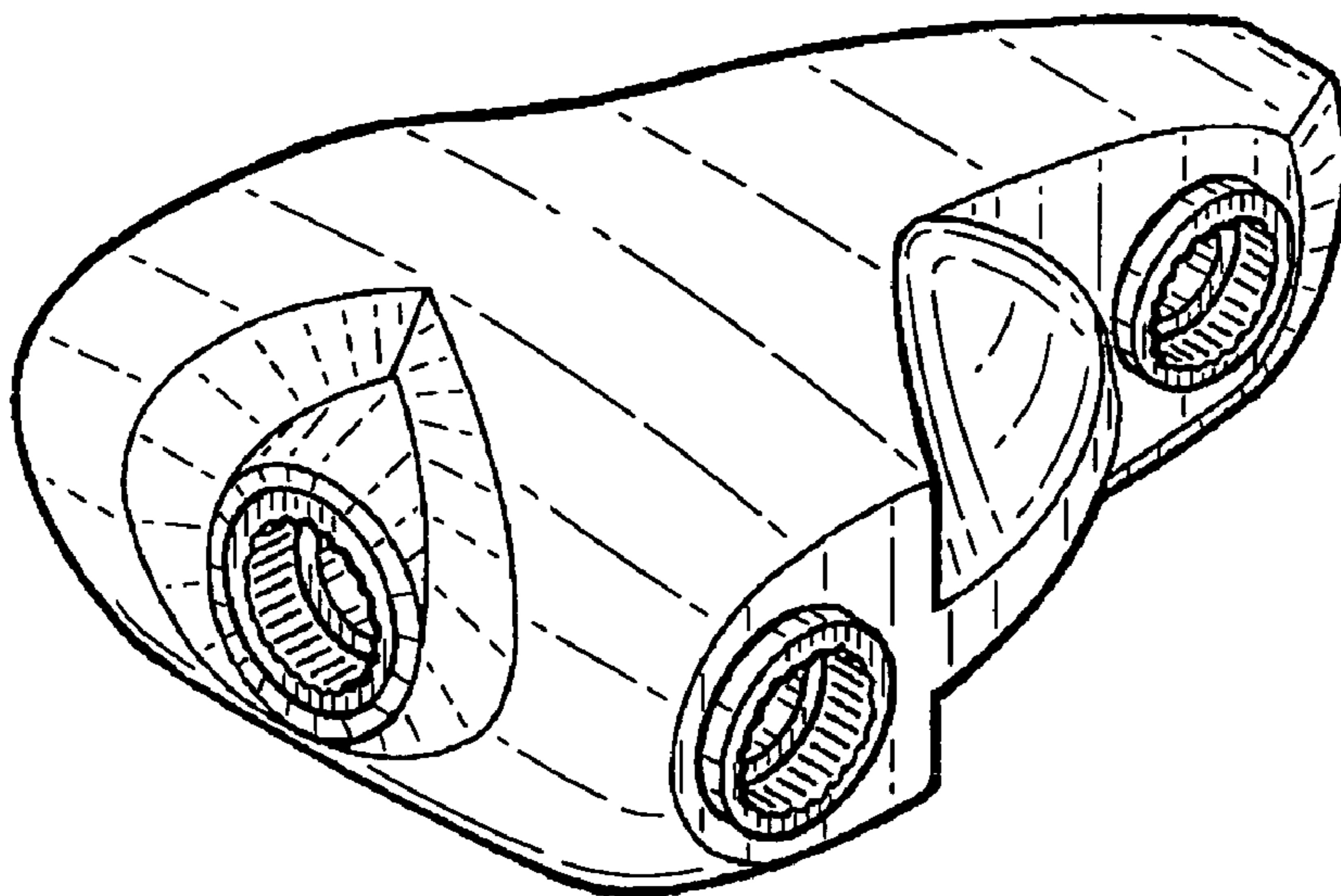


FIG. 2

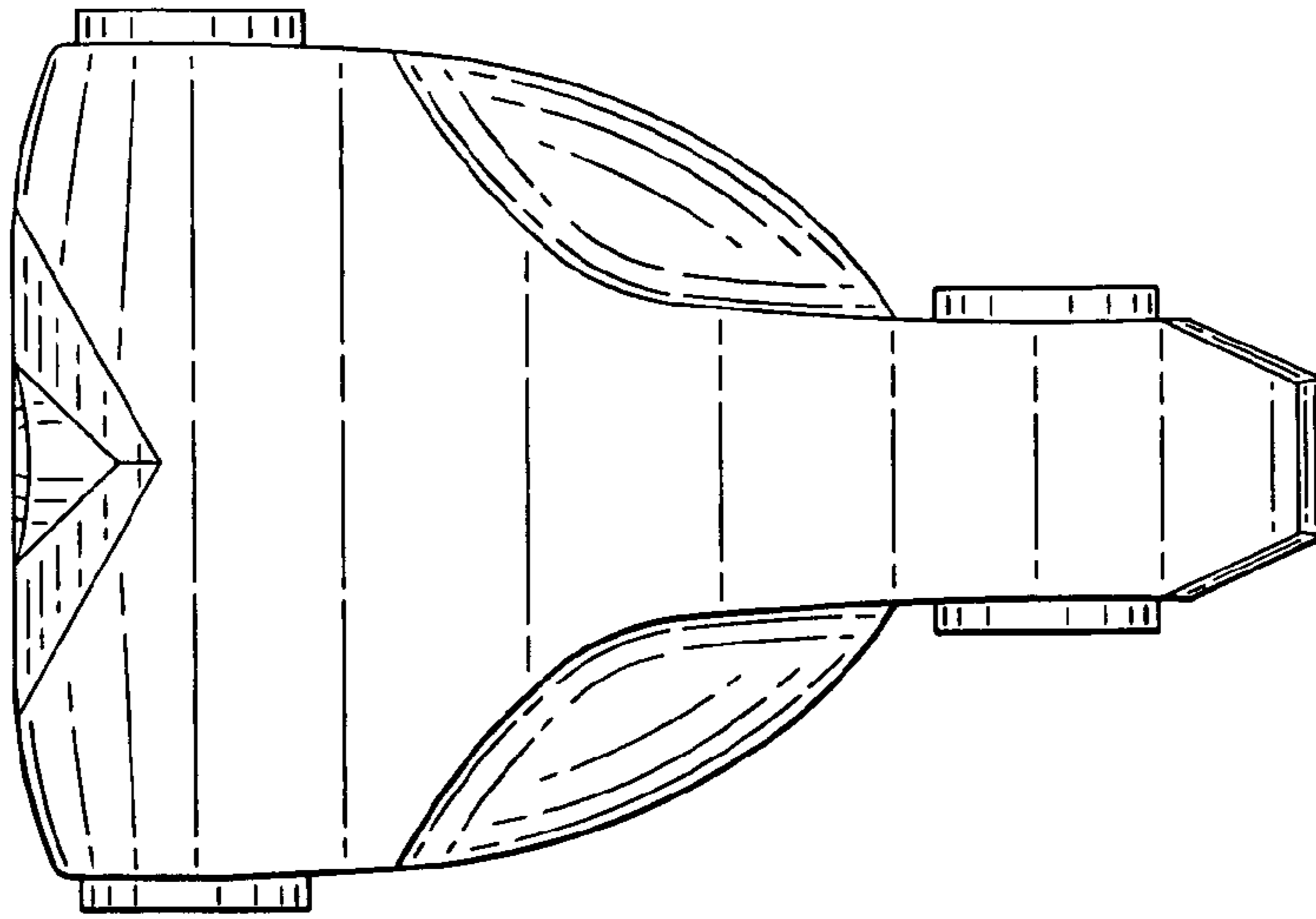


FIG. 3

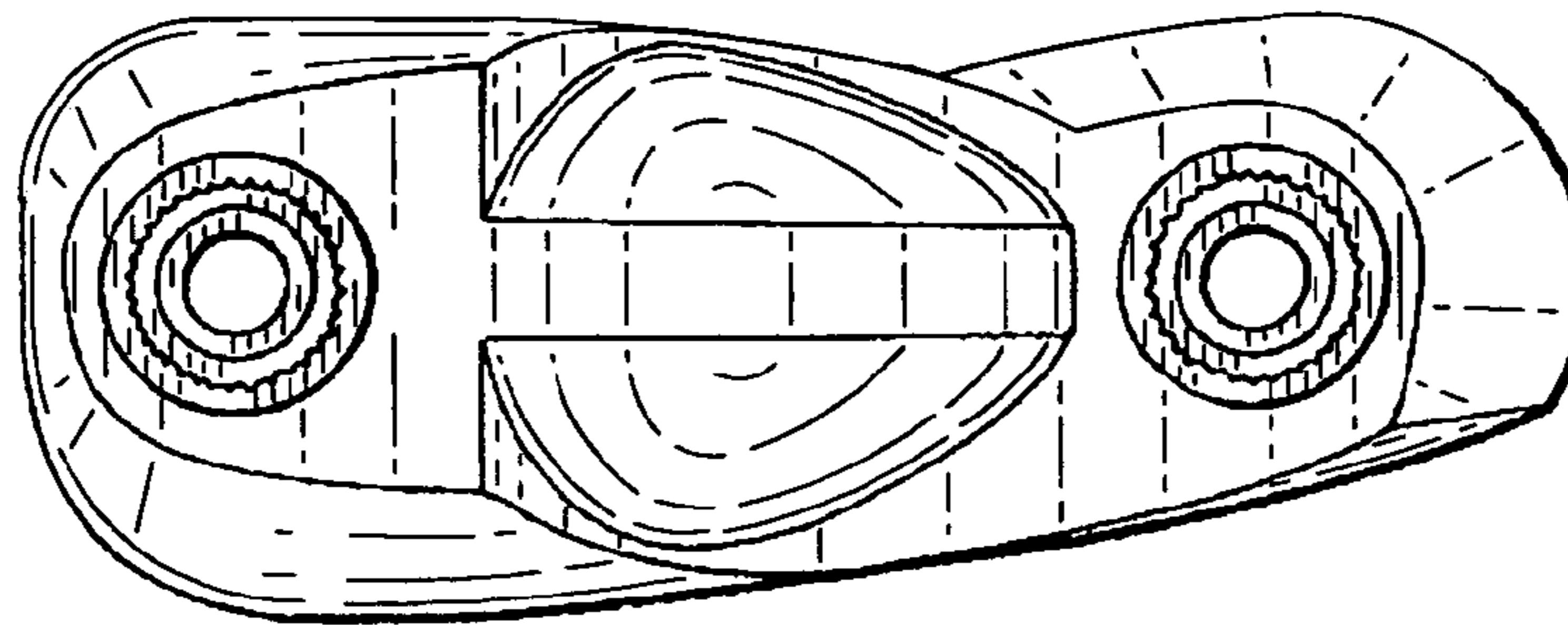


FIG. 4

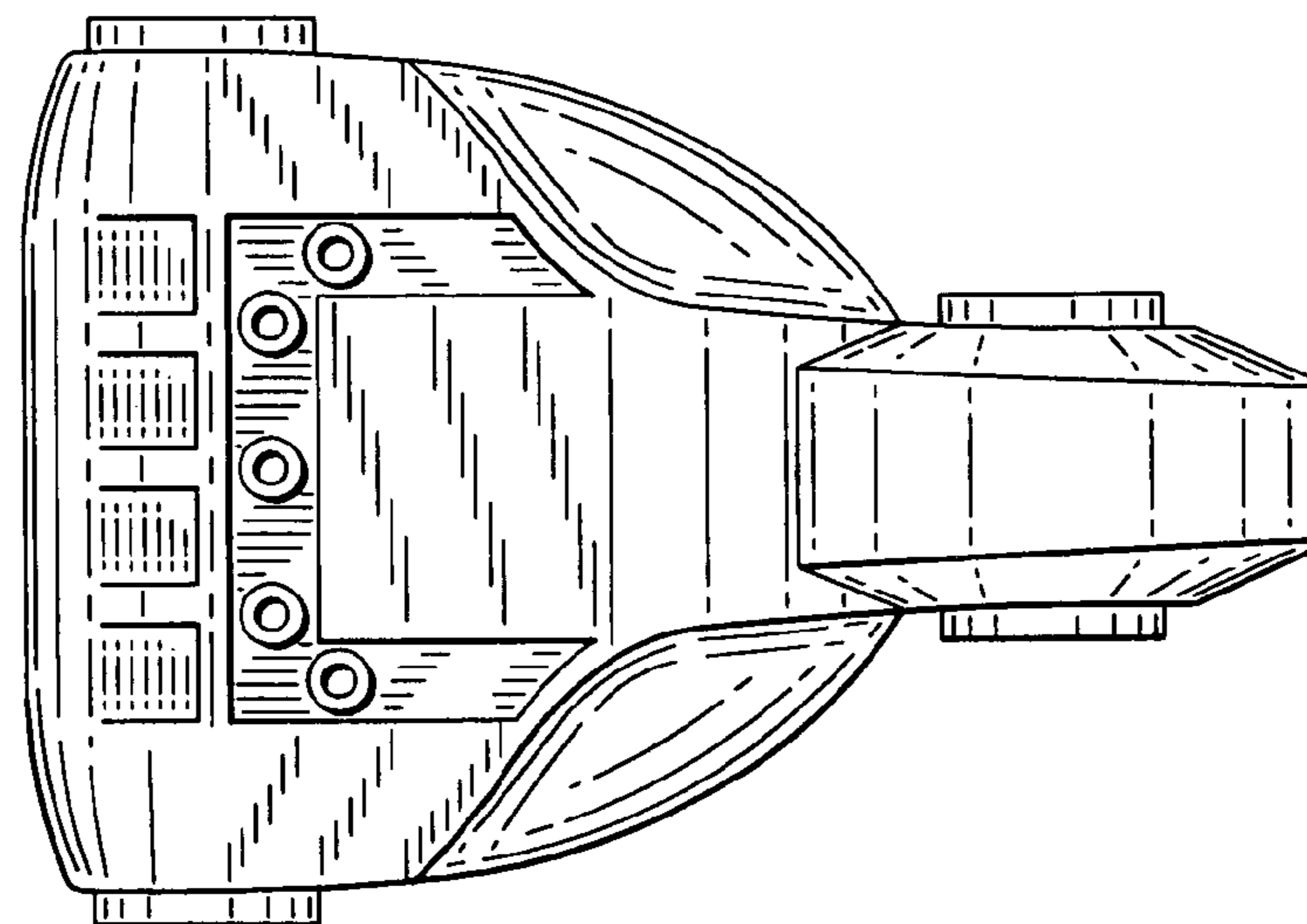


FIG. 5

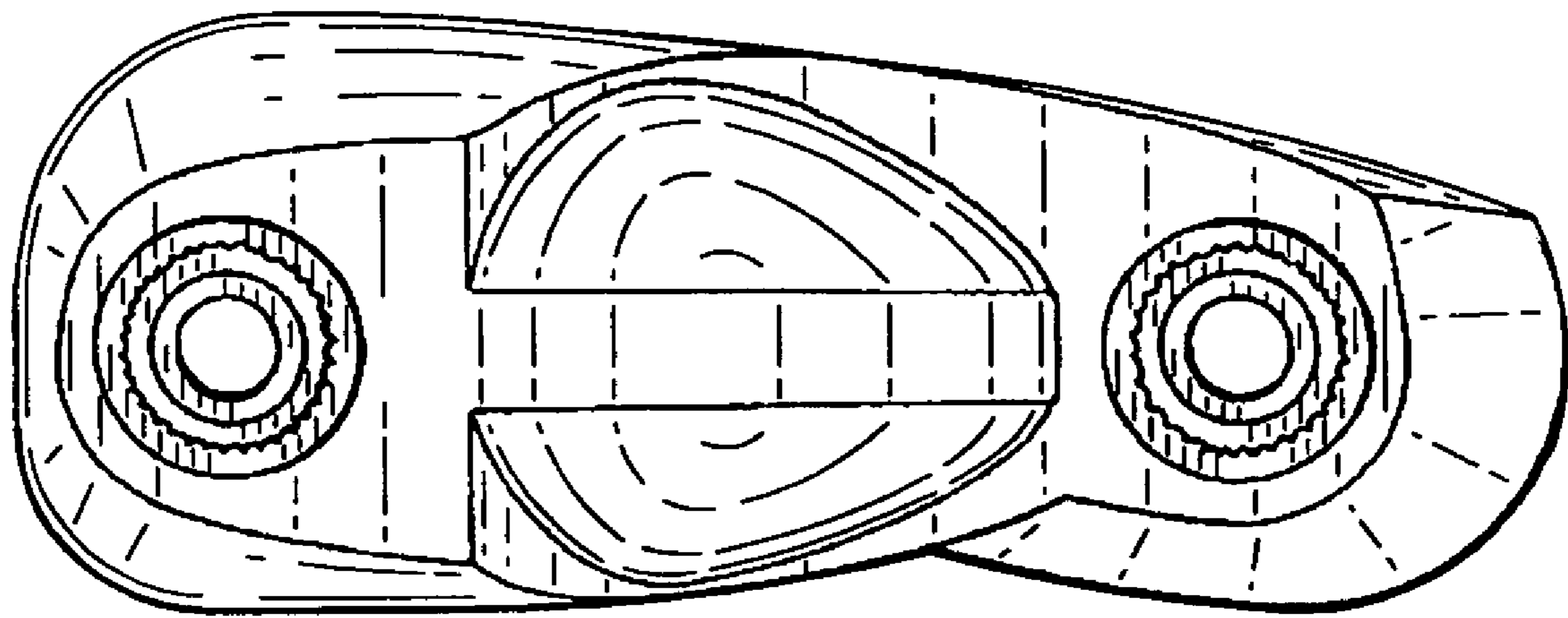


FIG. 6

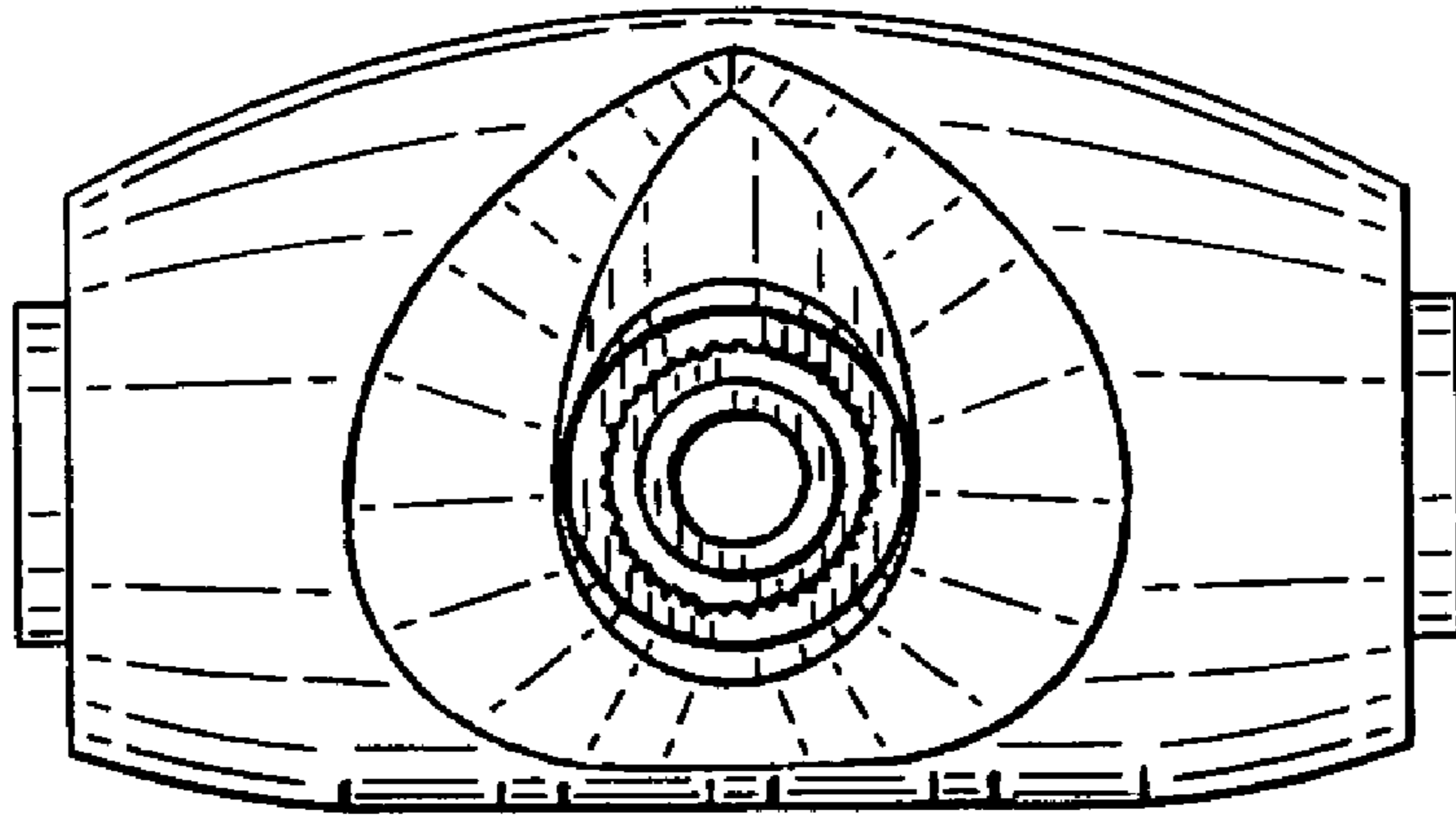


FIG. 7

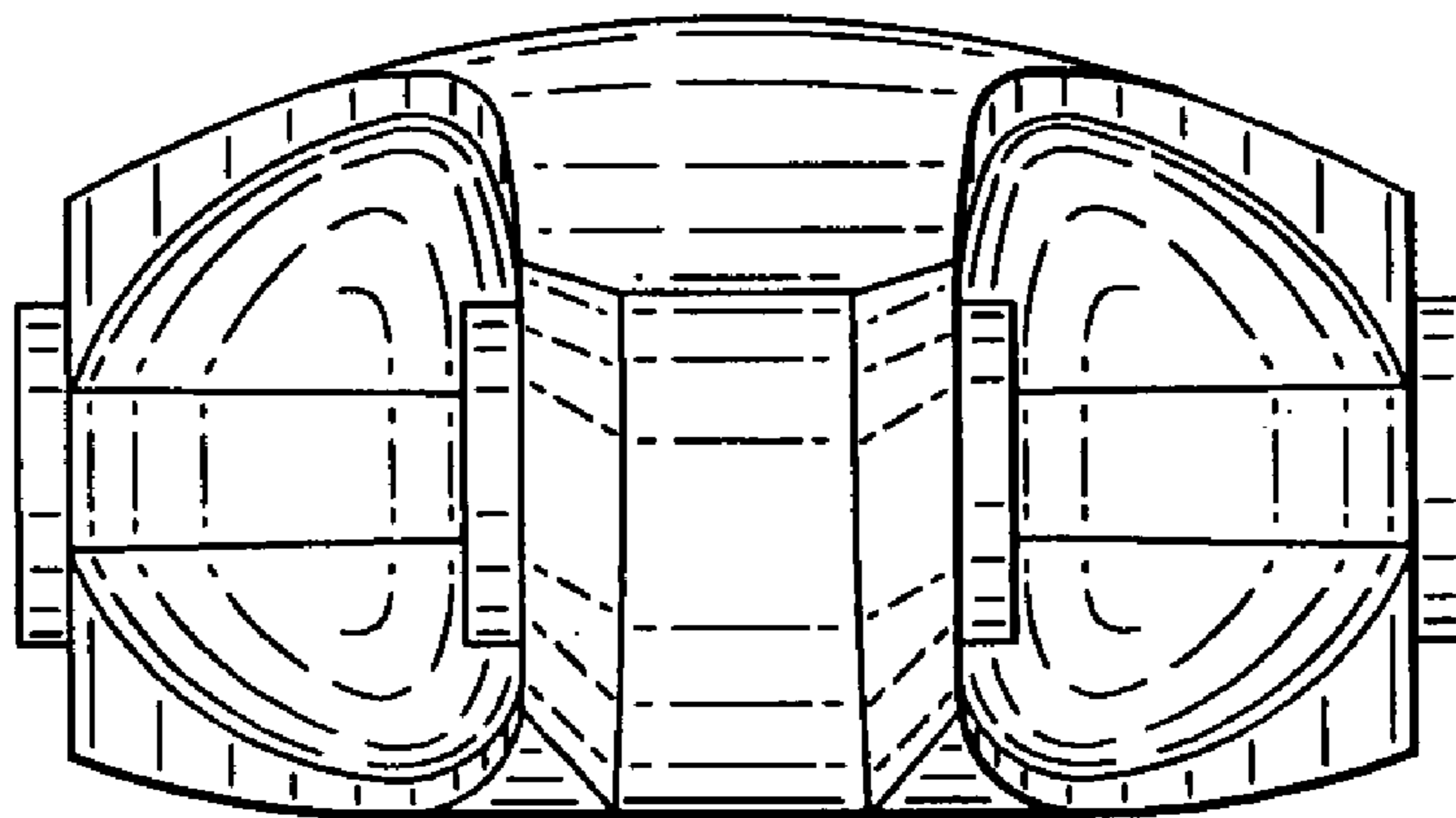


FIG. 8