

US00D547393S

(12) **United States Design Patent**
Johnson et al.

(10) **Patent No.:** **US D547,393 S**

(45) **Date of Patent:** **** Jul. 24, 2007**

(54) **TOY CAR**

(75) Inventors: **Mark Johnson**, Cary, IL (US); **Thomas Schlegel**, Wheaton, IL (US); **Greg Gaw**, Chicago, IL (US); **Earle Cramer**, Chicago, IL (US)

(73) Assignee: **Radio Flyer, Inc.**, Chicago, IL (US)

(**) Term: **14 Years**

(21) Appl. No.: **29/264,103**

(22) Filed: **Aug. 3, 2006**

(51) **LOC (8) Cl.** **21-02**

(52) **U.S. Cl.** **D21/433**

(58) **Field of Classification Search** D21/419,
D21/423-427, 433, 435, 534; D12/129;
280/1.023, 47.11, 87.01, 87.021, 263, 288.1,
280/828; 446/468, 471

See application file for complete search history.

(56) **References Cited**

U.S. PATENT DOCUMENTS

D290,027 S * 5/1987 Mariol D21/435
D388,027 S * 12/1997 Polak et al. D12/129

D388,132 S * 12/1997 Maxwell et al. D21/424
D388,367 S * 12/1997 Polak et al. D12/129
D432,185 S * 10/2000 Hulst D21/433
D446,827 S * 8/2001 You et al. D21/424
D458,314 S * 6/2002 Allemeier D21/433
D533,603 S * 12/2006 Chung D21/433

* cited by examiner

Primary Examiner—Holly H. Baynham

Assistant Examiner—Cynthia M. Chin

(74) *Attorney, Agent, or Firm*—DLA Piper US LLP

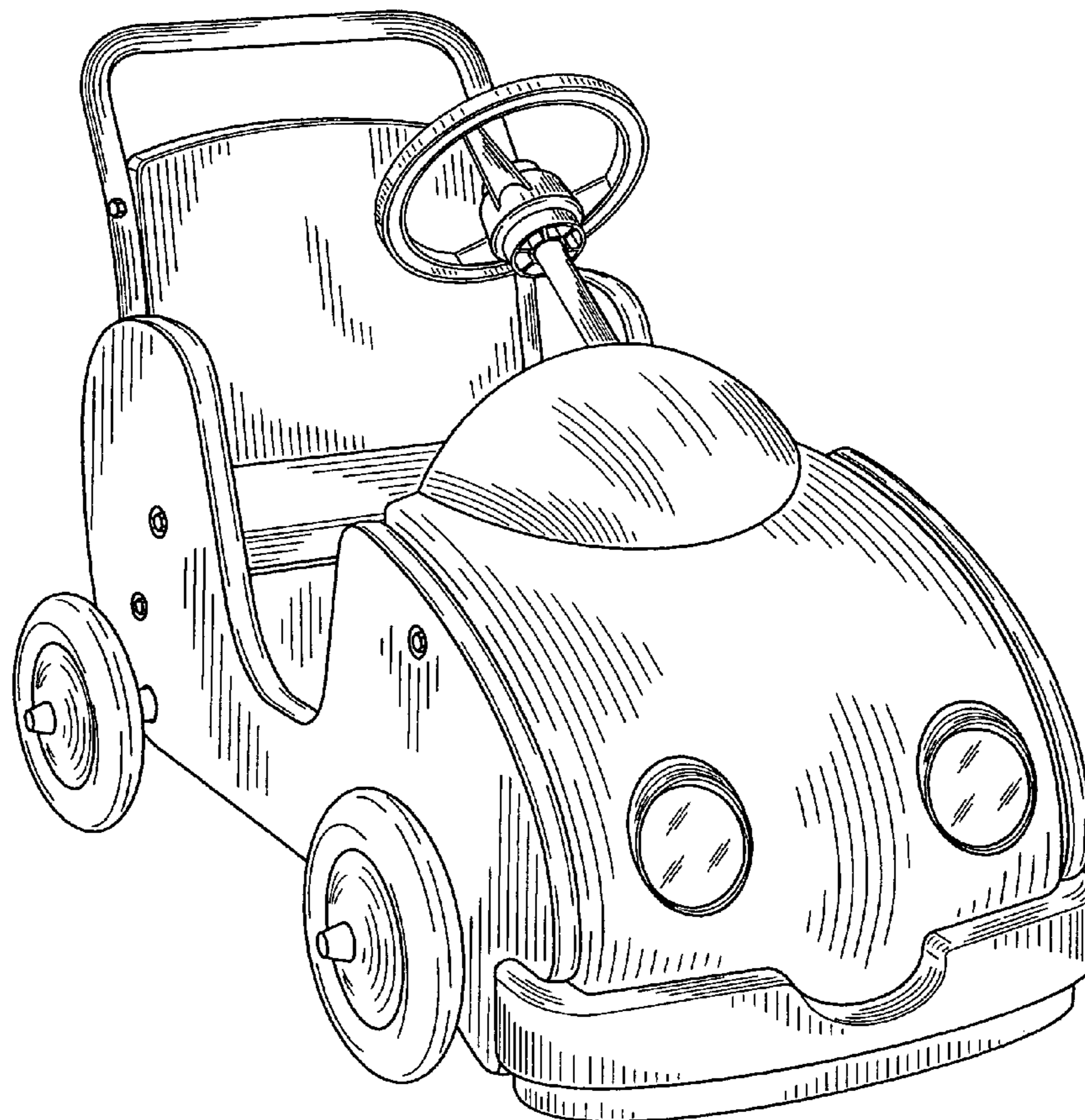
(57) **CLAIM**

The ornamental design for a toy car, as shown and described.

DESCRIPTION

FIG. 1 is a perspective view of the toy car;
FIG. 2 is a front elevational view of the toy car;
FIG. 3 is a rear elevational view of the toy car;
FIG. 4 is a side elevational view of the toy car, the opposite side of which is an identical mirror image;
FIG. 5 is a top plan view of the toy car; and,
FIG. 6 is a bottom plan view of the toy car.

1 Claim, 4 Drawing Sheets



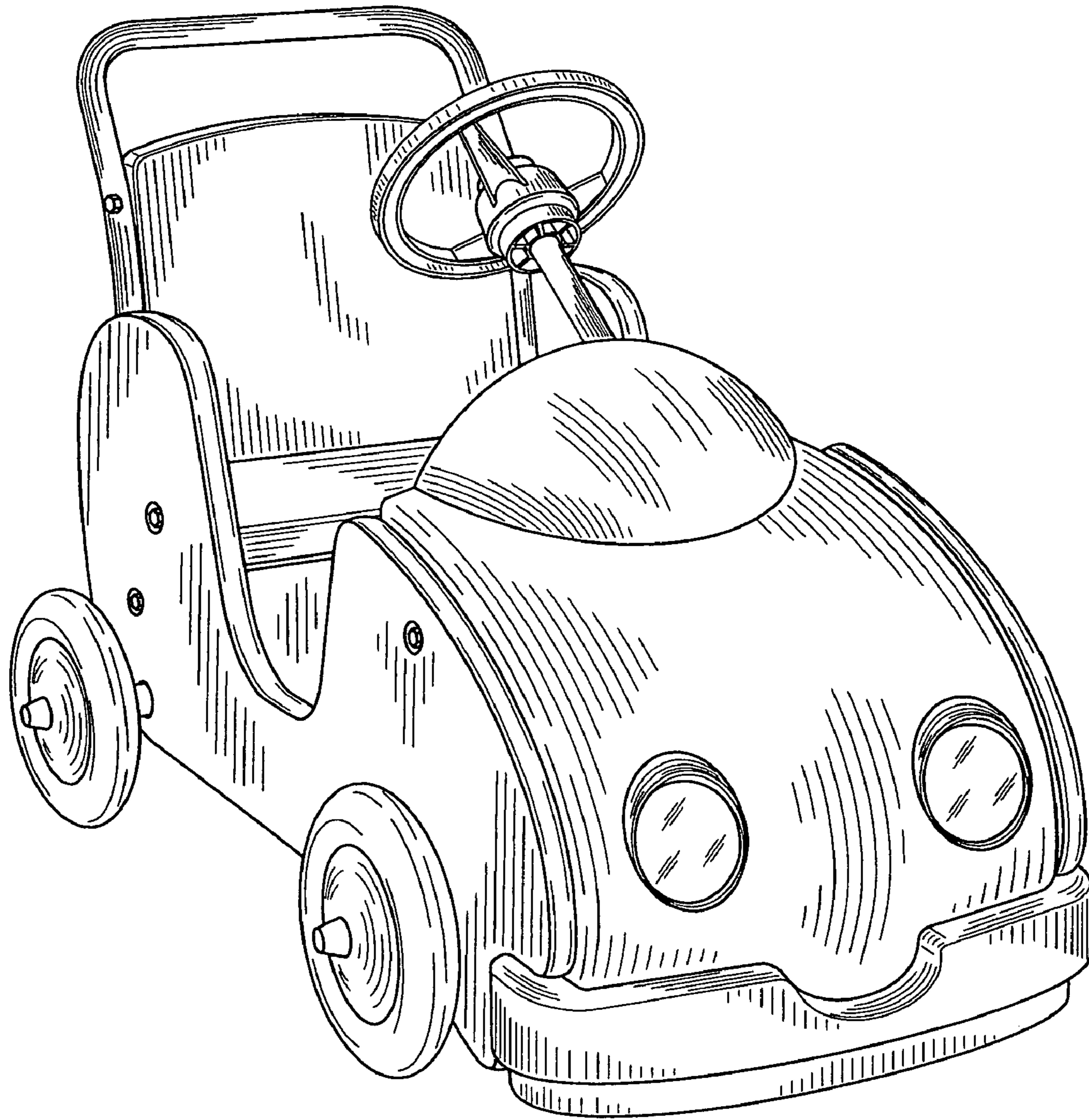


FIG. 1

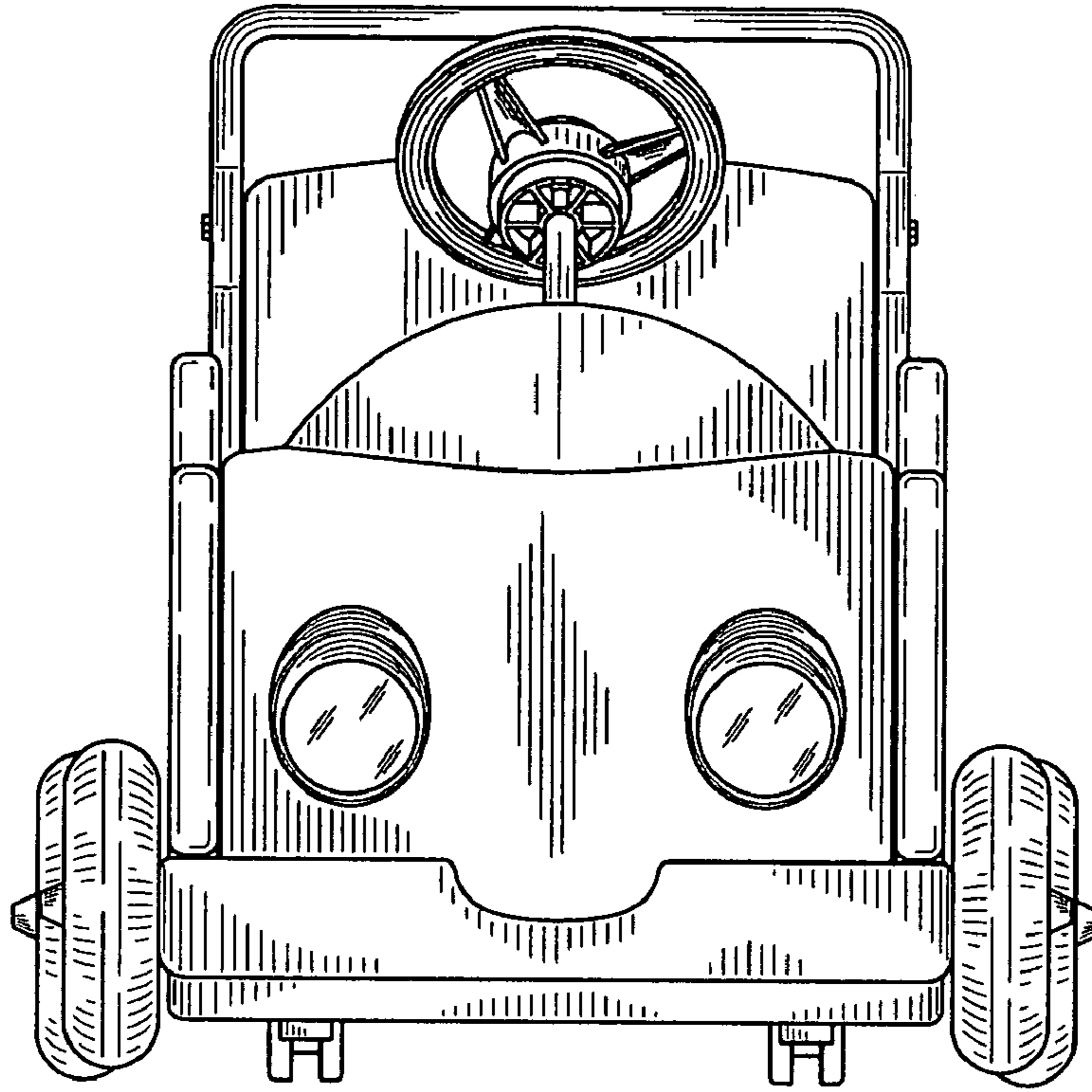


FIG. 2

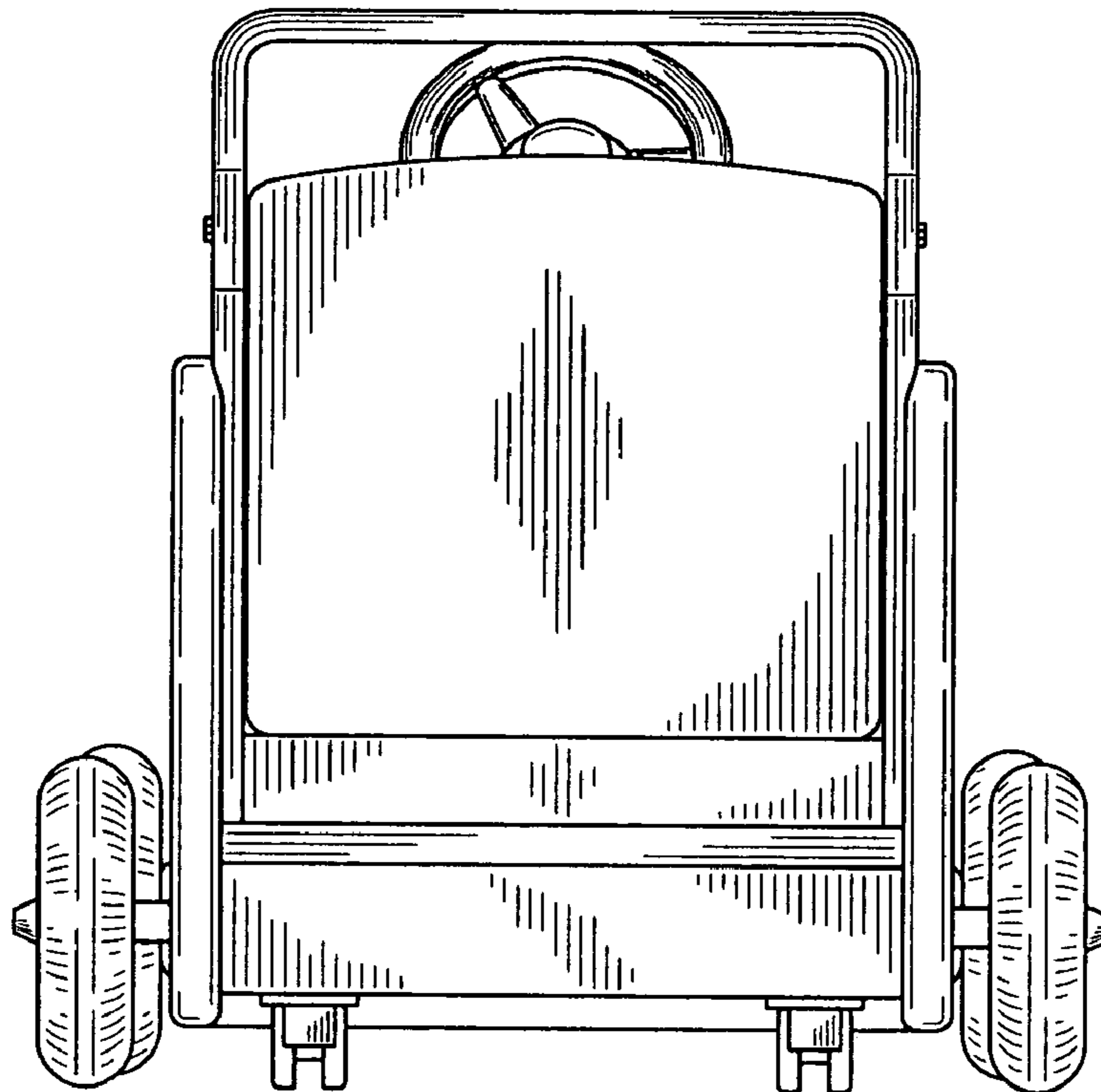


FIG. 3

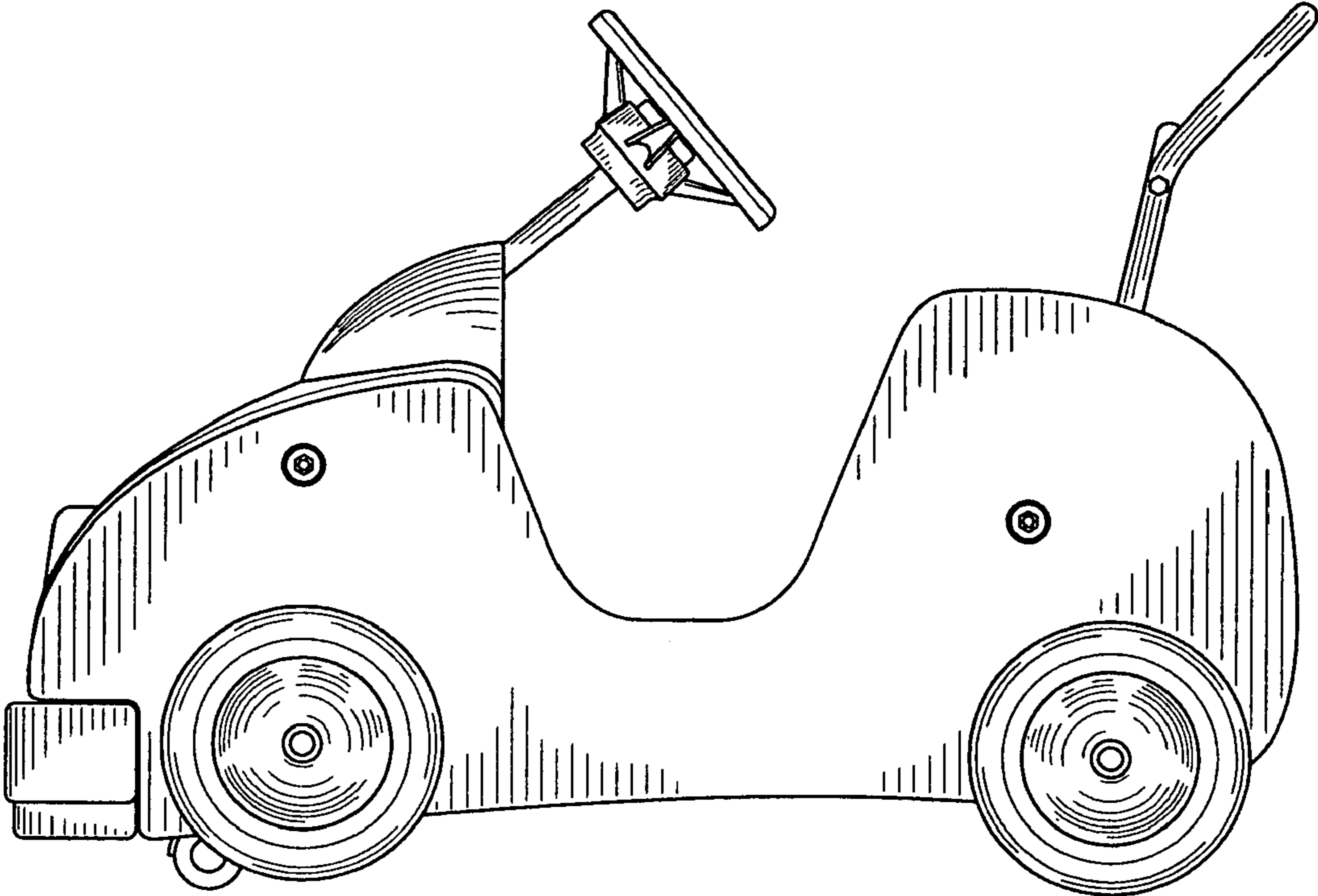


FIG. 4

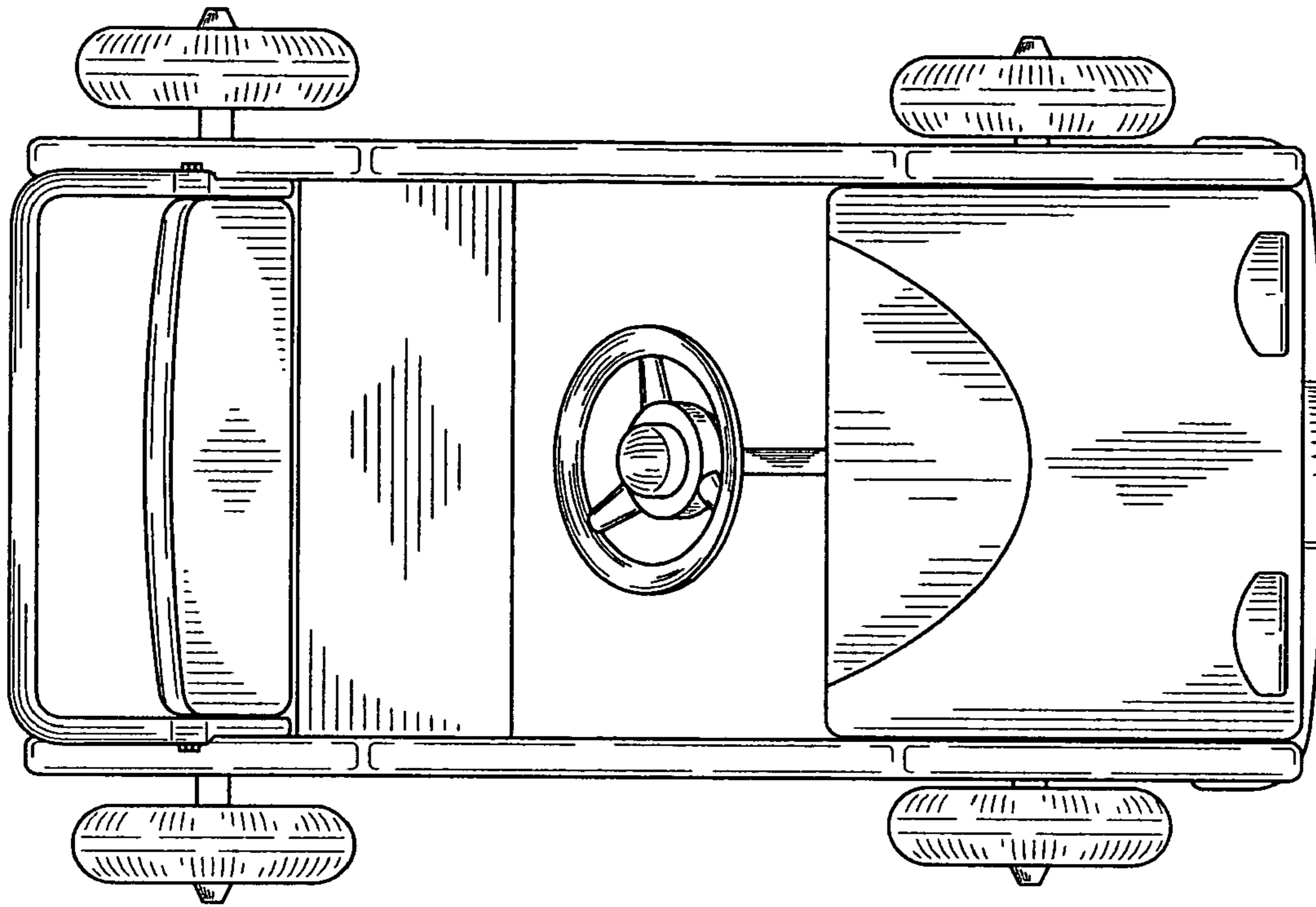


FIG. 5

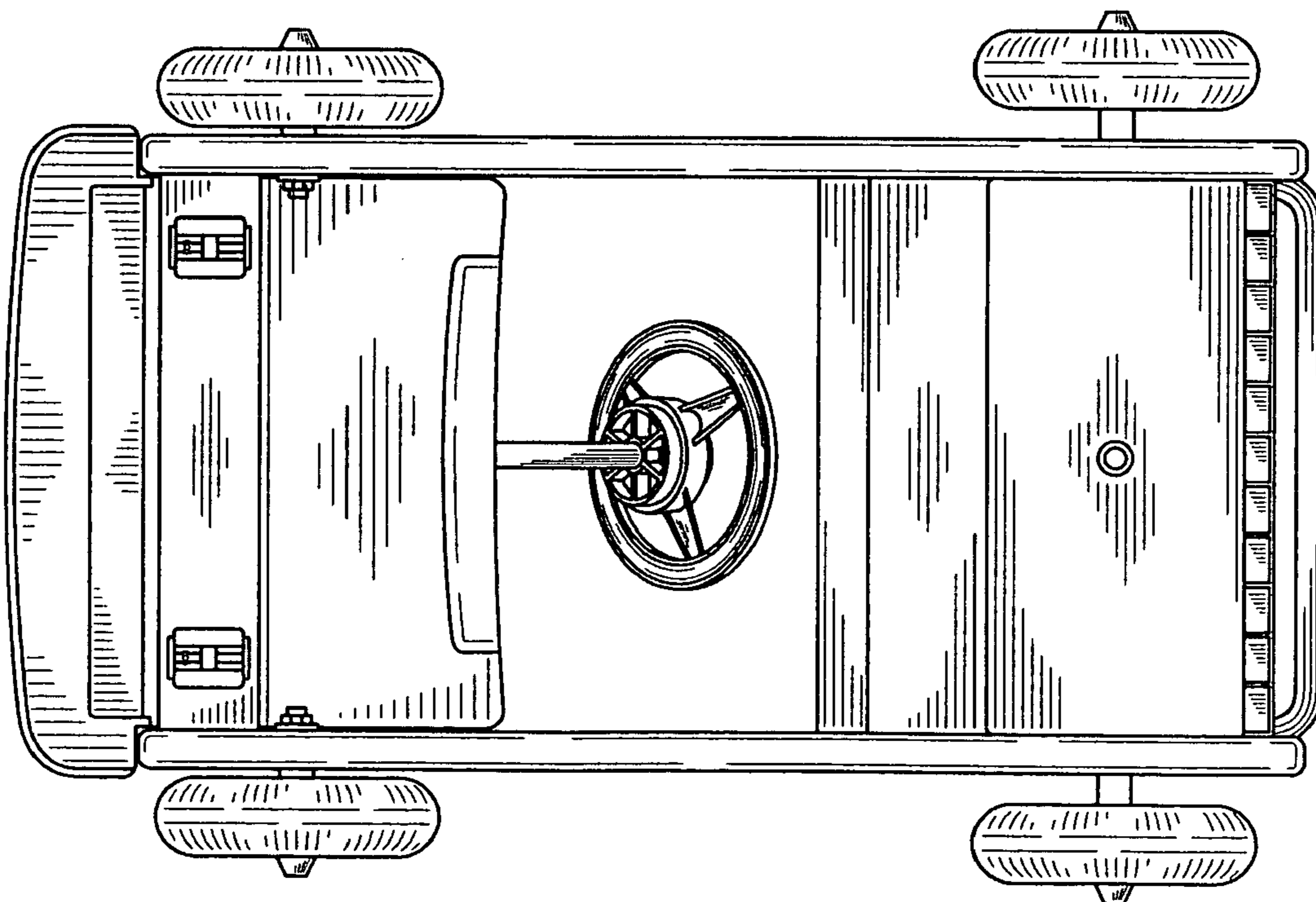


FIG. 6