



US00D547392S

(12) **United States Design Patent**
Johnson et al.

(10) **Patent No.:** **US D547,392 S**

(45) **Date of Patent:** **** Jul. 24, 2007**

(54) **TOY TOTE**

(75) Inventors: **Mark Johnson**, Cary, IL (US); **Thomas Schlegel**, Wheaton, IL (US); **Mark Kurth**, Chicago, IL (US)

(73) Assignee: **Radio Flyer, Inc.**, Chicago, IL (US)

(**) Term: **14 Years**

(21) Appl. No.: **29/264,105**

(22) Filed: **Aug. 3, 2006**

(51) **LOC (8) Cl.** **21-01**

(52) **U.S. Cl.** **D21/425**

(58) **Field of Classification Search** D21/419,
D21/424-426, 534-536; D12/17, 19, 20,
D12/129, 102, 105; 280/87.01, 87.021, 47.17,
280/47.25, 47.34, 47.4, 204

See application file for complete search history.

(56) **References Cited**

U.S. PATENT DOCUMENTS

D268,202 S * 3/1983 Corl D21/536
D285,322 S * 8/1986 Appel D21/425

D315,757 S * 3/1991 Klitsner D21/536
D345,768 S * 4/1994 Bro et al. D21/425
D369,629 S * 5/1996 Pasin et al. D21/425
D389,877 S * 1/1998 Pasin D21/425

* cited by examiner

Primary Examiner—Holly H. Baynham

Assistant Examiner—Cynthia M. Chin

(74) *Attorney, Agent, or Firm*—DLA Piper US LLP

(57) **CLAIM**

The ornamental design for a toy tote, as shown and described.

DESCRIPTION

FIG. 1 is a perspective view of the toy tote;

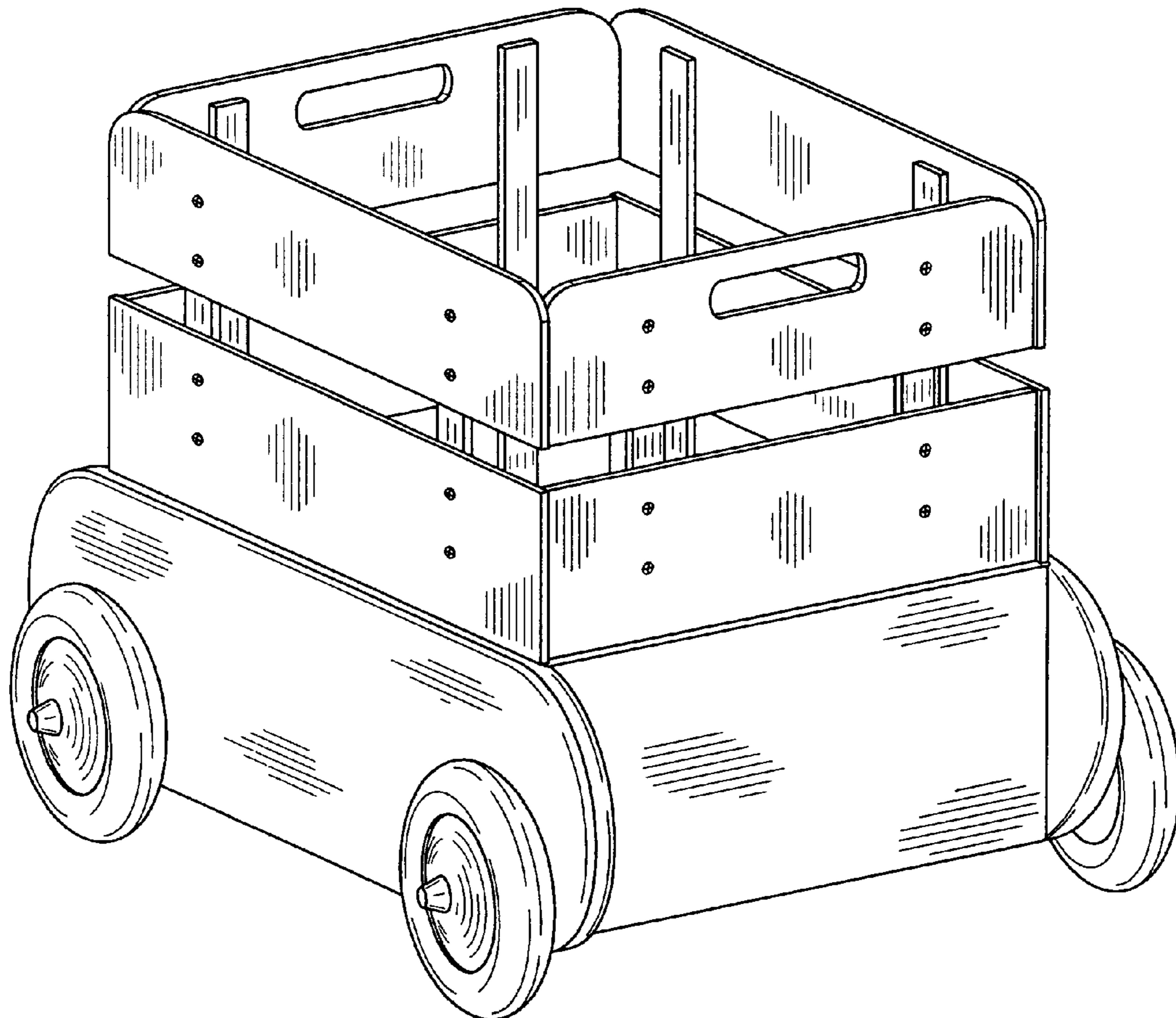
FIG. 2 is a front elevational view of the toy tote, the rear of which is identical;

FIG. 3 is a side elevational view of the toy tote, the opposite side of which is identical;

FIG. 4 is a top plan view of the toy tote; and,

FIG. 5 is a bottom plan view of the toy tote.

1 Claim, 5 Drawing Sheets



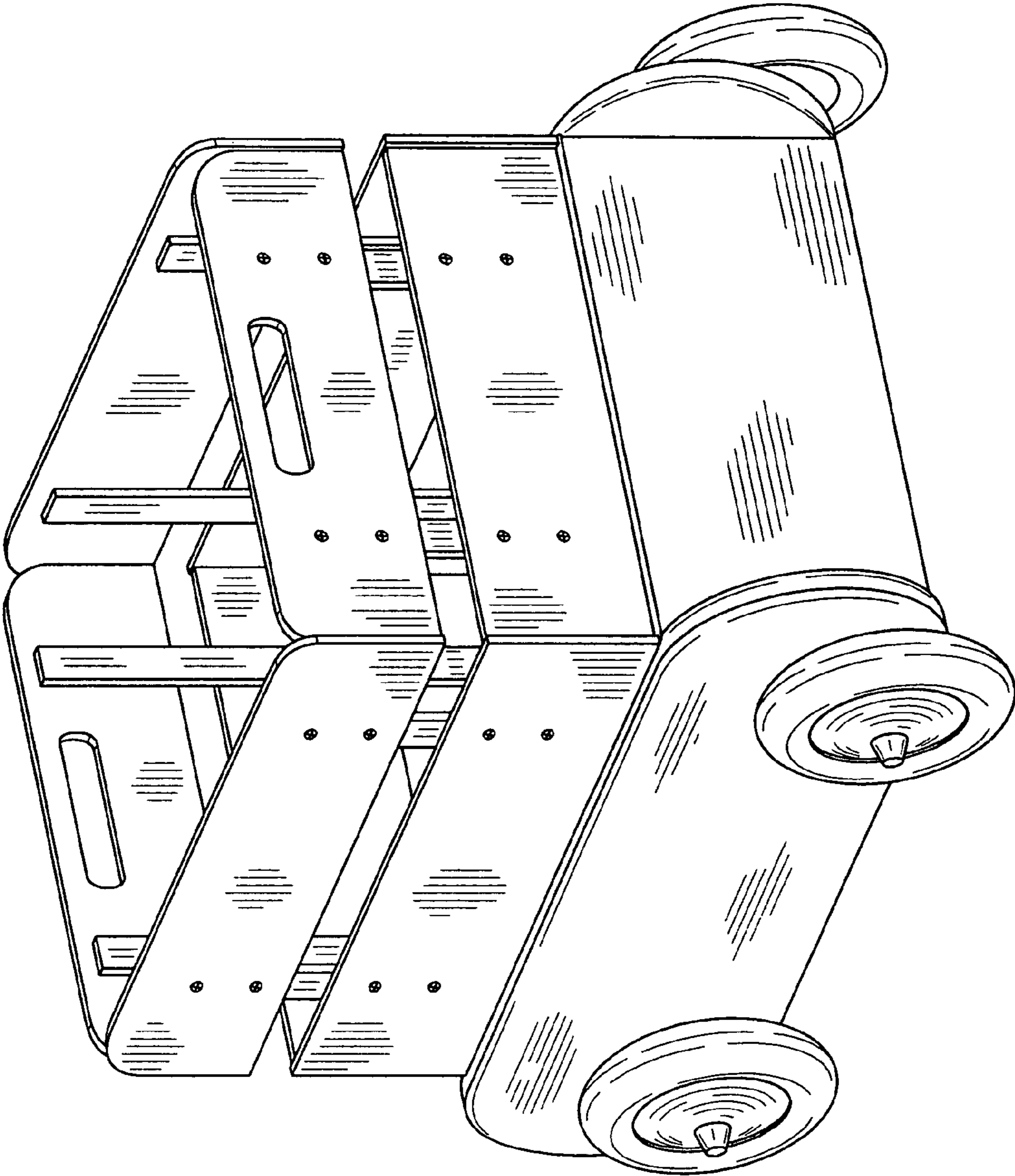


FIG. 1

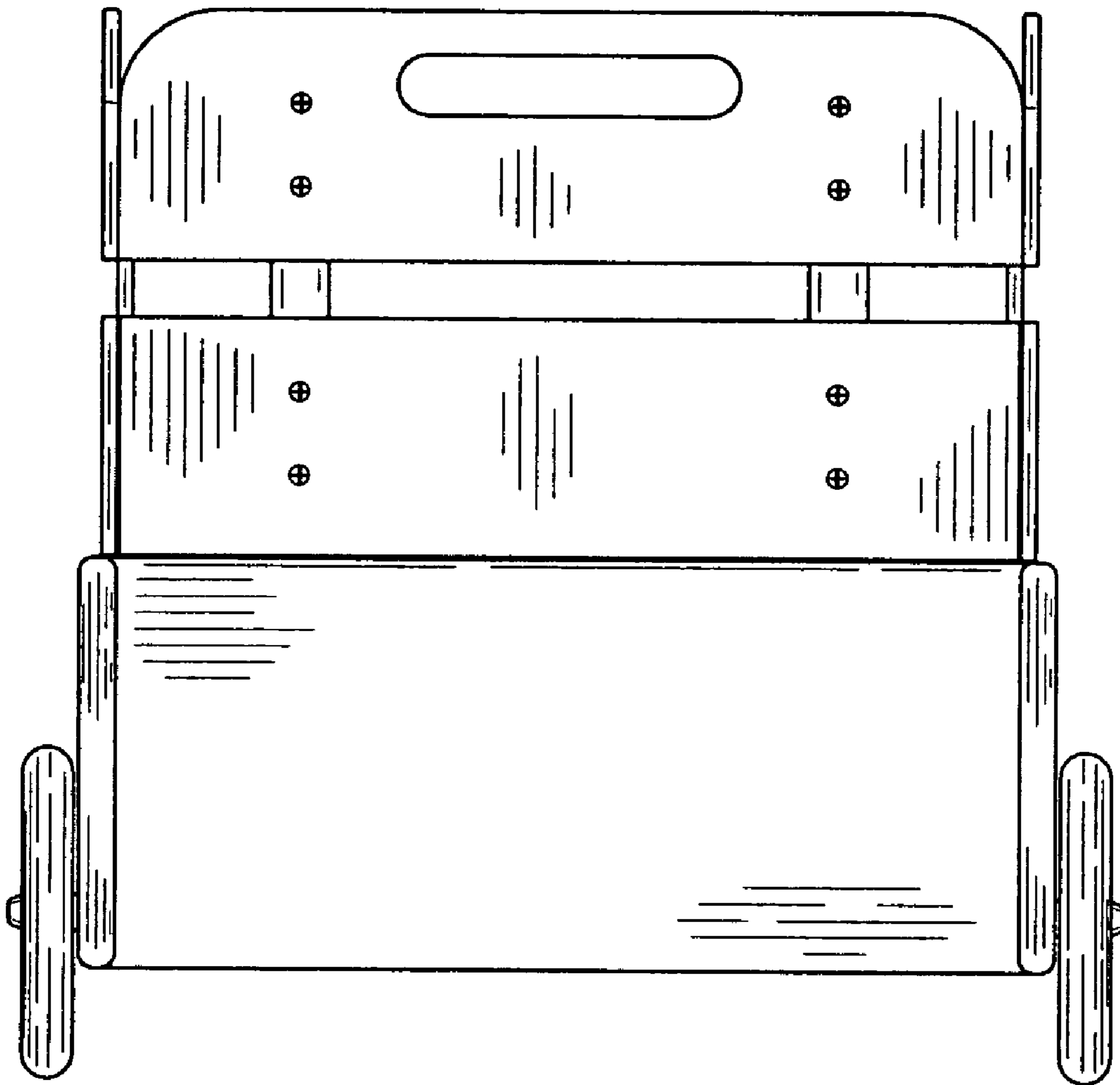


FIG. 2

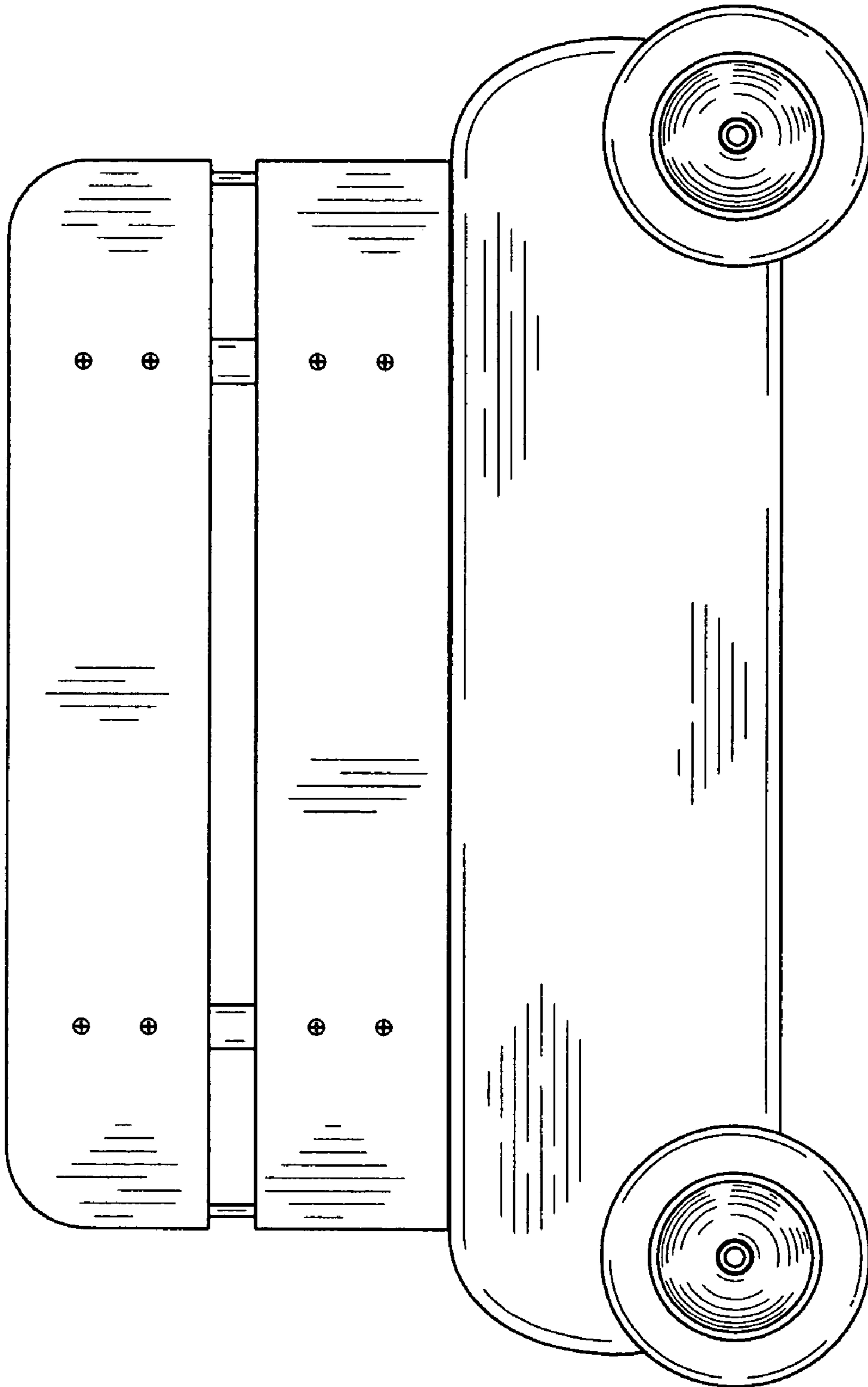


FIG. 3

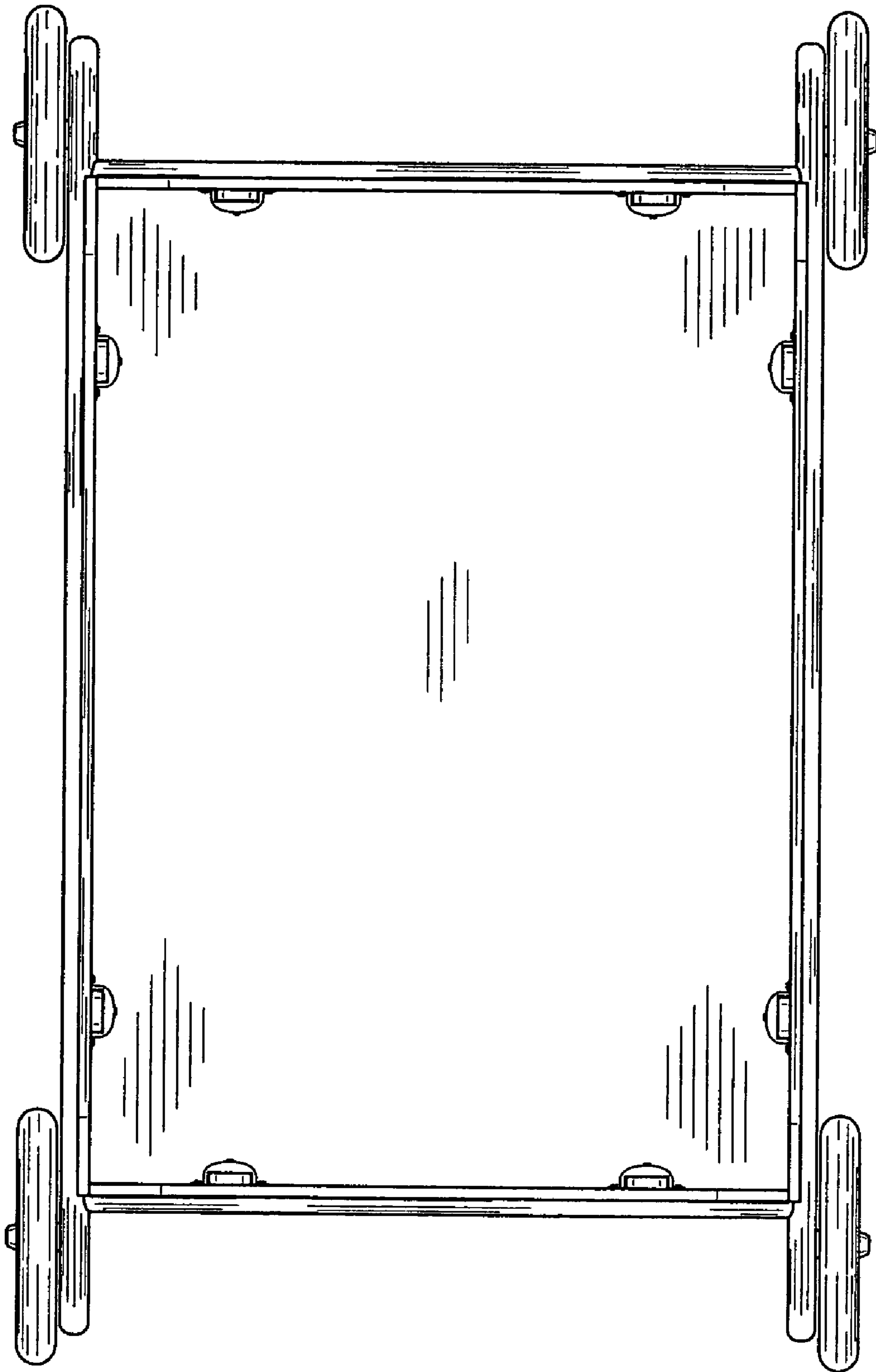


FIG. 4

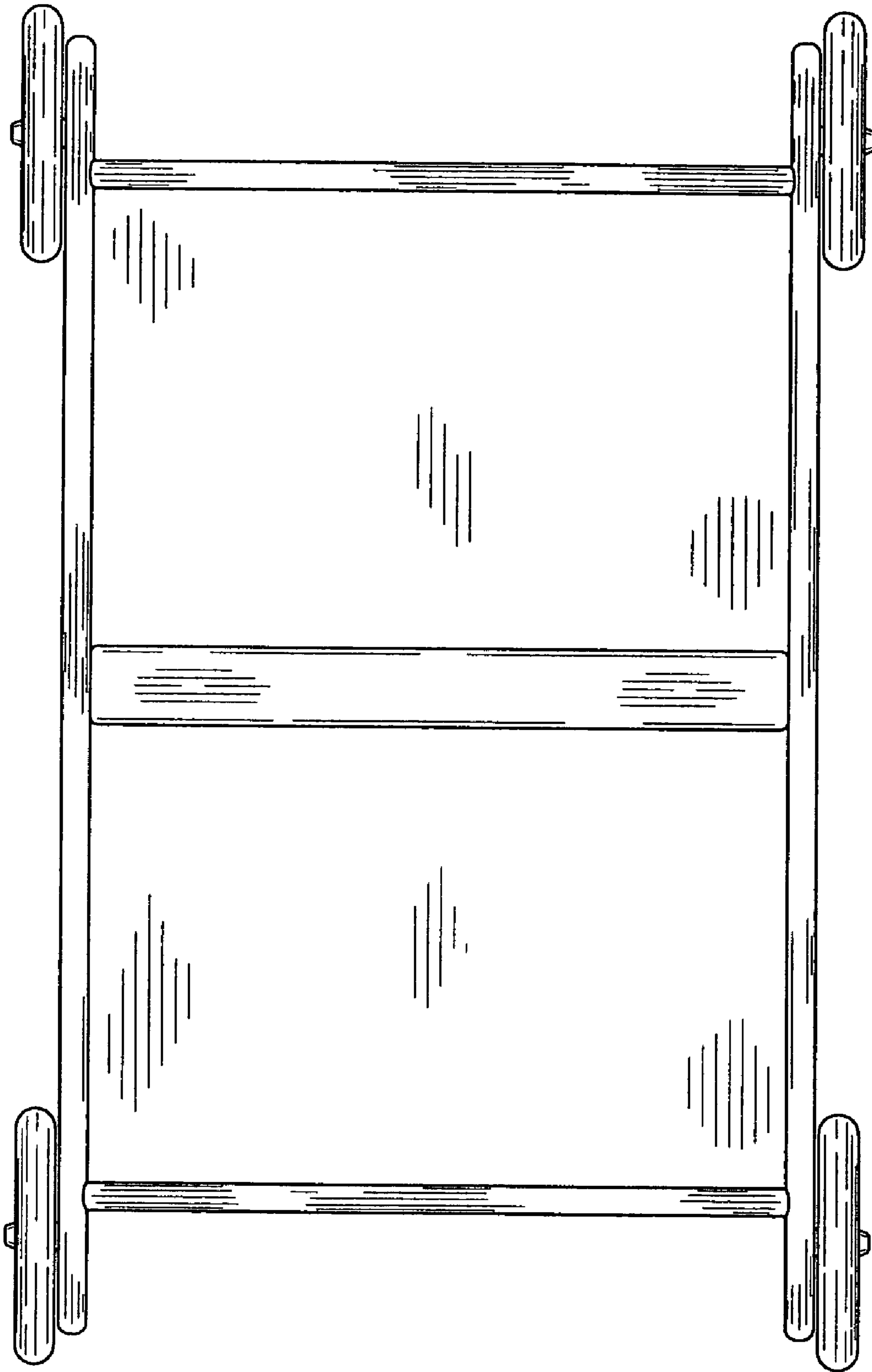


FIG. 5