

US00D547391S

(12) **United States Design Patent**  
**Johnson et al.**

(10) **Patent No.:** **US D547,391 S**

(45) **Date of Patent:** **\*\* Jul. 24, 2007**

(54) **CHILDREN'S WAGON**

(75) Inventors: **Mark Johnson**, Cary, IL (US); **Hector Rodriguez**, Cicero, IL (US); **Mark Kurth**, Chicago, IL (US); **Earle Cramer**, Chicago, IL (US)

(73) Assignee: **Radio Flyer, Inc.**, Chicago, IL (US)

(\*\*) Term: **14 Years**

(21) Appl. No.: **29/260,374**

(22) Filed: **May 23, 2006**

(51) **LOC (8) Cl.** ..... **21-01**

(52) **U.S. Cl.** ..... **D21/425**

(58) **Field of Classification Search** ..... D21/419,  
D21/424-426, 534-536; D12/17, 19, 20,  
D12/129, 102, 105; 280/87.01, 87.021, 47.17,  
280/47.25, 47.34, 47.4, 204

See application file for complete search history.

(56) **References Cited**

**U.S. PATENT DOCUMENTS**

- D275,691 S \* 9/1984 Appel et al. .... D21/425
- D366,633 S \* 1/1996 Pasin et al. .... D12/6
- D369,629 S \* 5/1996 Pasin et al. .... D21/425

- D382,309 S \* 8/1997 Brown et al. .... D21/425
- D403,026 S \* 12/1998 Pasin ..... D21/425
- 2004/0066013 A1 \* 4/2004 Michelau ..... 280/87.01

\* cited by examiner

*Primary Examiner*—Holly H. Baynham

*Assistant Examiner*—Cynthia M. Chin

(74) *Attorney, Agent, or Firm*—DLA Piper US LLP

(57) **CLAIM**

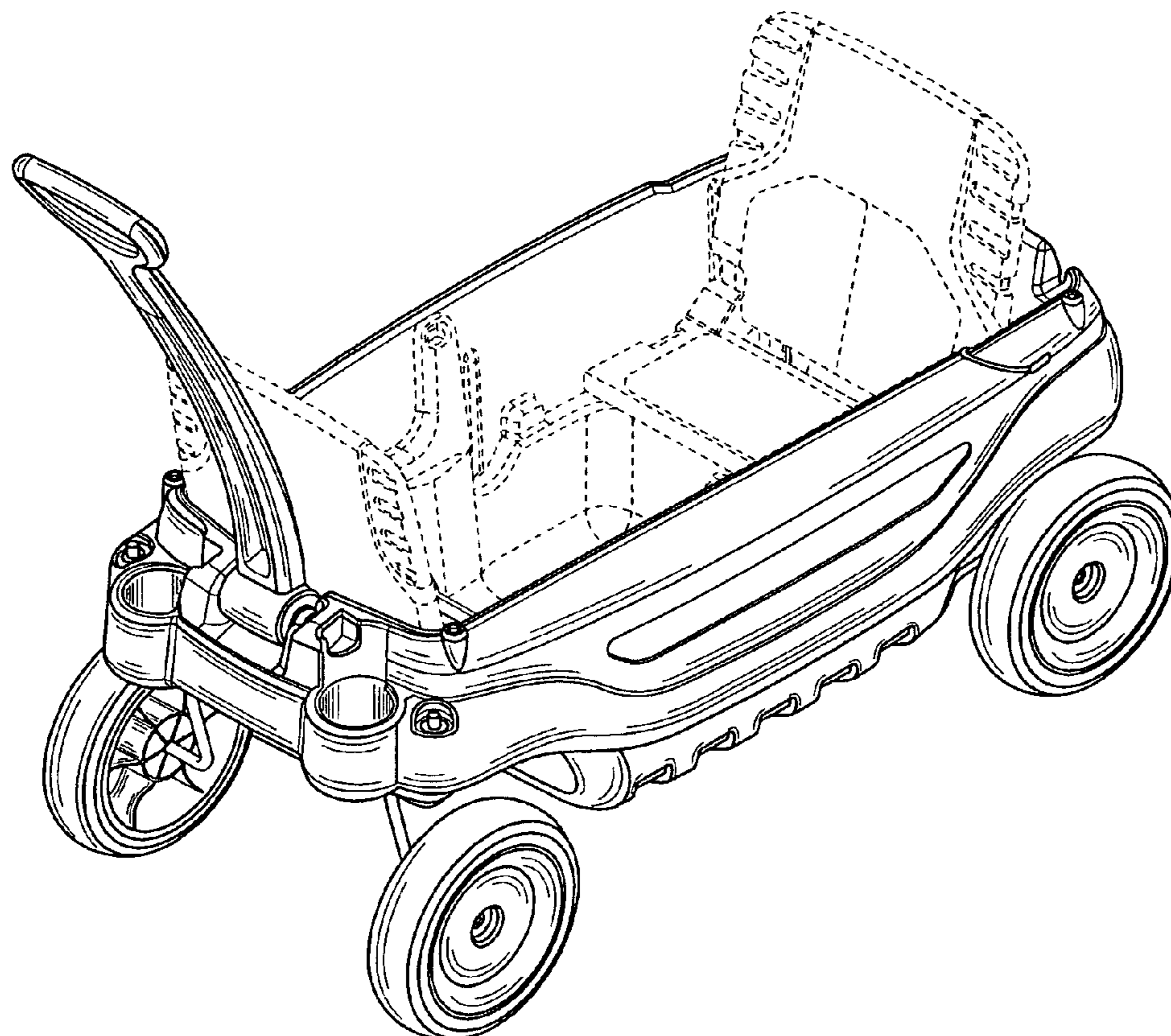
The ornamental design for a children's wagon, as shown and described.

**DESCRIPTION**

FIG. 1 is a perspective view of the children's wagon;  
 FIG. 2 is a front elevational view of the children's wagon;  
 FIG. 3 is a rear elevational view of the children's wagon;  
 FIG. 4 is a side elevational view of the children's wagon, the opposite side of which is an identical mirror image;  
 FIG. 5 is a top plan view of the children's wagon; and,  
 FIG. 6 is a bottom plan view of the children's wagon.

The broken lines shown in the drawings are for illustrative purposes only and form no part of the claimed design.

**1 Claim, 6 Drawing Sheets**



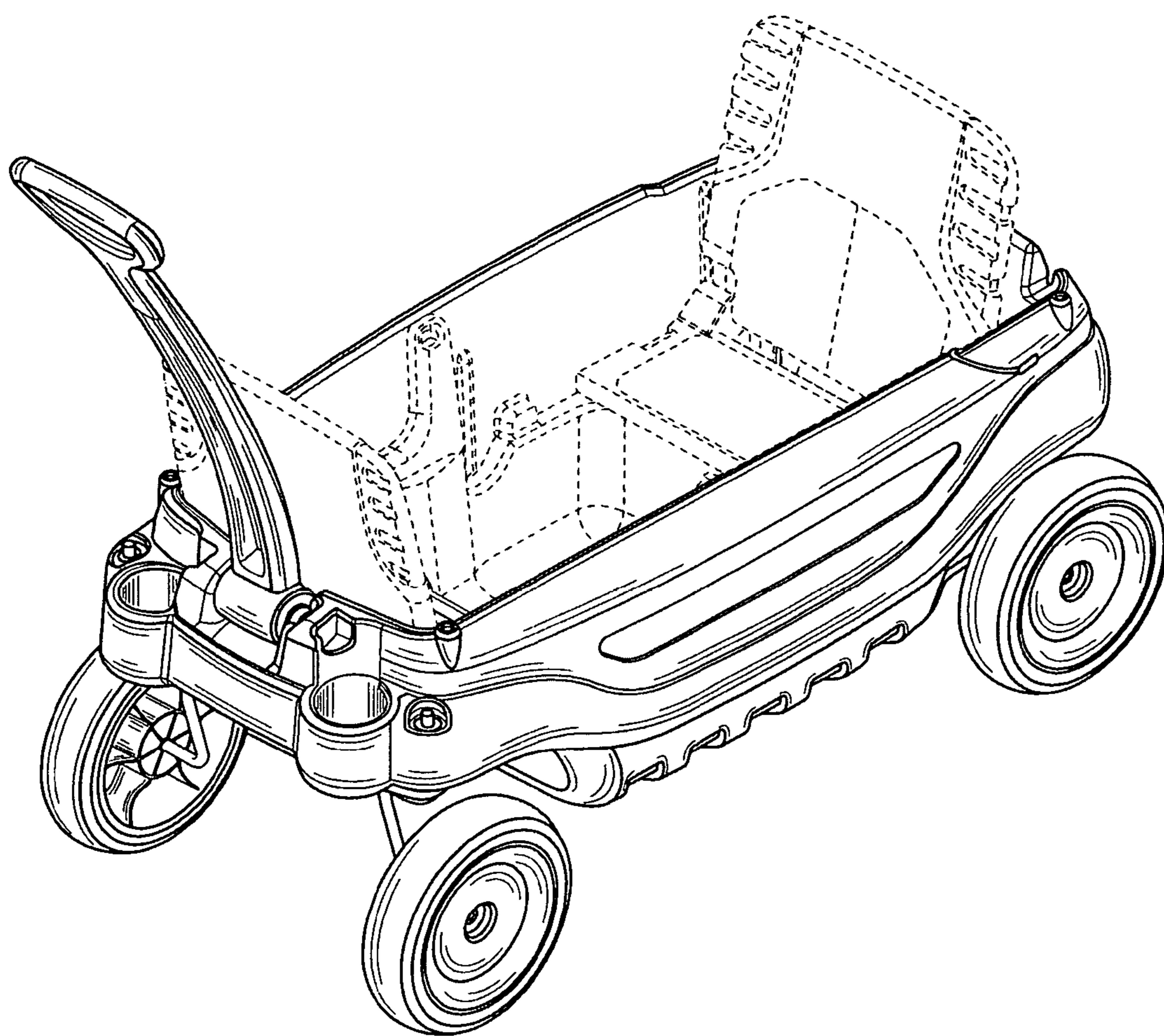


FIG. 1

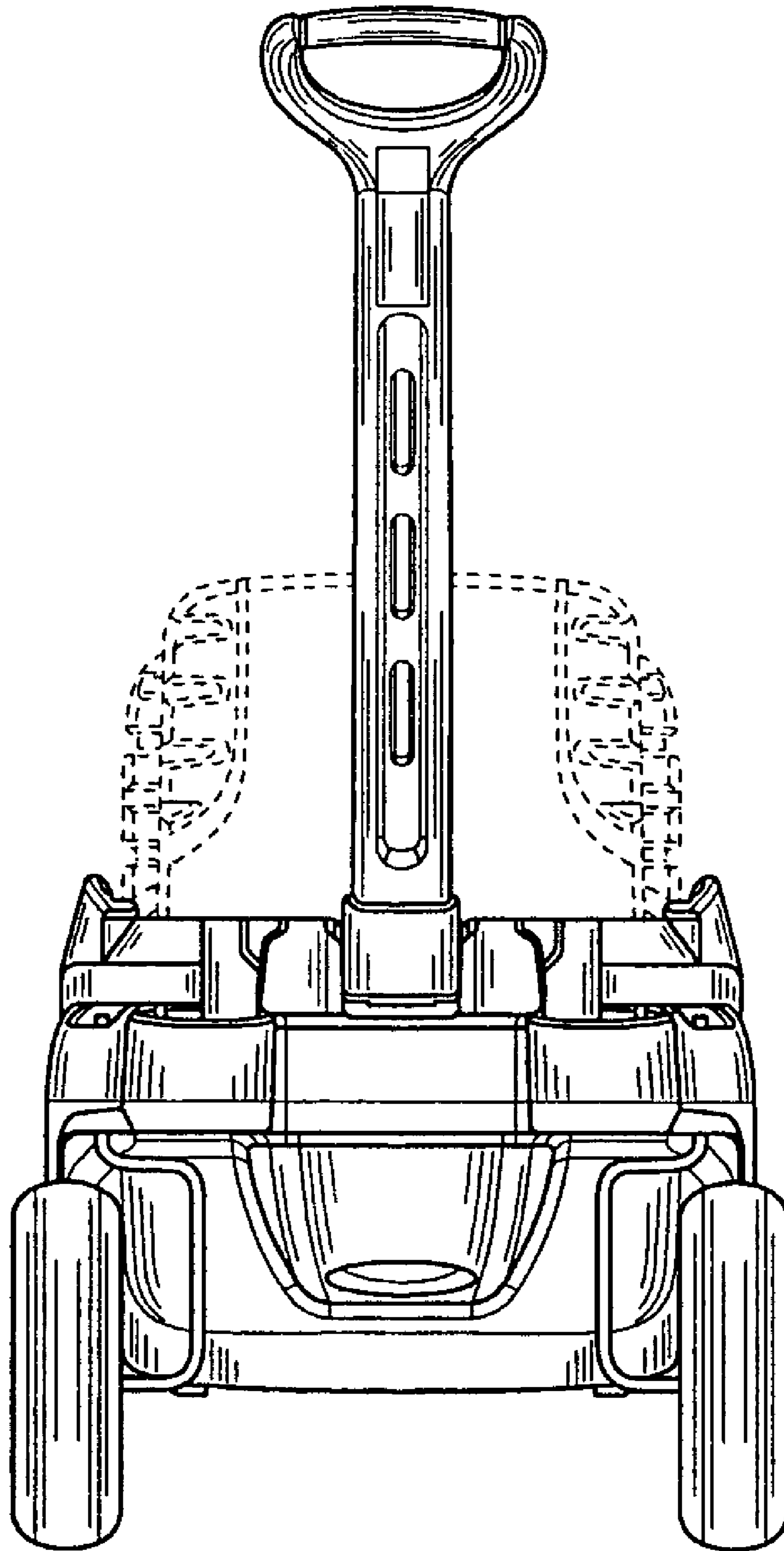


FIG. 2

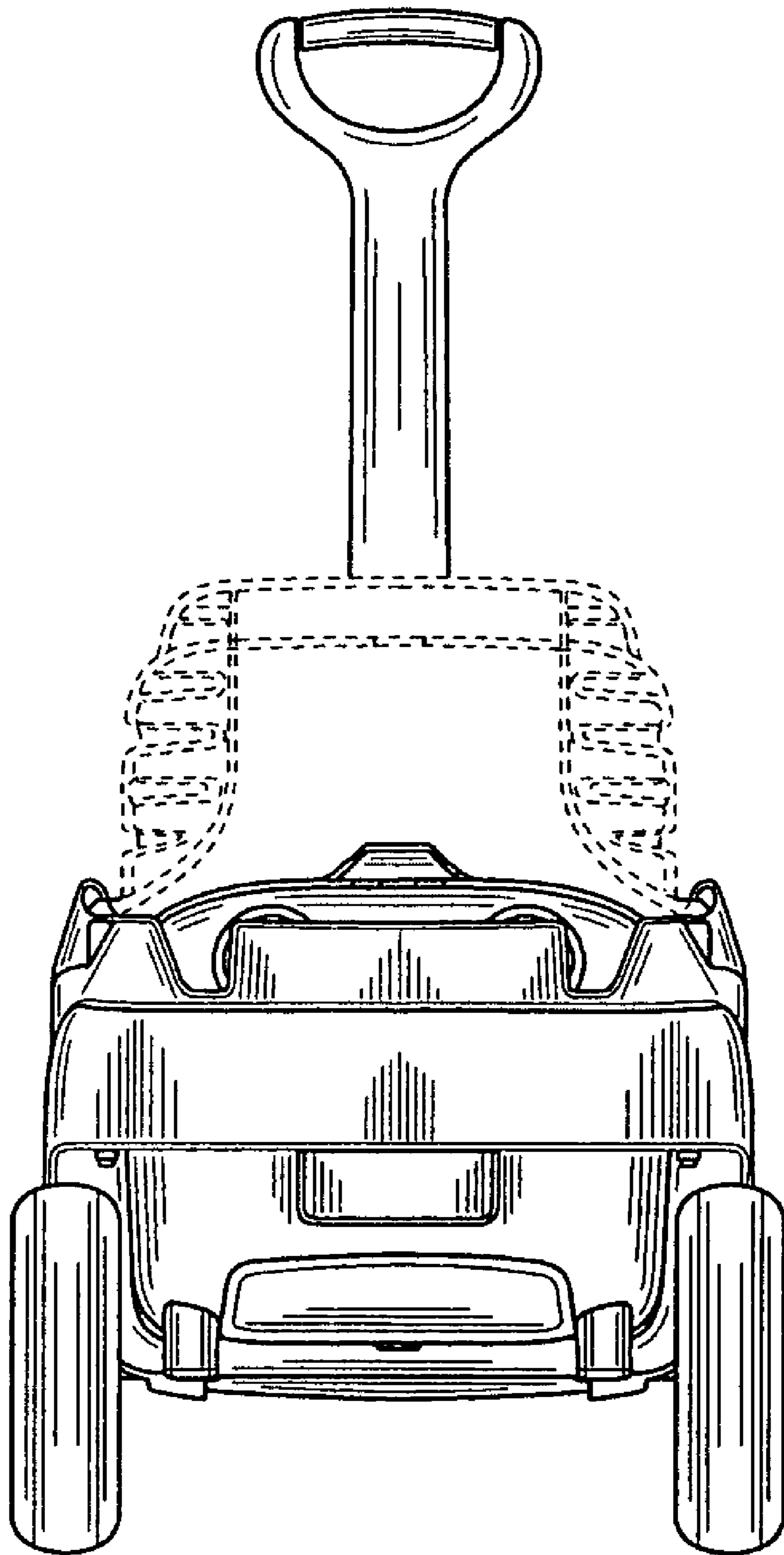


FIG. 3

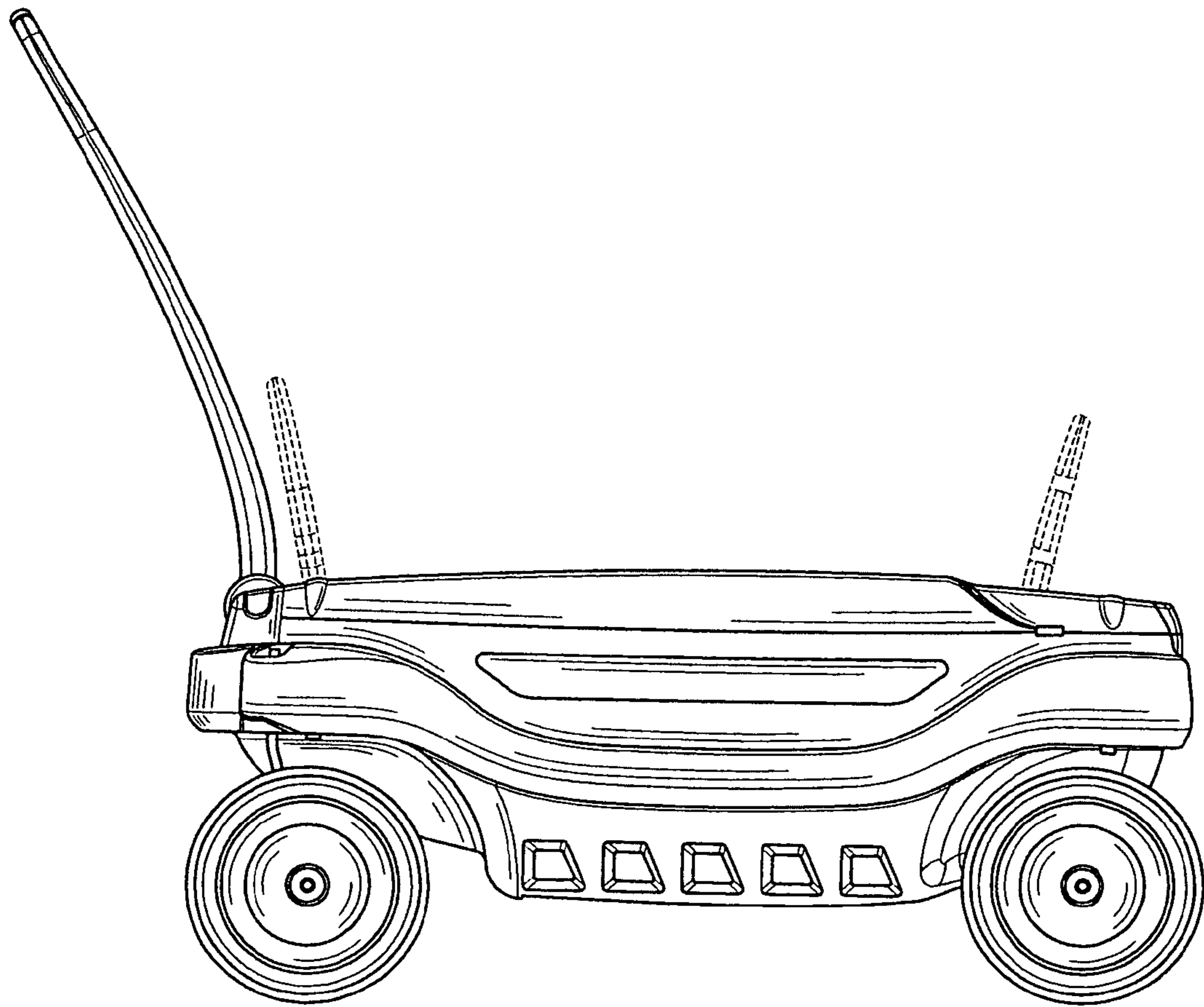


FIG. 4

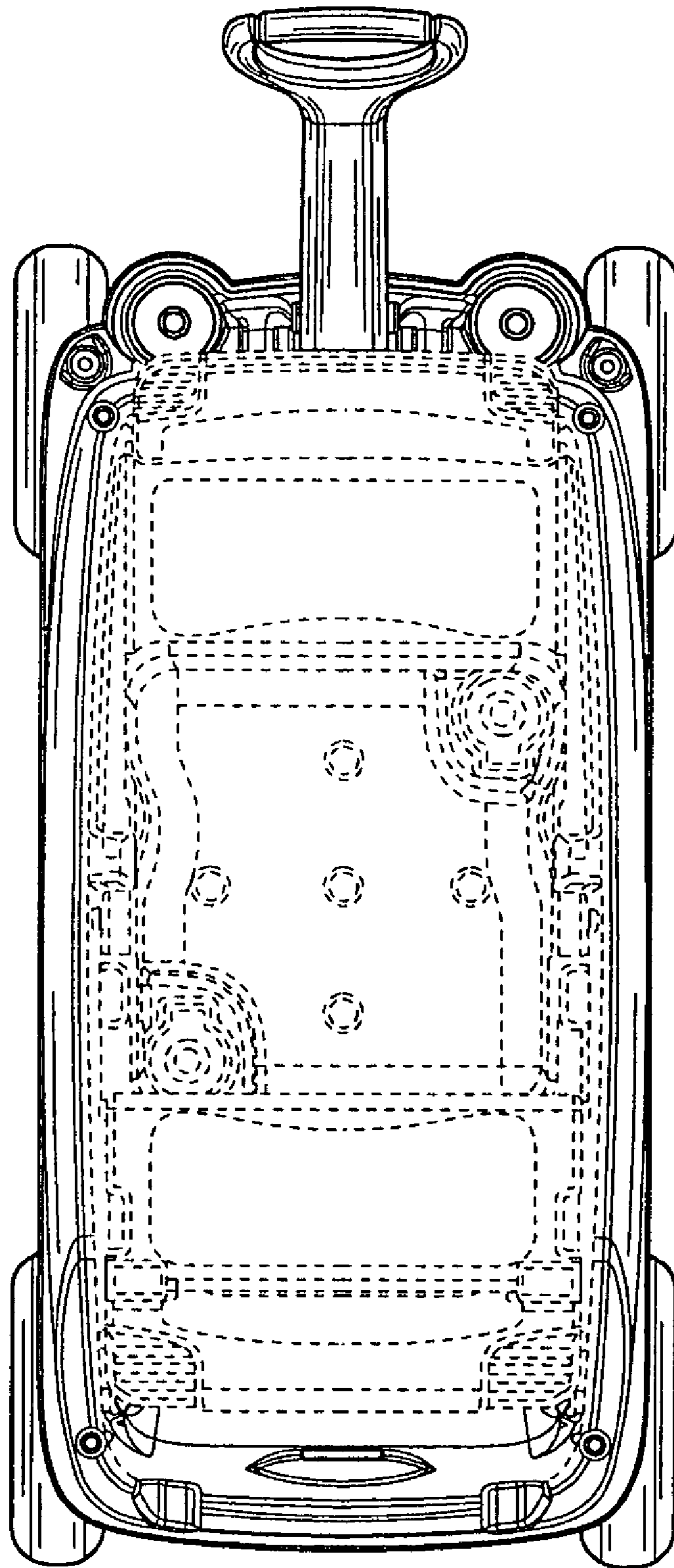


FIG. 5

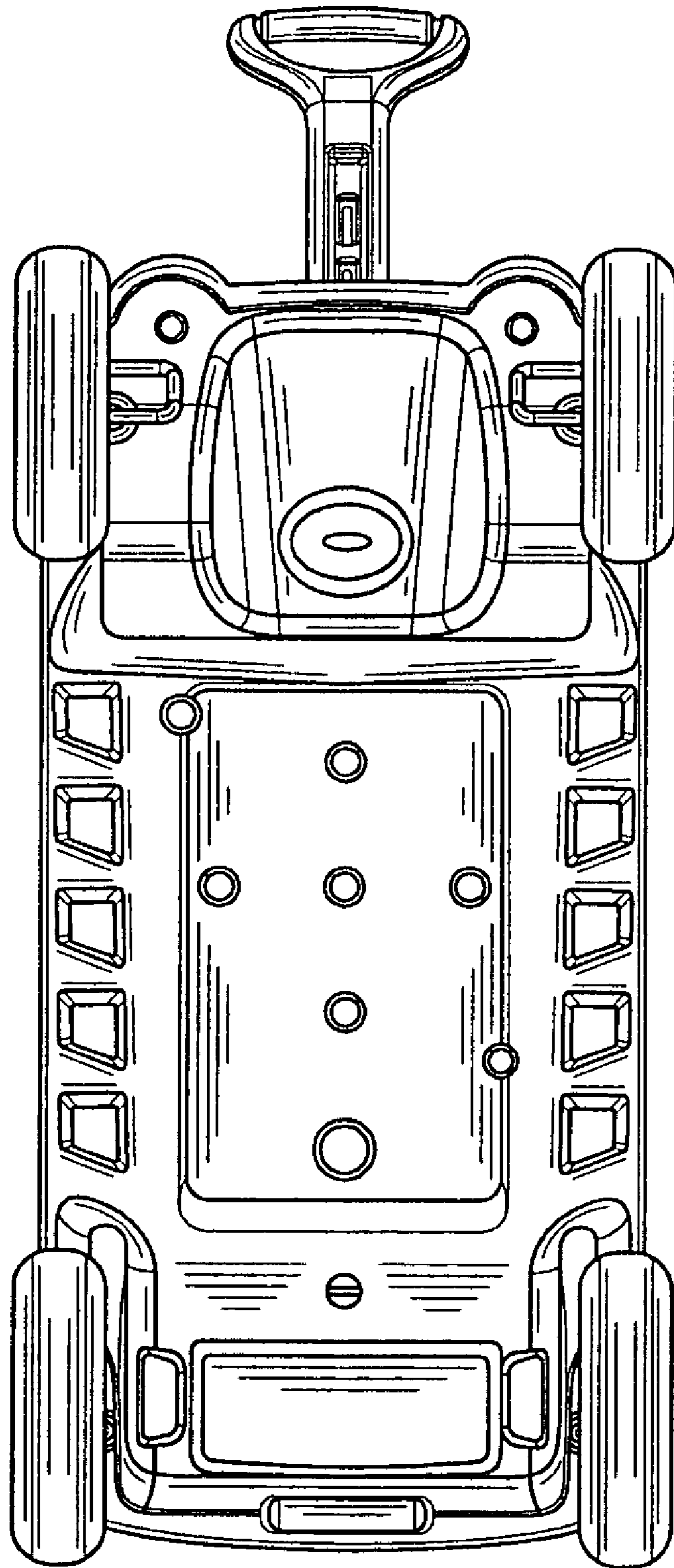


FIG. 6