



US00D547390S

(12) **United States Design Patent**
Johnson et al.

(10) **Patent No.:** **US D547,390 S**

(45) **Date of Patent:** **** Jul. 24, 2007**

(54) **CHILDREN'S RIDE-ON TOY**

D496,609 S * 9/2004 Auberger D12/112

(75) Inventors: **Mark Johnson**, Cary, IL (US); **Thomas Schlegel**, Wheaton, IL (US)

* cited by examiner

Primary Examiner—Holly H. Baynham

Assistant Examiner—Cynthia M. Chin

(73) Assignee: **Radio Flyer, Inc.**, Chicago, IL (US)

(74) *Attorney, Agent, or Firm*—DLA Piper US LLP

(**) Term: **14 Years**

(57) **CLAIM**

(21) Appl. No.: **29/260,372**

The ornamental design for a children's ride-on toy, as shown.

(22) Filed: **May 23, 2006**

(51) **LOC (8) Cl.** **21-01**

(52) **U.S. Cl.** **D21/424**

(58) **Field of Classification Search** D21/419,
D21/421, 423, 424, 426, 433, 435, 533, 538,
D21/760, 765, 771; D12/107, 111–113, 114,
D12/117, 118–121; 280/87.021, 87.041,
280/239, 263, 282, 288.1–288.4; 180/180,
180/181

See application file for complete search history.

DESCRIPTION

FIG. 1 is a perspective view of the children's ride-on toy;

FIG. 2 is a front elevational view of the children's ride-on toy;

FIG. 3 is a rear elevational view of the children's ride-on toy;

FIG. 4 is a left side elevational view of the children's ride-on toy;

FIG. 5 is a right side elevational view of the children's ride-on toy;

FIG. 6 is a top plan view of the children's ride-on toy; and,
FIG. 7 is a bottom plan view of the children's ride-on toy.

(56) **References Cited**

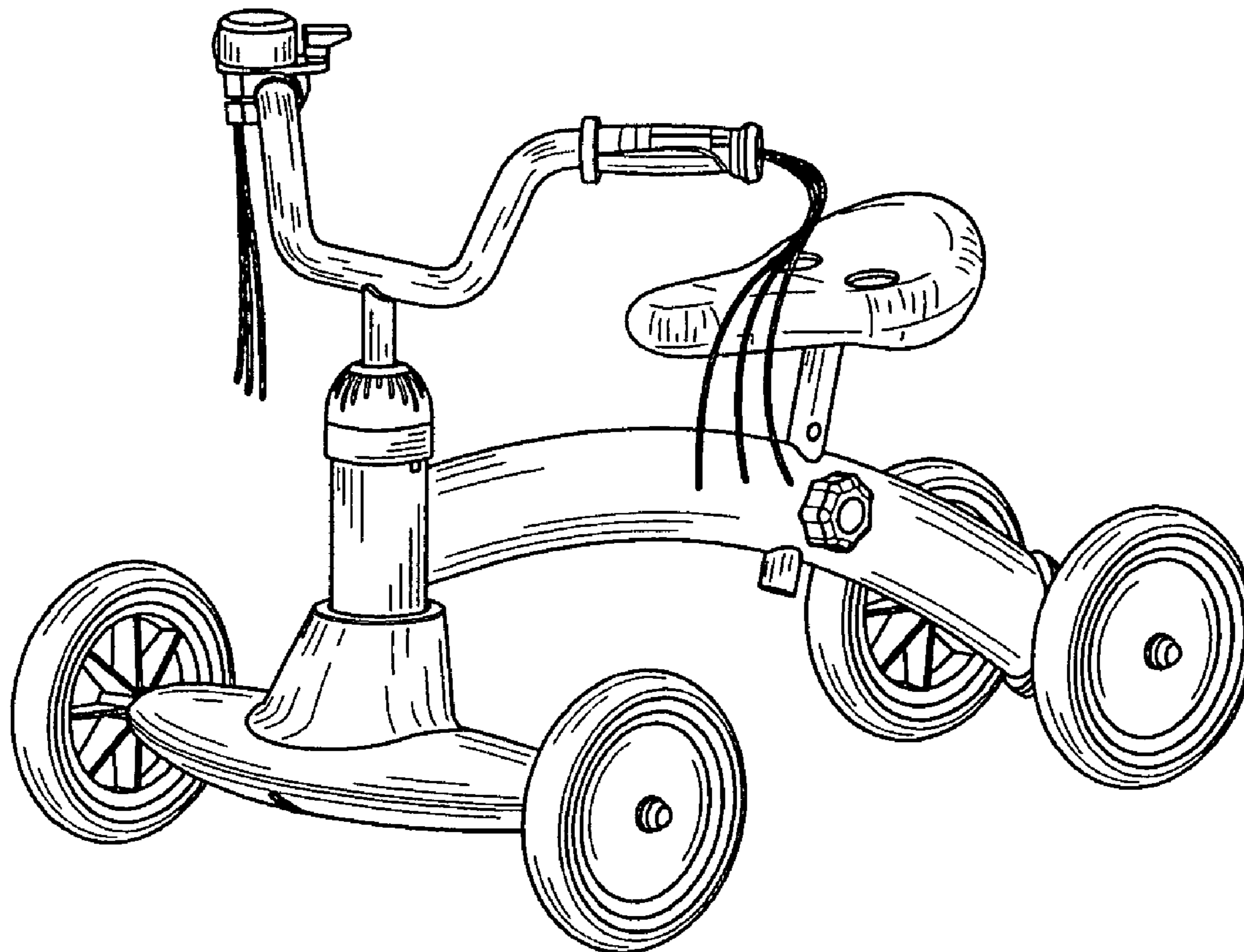
U.S. PATENT DOCUMENTS

D279,176 S * 6/1985 Kassai D12/112

D469,477 S * 1/2003 Horchler D21/424

D473,599 S * 4/2003 Horchler D21/435

1 Claim, 4 Drawing Sheets



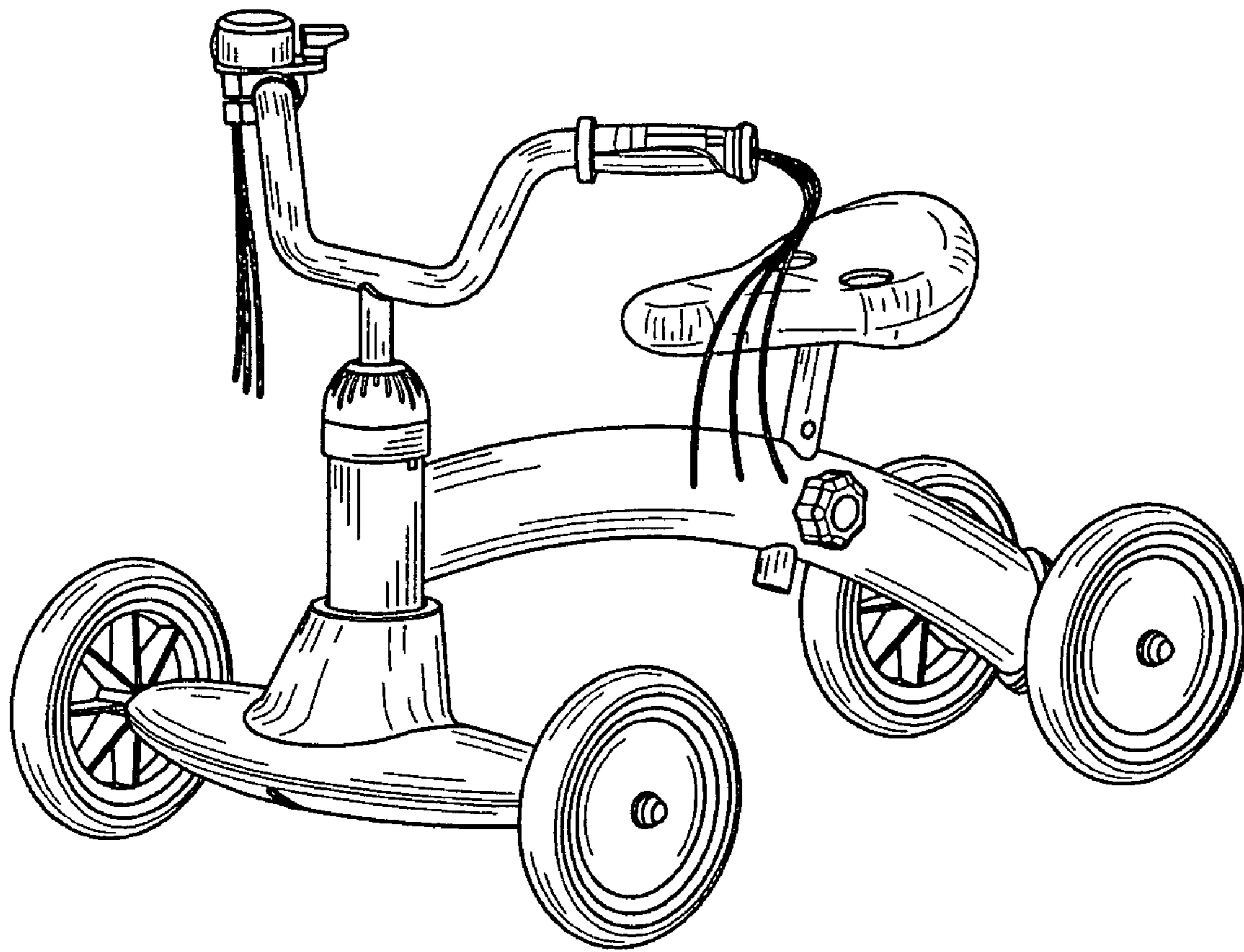


FIG. 1

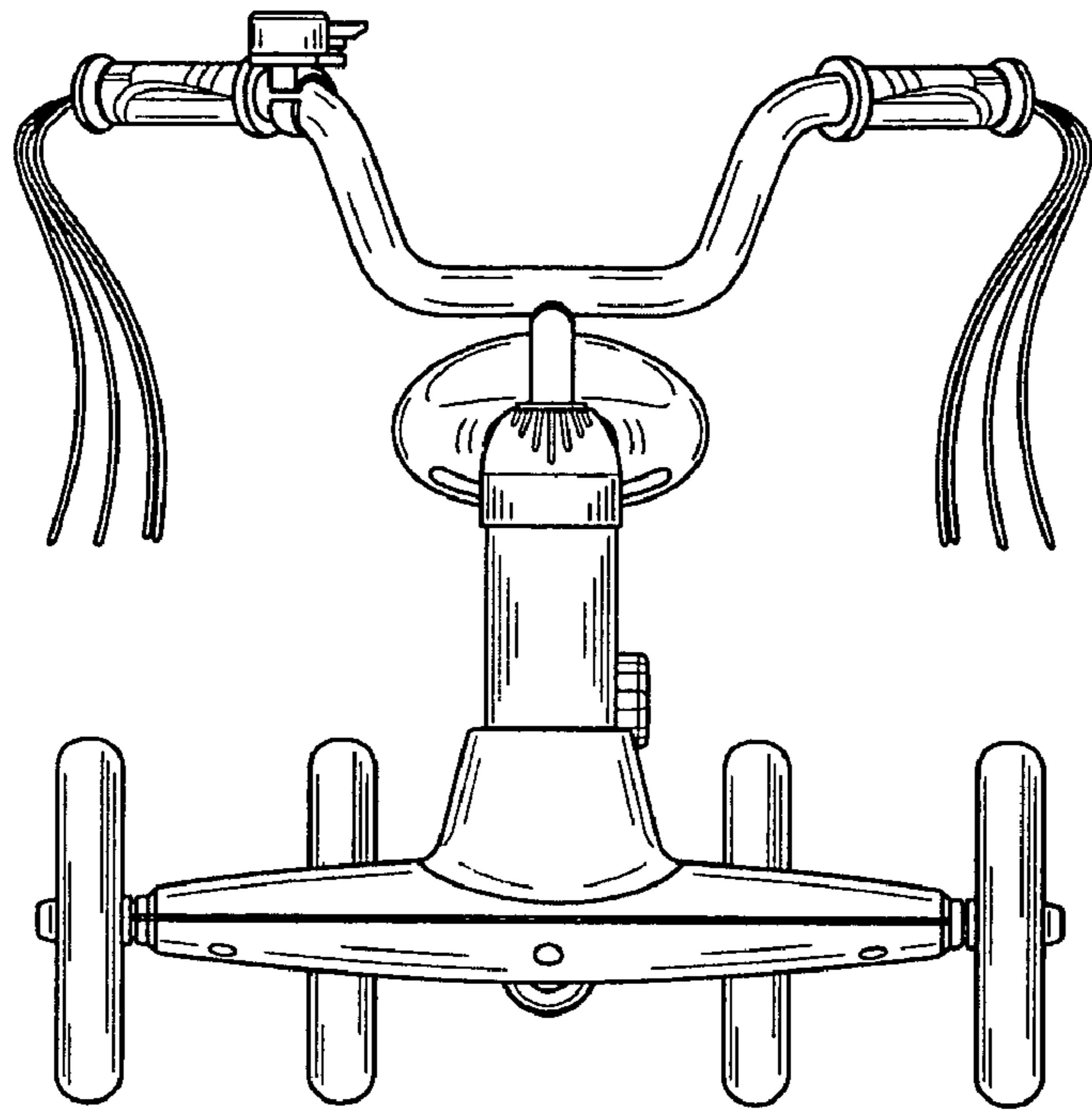


FIG. 2

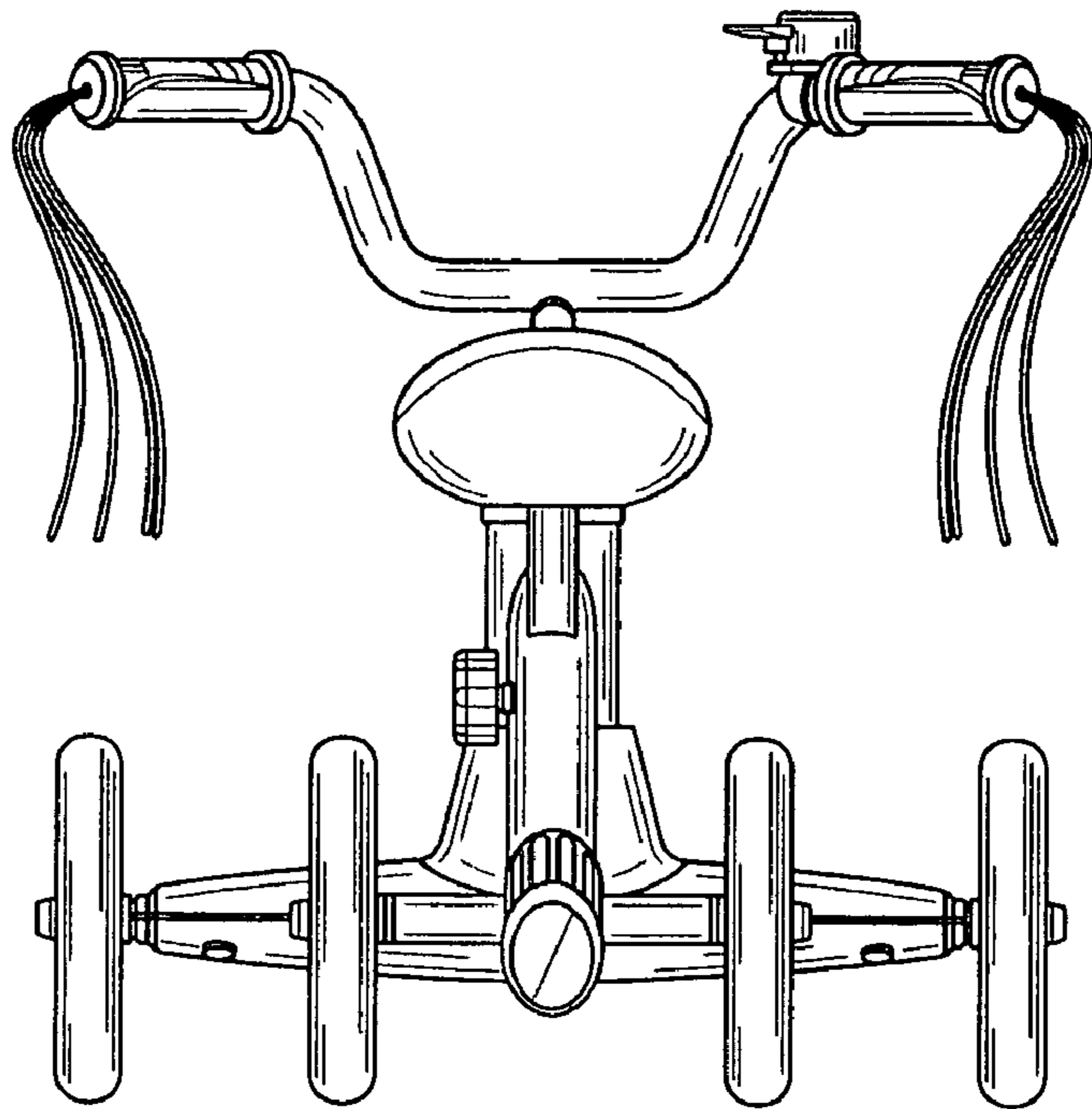


FIG. 3

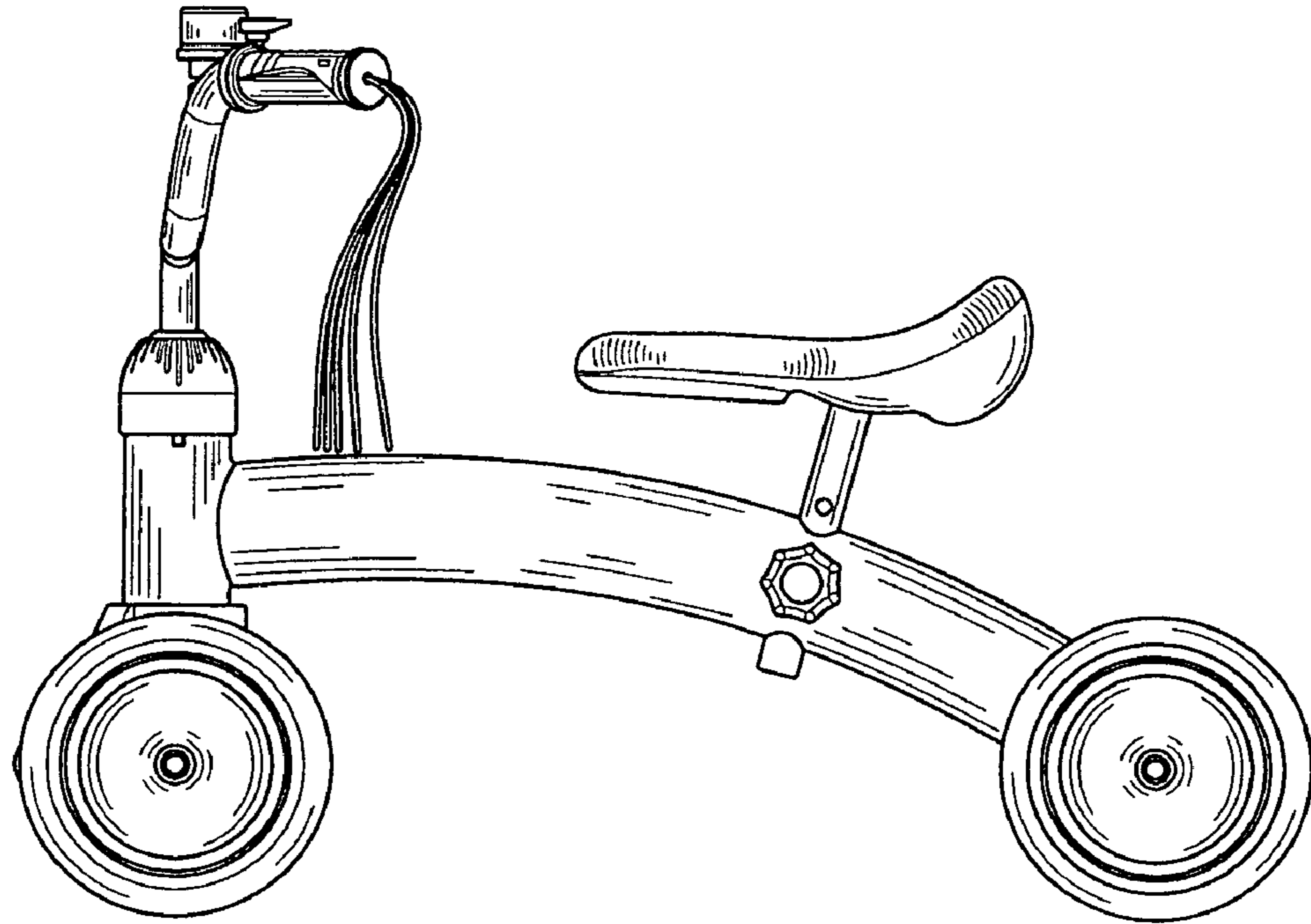


FIG. 4

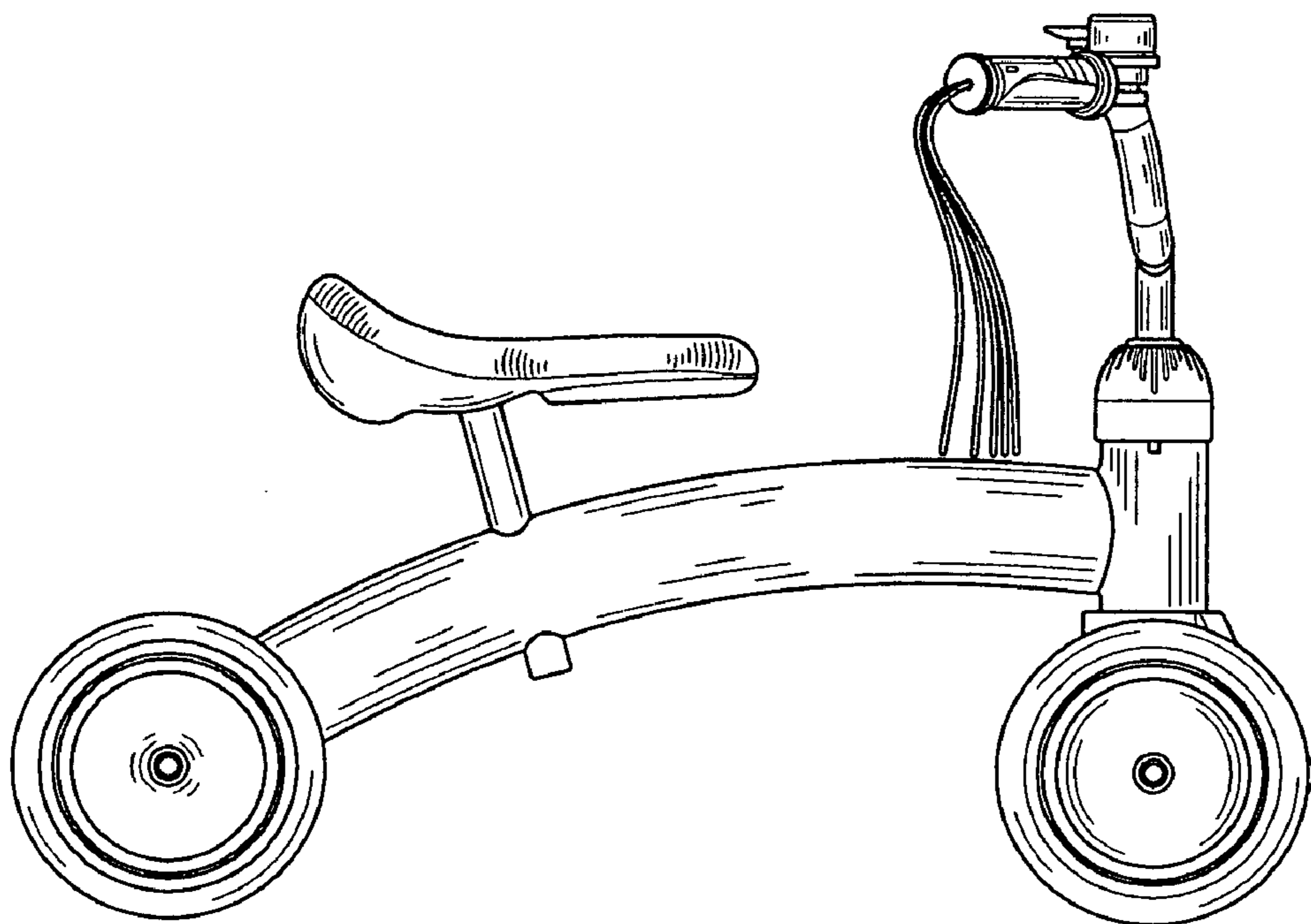


FIG. 5

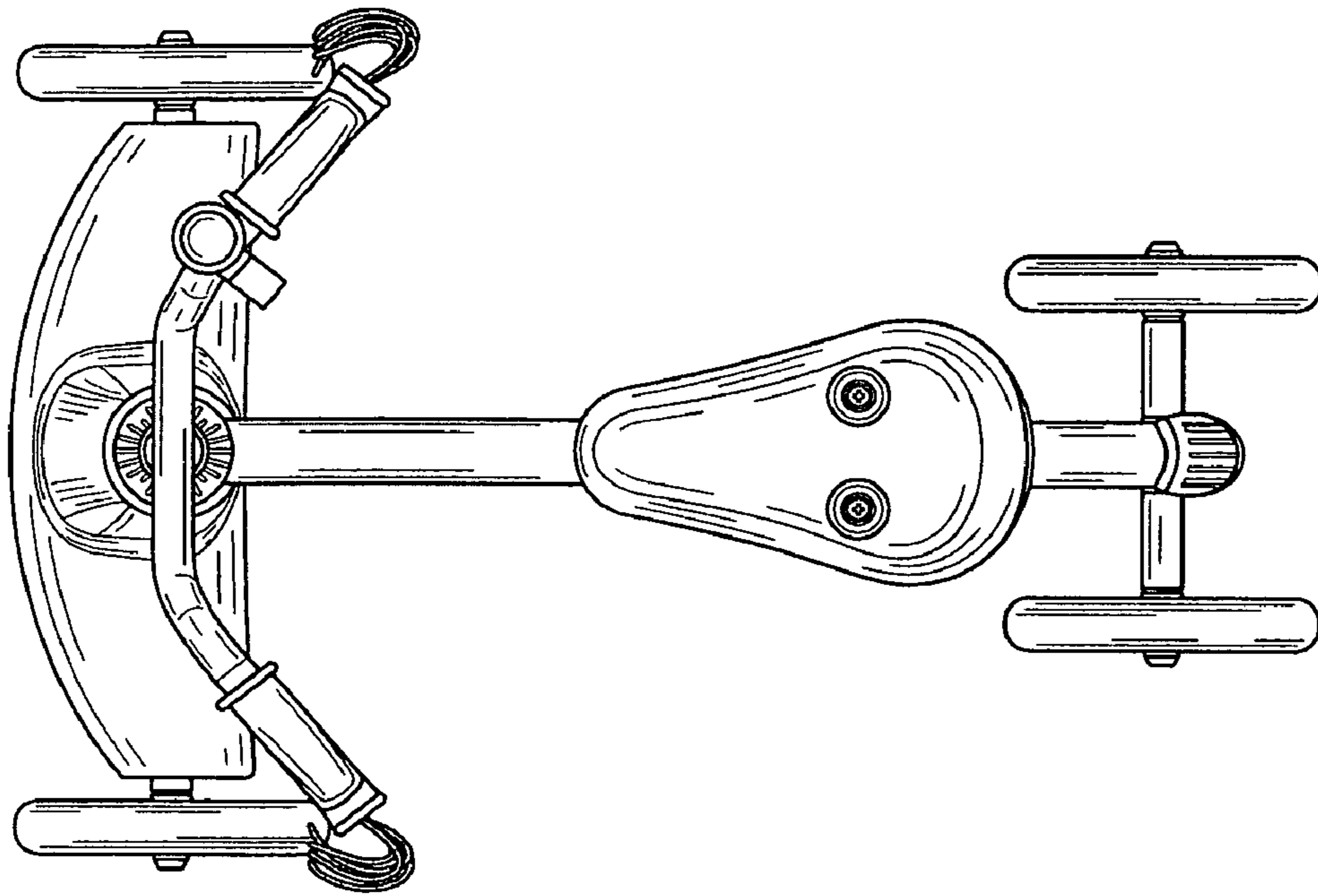


FIG. 6

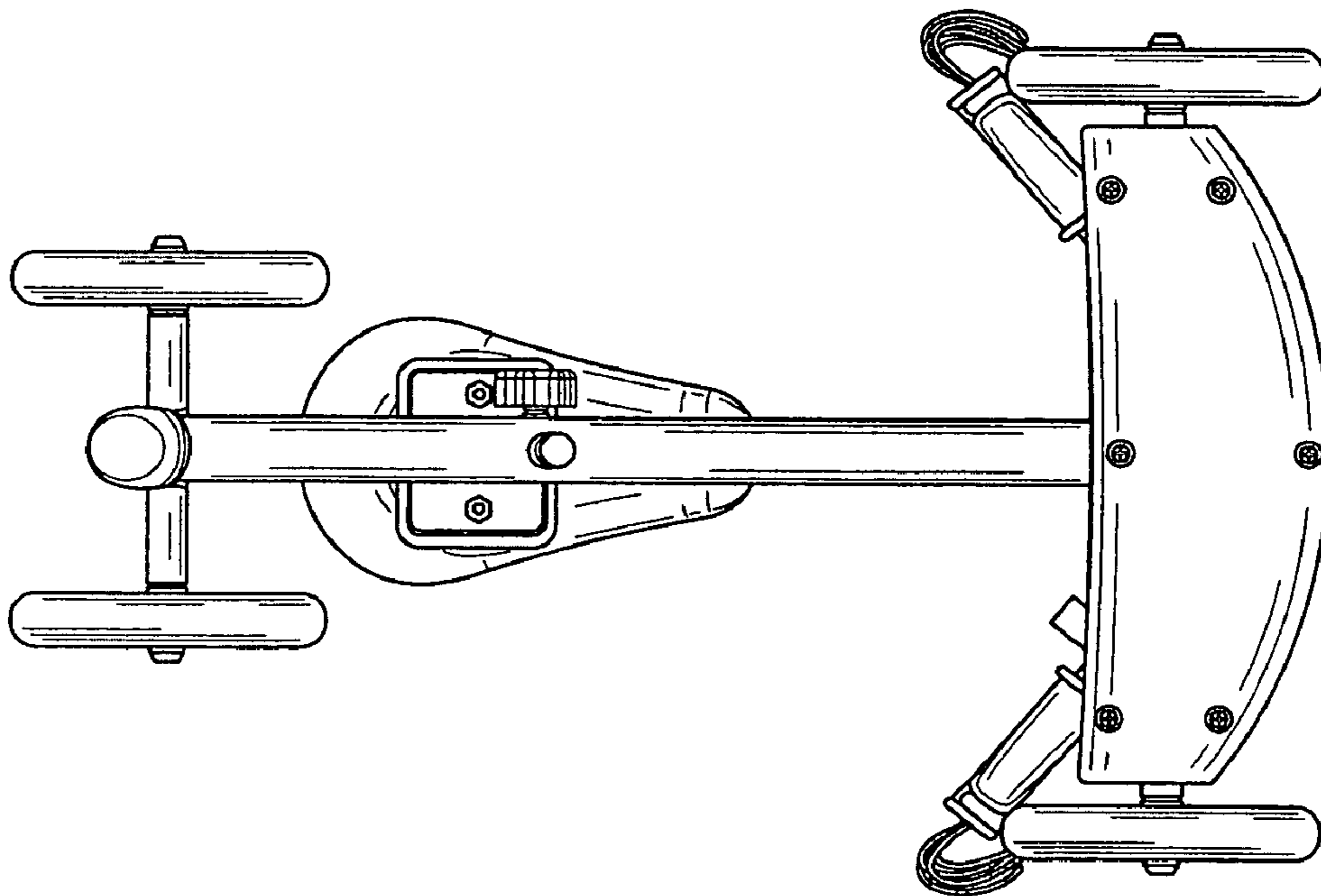


FIG. 7