



US00D547389S

(12) **United States Design Patent**
Hong

(10) **Patent No.:** **US D547,389 S**

(45) **Date of Patent:** **** Jul. 24, 2007**

(54) **T-BAR COVER FOR SCOOTER**

D477,798 S * 7/2003 Bean et al. D12/178
D504,920 S * 5/2005 Hong D21/423

(76) Inventor: **Jae Hyun Hong**, 14065 Stage Rd.,
Bloomfield Commerce Center, Santa Fe,
CA (US) 90670

* cited by examiner

Primary Examiner—Holly H. Baynham

Assistant Examiner—Cynthia M. Chin

(74) *Attorney, Agent, or Firm*—John K. Park; Park Law
Firm

(**) Term: **14 Years**

(21) Appl. No.: **29/264,098**

(22) Filed: **Aug. 3, 2006**

(57) **CLAIM**

The ornamental design for a T-bar cover for scooter, as
shown and described.

(51) **LOC (8) Cl.** **21-01**

(52) **U.S. Cl.** **D21/423**

(58) **Field of Classification Search** D21/419,
D21/421, 423, 424, 426, 433, 435, 533, 538,
D21/760, 765, 771; D12/107, 111–113, 114,
D12/117, 118–121, 174, 178; 280/87.021,
280/87.041, 239, 263, 282, 288.1–288.4;
180/180, 181

See application file for complete search history.

DESCRIPTION

FIG. 1 is a perspective view of a T-bar cover for scooter
showing my new design;

FIG. 2 is a rear elevational view thereof;

FIG. 3 is a front elevational view thereof;

FIG. 4 is a side elevational view thereof;

FIG. 5 is an opposite side elevational view thereof;

FIG. 6 is a top plan view thereof; and,

FIG. 7 is a bottom plan view thereof.

The broken line showing of environment is for illustrative
purposes only and forms no part of the claimed design.

(56) **References Cited**

U.S. PATENT DOCUMENTS

D345,725 S * 4/1994 Camfield et al. D12/182
D371,530 S * 7/1996 Trepanier D12/178
D439,210 S * 3/2001 Khalaf D12/178
D458,566 S * 6/2002 Carlini D12/178
6,416,060 B1 * 7/2002 Chen 280/1.165

1 Claim, 7 Drawing Sheets

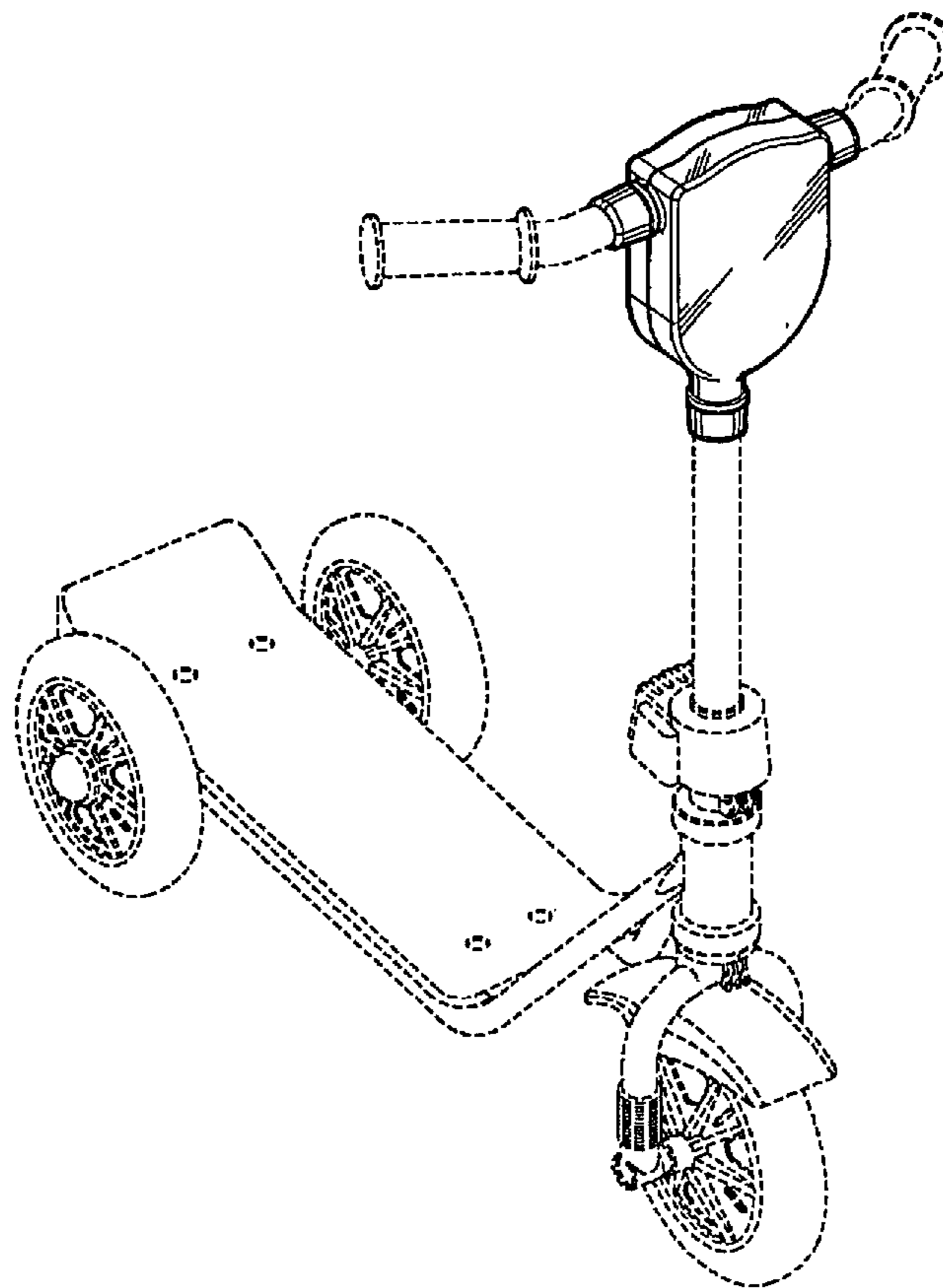


FIG. 1

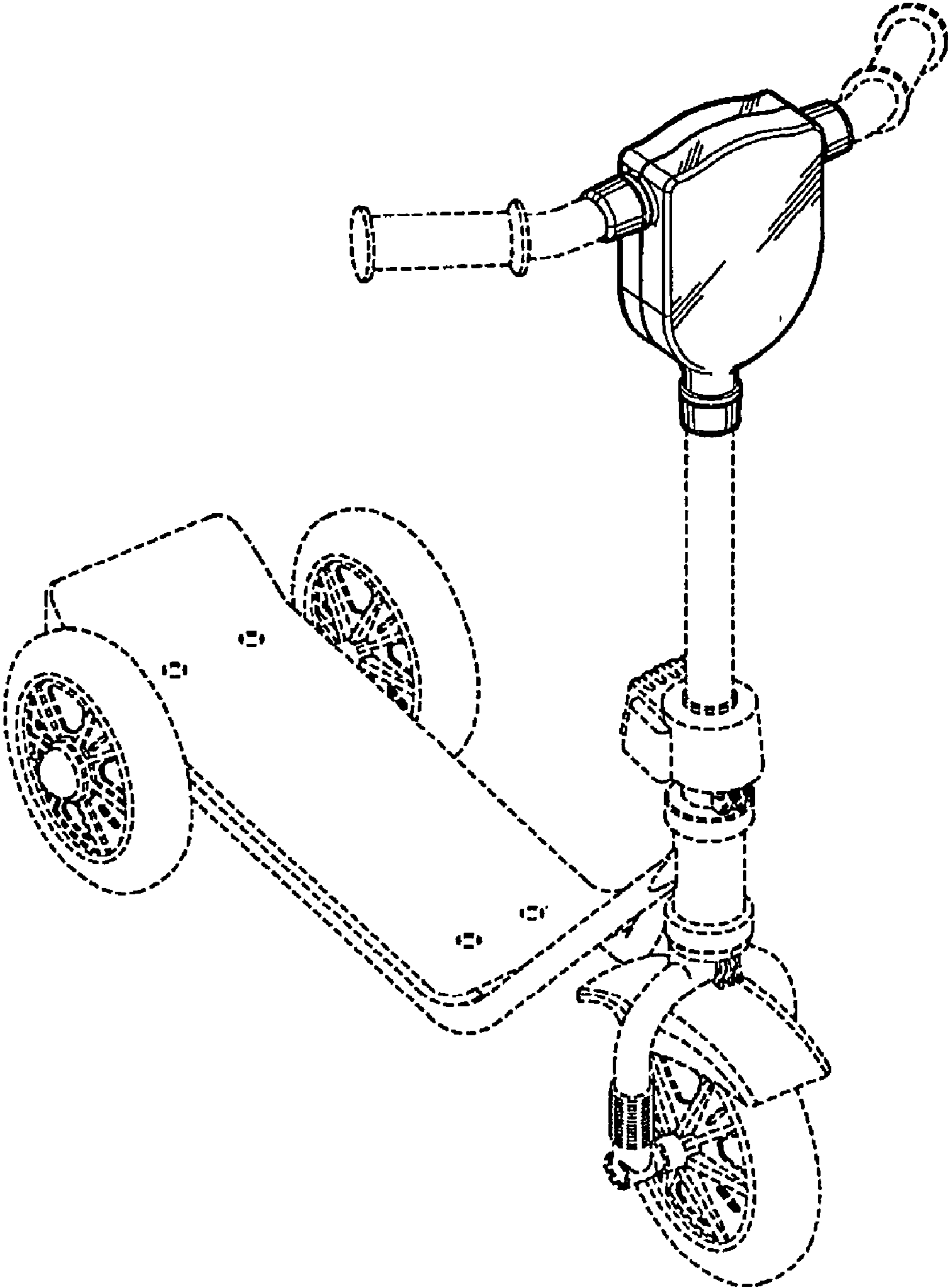


FIG. 2

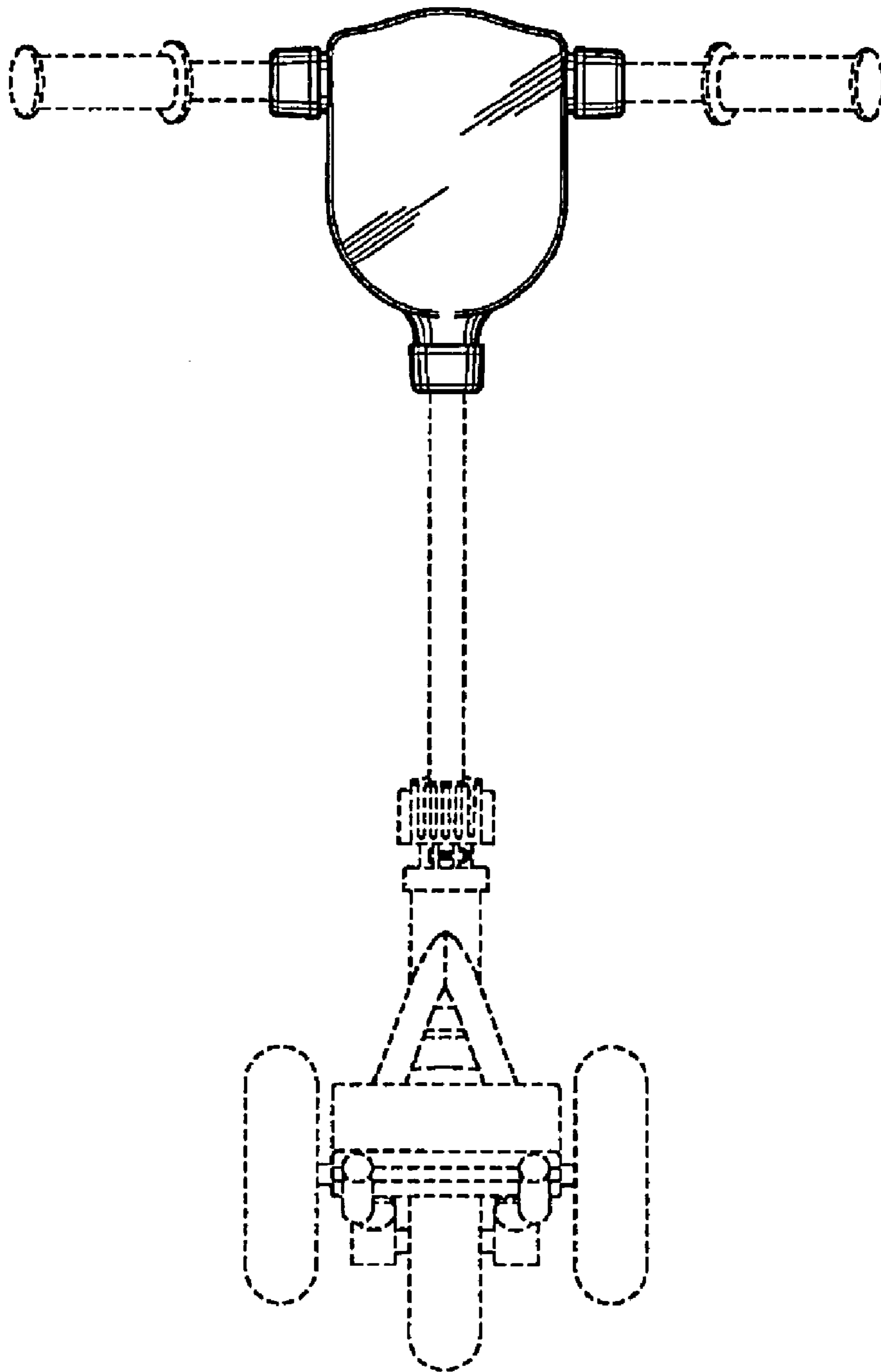


FIG. 3

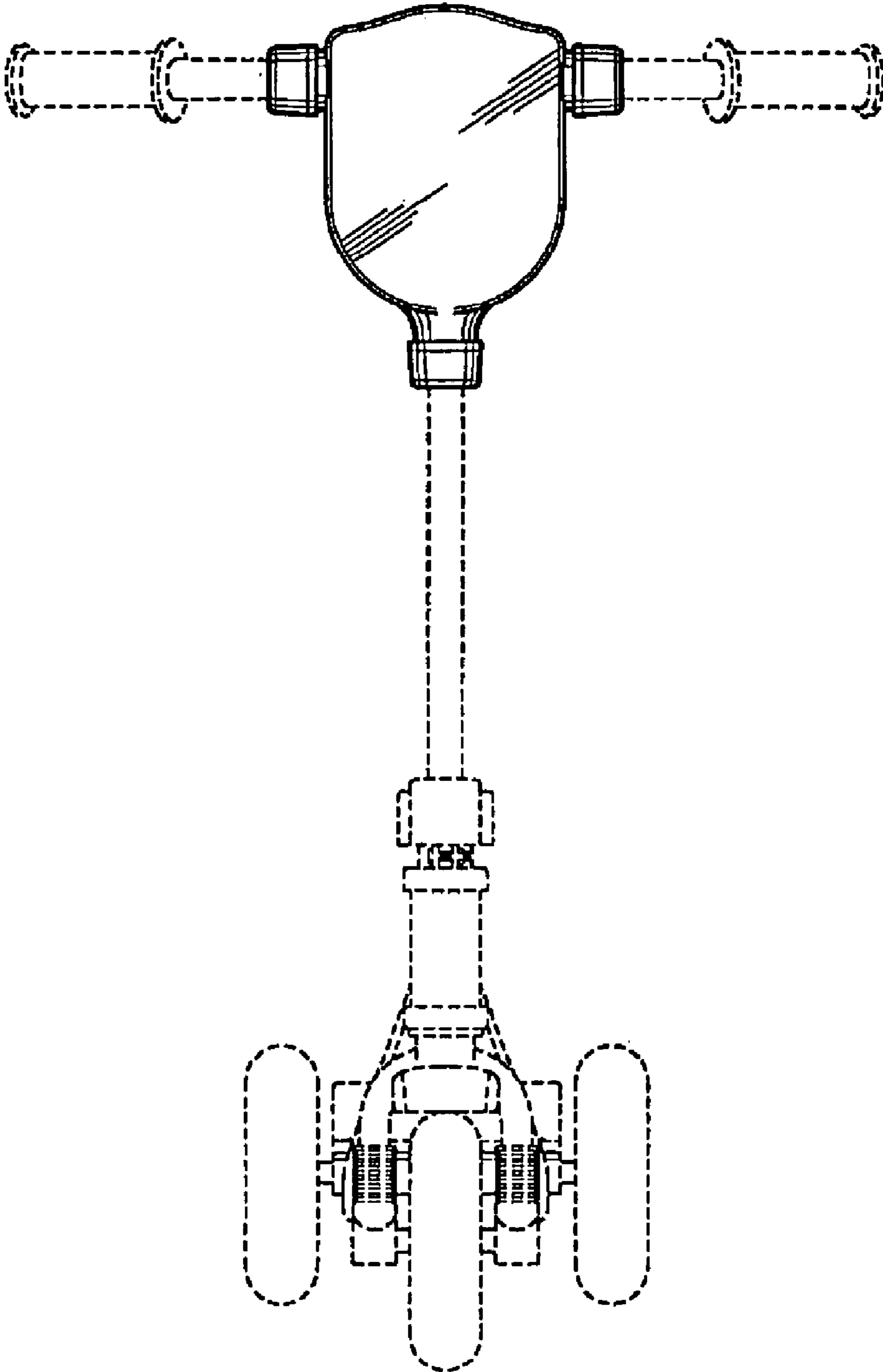


FIG. 4

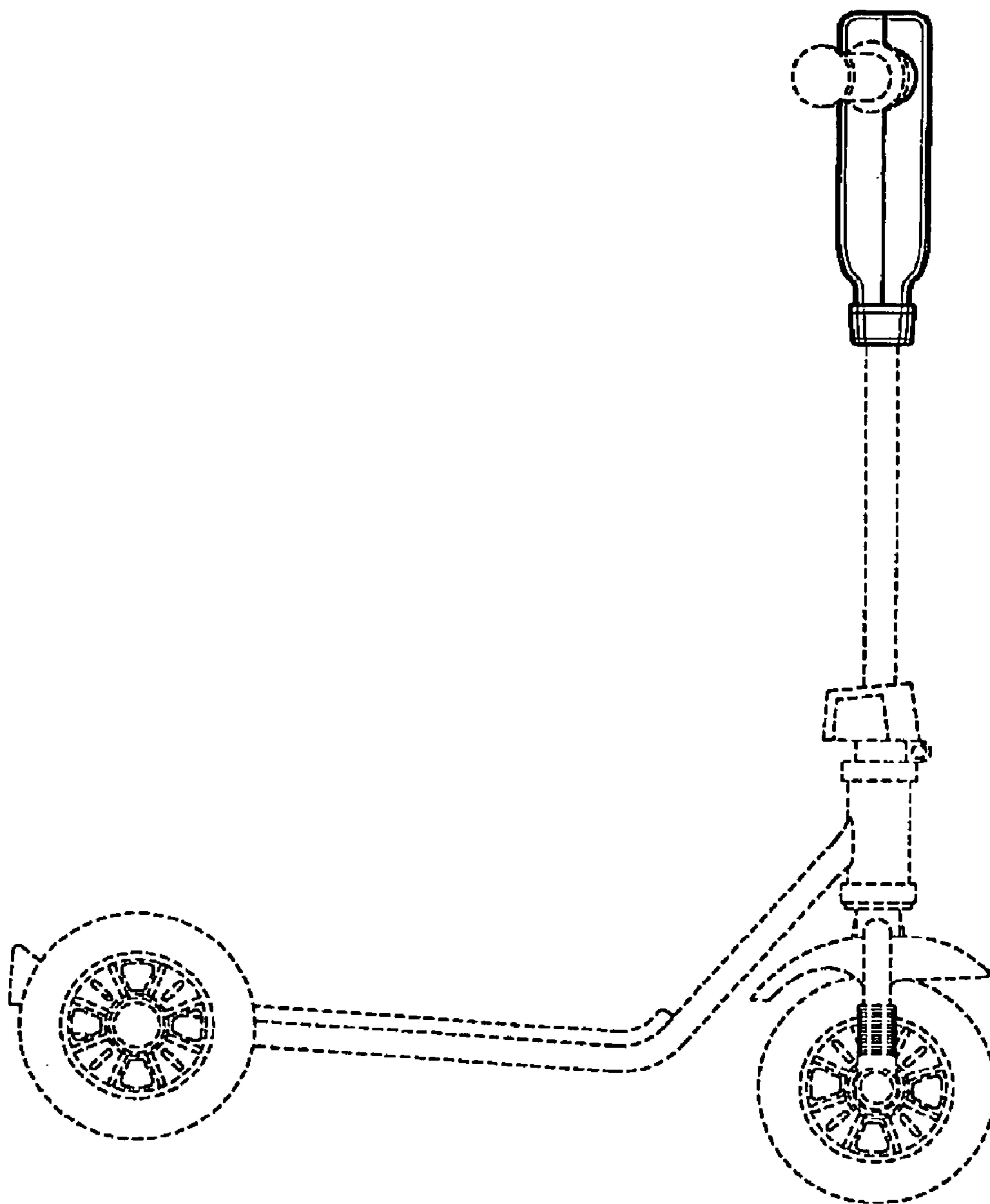


FIG. 5

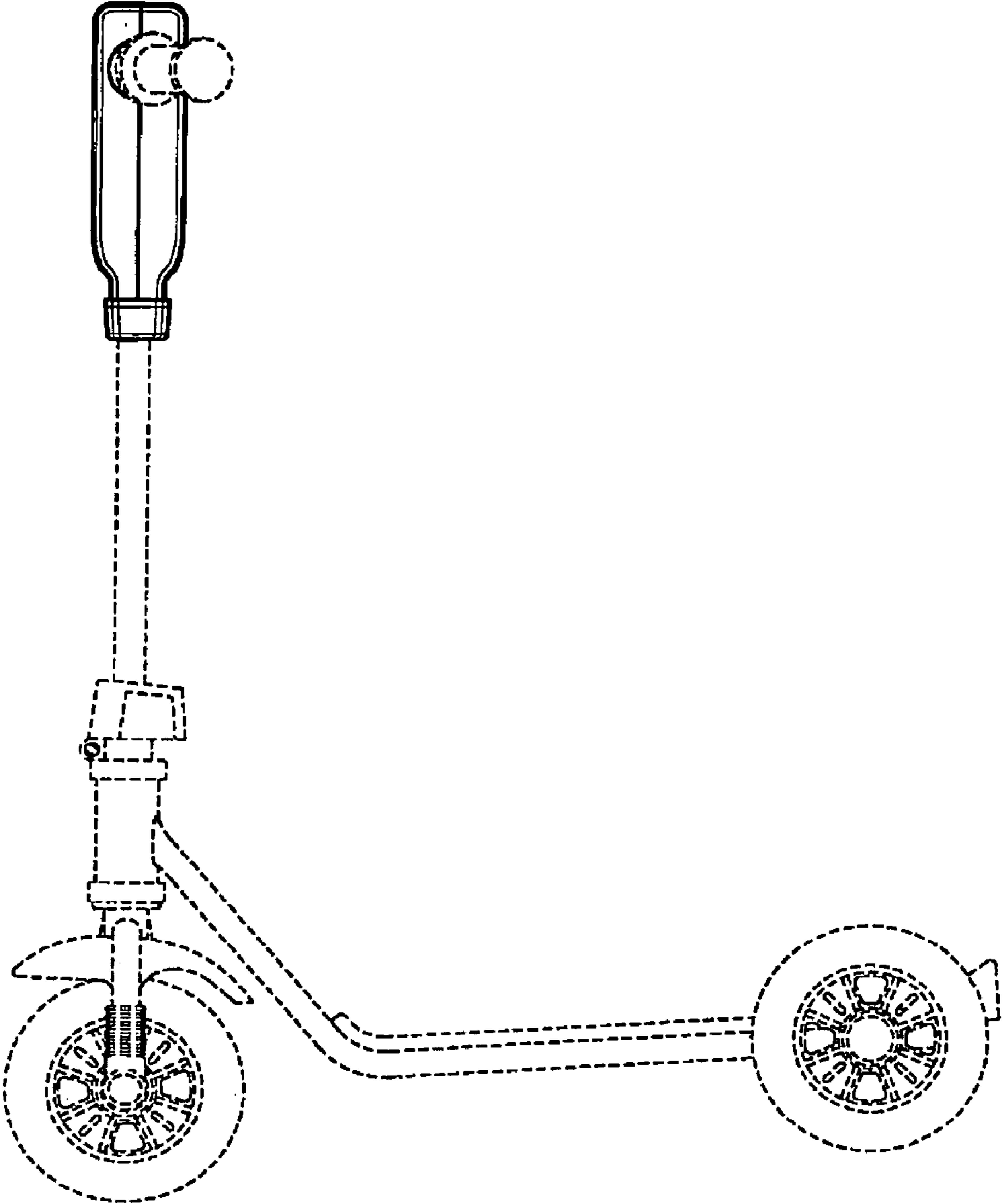


FIG. 6

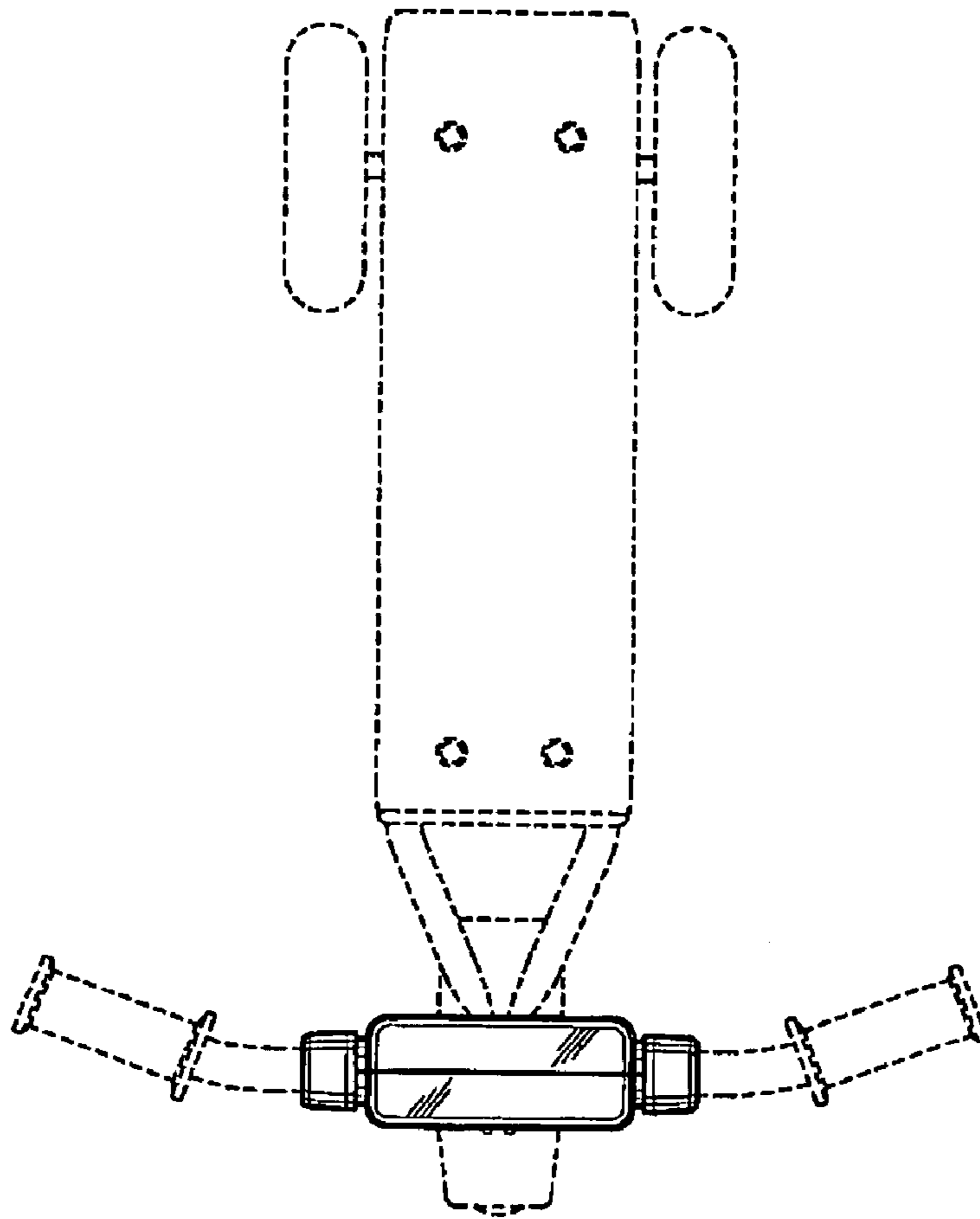


FIG. 7

