

US00D547388S

(12) **United States Design Patent**
Thomas et al.

(10) **Patent No.: US D547,388 S**
(45) **Date of Patent: ** Jul. 24, 2007**

(54) **SCOOTER**

(76) Inventors: **Enda Thomas**, 2 Horseshoe Lane,
Enfield (GB) EN2 6PY; **Ben Farrin**, 96
Northfield Road, Waltham Cross (GB)
EN8 7RD; **Maurice Martin**, 78 Crest
Road, London (GB) NW2 7LX

2,861,814 A * 11/1958 Rebhun 280/243
D280,980 S * 10/1985 Oh et al. D12/112
6,179,307 B1 * 1/2001 Mao 280/87.041
D476,042 S * 6/2003 Hsieh D21/423
6,619,678 B2 * 9/2003 van Ardenne 280/87.041
D504,920 S * 5/2005 Hong D21/423
D513,772 S * 1/2006 Otis et al. D21/423
D533,601 S * 12/2006 Moreira D21/423

(**) Term: **14 Years**

(21) Appl. No.: **29/221,237**

(22) Filed: **Jan. 14, 2005**

(30) **Foreign Application Priority Data**

Jul. 14, 2004 (GB) 3018086
Jul. 22, 2004 (GB) 3018189
Jul. 22, 2004 (GB) 3018190
Sep. 3, 2004 (GB) 3017338
Nov. 5, 2004 (GB) 0424503.1

(51) **LOC (8) Cl.** **21-01**

(52) **U.S. Cl.** **D21/423**

(58) **Field of Classification Search** D21/423,
D21/419-435, 533, 760, 765, 771, 583; D12/107,
D12/110-112; 280/87.01, 87.021, 87.041,
280/87.042, 278, 220, 87.05; 180/181, 216,
180/219, 220

See application file for complete search history.

(56) **References Cited**

U.S. PATENT DOCUMENTS

1,227,888 A * 5/1917 Converse 280/87.041

* cited by examiner

Primary Examiner—Raphael Barkai

Assistant Examiner—Randall H. Gholson

(74) *Attorney, Agent, or Firm*—Young & Thompson

(57) **CLAIM**

The ornamental design for a scooter, as shown.

DESCRIPTION

FIG. 1 is a top, front and side perspective view of a scooter showing our new design;

FIG. 2 is a front elevational view thereof;

FIG. 3 is a side elevational view thereof from the left of FIG. 2;

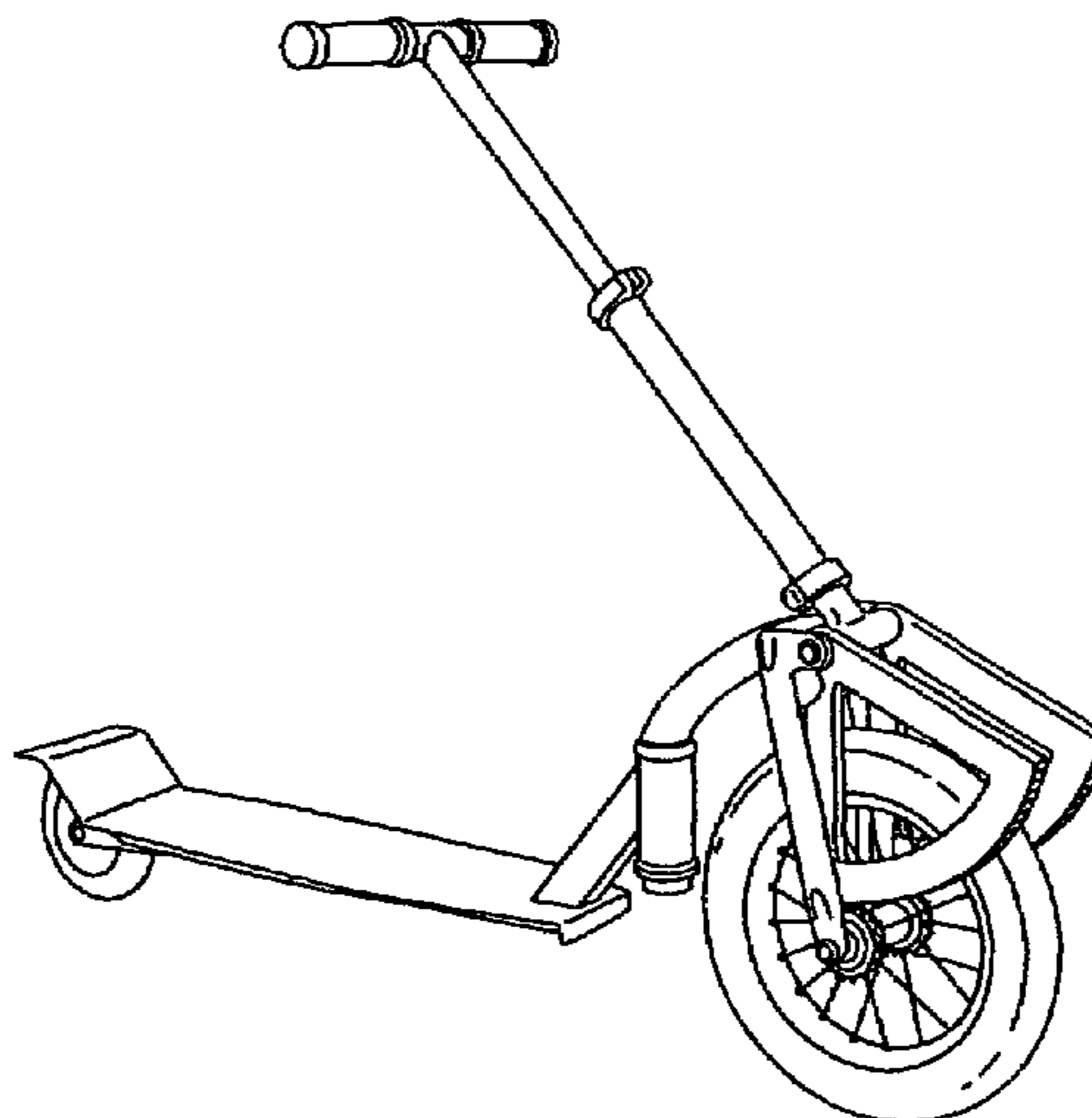
FIG. 4 is a side elevational view thereof from the right of FIG. 2;

FIG. 5 is a rear elevational view thereof;

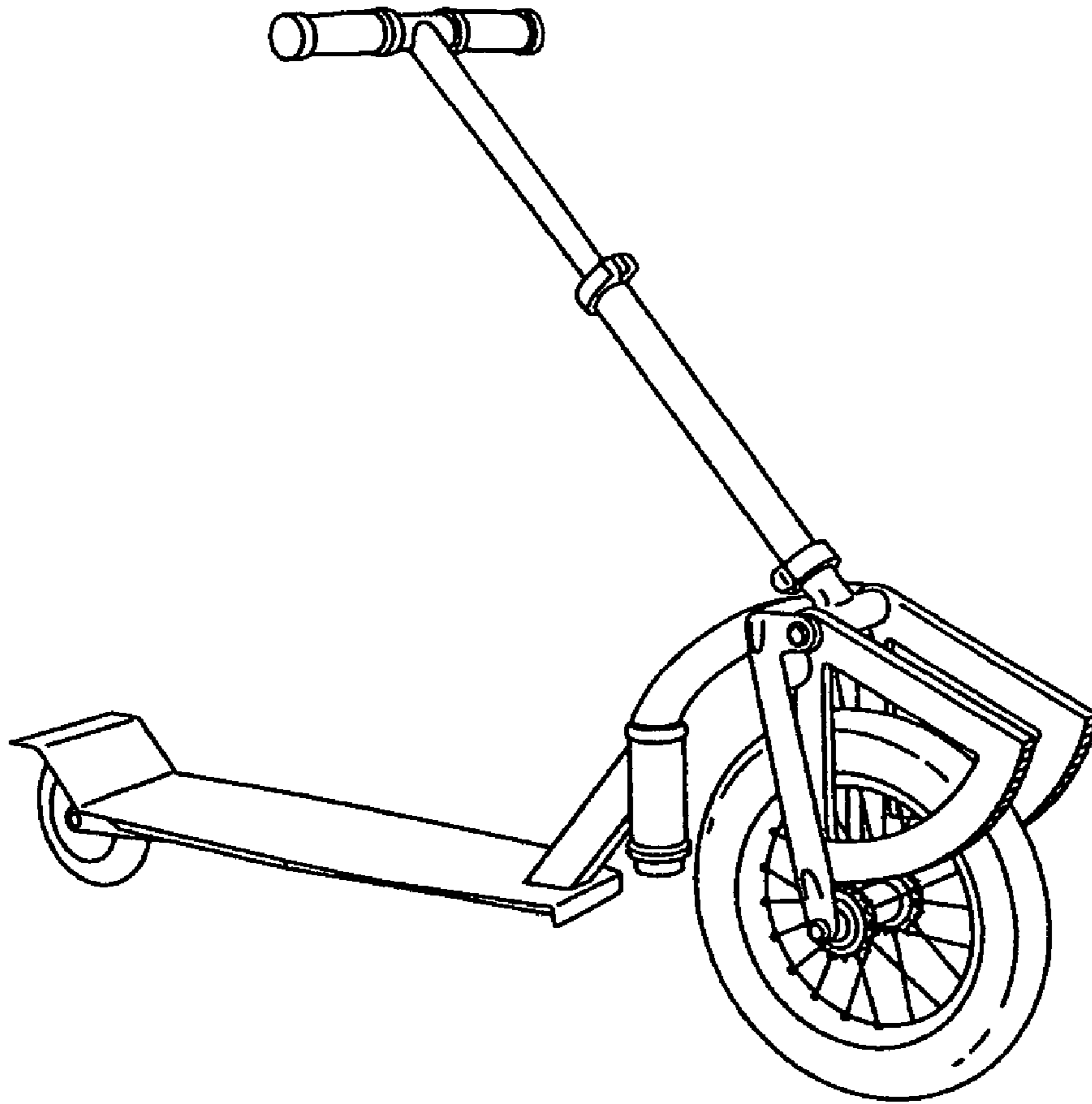
FIG. 6 is a top plan view thereof; and,

FIG. 7 is a bottom plan view thereof.

1 Claim, 7 Drawing Sheets

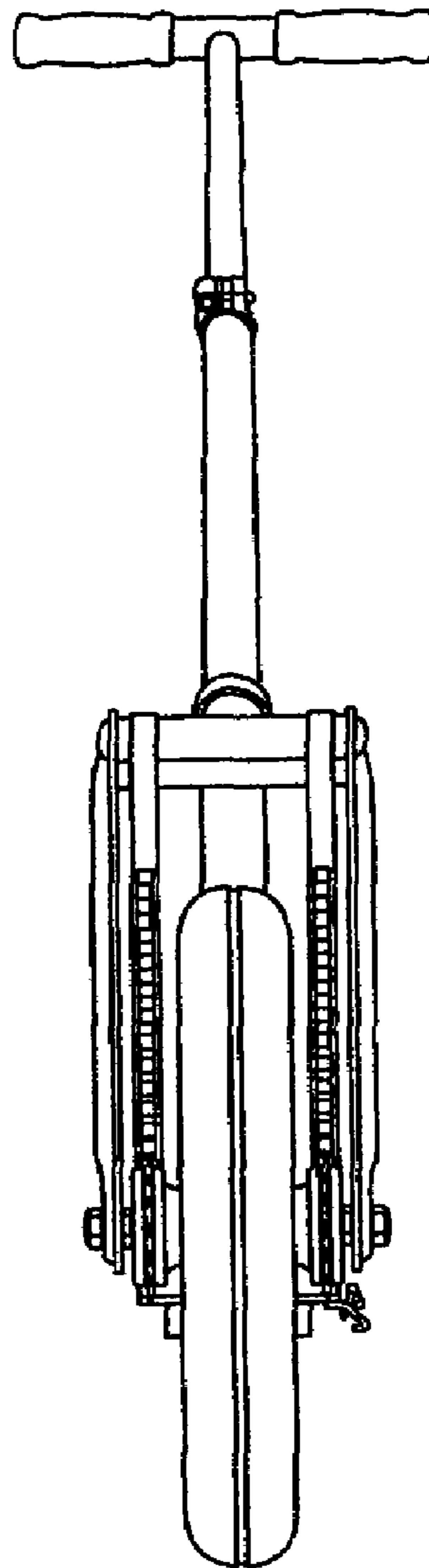


Front perspective view



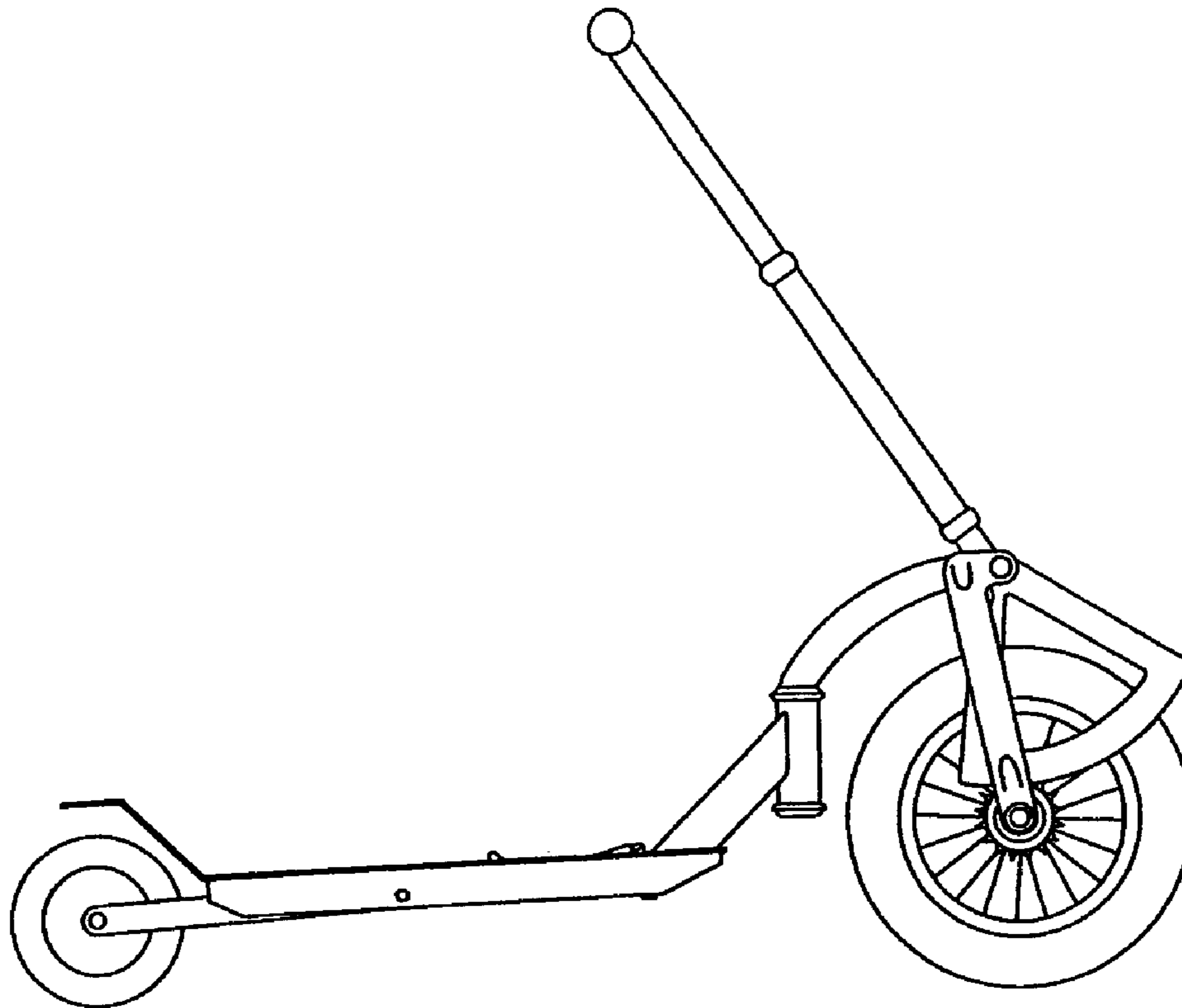
Front perspective view

FIG. 1



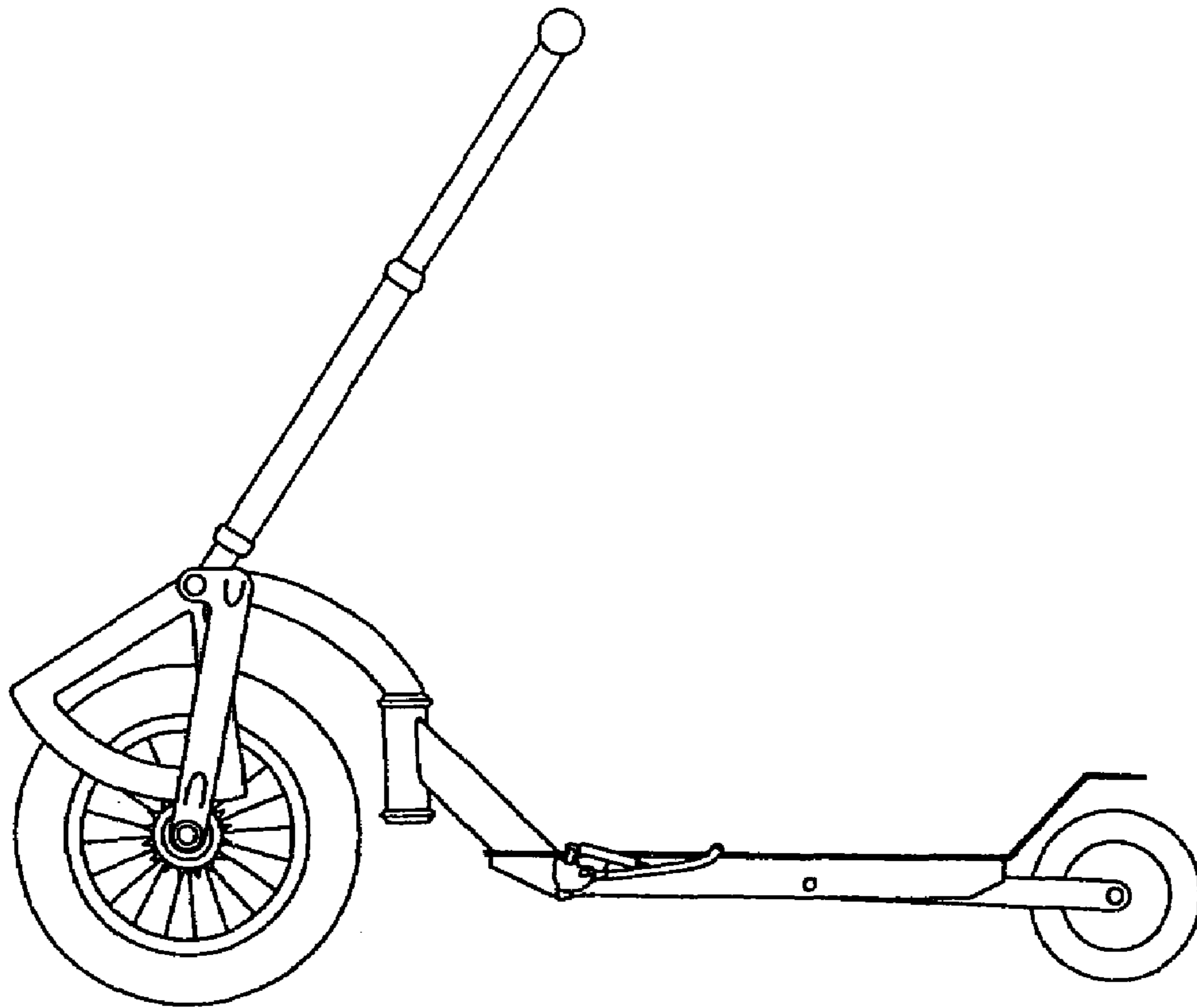
Front view

FIG. 2



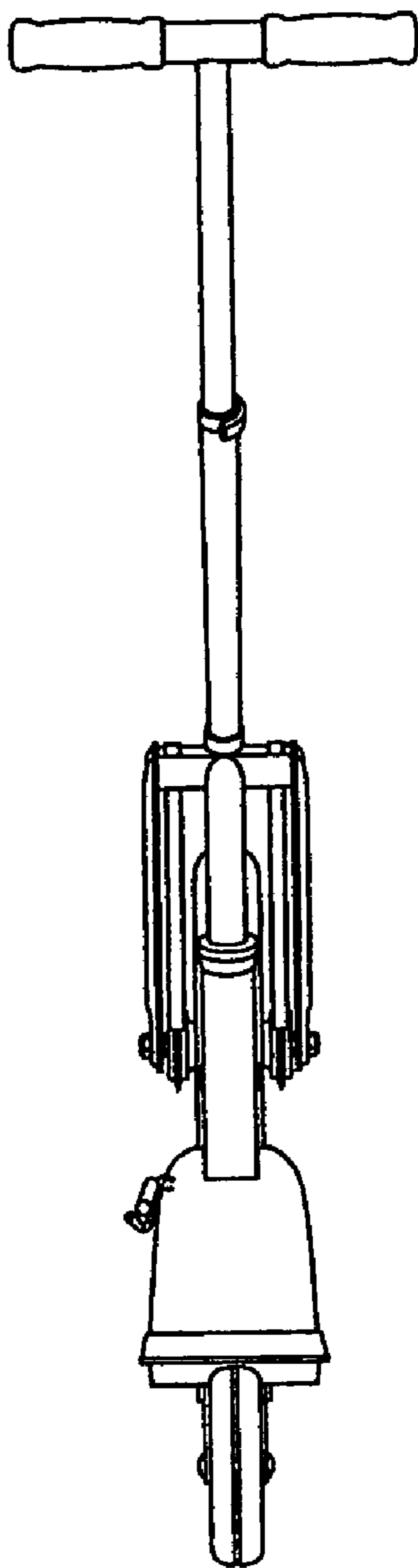
Side view

FIG. 3



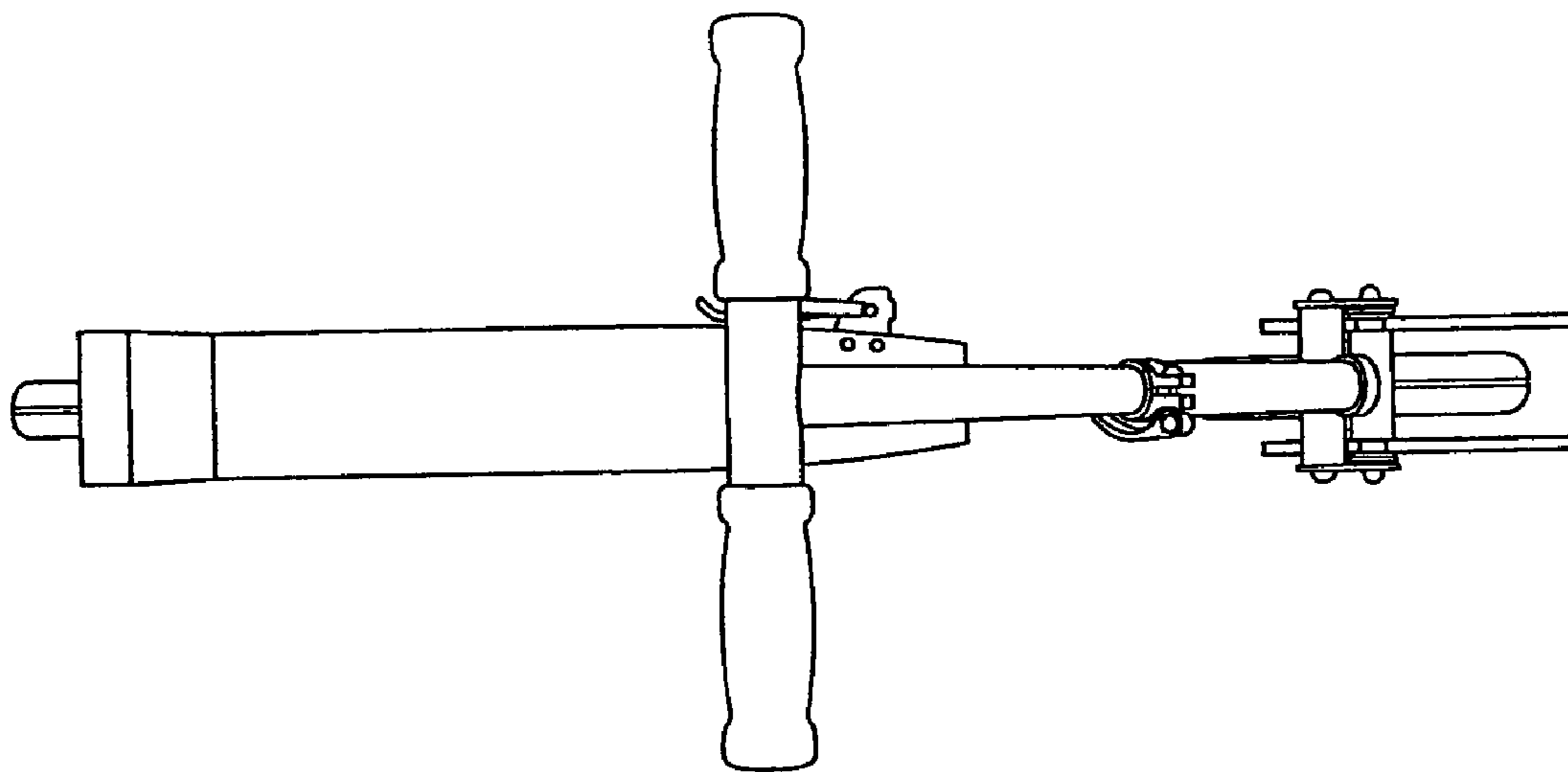
Side view

FIG. 4



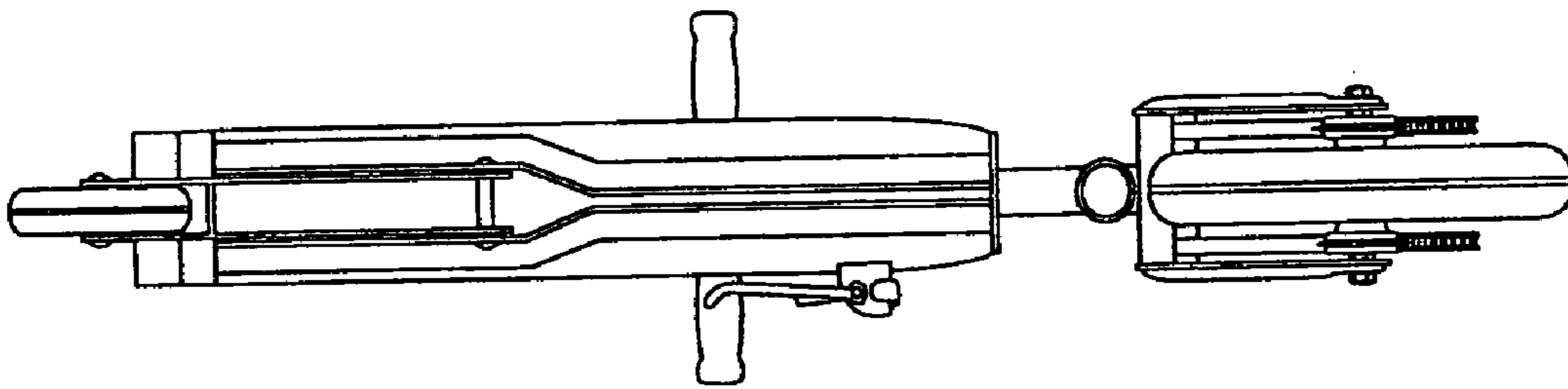
Rear view

FIG. 5



Plan view

FIG. 6



Underneath plan view

FIG. 7