



US00D547384S

(12) **United States Design Patent**  
**Lau et al.**

(10) **Patent No.:** **US D547,384 S**

(45) **Date of Patent:** **\*\* Jul. 24, 2007**

(54) **VIDEO GAME CONSOLE**

(75) Inventors: **Chun-man Santoro Lau**, New Territories (CN); **Ka-wah Chi Chow**, New Territories (CN); **Wai-chi Joyce Wong**, New Territories (CN)

(73) Assignee: **Vtech Electronics, Ltd.**, Tai Po, N.T. (HK)

(\*\*) Term: **14 Years**

(21) Appl. No.: **29/260,802**

(22) Filed: **Jun. 1, 2006**

(51) **LOC (8) Cl.** ..... **21-01**

(52) **U.S. Cl.** ..... **D21/324; D21/332**

(58) **Field of Classification Search** ..... D21/324, D21/328, 332, 333; D14/496, 400; 273/148 A, 273/148 B; 463/1, 29-35, 40-47; 361/679, 361/683, 500, 517; 725/105, 135, 141, 143, 725/153; 700/83-85

See application file for complete search history.

(56) **References Cited**

**U.S. PATENT DOCUMENTS**

D379,832 S	*	6/1997	Ashida	.....	D21/332
5,888,134 A	*	3/1999	McNair, Jr.	.....	454/184
D412,940 S	*	8/1999	Kato et al.	.....	D21/324
D419,199 S	*	1/2000	Cordell et al.	.....	D21/332
D435,272 S	*	12/2000	Swanson et al.	.....	D21/328
6,394,905 B1	*	5/2002	Takeda et al.	.....	463/29

6,565,440 B2	*	5/2003	Hames	.....	463/39
6,769,989 B2	*	8/2004	Smith et al.	.....	463/41
6,872,139 B2	*	3/2005	Sato et al.	.....	463/39
D503,750 S	*	4/2005	Kit et al.	.....	D21/324
6,966,837 B1	*	11/2005	Best	.....	463/33
7,003,588 B1	*	2/2006	Takeda et al.	.....	710/8
7,018,294 B2	*	3/2006	Silverbrook et al.	.....	463/30

\* cited by examiner

*Primary Examiner*—Prabhakar Deshmukh

(74) *Attorney, Agent, or Firm*—Greenberg Traurig, LLP

(57) **CLAIM**

The ornamental design for the housing for a video game console, as shown and described herein.

**DESCRIPTION**

FIG. 1 is a front elevational view of a video game console showing our new design;

FIG. 2 is a rear elevational view thereof;

FIG. 3 is a bottom plan view thereof, with the feet and screw access ports shown in broken lines;

FIG. 4 is a top plan view thereof;

FIG. 5 is a left side elevational view thereof;

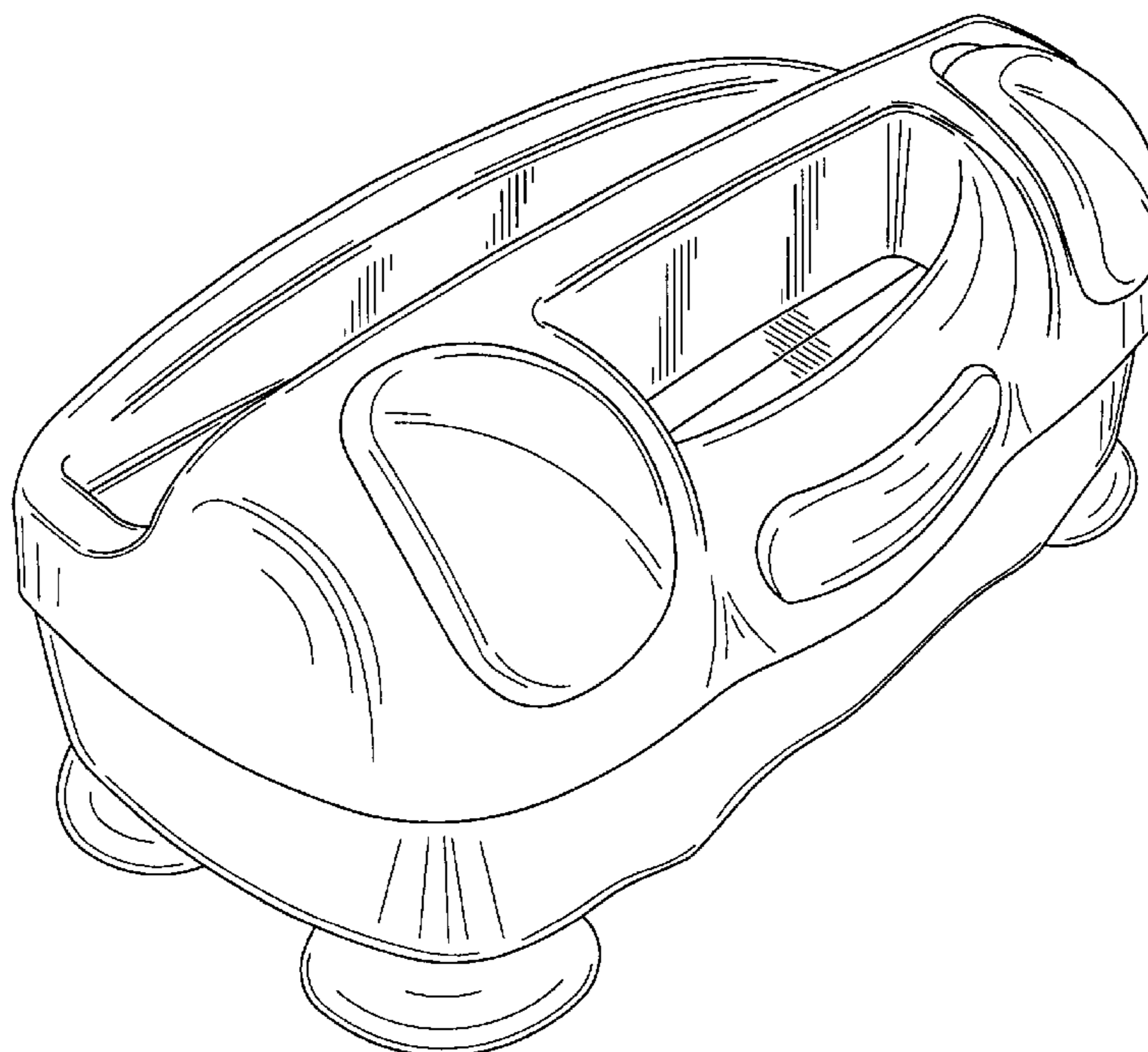
FIG. 6 is a right side elevational view thereof;

FIG. 7 is a perspective view thereof; and,

FIG. 8 is another perspective view thereof, shown in its environmental use with a video cartridge shown in broken lines.

The broken lines are for illustrative purpose only and form no part of the claimed design.

**1 Claim, 4 Drawing Sheets**



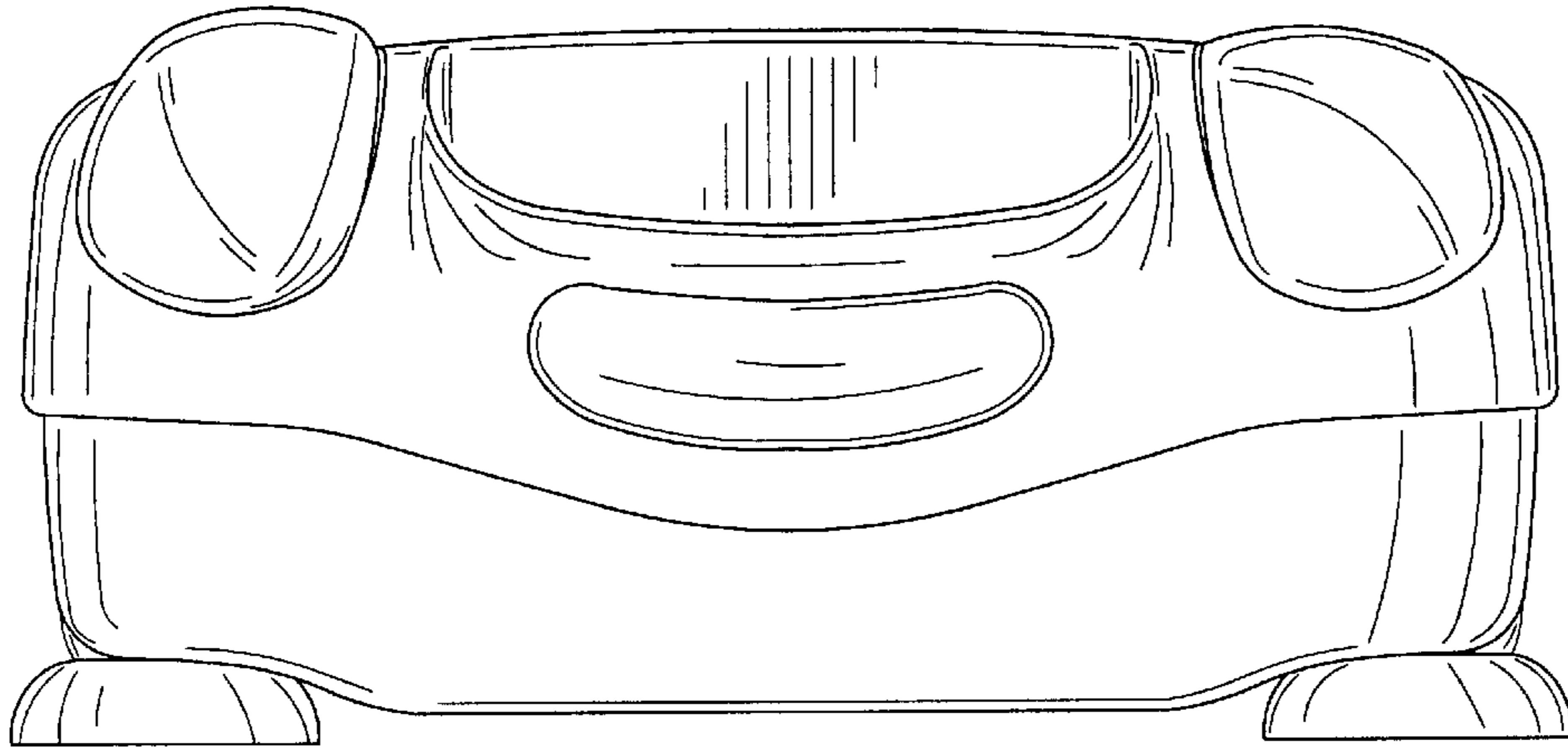


FIG. 1

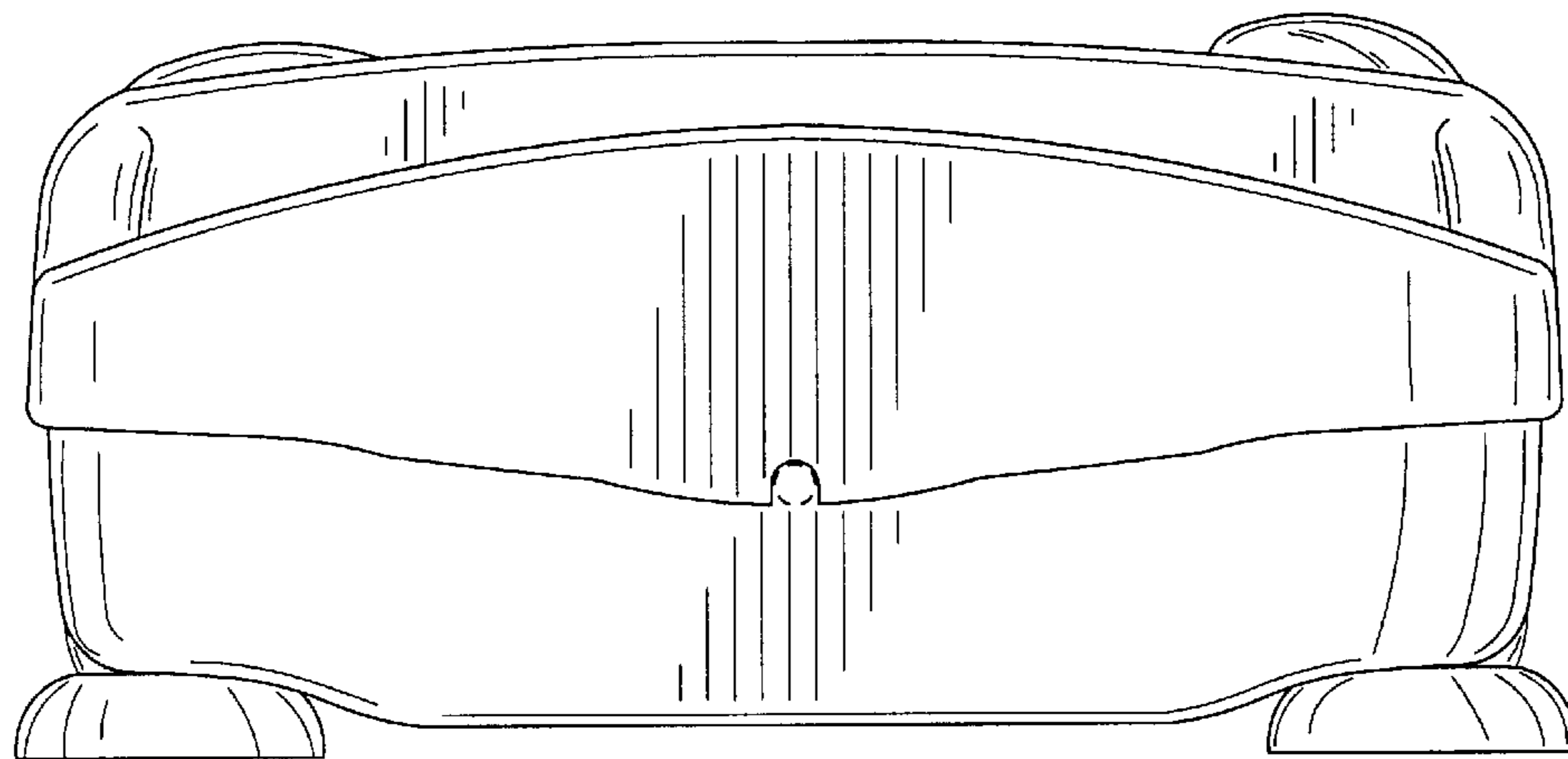
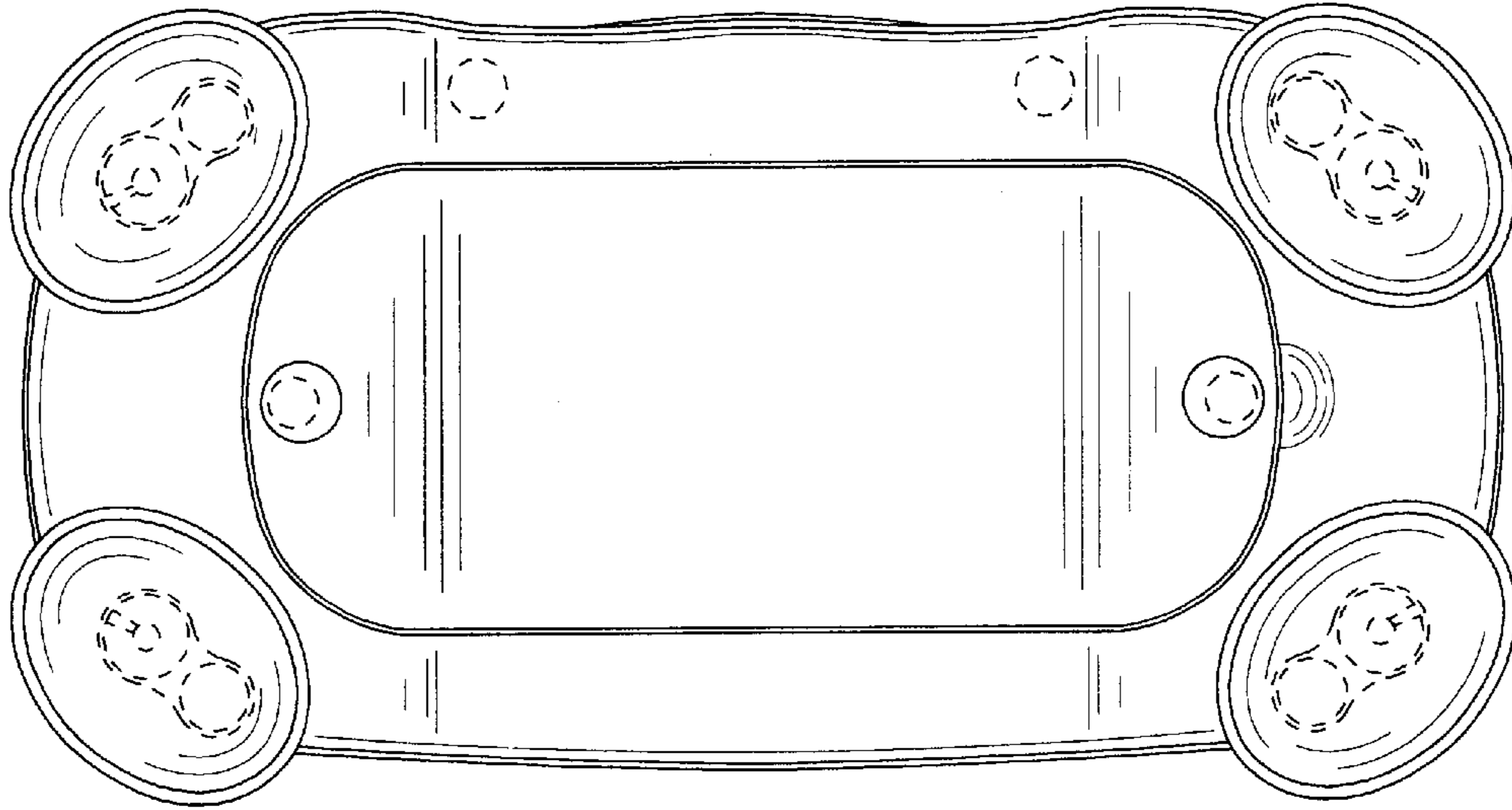
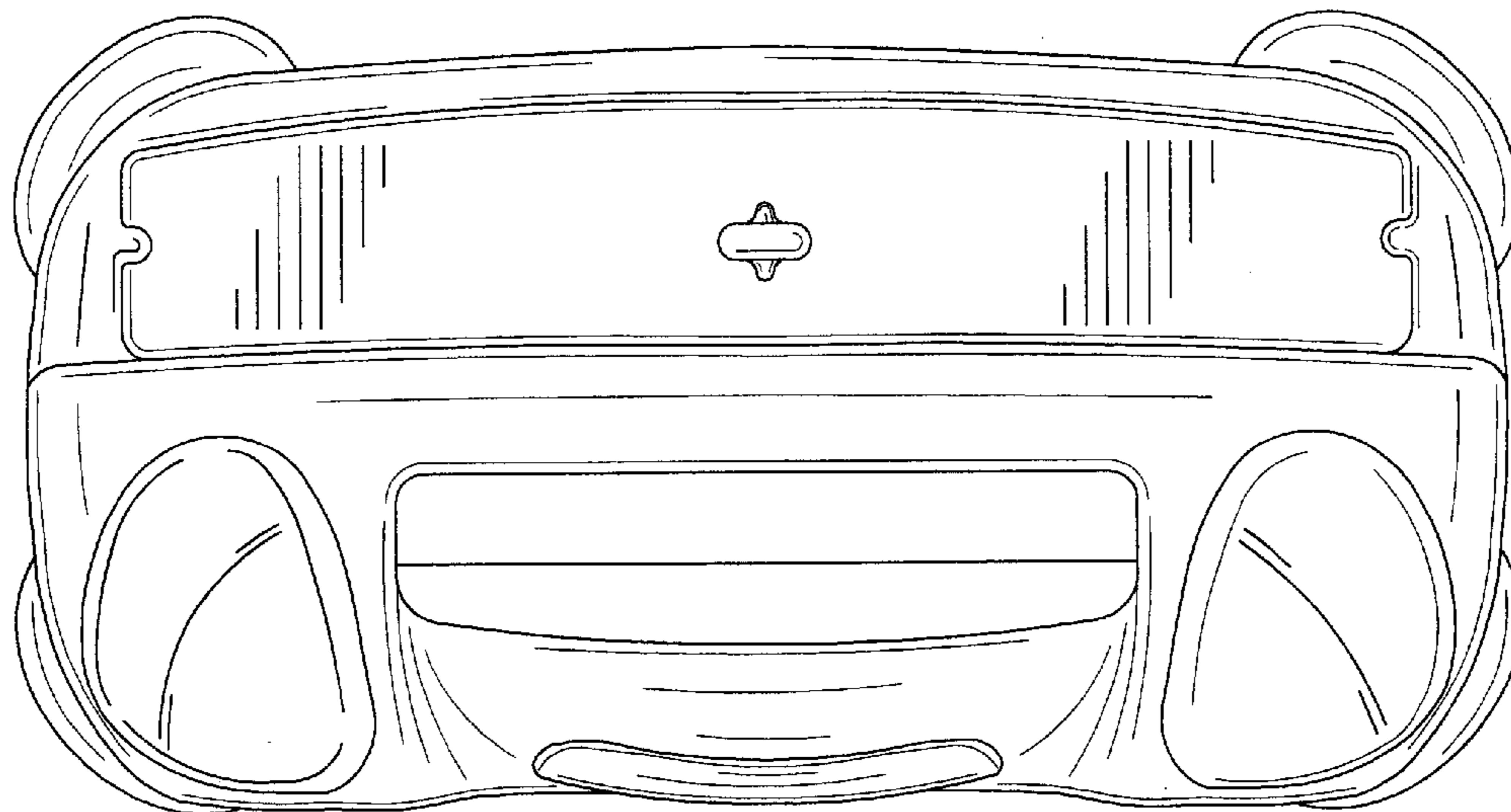


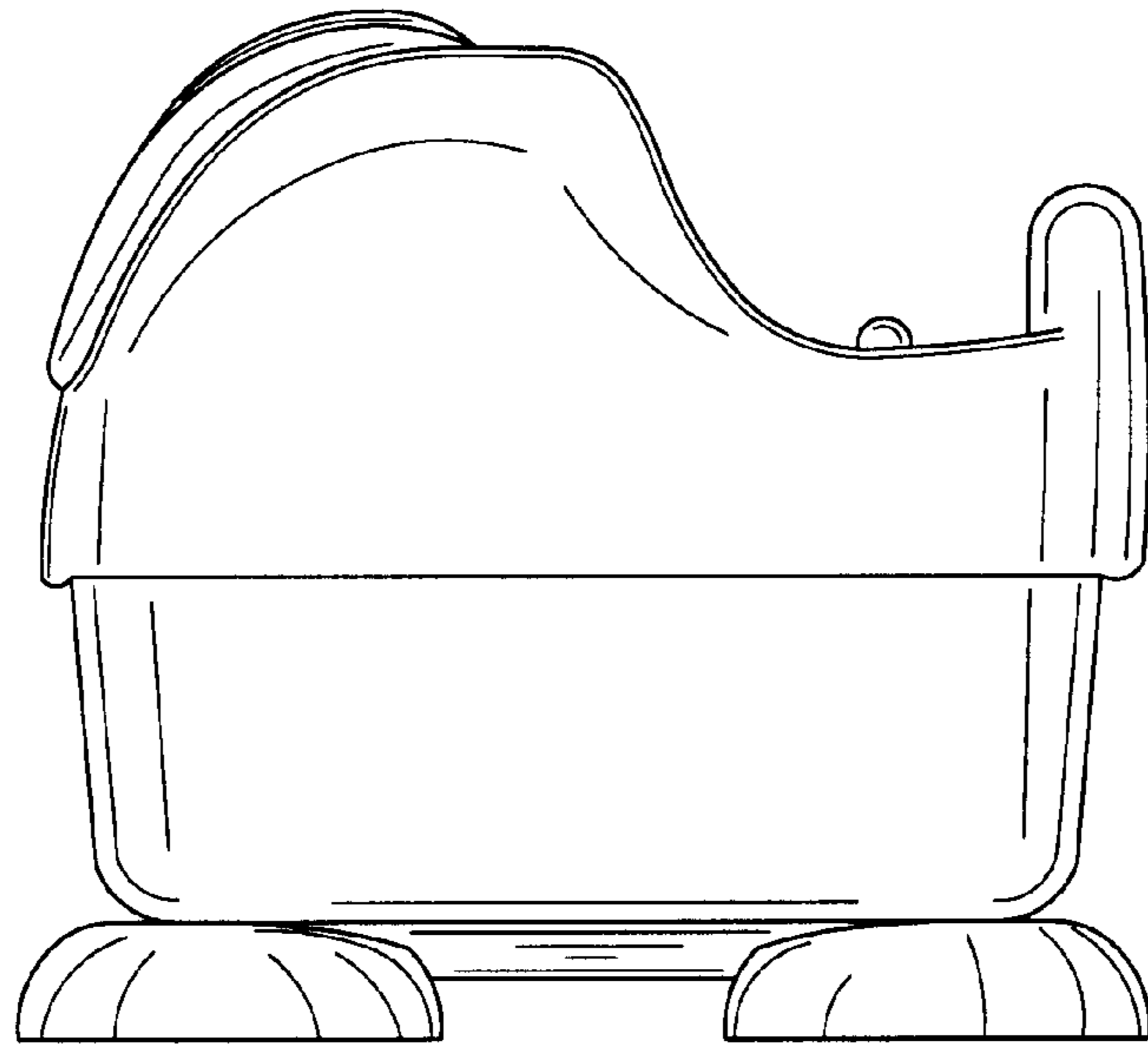
FIG. 2



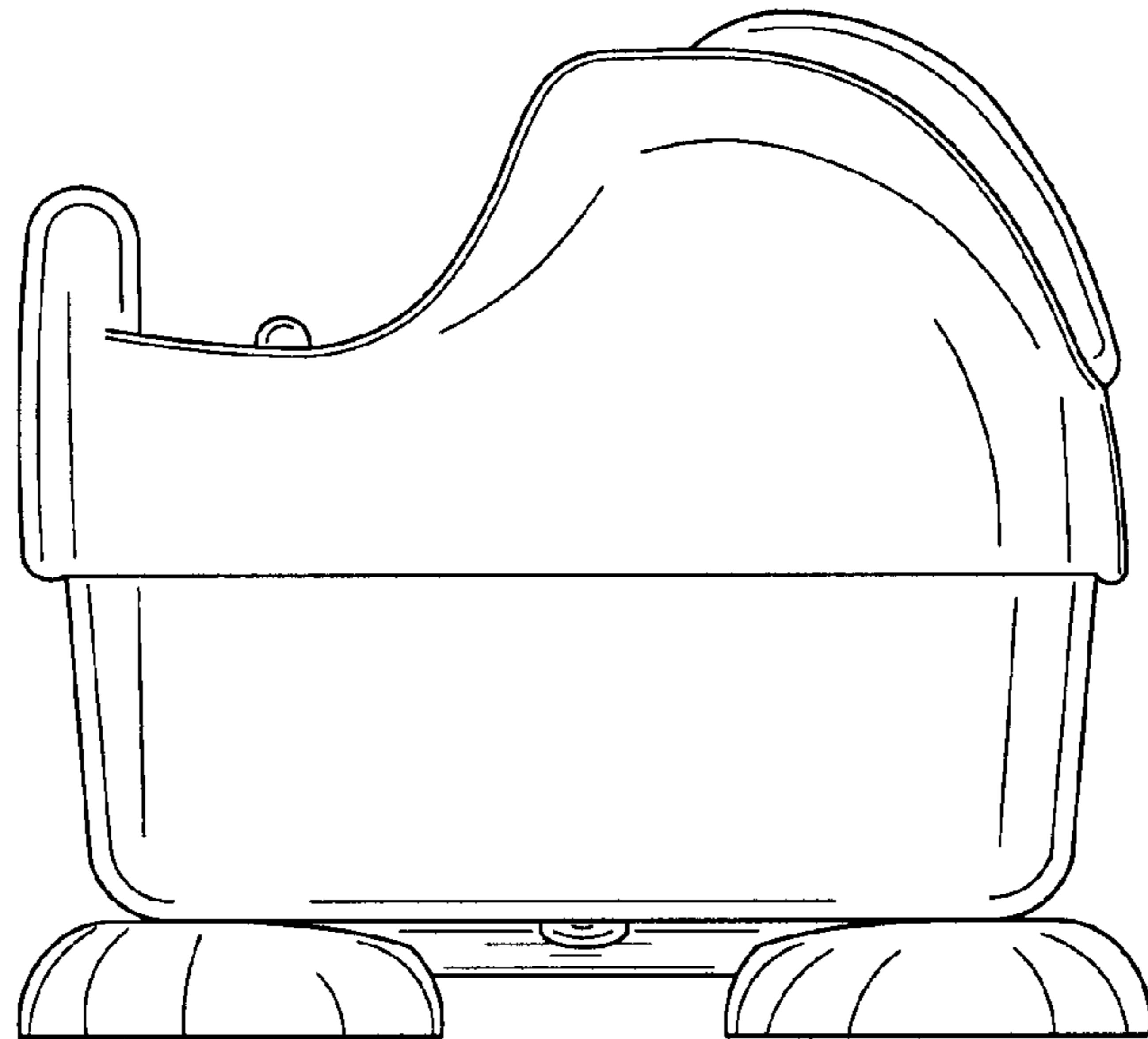
**FIG. 3**



**FIG. 4**

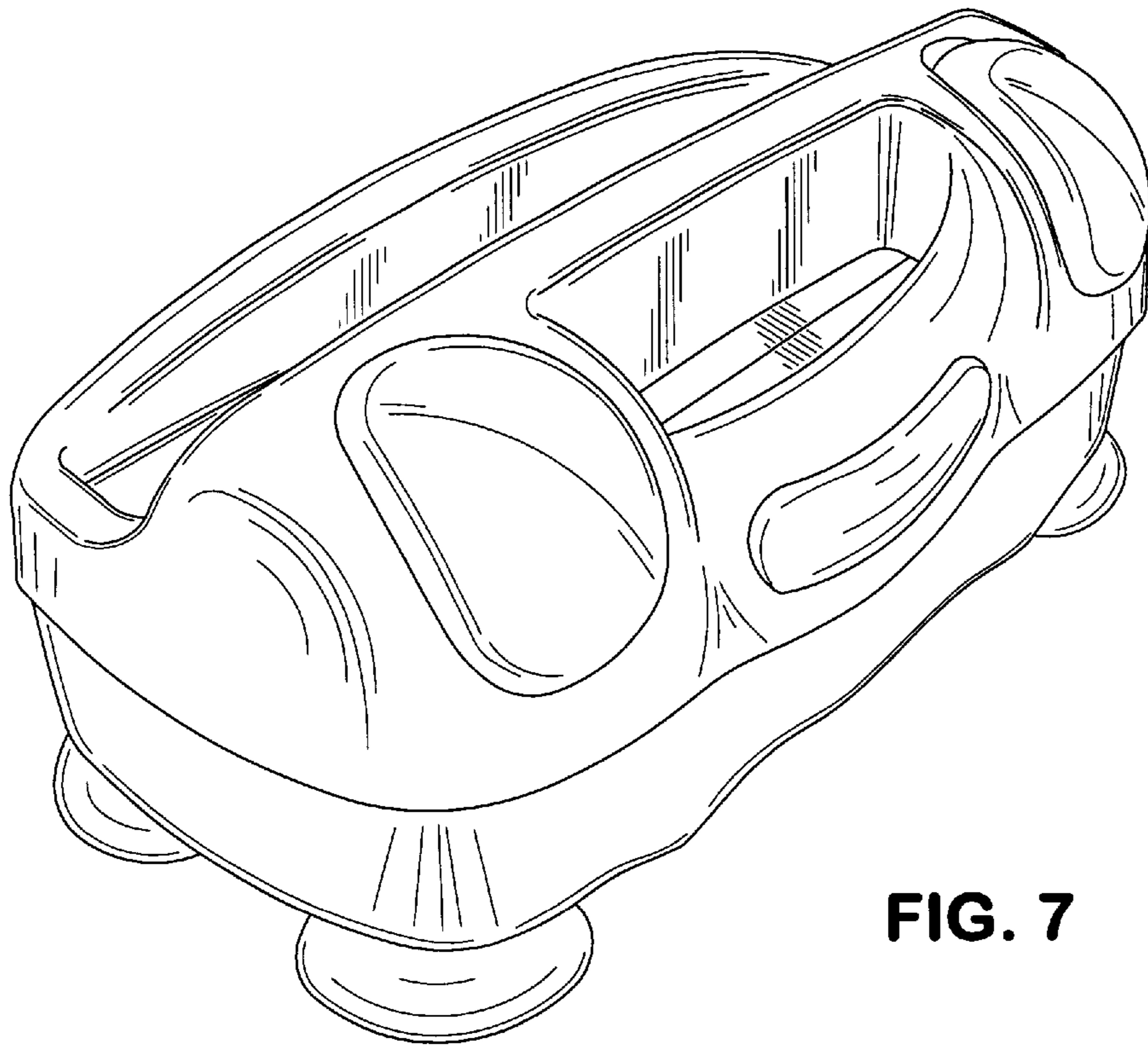


**FIG. 5**

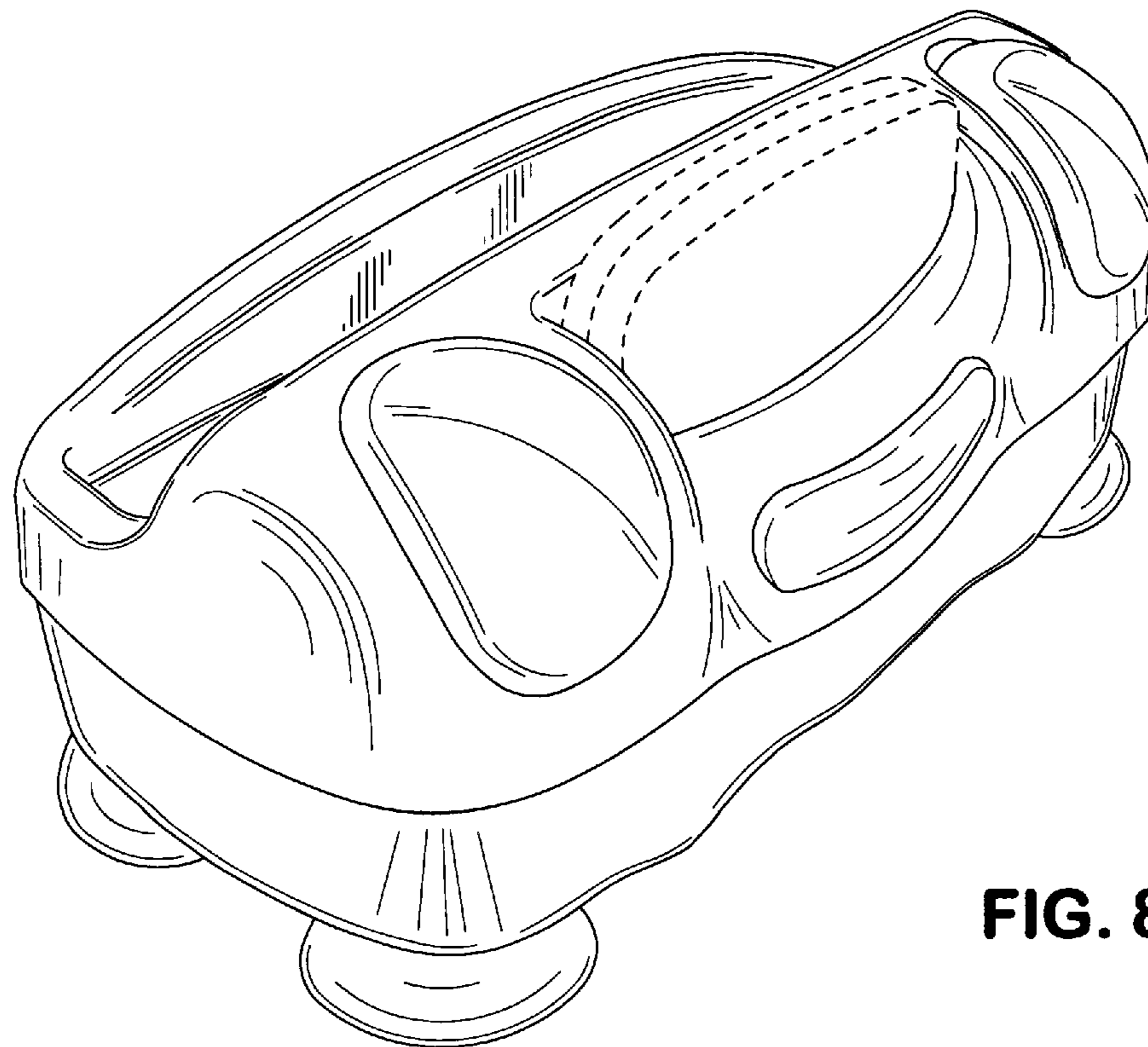


**FIG. 6**





**FIG. 7**



**FIG. 8**