

US00D547374S

(12) **United States Design Patent**  
**Deng**

(10) **Patent No.:** **US D547,374 S**

(45) **Date of Patent:** **\*\* Jul. 24, 2007**

(54) **PEN WITH A USB CONNECTOR**

(76) Inventor: **Alex Deng**, 5F., No. 9, Wugong 5<sup>th</sup> Rd.,  
Sinjhuang City, Taipei County (TW)

(\*\*) Term: **14 Years**

(21) Appl. No.: **29/238,259**

(22) Filed: **Sep. 14, 2005**

(51) **LOC (8) Cl.** ..... **19-06**

(52) **U.S. Cl.** ..... **D19/36**

(58) **Field of Classification Search** ..... D19/35,  
D19/36, 41-51, 54-57; 24/11 R, 11 F, 11 P;  
401/52, 99, 100, 104-109, 192, 195  
See application file for complete search history.

(56) **References Cited**

**U.S. PATENT DOCUMENTS**

2,427,068	A *	9/1947	Randolph	.....	401/106
2,557,054	A *	6/1951	Mansheim	.....	401/114
2,939,426	A *	6/1960	Rodenhauser et al.	.....	401/247
5,617,304	A *	4/1997	Huang	.....	362/118
D389,864	S *	1/1998	Jones et al.	.....	D19/48
D412,718	S *	8/1999	Waldinger	.....	D19/48
6,773,192	B1 *	8/2004	Chao	.....	401/195
D497,616	S *	10/2004	Ma et al.	.....	D14/431
D502,216	S *	2/2005	Chen	.....	D19/36

**OTHER PUBLICATIONS**

Item HW-2091C (as indicated by arrow), Hong Kong Enterprises catalog, Jul. 2003, p. 722 (1 page).\*

Item 3099C, USB & Laser Ball Pen, www.Jaguarpen.com, 2003 catalog (1 page).\*

Item A CRO-575, (New! Black Lacquer) in top left-hand corner, Miller's Office Supplies, 1995 Catalog, p. 771 (1 page).\*

\* cited by examiner

*Primary Examiner*—Elizabeth A. Albert  
*Assistant Examiner*—Karen E. Eldridge Powers  
(74) *Attorney, Agent, or Firm*—Leong C. Lei

(57) **CLAIM**

The ornamental design for a pen with a USB connector, as shown and described.

**DESCRIPTION**

FIG. 1 is a perspective view of a pen with a USB connector showing my new design;

FIG. 2 is a front elevational view thereof;

FIG. 3 is a rear elevational view thereof;

FIG. 4 is a left side elevational view thereof;

FIG. 5 is a right side elevational view thereof;

FIG. 6 is a top plan view thereof;

FIG. 7 is a bottom plan view thereof;

FIG. 8 is a perspective view thereof, with the tip of the pen extended;

FIG. 9 is an exploded perspective view thereof, with the USB connector exposed;

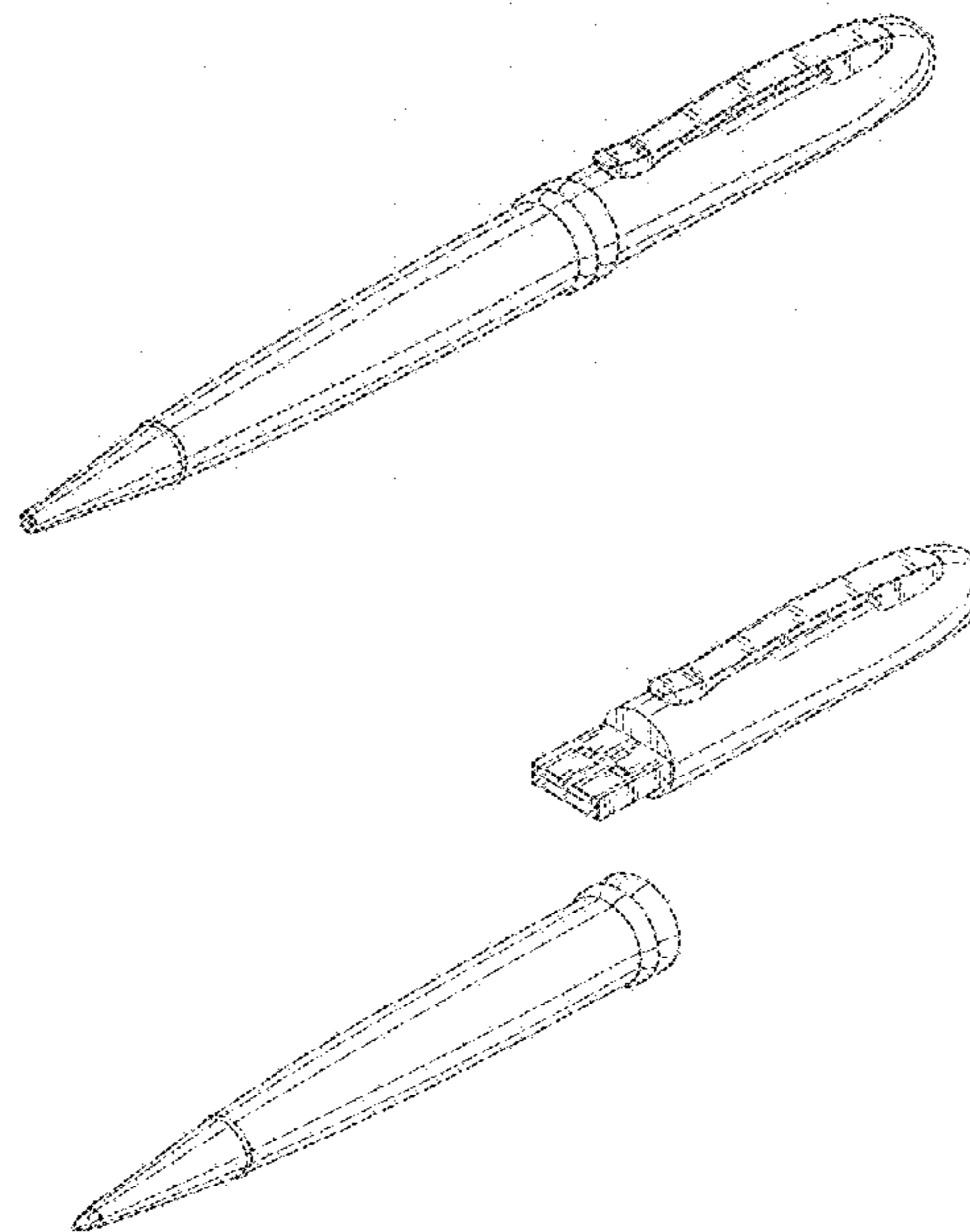
FIG. 10 is an exploded perspective view thereof, with the USB connector exposed and the tip of the pen extended;

FIG. 11 is a right elevational view of the upper part thereof, shown without the lower part of the pen for convenience;

FIG. 12 is a rear elevational view of the upper part thereof; and,

FIG. 13 is a front elevational view of the upper part thereof.

**1 Claim, 8 Drawing Sheets**



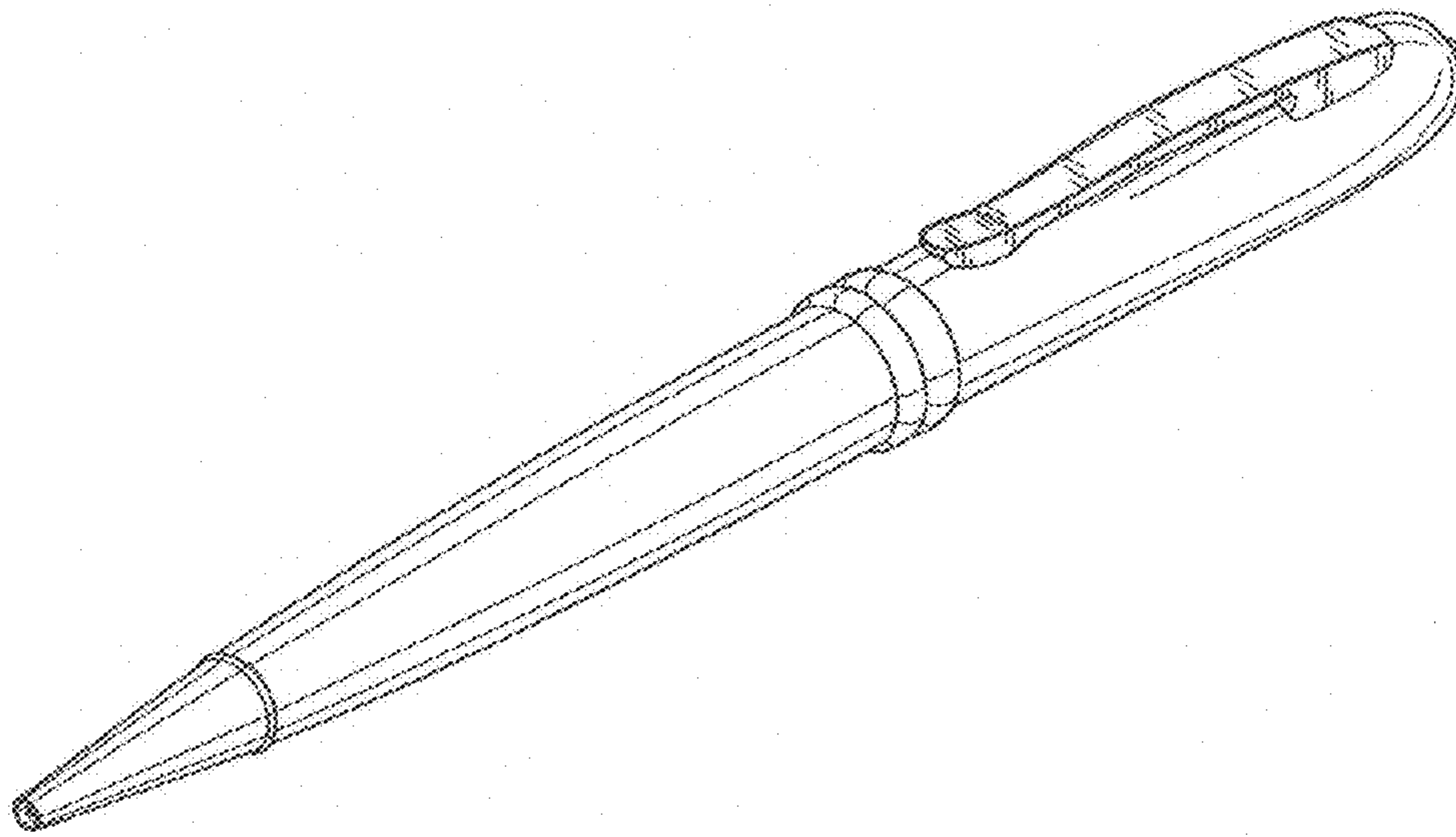


FIG. 1

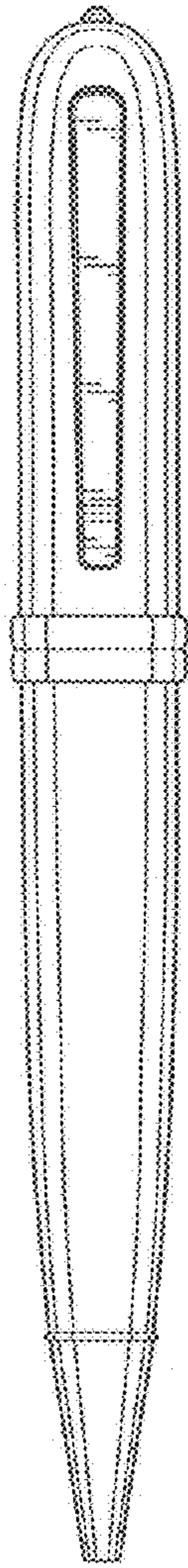


FIG. 2

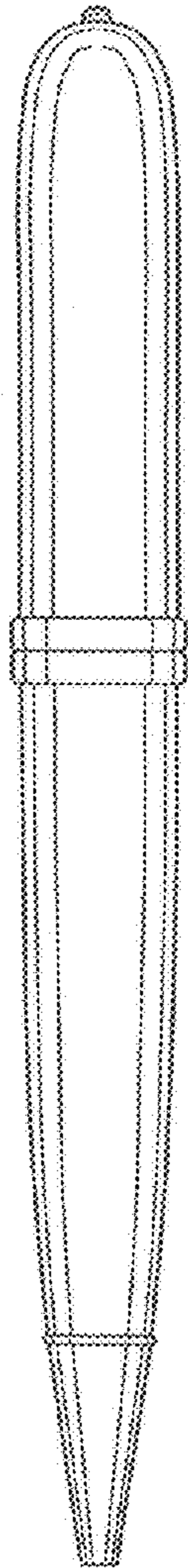


FIG. 3

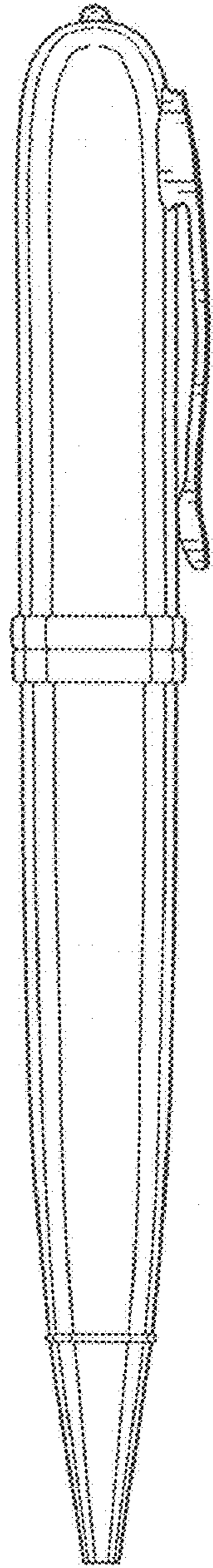


FIG. 4

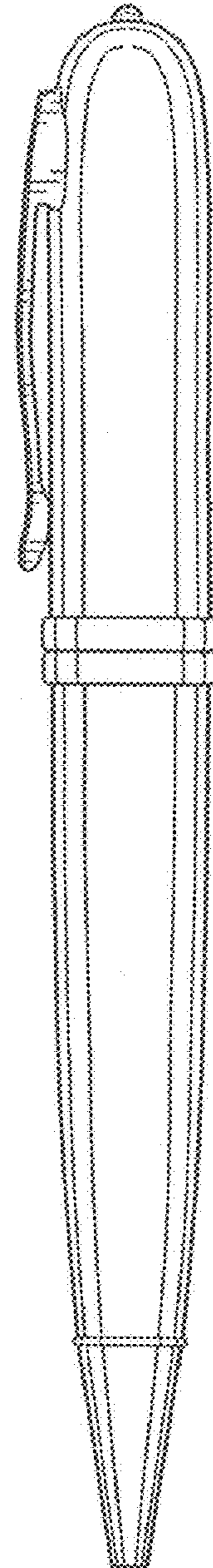


FIG. 5

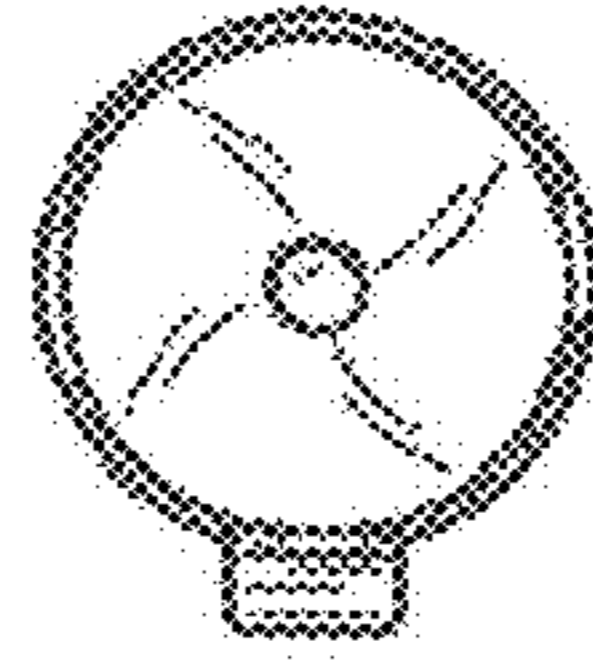


FIG. 6

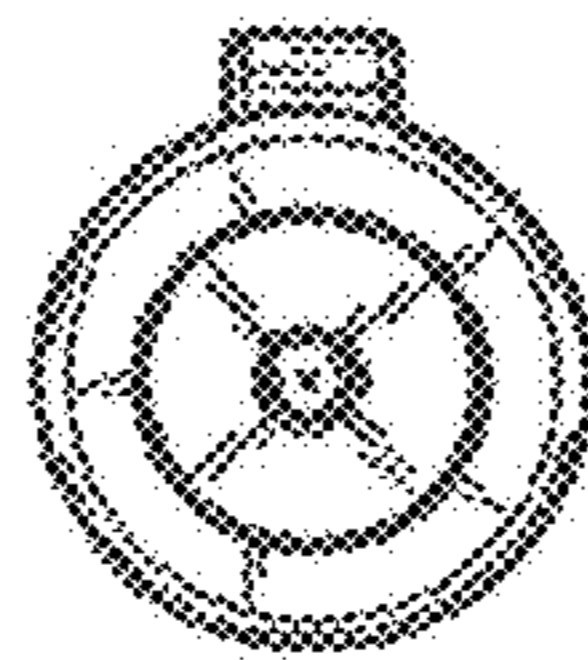


FIG. 7

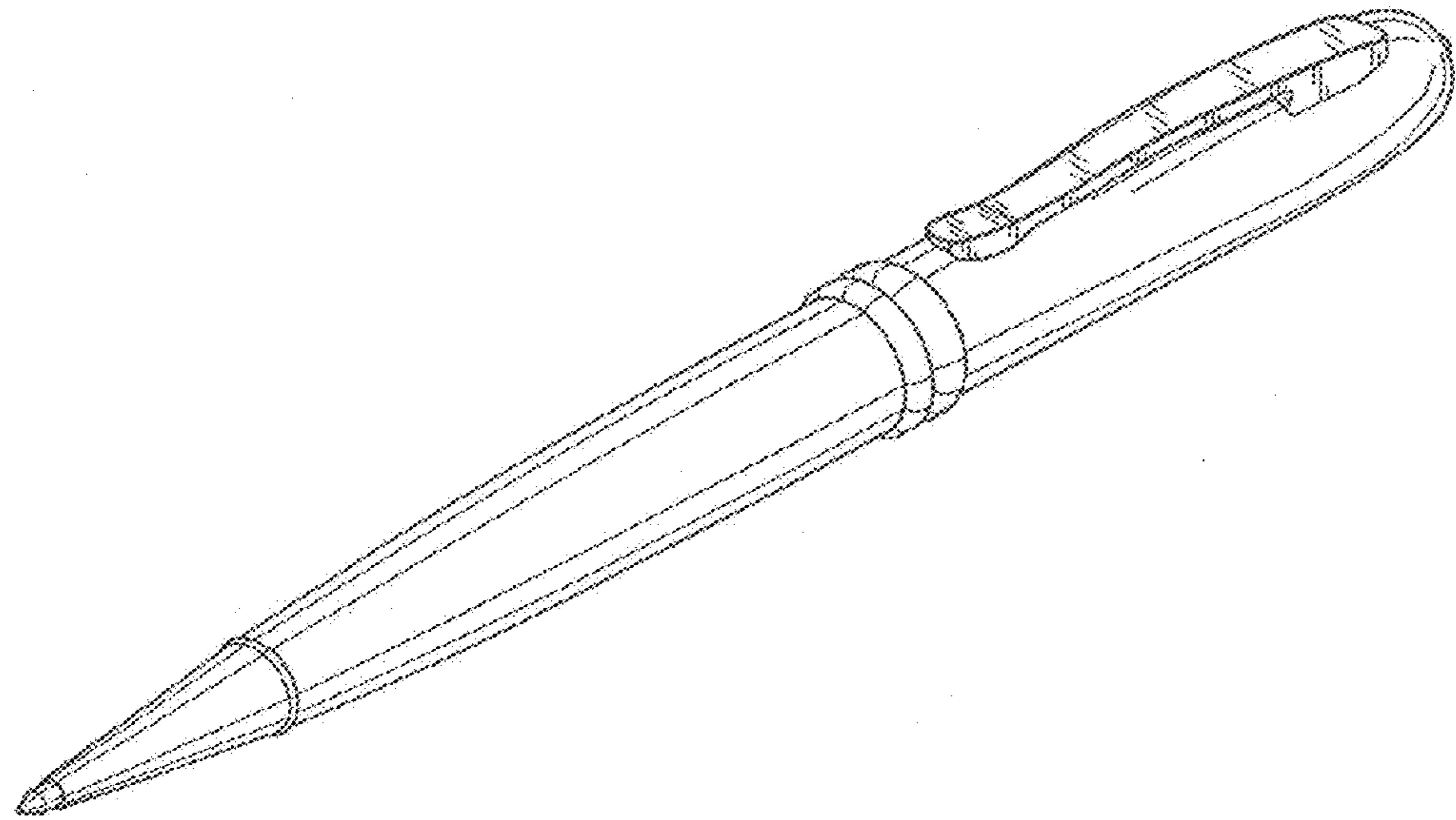


FIG. 8

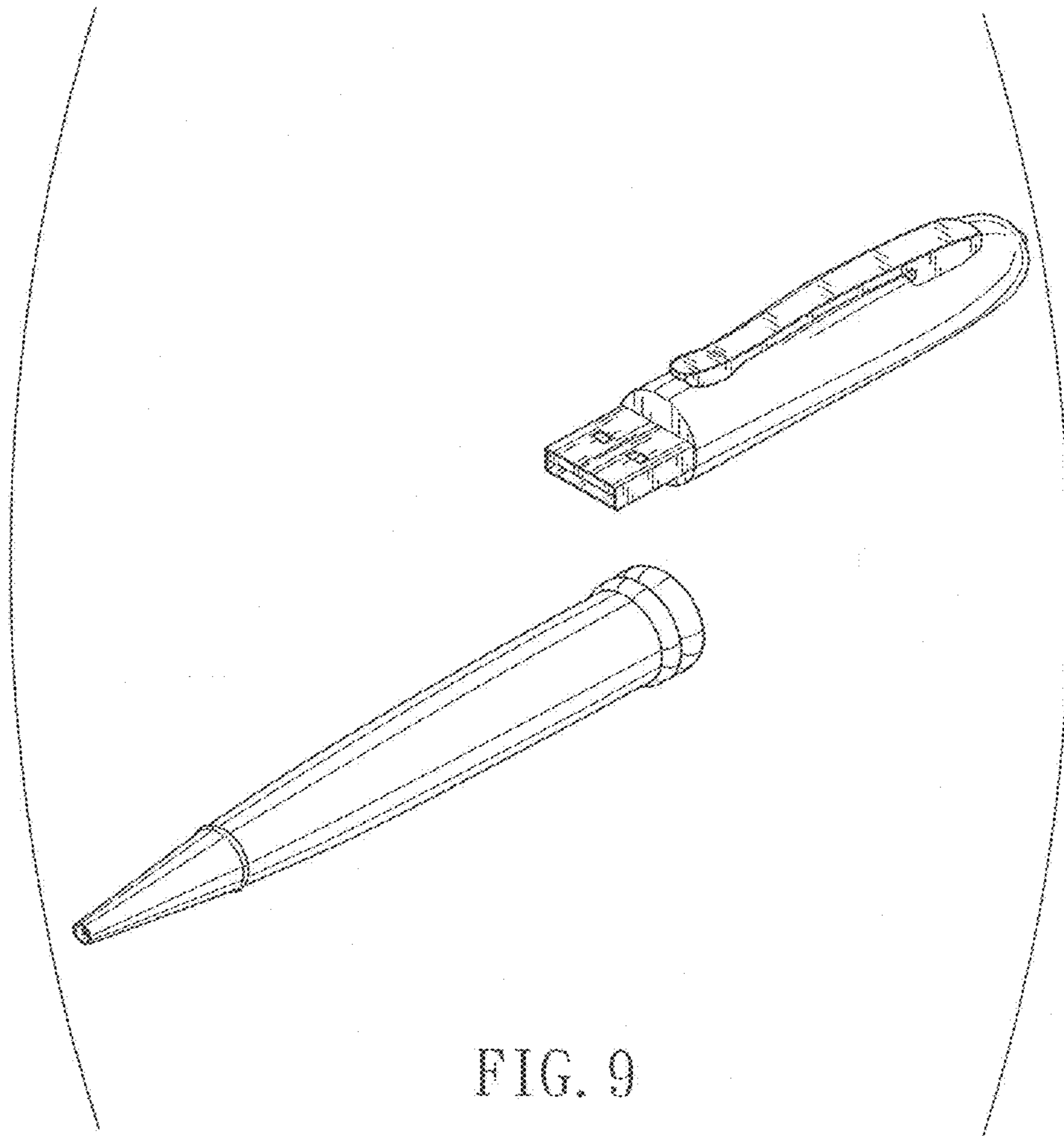


FIG. 9

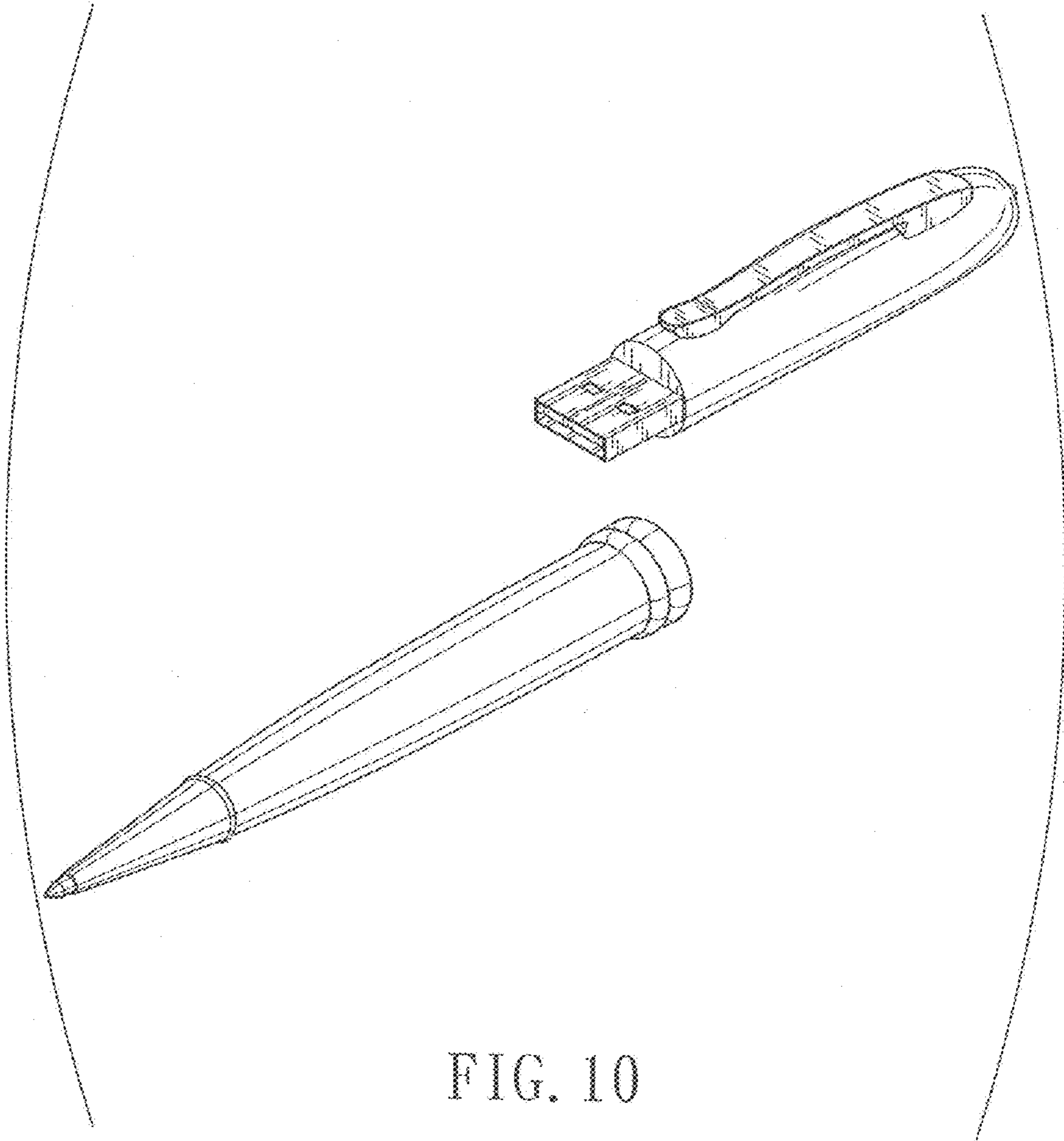


FIG. 10



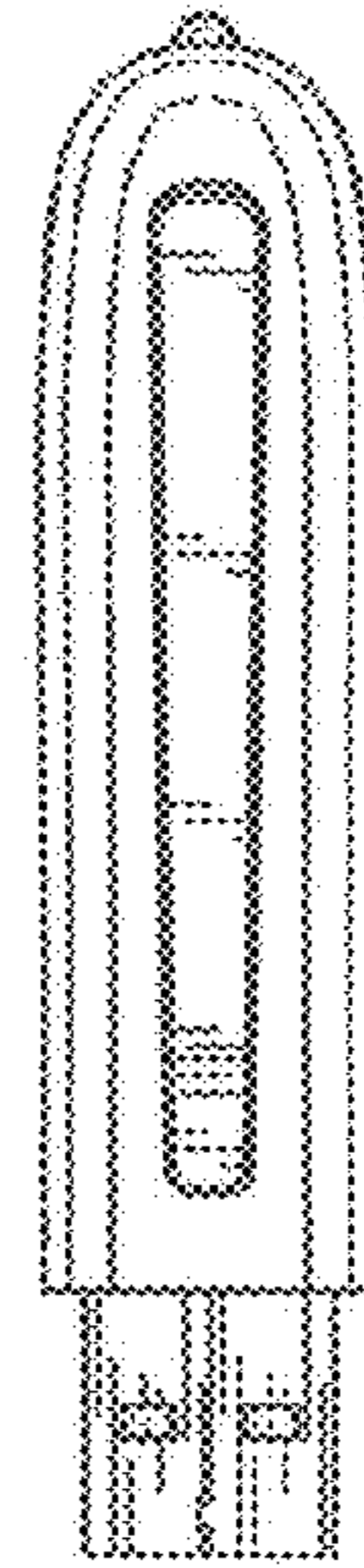
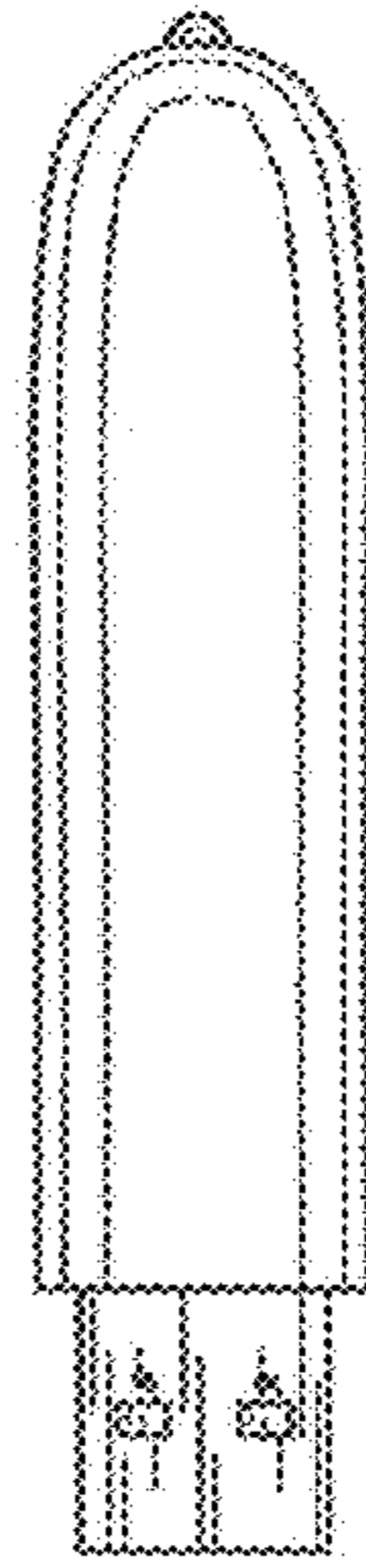
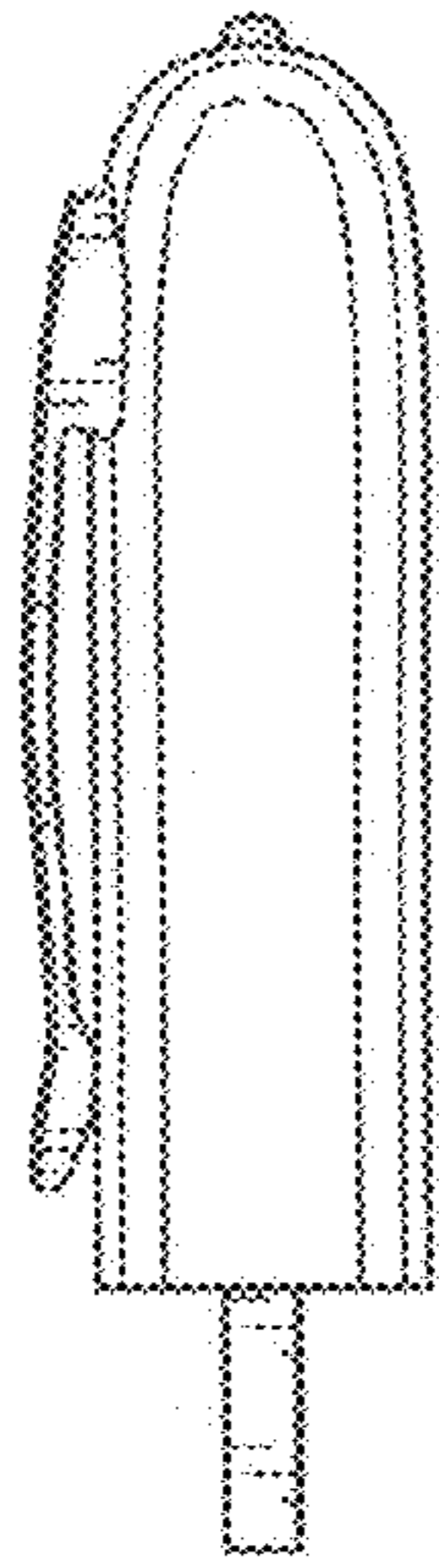


FIG. 11

FIG. 12

FIG. 13