



US00D547370S

(12) **United States Design Patent**
Hattori et al.

(10) **Patent No.:** **US D547,370 S**
(45) **Date of Patent:** **** Jul. 24, 2007**

(54) **FRAME OF INK CARTRIDGE**

(75) Inventors: **Shingo Hattori**, Tsushima (JP);
Toyonori Sasaki, Anjyo (JP);
Tomohiro Kanbe, Nagoya (JP)

(73) Assignee: **Brother Industries, Ltd.**, Nagoya (JP)

(**) Term: **14 Years**

(21) Appl. No.: **29/256,709**

(22) Filed: **Mar. 24, 2006**

(30) **Foreign Application Priority Data**

Nov. 18, 2005 (JP) 2005-034128

(51) **LOC (8) Cl.** **18-02**

(52) **U.S. Cl.** **D18/56; 347/86**

(58) **Field of Classification Search** D18/12,
D18/40, 43, 56; D14/481, 483; 347/29,
347/33, 49-50, 86-87, 178, 214; 399/25,
399/110

See application file for complete search history.

(56) **References Cited**

U.S. PATENT DOCUMENTS

D466,925 S *	12/2002	Ishizawa et al.	D18/56
6,926,396 B2 *	8/2005	Ota et al.	347/86
7,048,363 B2 *	5/2006	Kobayashi et al.	347/85
2003/0085967 A1 *	5/2003	Ota et al.	347/86
2005/0146575 A1 *	7/2005	Hill et al.	347/86
2006/0028517 A1 *	2/2006	Ishizawa et al.	347/86
2006/0098062 A1 *	5/2006	Miyazawa et al.	347/86
2006/0139424 A1 *	6/2006	Miyazawa et al.	347/86

* cited by examiner

Primary Examiner—Cathy Anne MacCormac
(74) *Attorney, Agent, or Firm*—Oliff & Berridge, PLC

(57) **CLAIM**

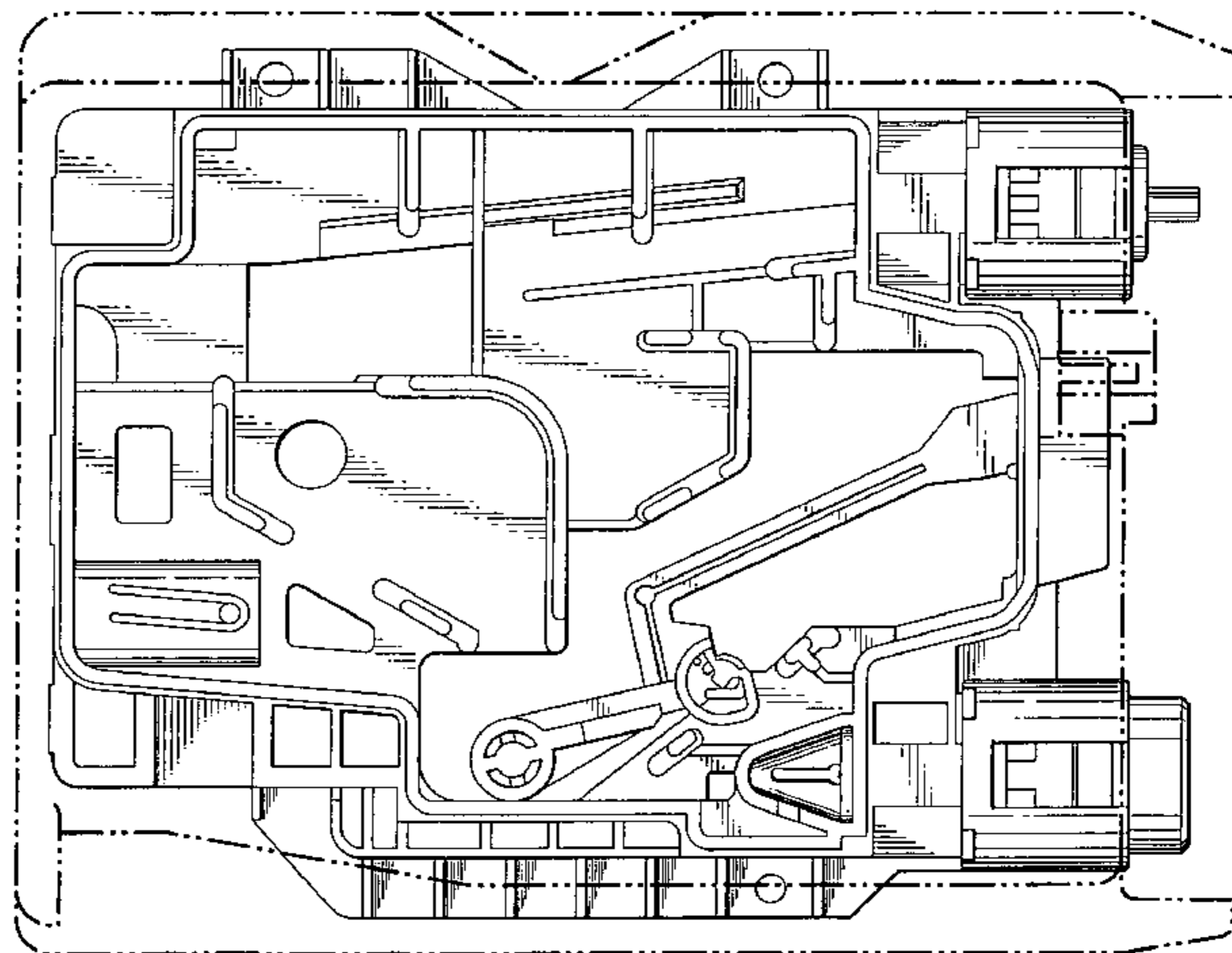
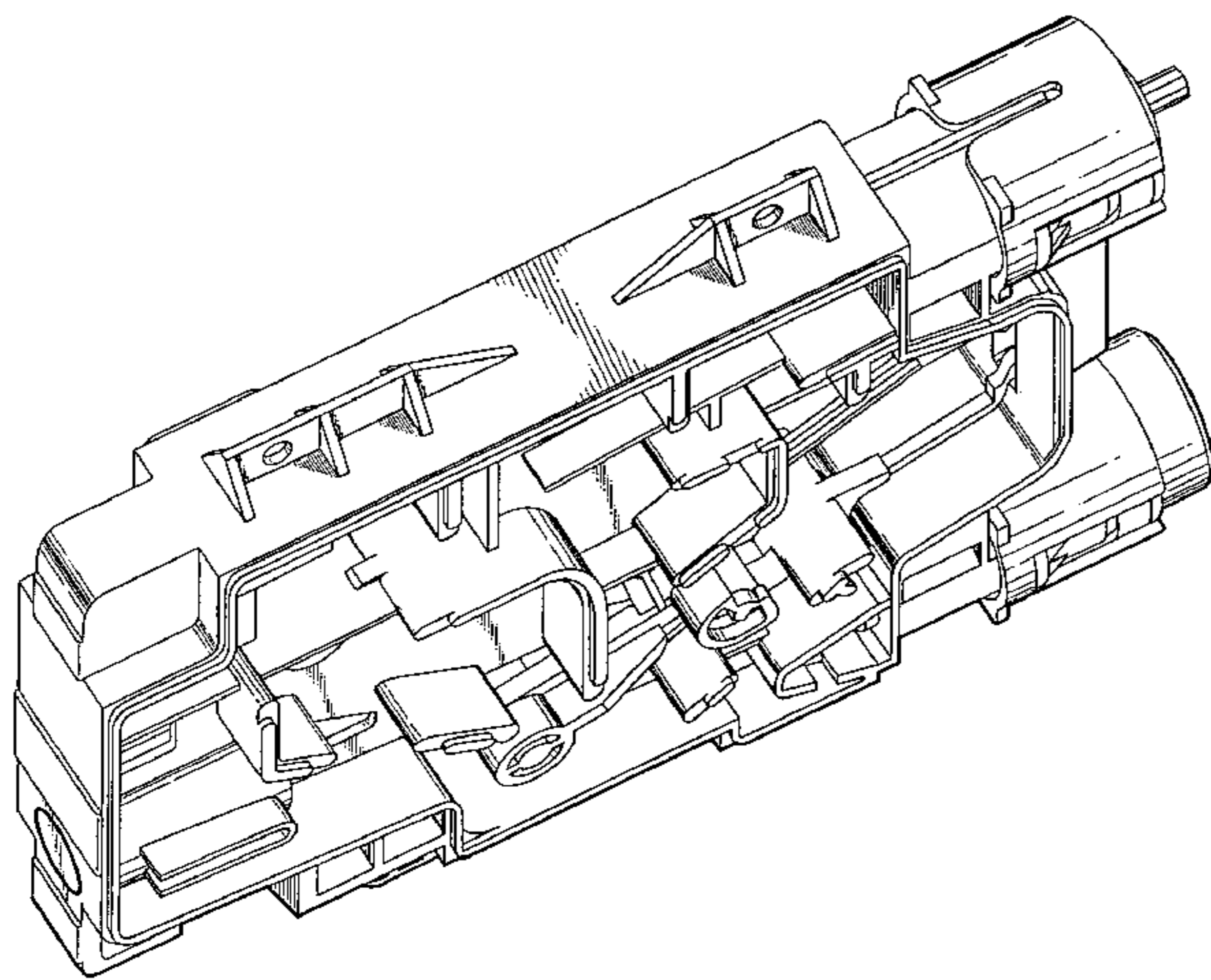
The ornamental design for a frame of ink cartridge, as shown and described.

DESCRIPTION

FIG. 1 is a perspective view of a frame of ink cartridge;
 FIG. 2 is a front view thereof;
 FIG. 3 is a top view thereof;
 FIG. 4 is a right side view thereof;
 FIG. 5 is a left side view thereof;
 FIG. 6 is a bottom view thereof;
 FIG. 7 is a rear view thereof;
 FIG. 8 is another perspective view thereof;
 FIG. 9 is an enlarged partial section view thereof taken along the line 9—9 of FIG. 2 and between the arrows 9'—9' of FIG. 2;
 FIG. 10 is an enlarged partial section view thereof taken along the line 10—10 of FIG. 2 and between the arrows 10'—10' of FIG. 2;
 FIG. 11 is an enlarged partial section view thereof taken along the line 11—11 of FIG. 2 and between the arrows 10'—10' of FIG. 2;
 FIG. 12 is an enlarged partial section view thereof taken along the line 12—12 of FIG. 7 and between the arrows 12'—12' of FIG. 7;
 FIG. 13 is an enlarged partial section view thereof taken along the line 13—13 of FIG. 7 and between the arrows 12'—12' of FIG. 7; and,
 FIG. 14 is a front view thereof within an ink cartridge.

The broken lines are for illustrative purposes only and form no part of the claimed design.

1 Claim, 10 Drawing Sheets



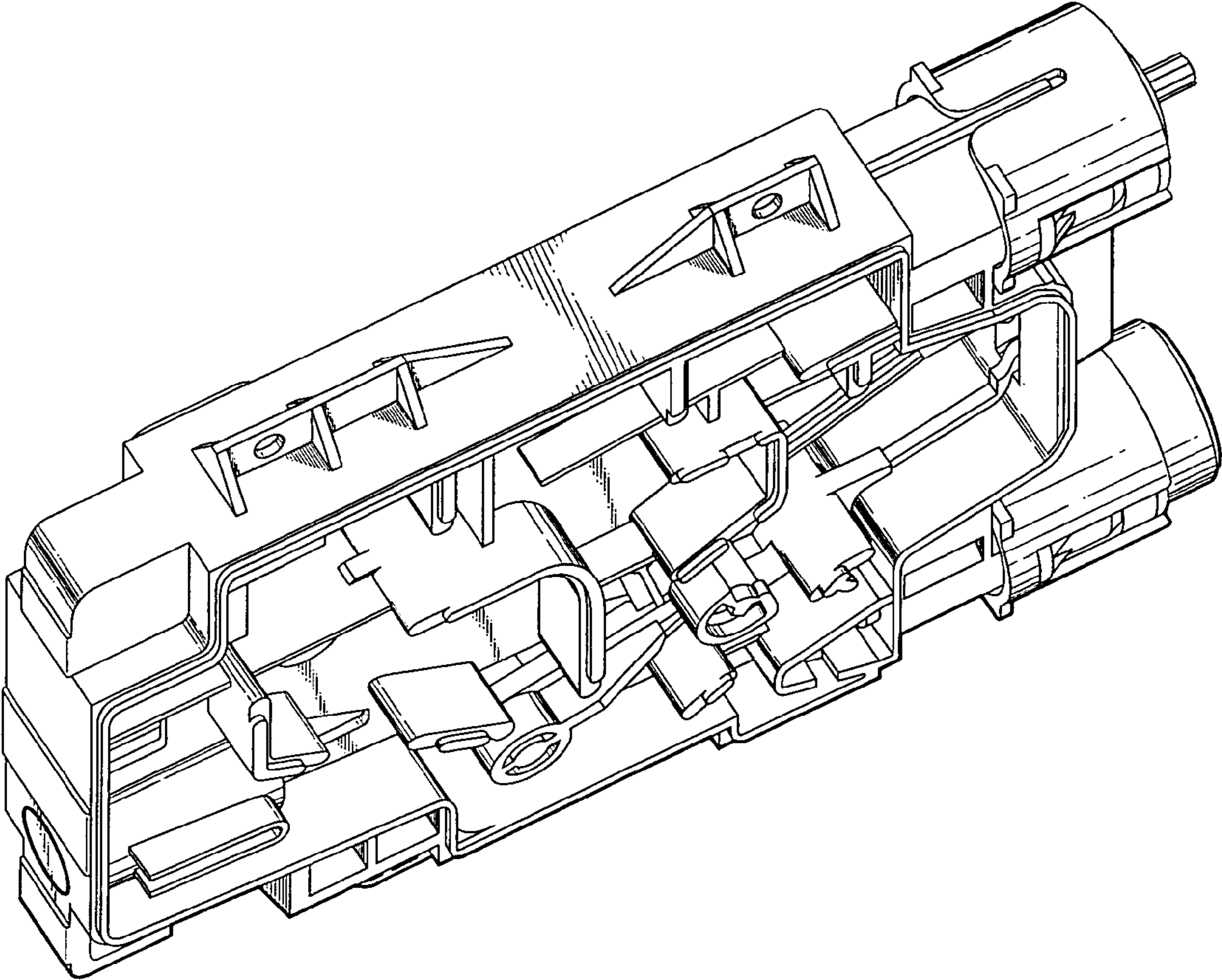


FIG. 1

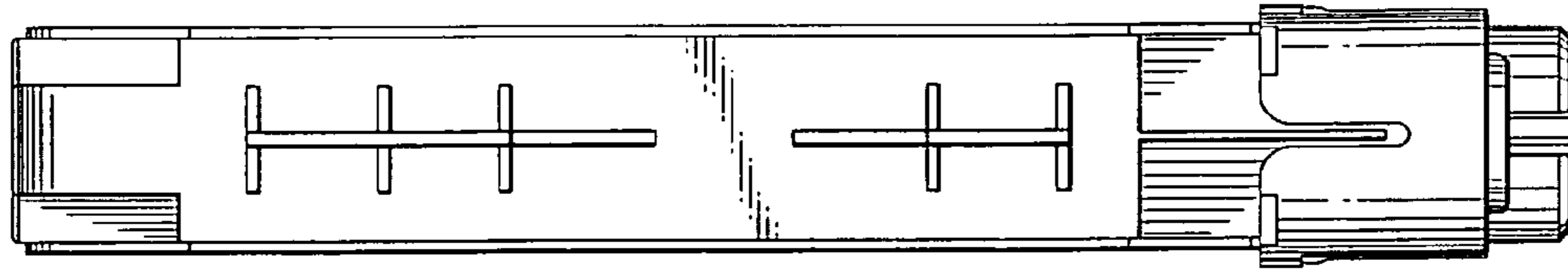


FIG. 3

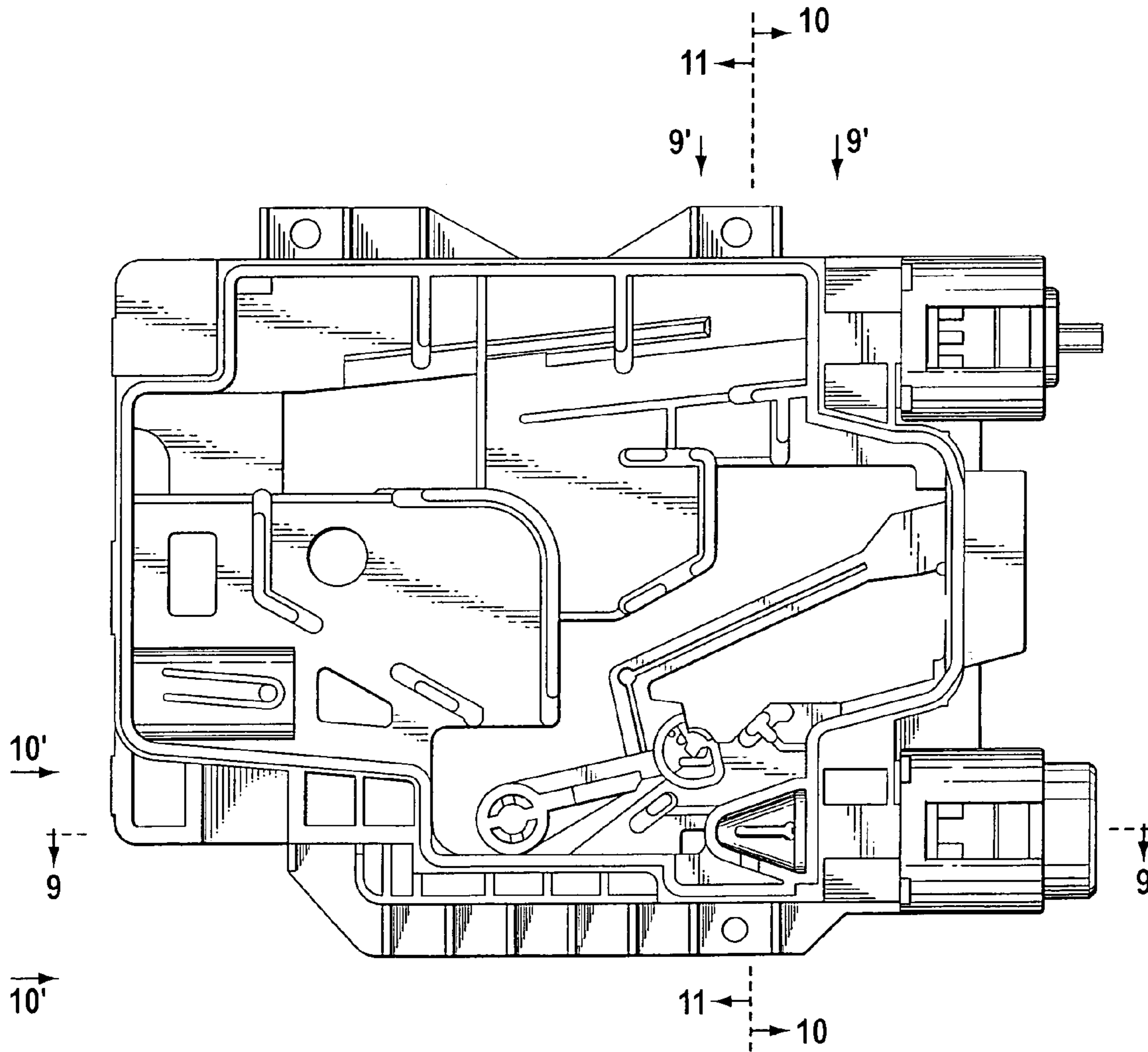


FIG. 2

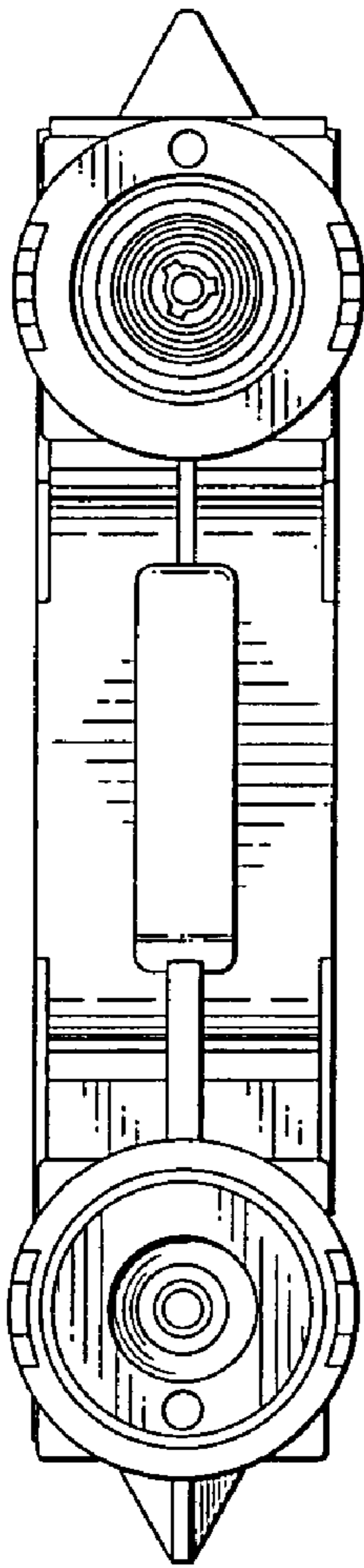


FIG. 4

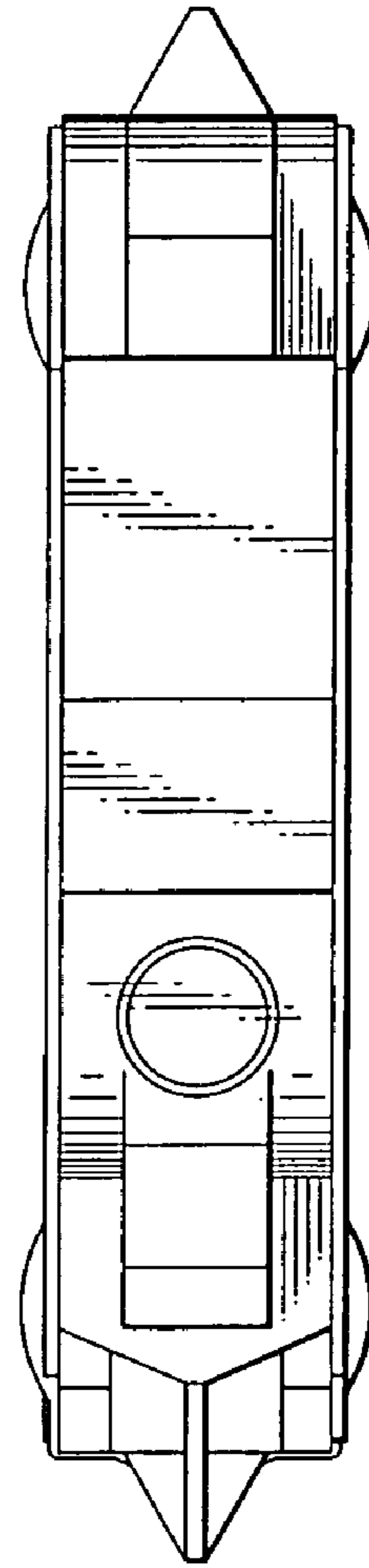


FIG. 5

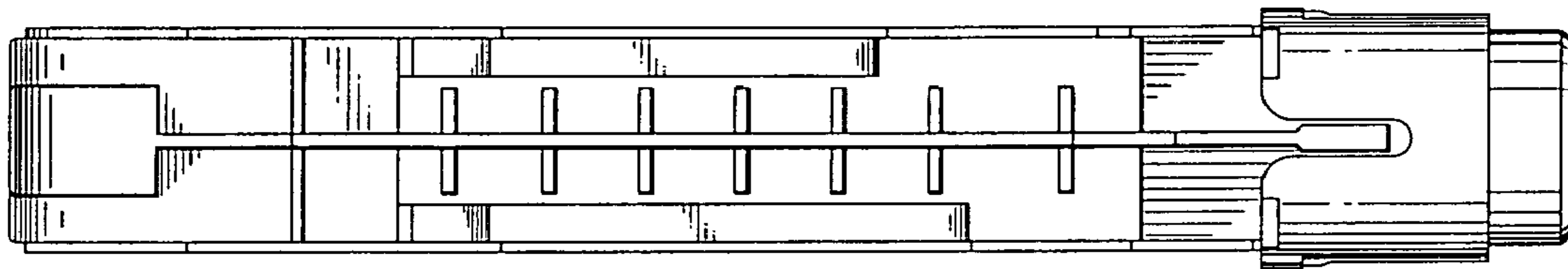


FIG. 6

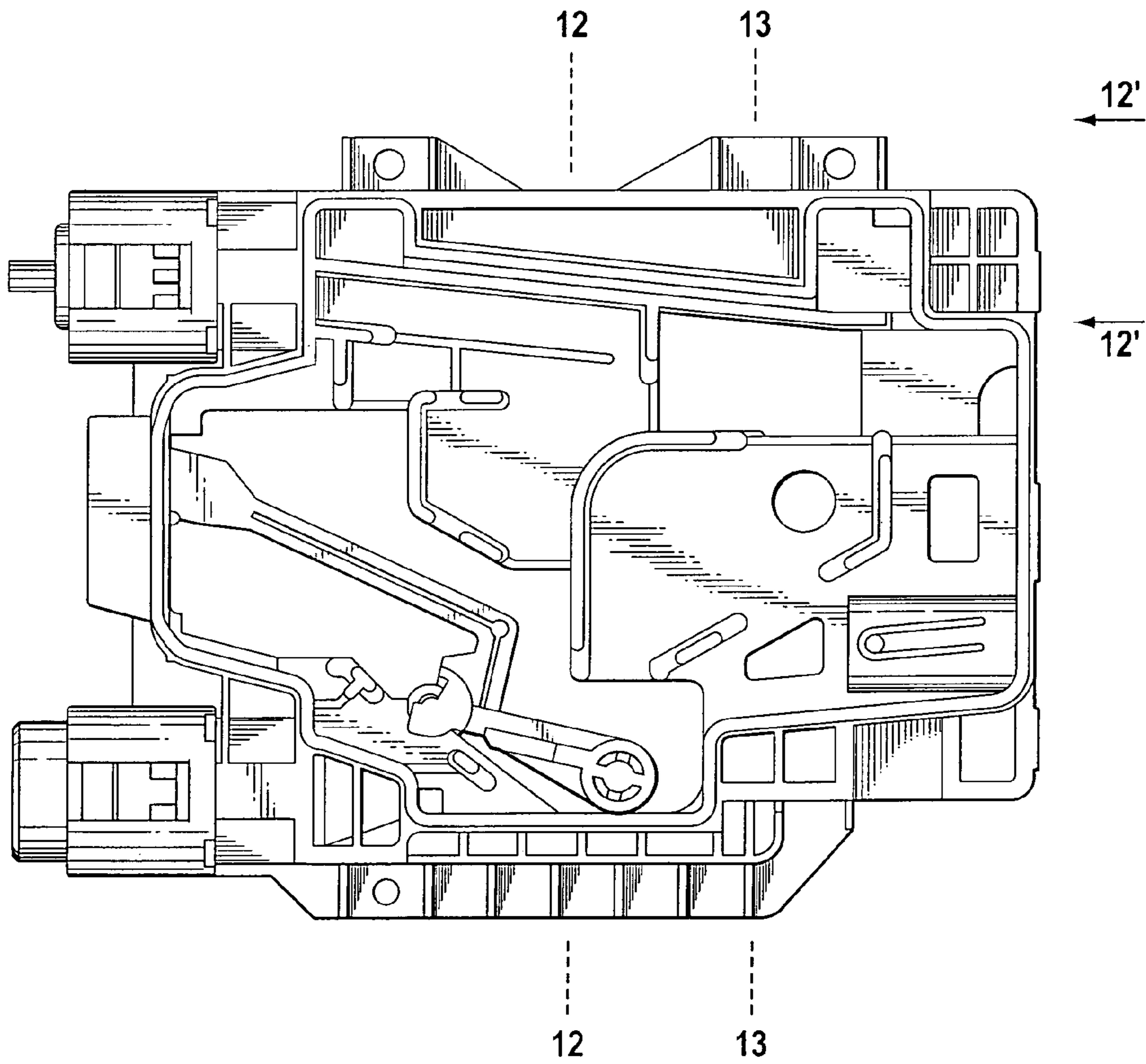


FIG. 7

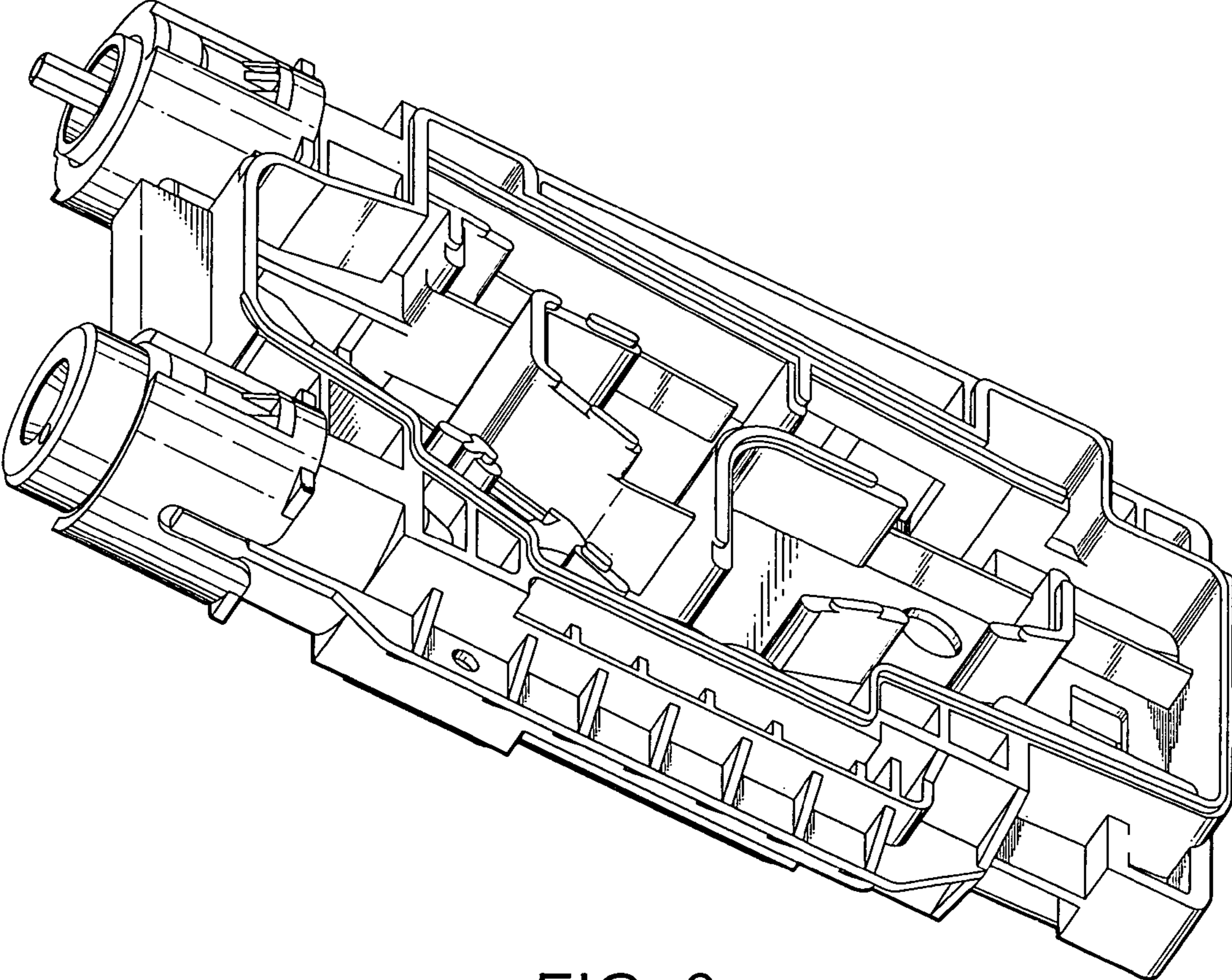


FIG. 8

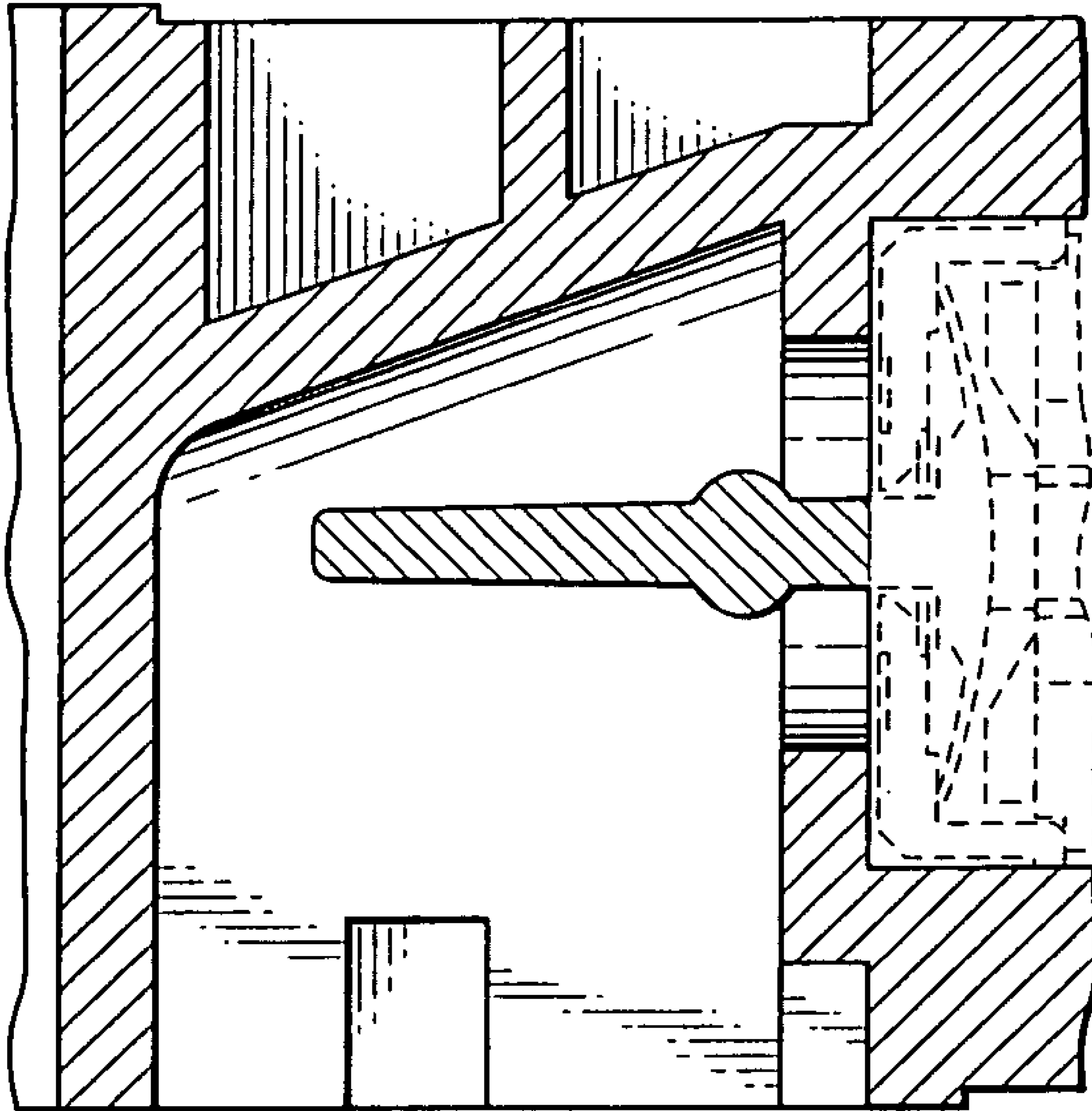


FIG. 9

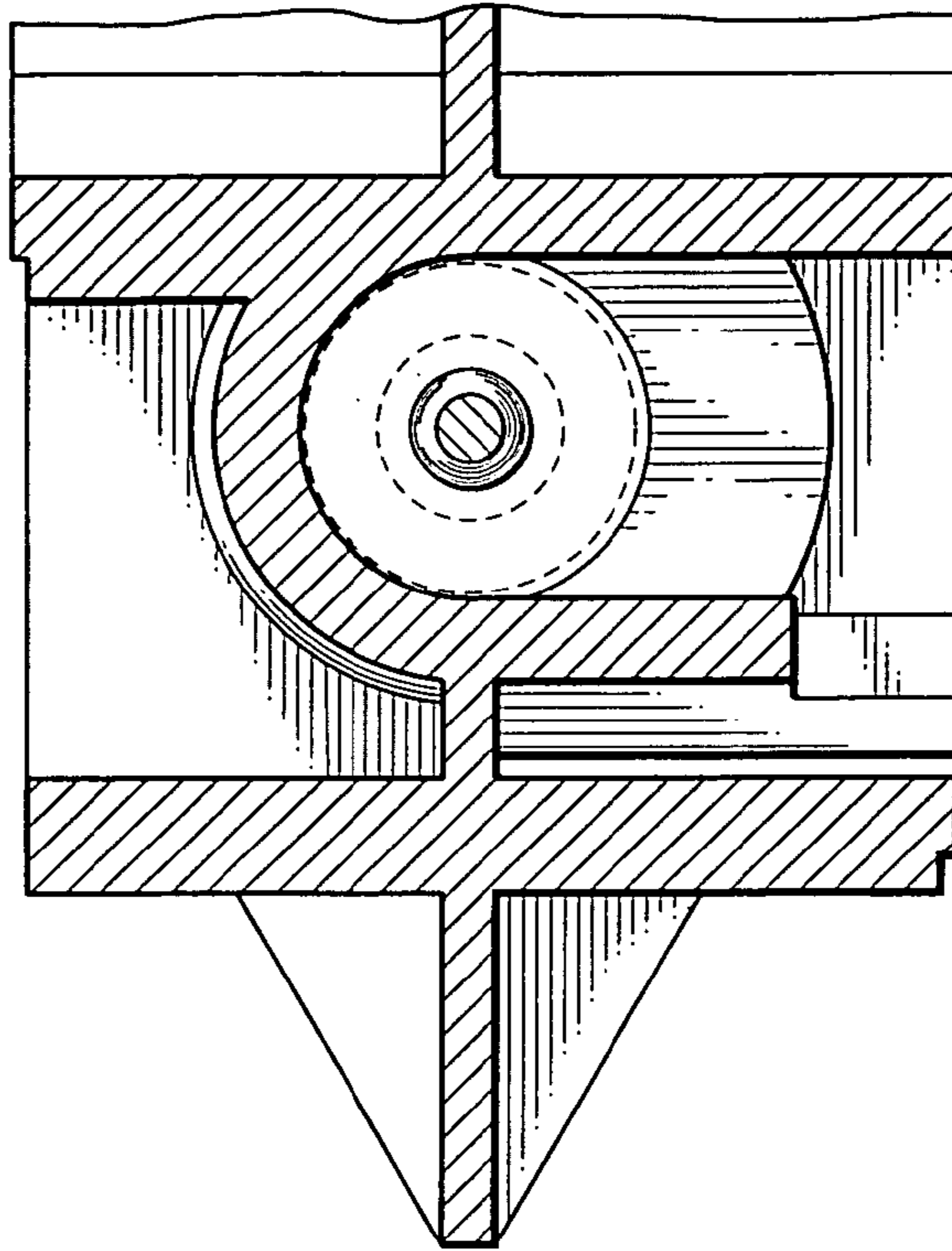


FIG. 10

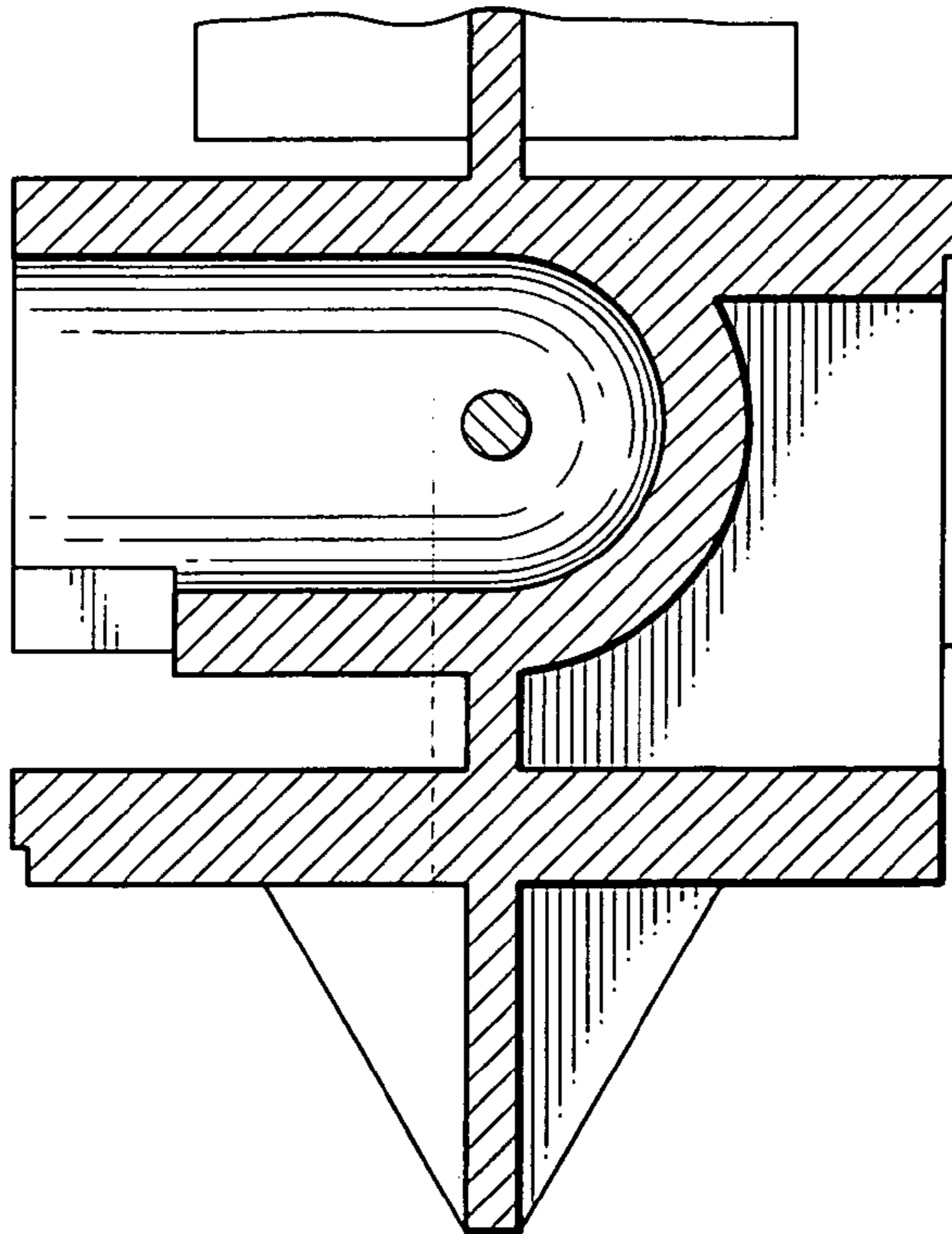


FIG. 11

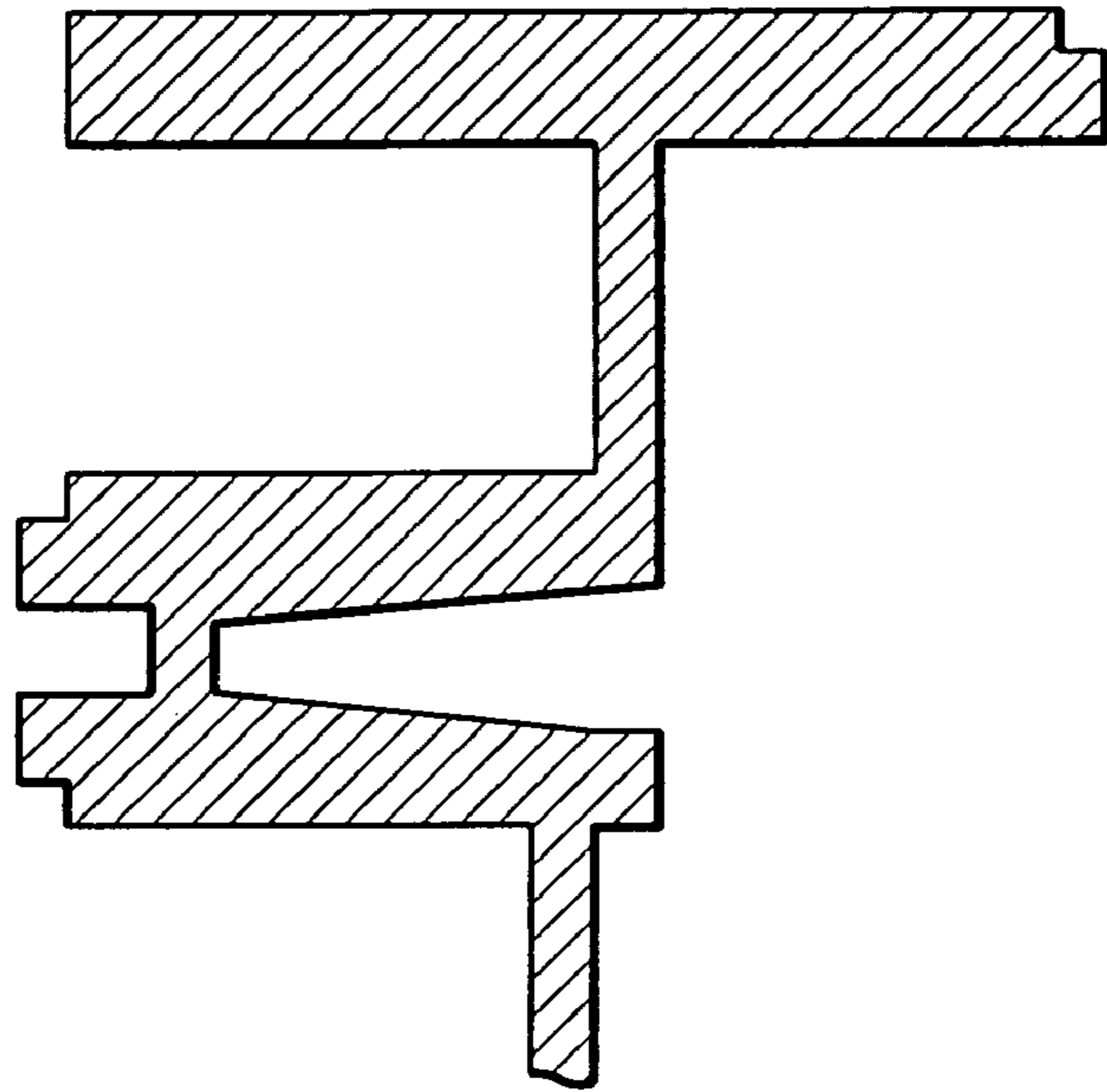


FIG. 12

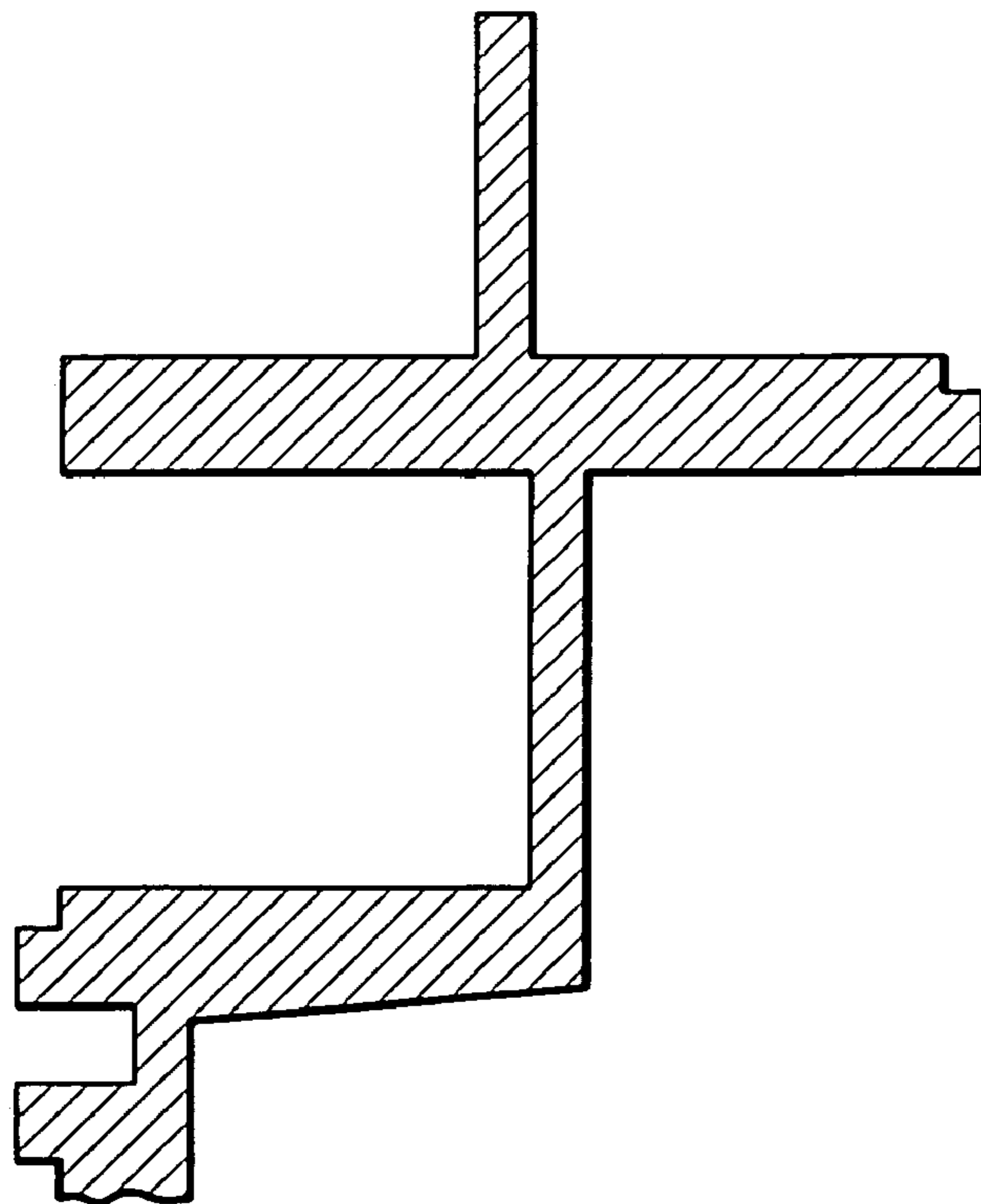


FIG. 13

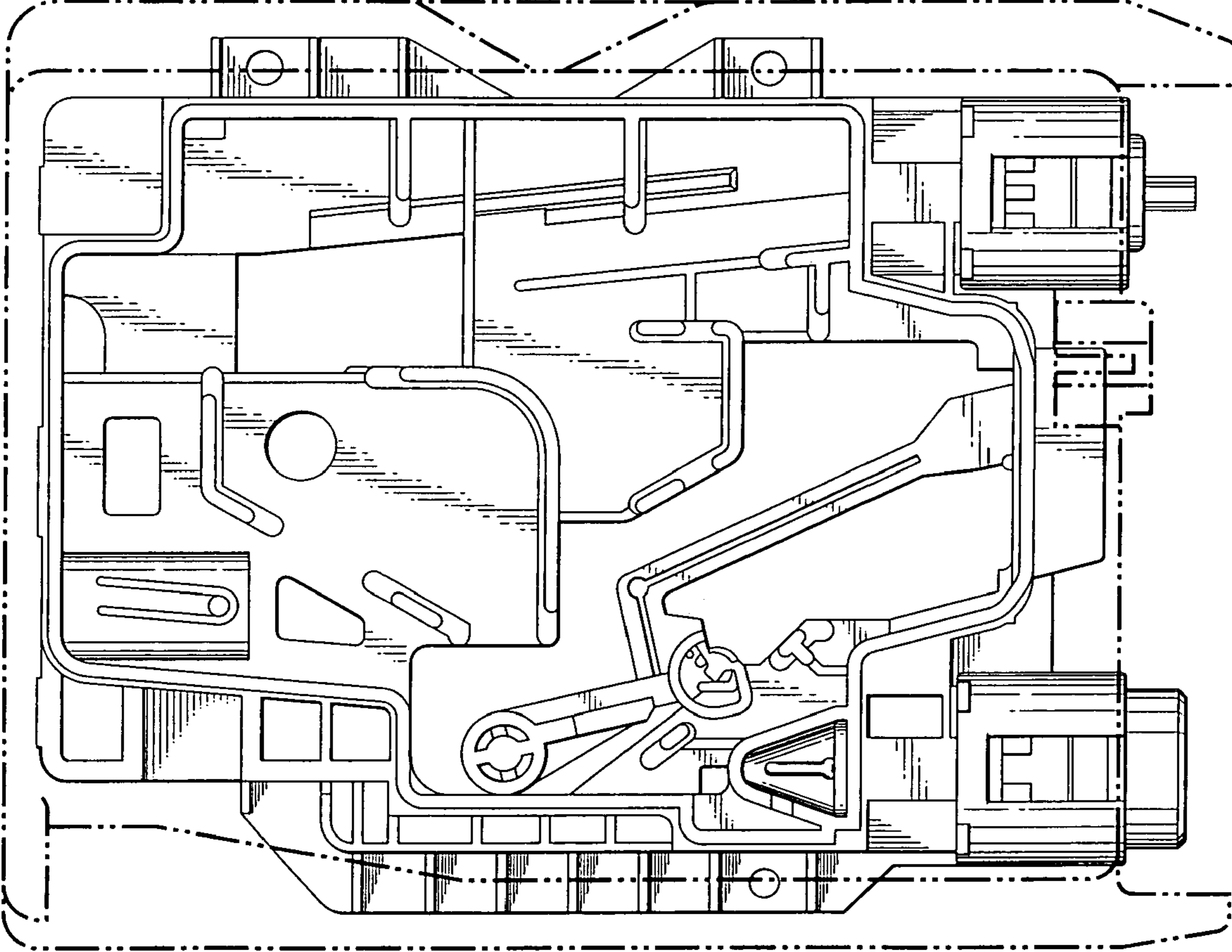


FIG. 14