



US00D547367S

(12) **United States Design Patent**
Clark, III et al.

(10) **Patent No.:** **US D547,367 S**
(45) **Date of Patent:** **** Jul. 24, 2007**

(54) **MULTI-FUNCTION OFFICE MACHINE**

(75) Inventors: **William T. Clark, III**, Pittsford, NY
(US); **Rie Takada**, West Henrietta, NY
(US)

(73) Assignee: **Xerox Corporation**, Stamford, CT
(US)

(**) Term: **14 Years**

(21) Appl. No.: **29/260,307**

(22) Filed: **May 23, 2006**

(51) **LOC (8) Cl.** **16-03**

(52) **U.S. Cl.** **D18/39**

(58) **Field of Classification Search** D18/36-41,
D18/44-55; 222/DIG. 1; 271/3.14, 8.1,
271/226, 278; 355/97, 99; 358/1.1; 399/1-7,
399/16, 75, 81, 107, 130, 151, 361, 365,
399/367, 381-383, 388

See application file for complete search history.

(56) **References Cited**

U.S. PATENT DOCUMENTS

D307,158 S *	4/1990	Perry	D18/38
D344,973 S *	3/1994	Penke et al.	D18/39
D439,271 S *	3/2001	Takimura	D18/39
D450,343 S *	11/2001	Matsuo et al.	D18/39

7,158,123 B2 *	1/2007	Myers et al.	399/81
2002/0110384 A1 *	8/2002	Kabumoto et al.	399/107
2005/0163528 A1 *	7/2005	Rieck et al.	399/107

* cited by examiner

Primary Examiner—Robert M. Spear
Assistant Examiner—Garth Rademaker
(74) *Attorney, Agent, or Firm*—Tallam I. Nguti

(57) **CLAIM**

The ornamental design for a multi-function office machine, as shown and described.

DESCRIPTION

FIG. 1 is a perspective view of a multi-function office machine showing the ornamental design in accordance with the present invention;

FIG. 2 is a front view thereof;

FIG. 3 is a right side view thereof;

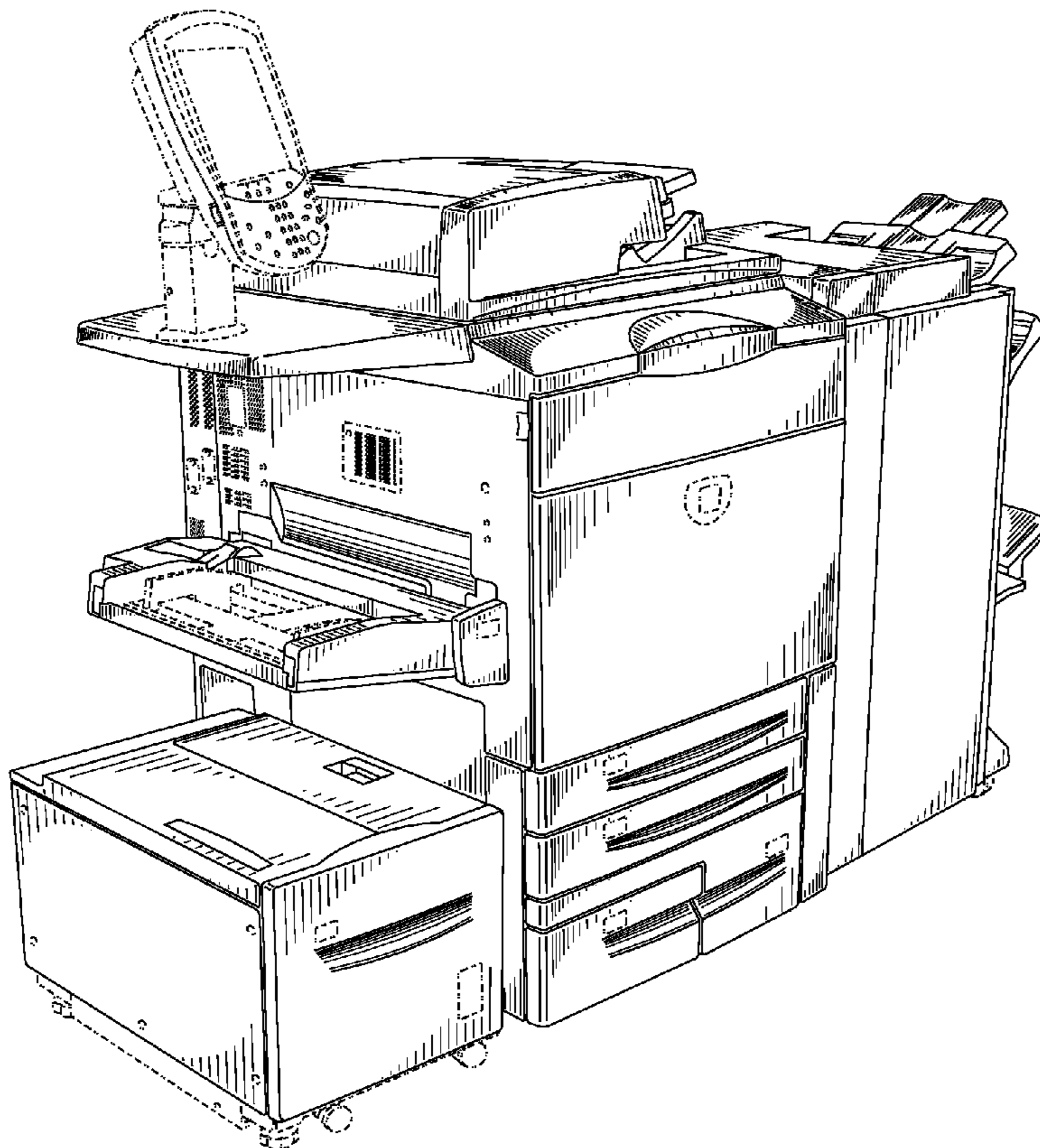
FIG. 4 is a rear view thereof;

FIG. 5 is a left side view thereof; and,

FIG. 6 is a top plan view thereof.

The broken lines shown are for illustrative purposes only and form no part of the claimed design.

1 Claim, 6 Drawing Sheets



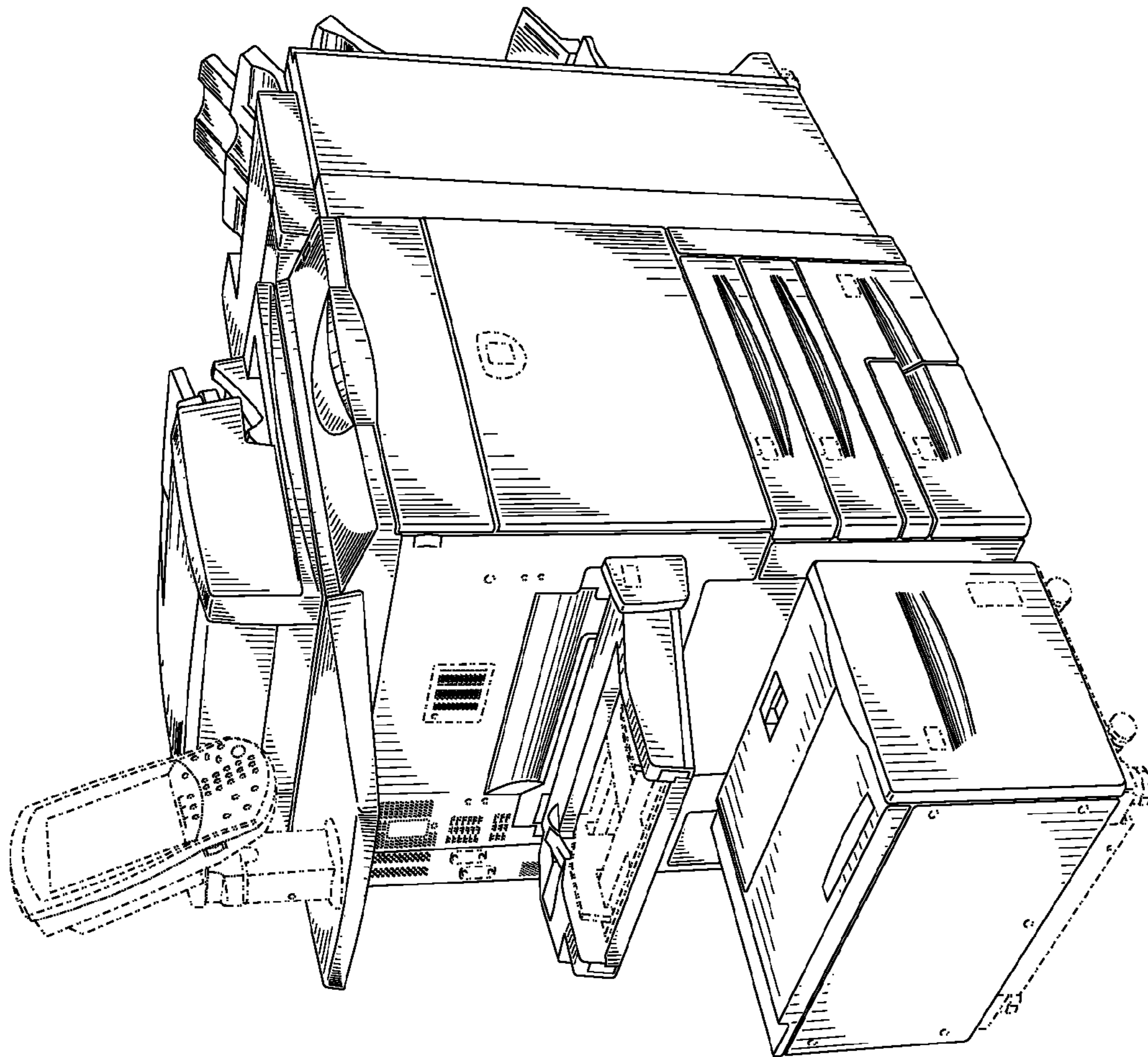


FIG. 1

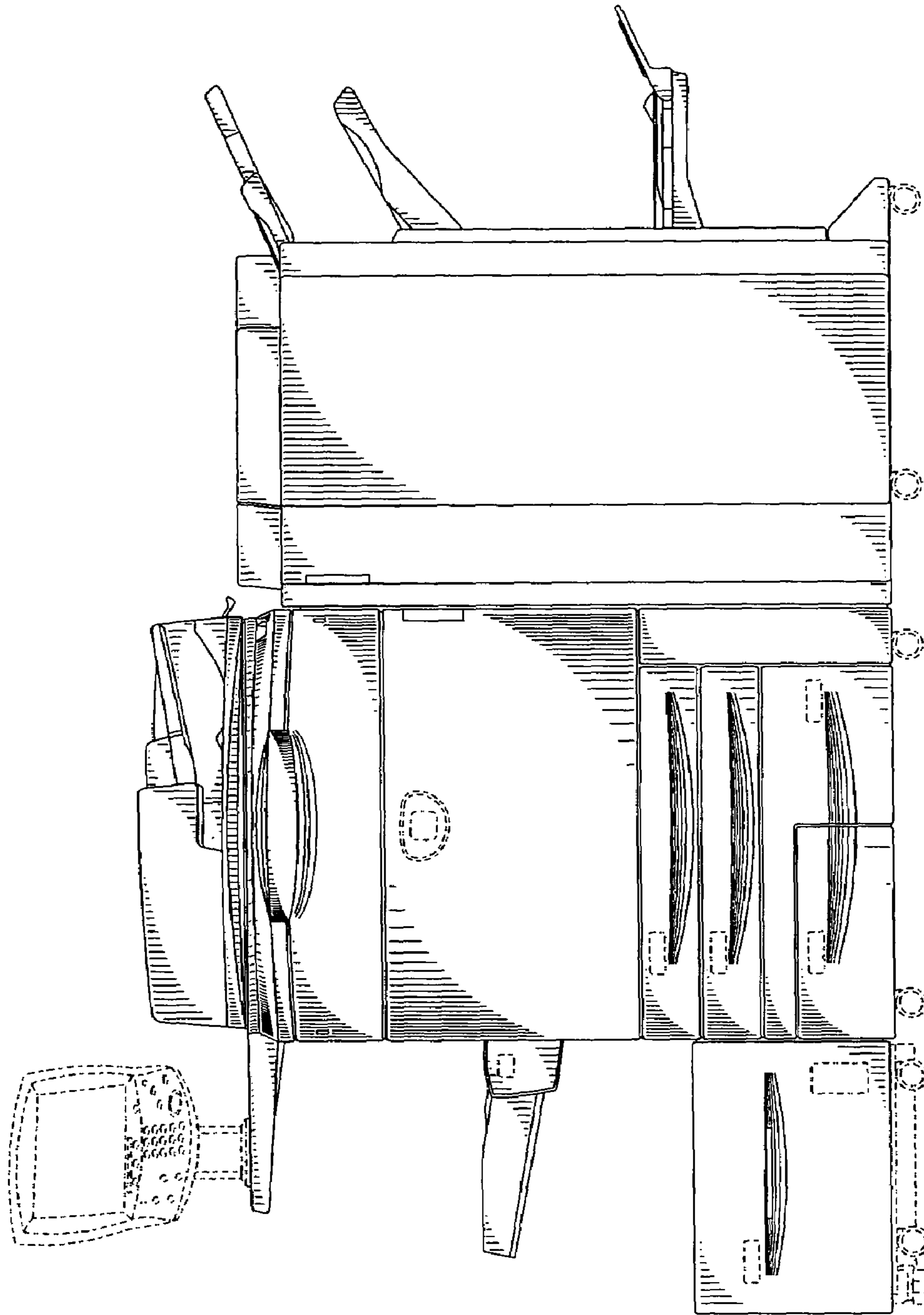


FIG. 2

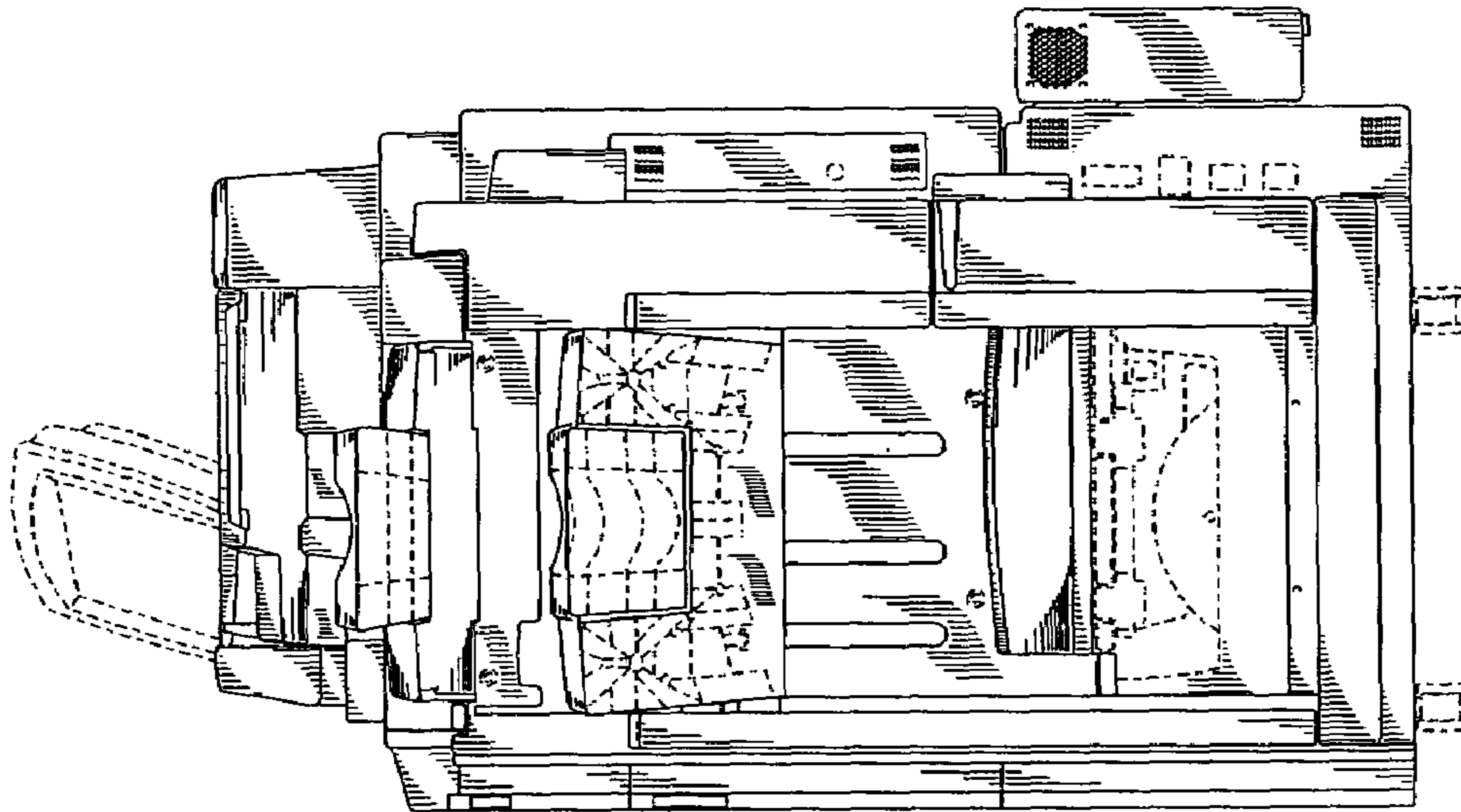


FIG. 3

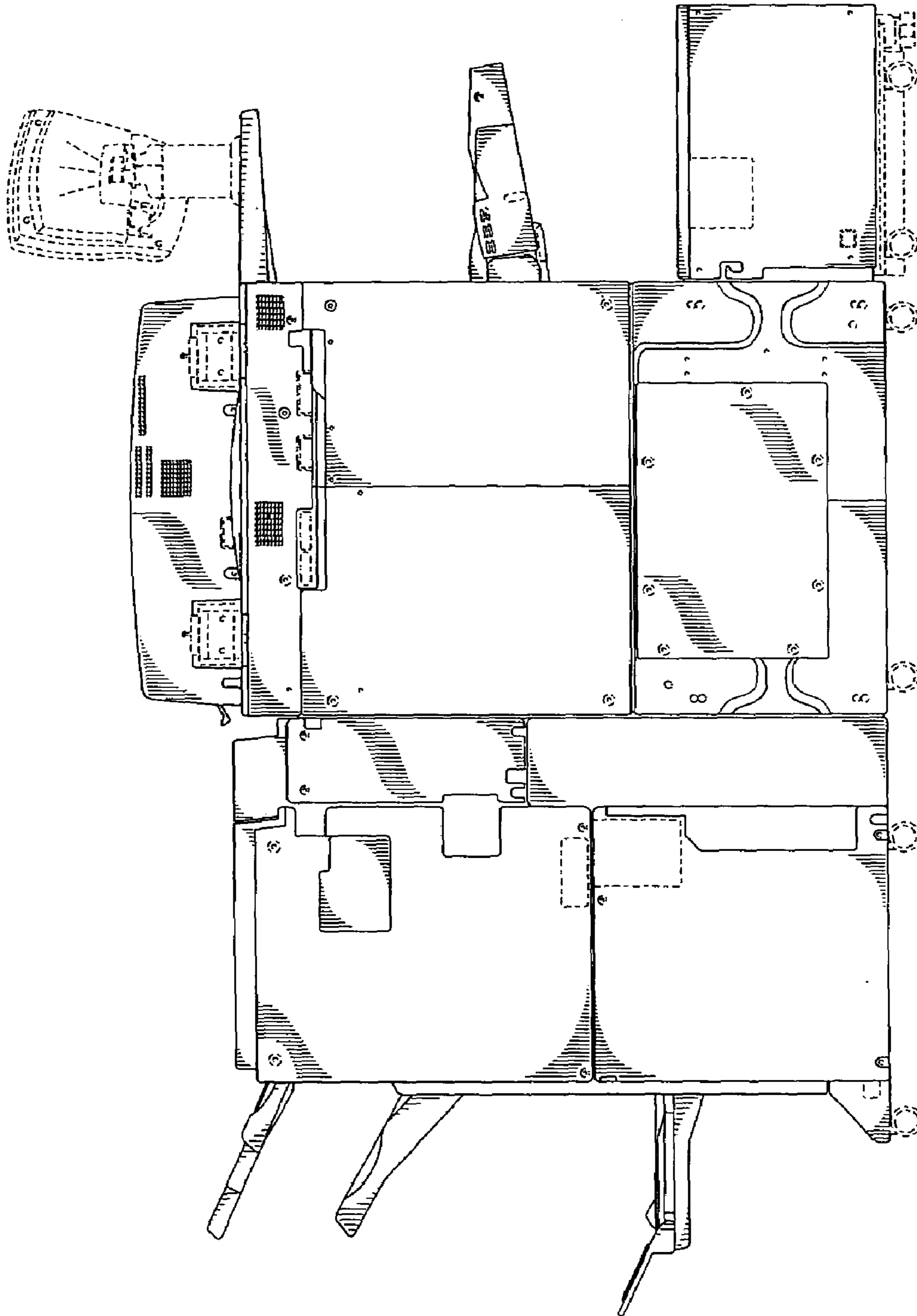


FIG. 4

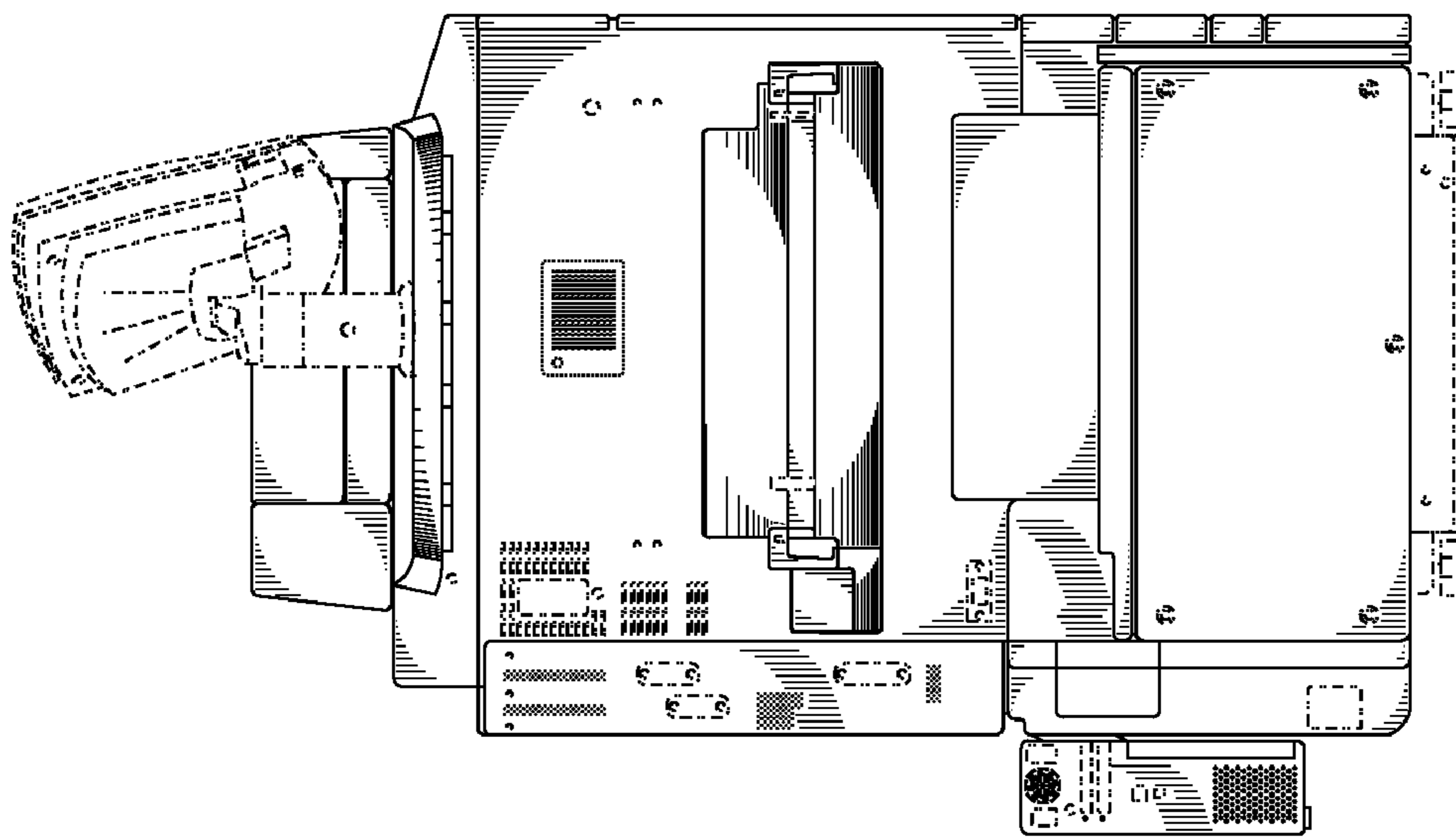


FIG. 5

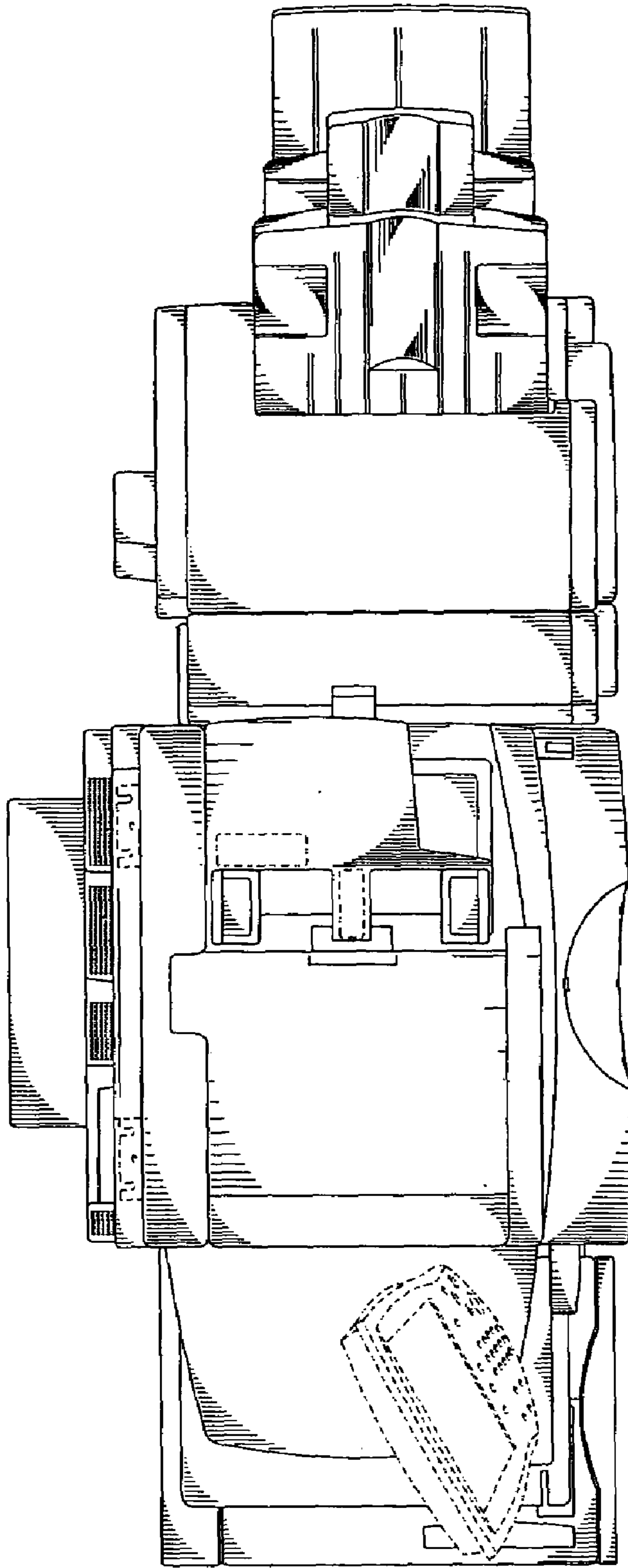


FIG. 6