



US00D547363S

(12) **United States Design Patent**  
**Kumazaki et al.**

(10) **Patent No.:** **US D547,363 S**

(45) **Date of Patent:** **\*\* Jul. 24, 2007**

(54) **INK RIBBON CARTRIDGE**

(75) Inventors: **Masayuki Kumazaki**, Matsumoto (JP);  
**Shinji Sato**, Hobara (JP)

(73) Assignee: **Seiko Epson Corporation** (JP)

(\*\*) Term: **14 Years**

(21) Appl. No.: **29/239,127**

(22) Filed: **Sep. 26, 2005**

(30) **Foreign Application Priority Data**

Apr. 1, 2005 (JP) ..... 2005-009871  
Apr. 1, 2005 (JP) ..... 2005-009872

(51) **LOC (8) Cl.** ..... **18-01**

(52) **U.S. Cl.** ..... **D18/12**

(58) **Field of Classification Search** ..... D18/12,  
D18/36, 40, 43, 56, 58; D14/462, 471; 222/DIG. 1;  
347/214, 222; 399/120, 121, 168, 239, 279,  
399/313, 357; 400/207, 208, 208.1  
See application file for complete search history.

(56) **References Cited**

**U.S. PATENT DOCUMENTS**

D258,291 S 2/1981 Nakamura et al.  
D275,499 S \* 9/1984 Akazawa ..... D18/12  
D280,210 S \* 8/1985 Ledoux ..... D18/12  
D280,912 S \* 10/1985 Kosaka ..... D18/12  
D307,294 S \* 4/1990 Kodama ..... D18/12  
D307,438 S \* 4/1990 Kodama ..... D18/12  
4,913,571 A \* 4/1990 Bulson et al. .... 400/208  
D313,425 S \* 1/1991 Endo ..... D18/12  
D314,971 S 2/1991 Nakamura et al.  
D317,936 S 7/1991 Quick  
D319,837 S 9/1991 Urawa  
D331,938 S \* 12/1992 Morozumi ..... D18/12  
D346,818 S 5/1994 Nakayama

5,366,304 A \* 11/1994 Sheehan et al. .... 400/208  
D368,734 S \* 4/1996 Curley ..... D18/12  
D370,934 S 6/1996 Nomura  
D391,287 S 2/1998 Katayama et al.  
D410,488 S \* 6/1999 Uggetti ..... D18/12

\* cited by examiner

*Primary Examiner*—Robert M. Spear  
*Assistant Examiner*—Garth Rademaker

(74) *Attorney, Agent, or Firm*—Harness, Dickey & Pierce,  
P.L.C.

(57) **CLAIM**

The ornamental design for an ink ribbon cartridge, as shown  
and described.

**DESCRIPTION**

FIG. 1 is a top, rear perspective view of one embodiment of  
an ink ribbon cartridge showing our new design.

FIG. 2 is a top view thereof;

FIG. 3 is a bottom view thereof;

FIG. 4 is a front view thereof;

FIG. 5 is a rear view thereof;

FIG. 6 is a left side view thereof;

FIG. 7 is a right side view thereof;

FIG. 8 is a top, rear perspective view of a second embodi-  
ment of an ink ribbon cartridge showing our new design.

FIG. 9 is a top view thereof;

FIG. 10 is a bottom view thereof;

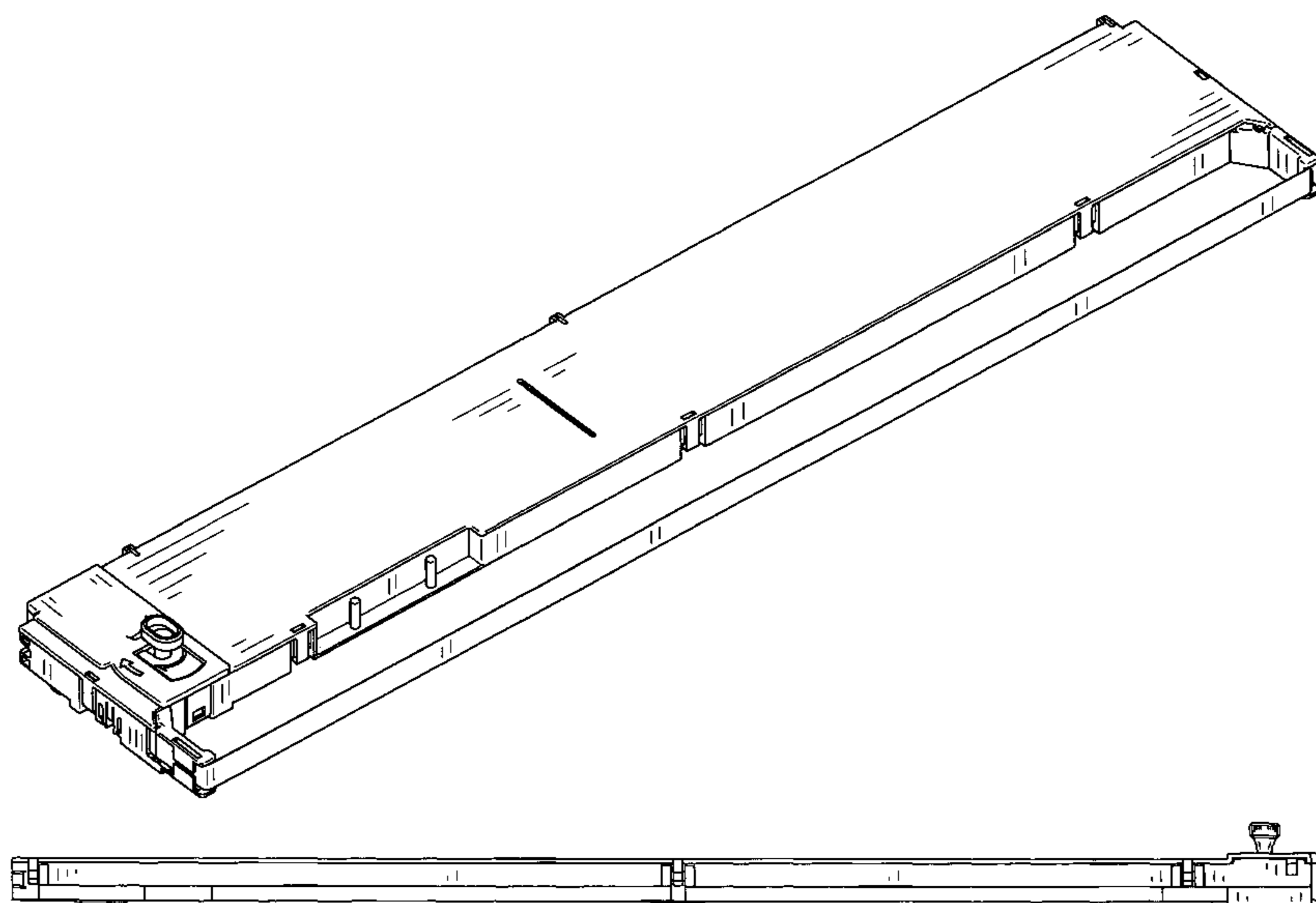
FIG. 11 is a front view thereof;

FIG. 12 is a rear view thereof;

FIG. 13 is a left side view thereof; and,

FIG. 14 is a right side view thereof.

**1 Claim, 10 Drawing Sheets**



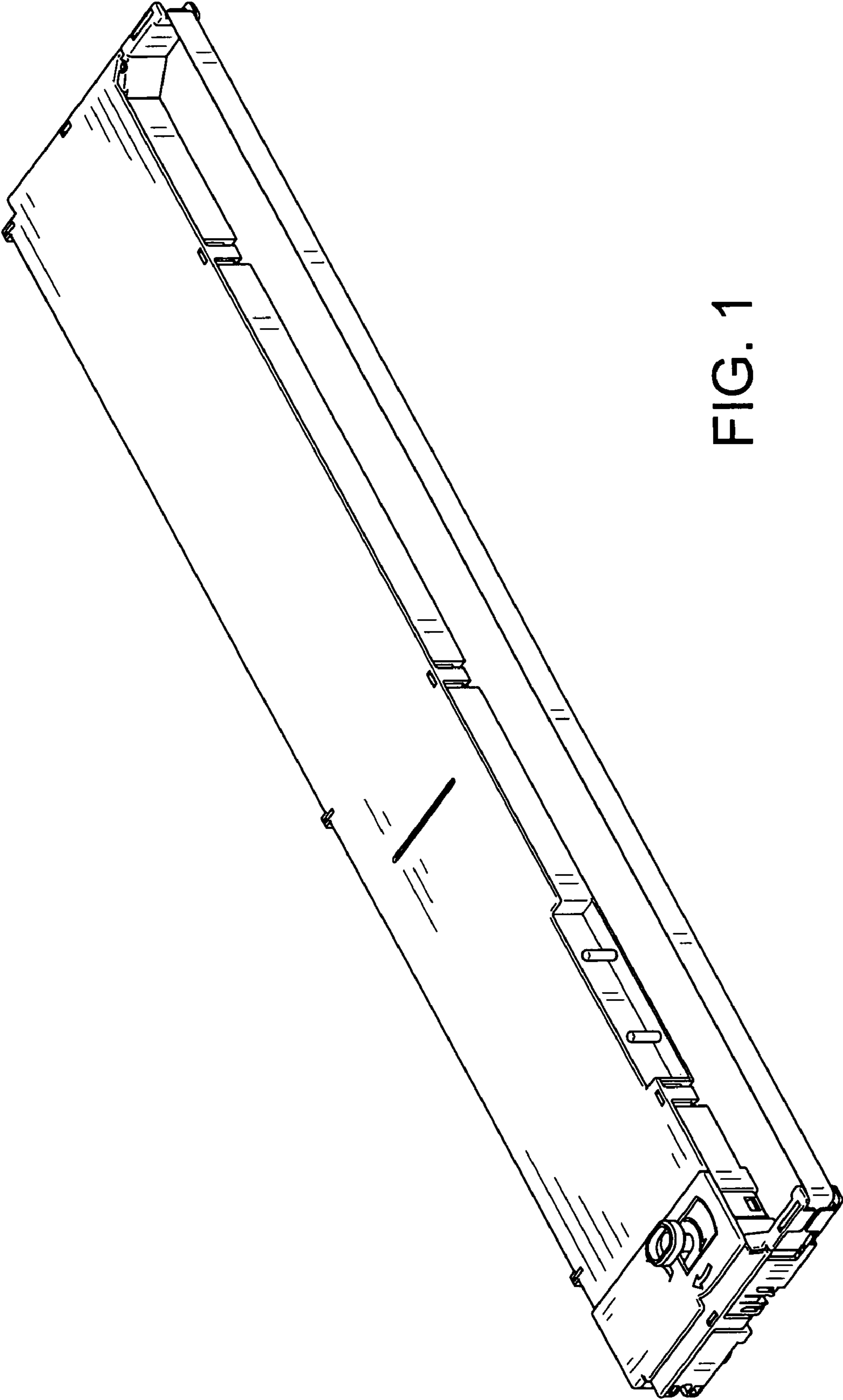


FIG. 1

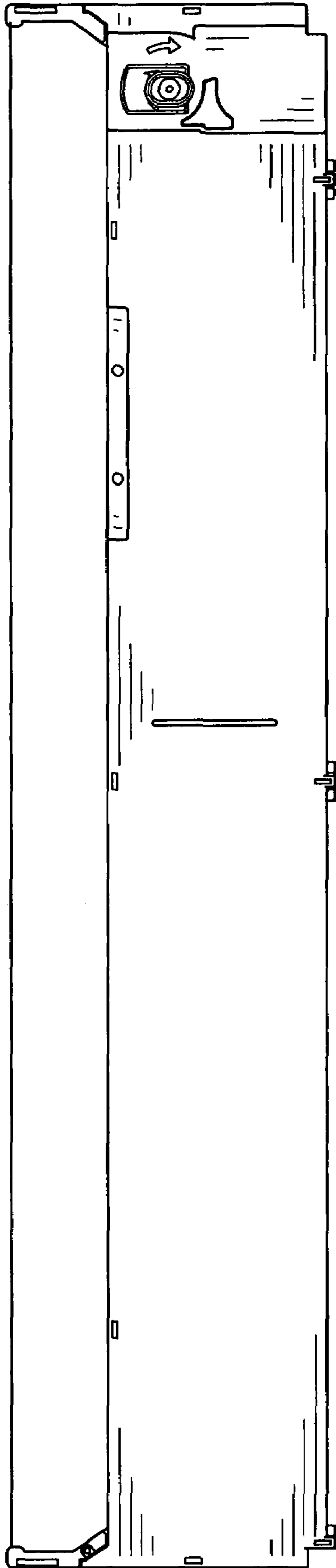


FIG. 2

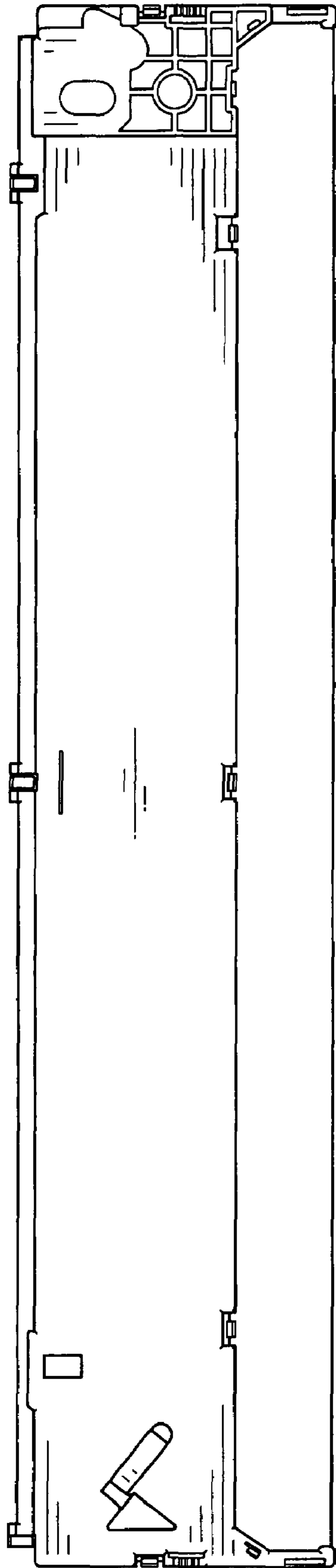


FIG. 3

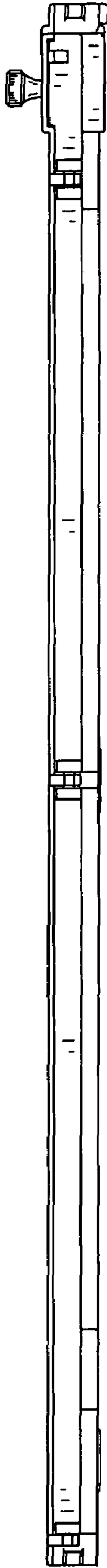


FIG. 4



FIG. 5

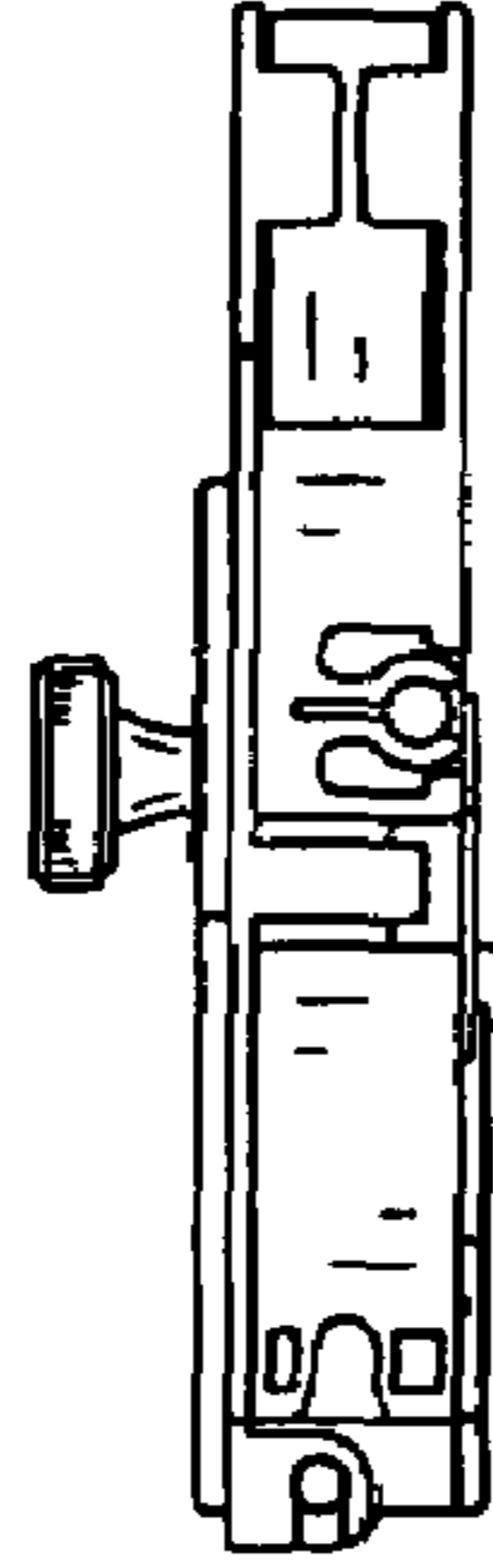


FIG. 6

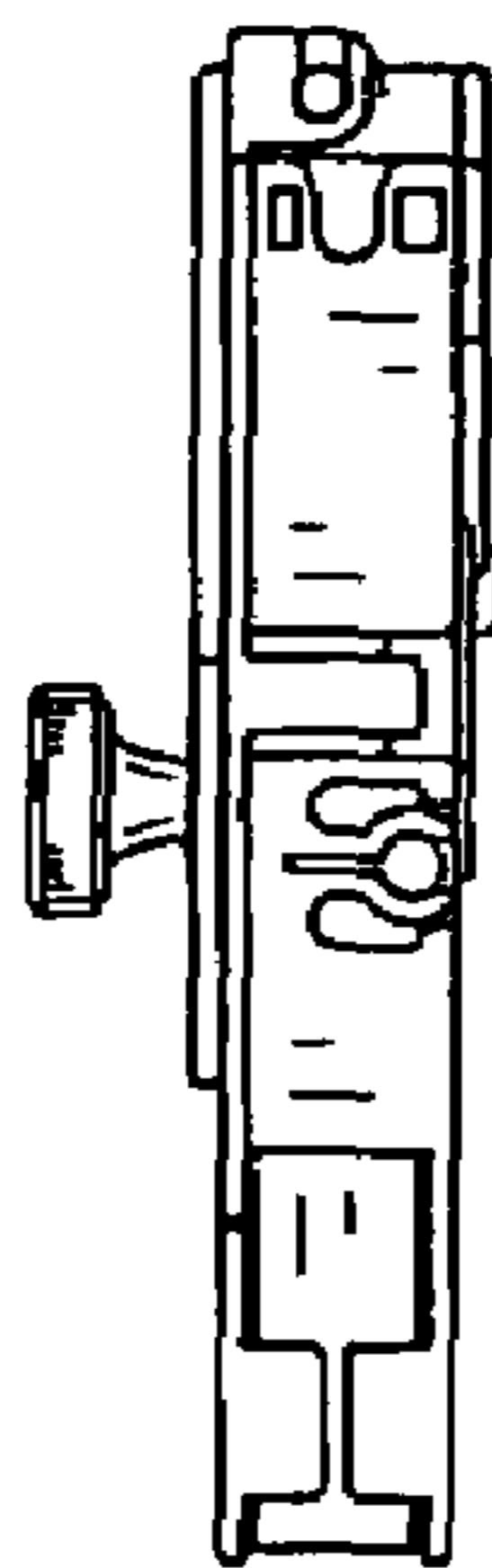


FIG. 7

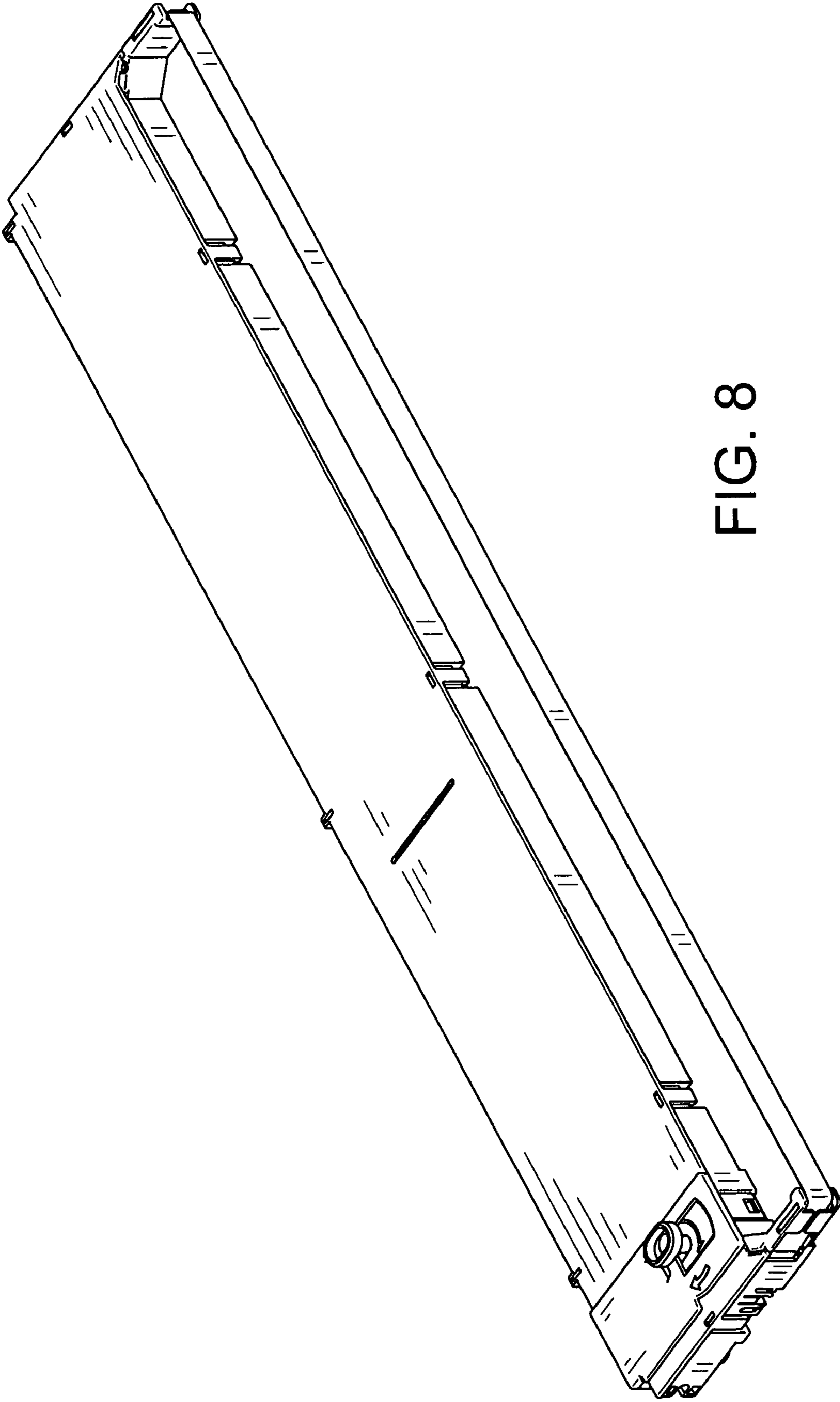


FIG. 8

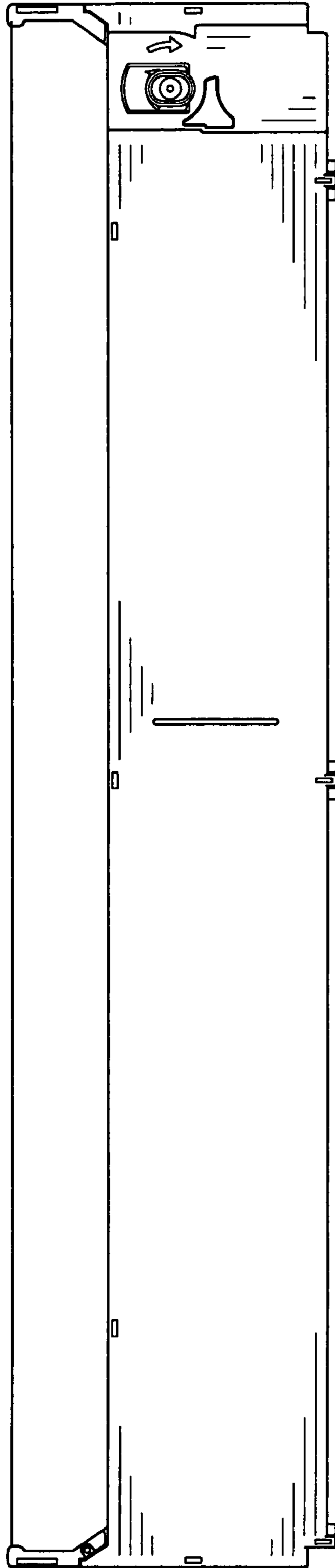


FIG. 9



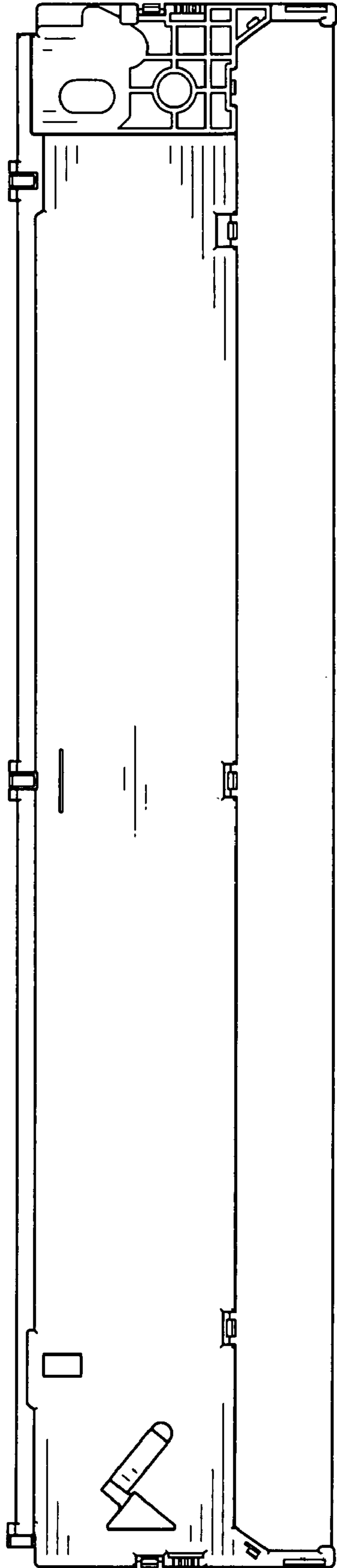


FIG. 10

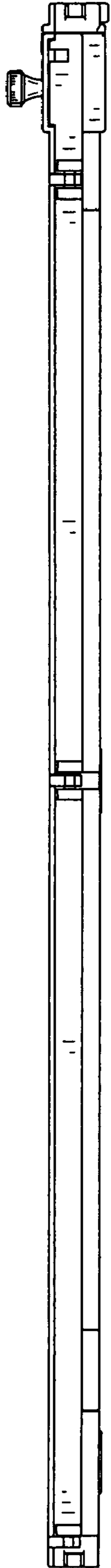


FIG. 11



FIG. 12

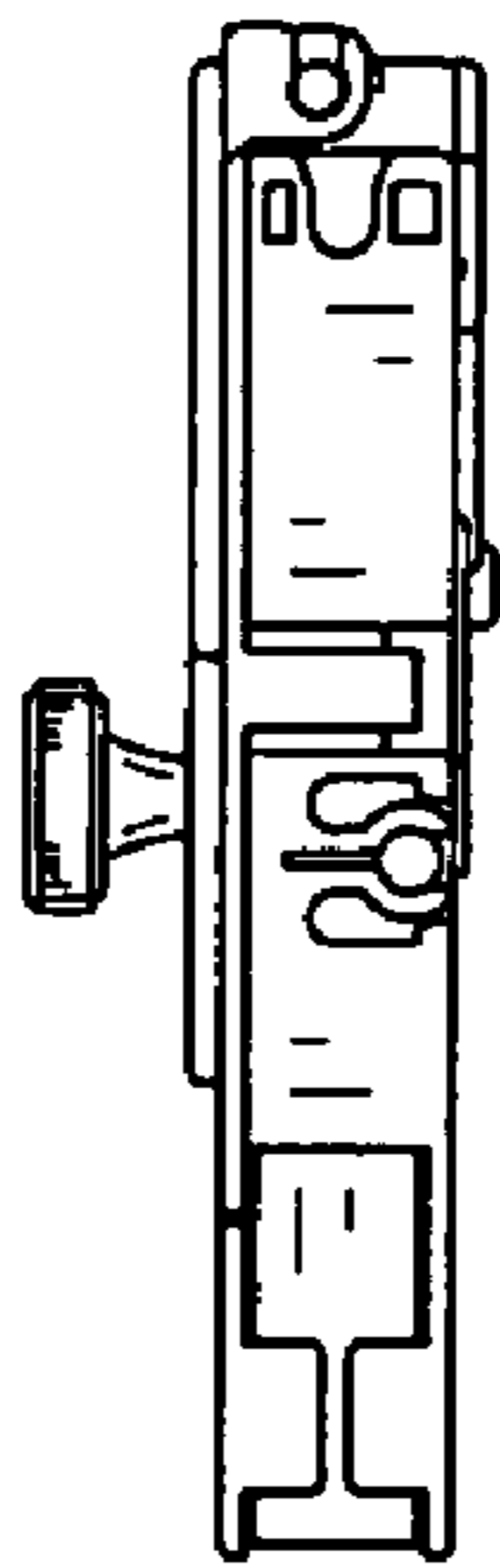
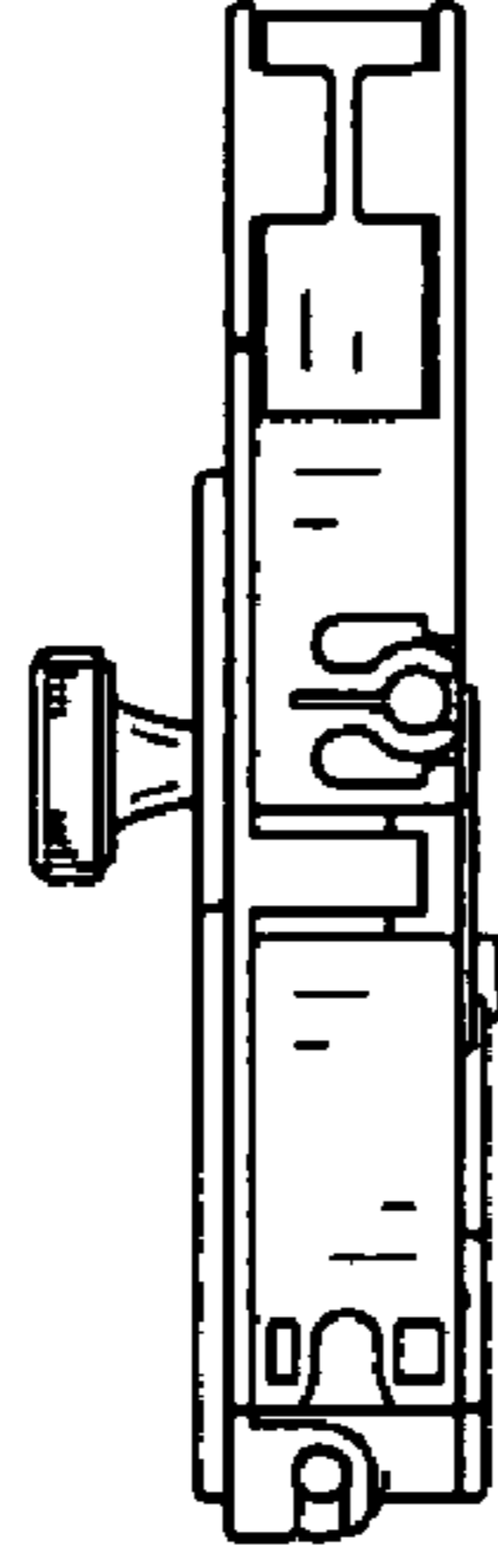


FIG. 14

FIG. 13