

US00D547352S

(12) **United States Design Patent**  
**Tako**

(10) **Patent No.:** **US D547,352 S**

(45) **Date of Patent:** **\*\* Jul. 24, 2007**

(54) **PROJECTOR**

D502,486 S \* 3/2005 Kawasaki et al. .... D16/230  
D505,440 S \* 5/2005 Kawasaki et al. .... D16/231

(75) Inventor: **Hiroataka Tako**, Tokyo (JP)

(73) Assignee: **Sony Corporation**, Tokyo (JP)

(\*\*) Term: **14 Years**

(21) Appl. No.: **29/241,635**

(22) Filed: **Oct. 31, 2005**

(30) **Foreign Application Priority Data**

Aug. 8, 2005 (JP) ..... D2005-022957

(51) **LOC (8) Cl.** ..... **16-02**

(52) **U.S. Cl.** ..... **D16/230; D16/221; D16/225**

(58) **Field of Classification Search** ..... D16/205,  
D16/208, 213, 221, 225, 229, 230, 231, 234;  
D21/514; 353/70, 100, 101, 115, 119, 122  
See application file for complete search history.

(56) **References Cited**

**U.S. PATENT DOCUMENTS**

D391,940 S \* 3/1998 Sakata ..... D16/213  
D414,794 S \* 10/1999 Isono ..... D16/230  
D439,923 S \* 4/2001 Kawamoto ..... D16/231  
D450,077 S \* 11/2001 Isono ..... D16/230  
D476,353 S \* 6/2003 Morishita et al. .... D16/231  
D479,551 S \* 9/2003 Min et al. .... D16/230  
D492,339 S \* 6/2004 Niitsu ..... D16/230  
D498,490 S \* 11/2004 Kawasaki et al. .... D16/231

**OTHER PUBLICATIONS**

Web page "QUALIA 004" <http://www.sony.jp/products/Consumer/QUALIA/jp/products/004/index.html>, 1 sheet, Sony (Aug. 2005).  
Web page "RL-JA20" <http://www.leg.com/catalog/prodmodeldetail?modelCategoryId=CTG1000450&categoryid=C...>, 2 sheets, LG (Aug. 2005).

\* cited by examiner

*Primary Examiner*—Ian Simmons

*Assistant Examiner*—W. Laymon

(74) *Attorney, Agent, or Firm*—Rader, Fishman & Grauer PLLC

(57) **CLAIM**

The ornamental design for a projector, as shown.

**DESCRIPTION**

FIG. 1 is a perspective view of a projector showing my new design;

FIG. 2 is a front elevational view thereof;

FIG. 3 is a rear elevational view thereof;

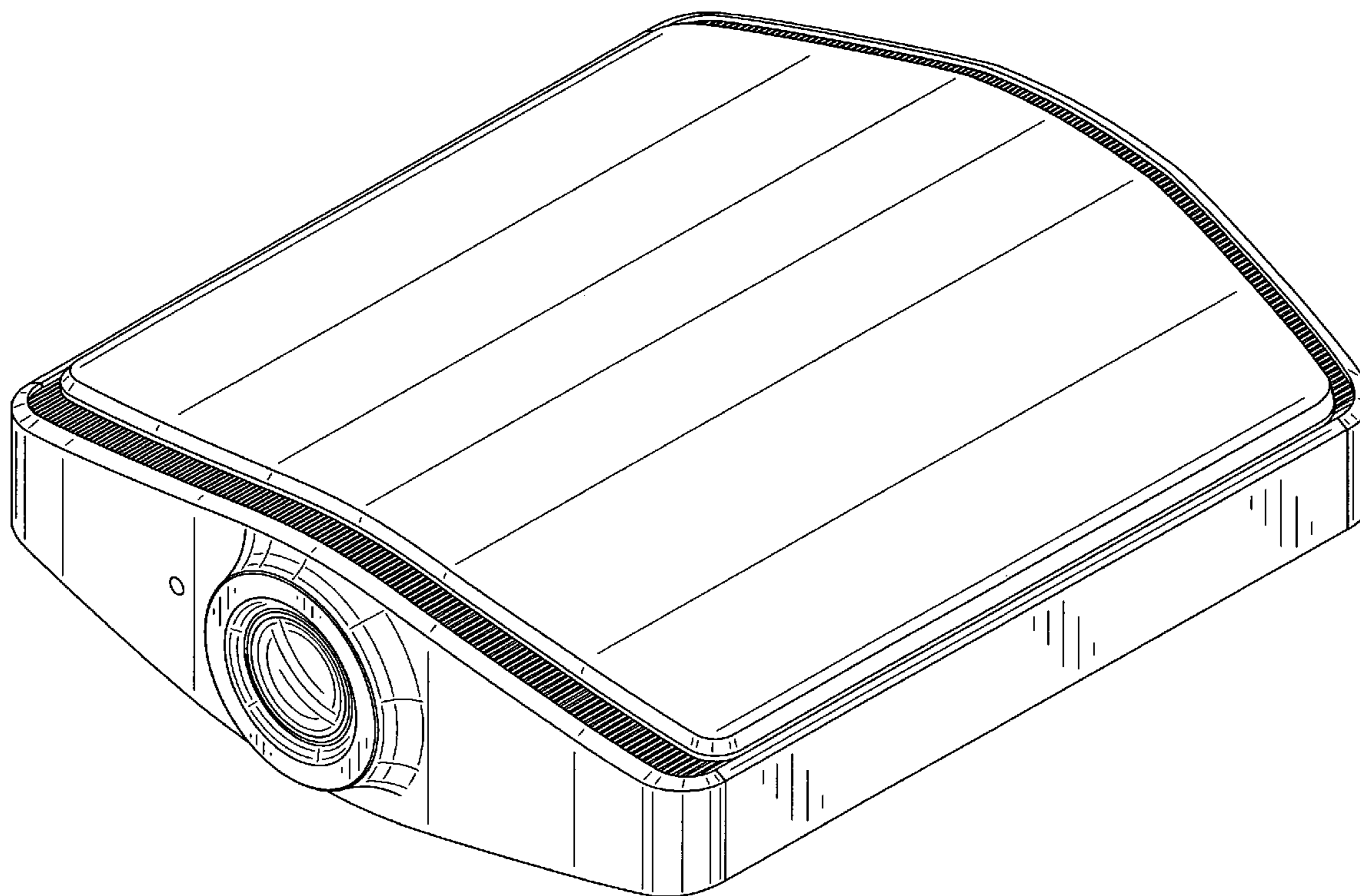
FIG. 4 is a left side elevational view thereof;

FIG. 5 is a right side elevational view thereof;

FIG. 6 is a top plan view thereof; and,

FIG. 7 is a bottom plan view thereof.

**1 Claim, 7 Drawing Sheets**



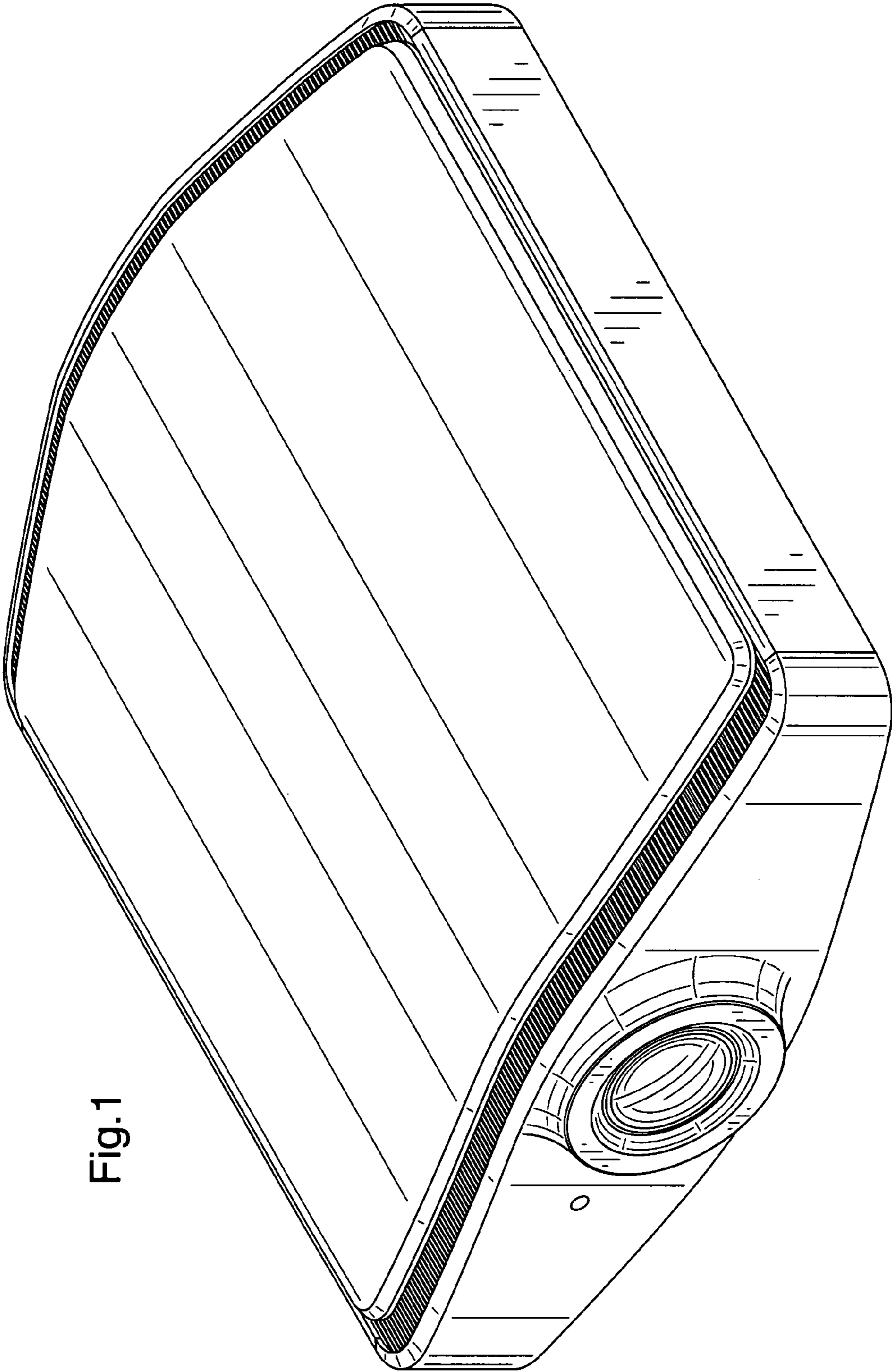


Fig.1

Fig.2

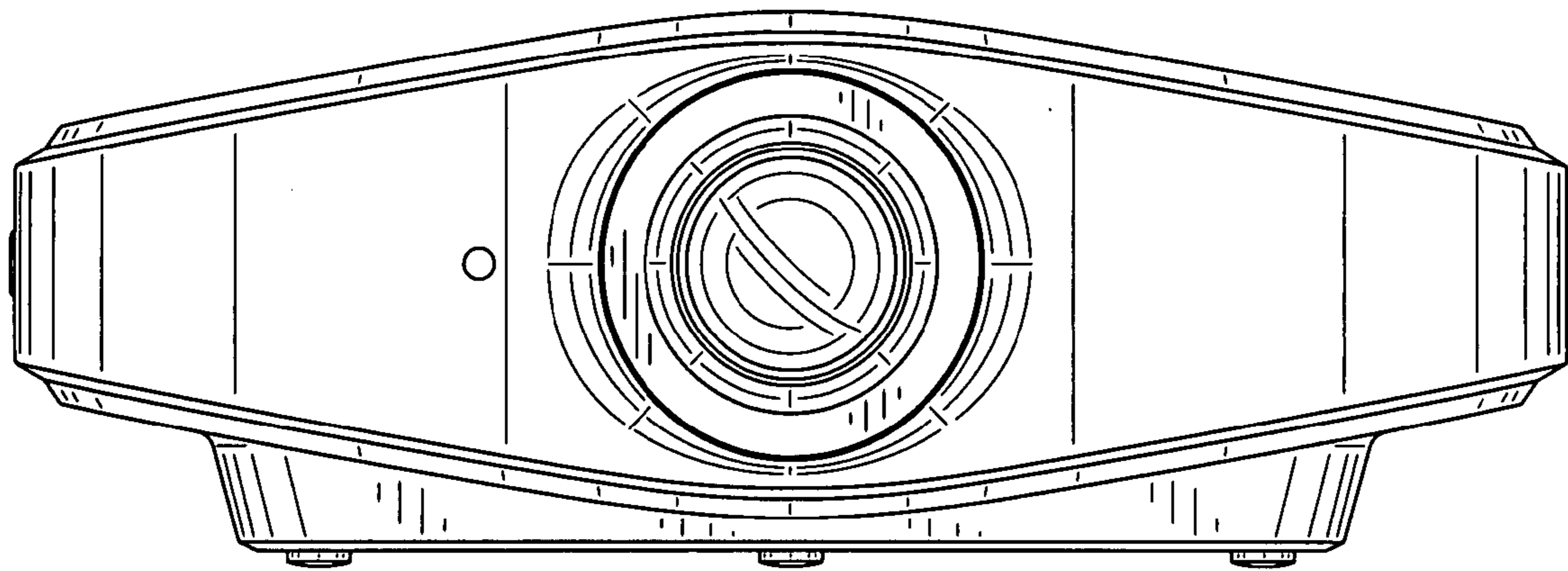


Fig.3

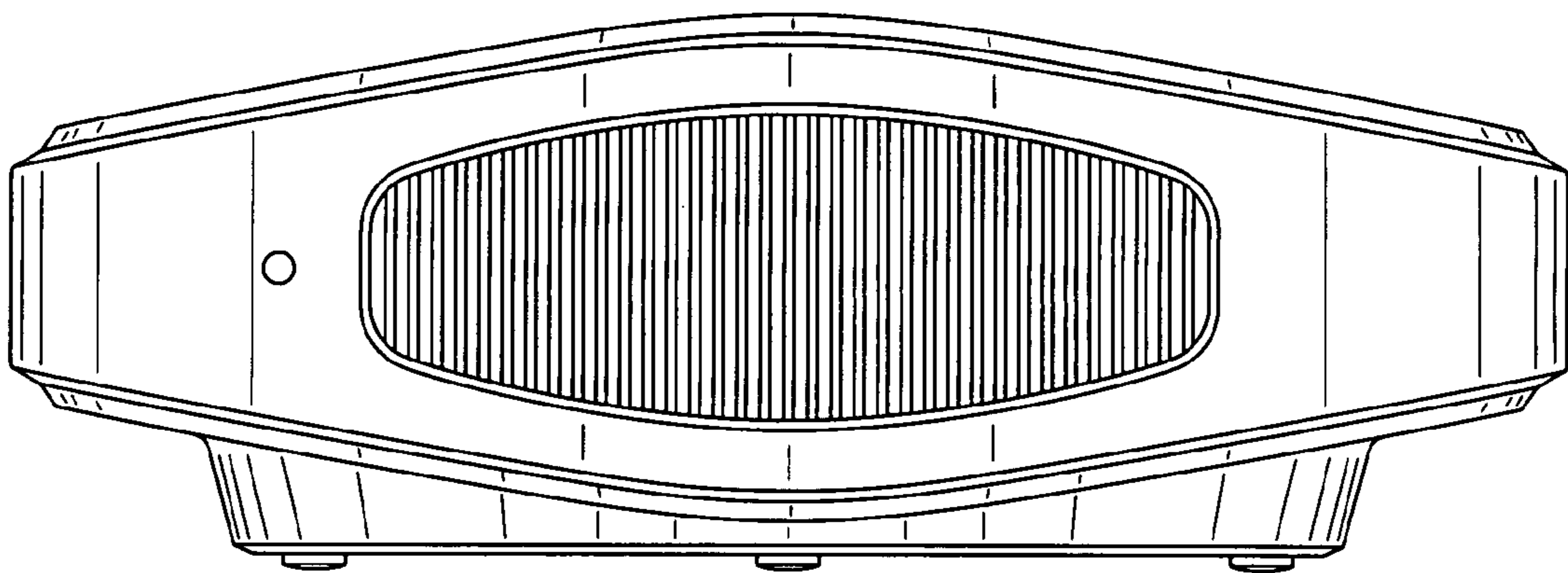


Fig.4

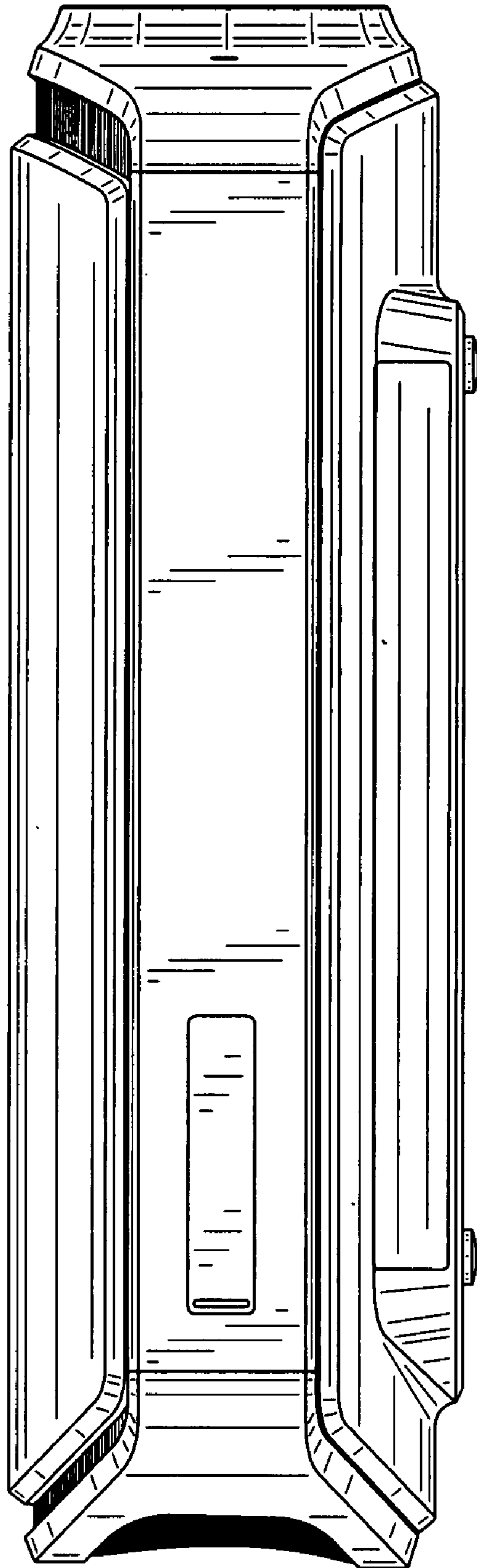


Fig.5

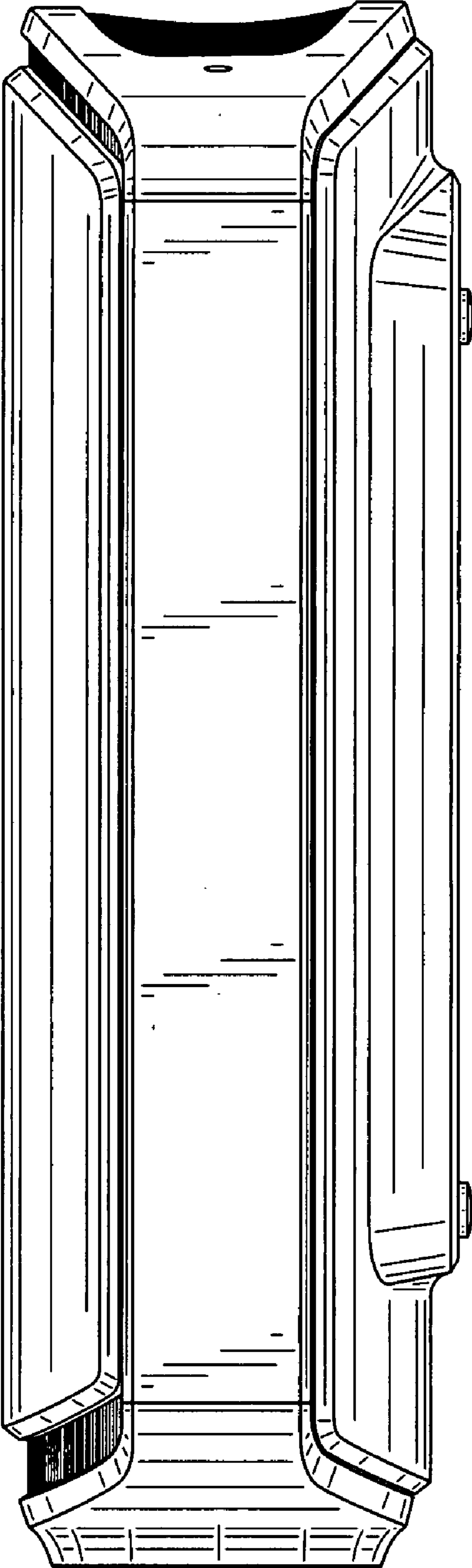


Fig.6

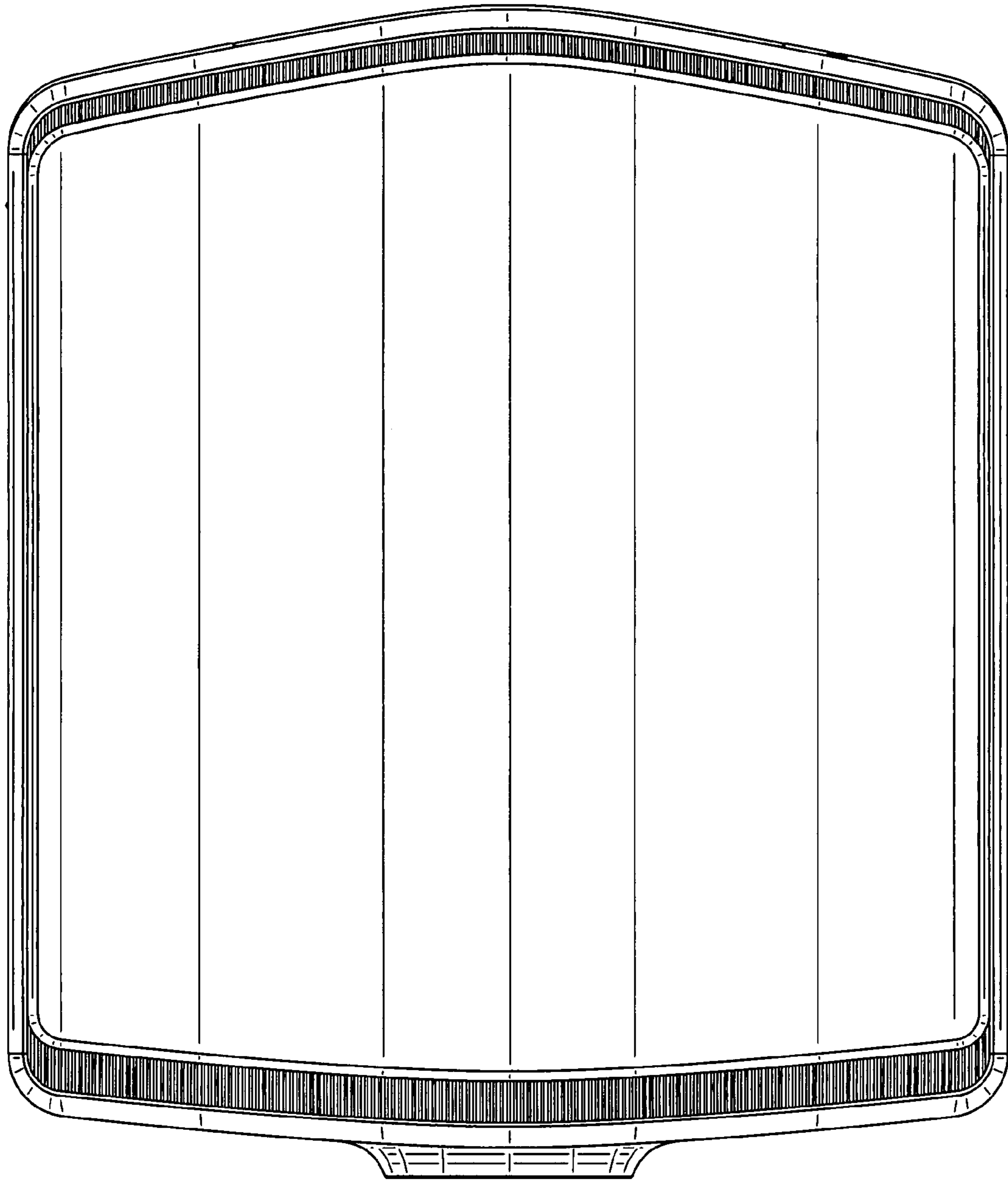


Fig.7

