

US00D547351S

(12) **United States Design Patent**  
**Kashiwagi et al.**

(10) **Patent No.:** **US D547,351 S**

(45) **Date of Patent:** **\*\* Jul. 24, 2007**

(54) **CAMERA**

(75) Inventors: **Nobuhiko Kashiwagi**, Kanagawa (JP);  
**Makoto Isozaki**, Tokyo (JP)

(73) Assignee: **Fujifilm Corporation**, Tokyo (JP)

(\*\*) Term: **14 Years**

(21) Appl. No.: **29/252,590**

(22) Filed: **Jan. 26, 2006**

(30) **Foreign Application Priority Data**

Jul. 29, 2005 (JP) ..... 2005-022129

(51) **LOC (8) Cl.** ..... **16-05**

(52) **U.S. Cl.** ..... **D16/219; D16/208; D16/209**

(58) **Field of Classification Search** ..... D16/200–205,  
D16/208–209, 134, 136, 216–219; 348/373–376;  
358/906, 909.1; 359/815, 819, 826–828;  
396/6–8, 181, 429, 176–178, 354–359, 535–541,  
396/529–532

See application file for complete search history.

(56) **References Cited**

**U.S. PATENT DOCUMENTS**

5,752,084 A \* 5/1998 Motomura et al. .... 396/6  
D415,508 S \* 10/1999 Shinano ..... D16/202  
D431,055 S 9/2000 Tachau et al.  
D438,554 S \* 3/2001 Katayama ..... D16/209  
6,233,404 B1 \* 5/2001 Tobise et al. .... 396/176  
D449,326 S \* 10/2001 Shimamura et al. .... D16/209  
D481,055 S 10/2003 Senda

6,714,728 B2 \* 3/2004 Moriya et al. .... 396/6  
6,741,806 B2 \* 5/2004 Mikami et al. .... 396/6  
6,816,673 B2 \* 11/2004 Uchiyama et al. .... 396/6

\* cited by examiner

*Primary Examiner*—Ian Simmons

*Assistant Examiner*—Wan Laymon

(74) *Attorney, Agent, or Firm*—Young & Thompson

(57) **CLAIM**

The ornamental design for a camera, as shown and described.

**DESCRIPTION**

FIG. 1 is a top, front and side perspective view of a camera showing our new design;

FIG. 2 is a front elevational view thereof;

FIG. 3 is a top plan view thereof;

FIG. 4 is a side elevational view thereof from the right of FIG. 2;

FIG. 5 is a top, front and side perspective view thereof, with the light reducing panel shown in a lower position;

FIG. 6 is a front elevational view thereof;

FIG. 7 is a top plan view thereof; and,

FIG. 8 is an enlarged fragmentary front elevational view of the light reducing panel of FIG. 2.

The parts shown in broken lines are only to illustrate the environment and are not claimed.

**1 Claim, 4 Drawing Sheets**

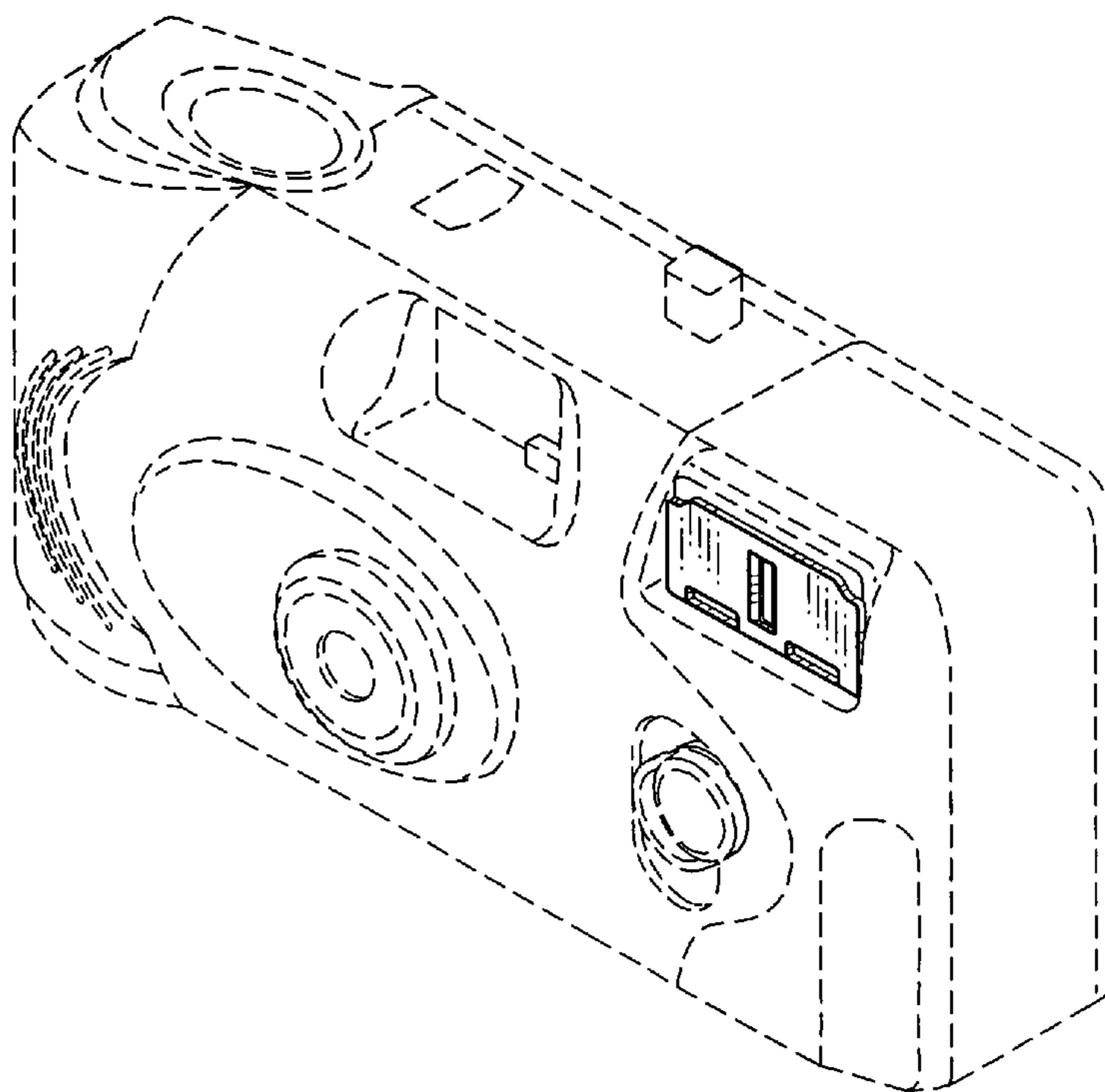


FIG. 1

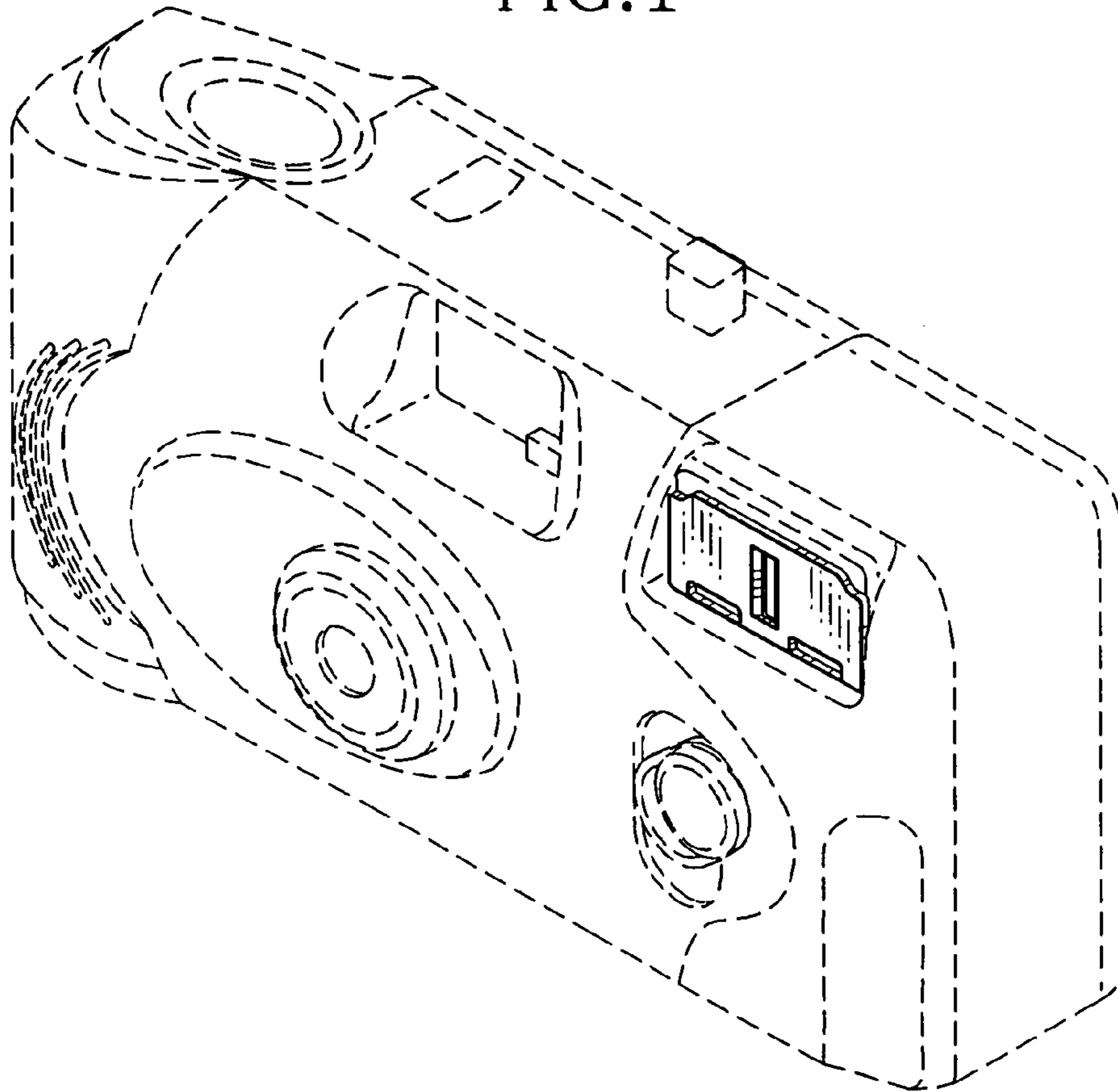


FIG. 2

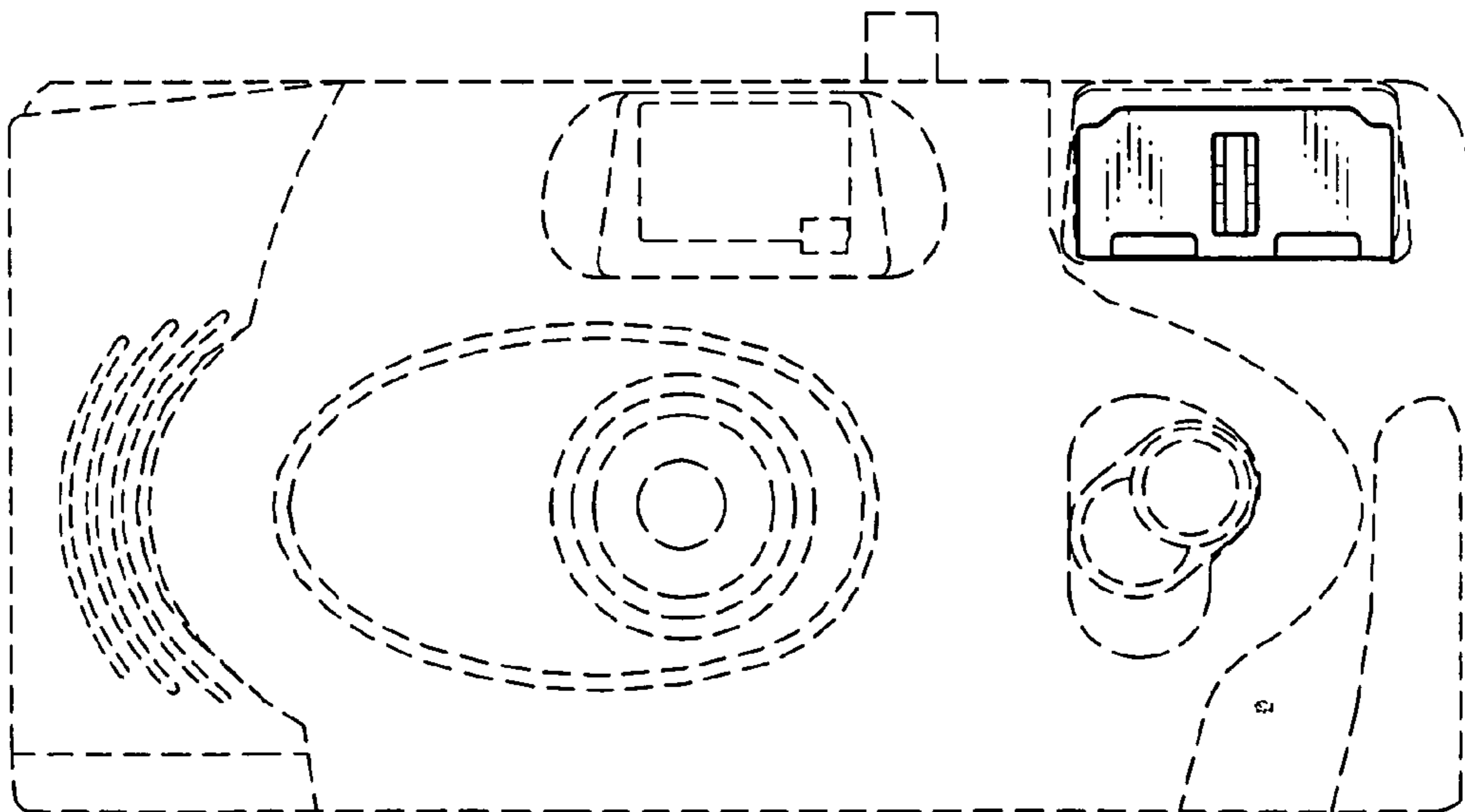


FIG.3

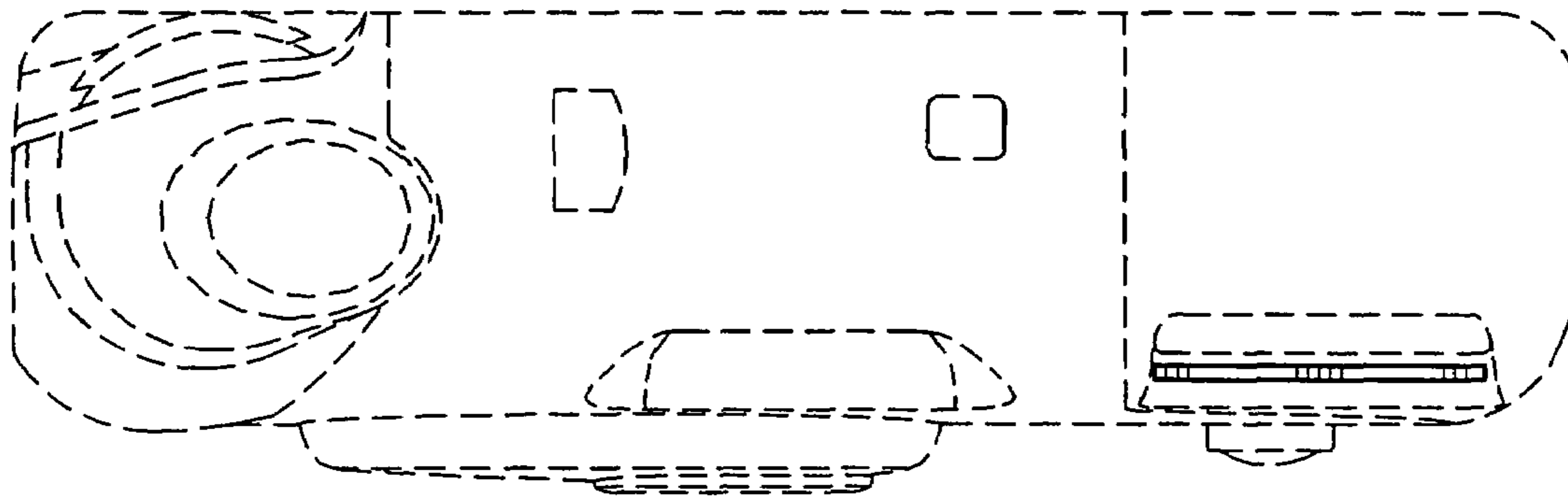


FIG.4

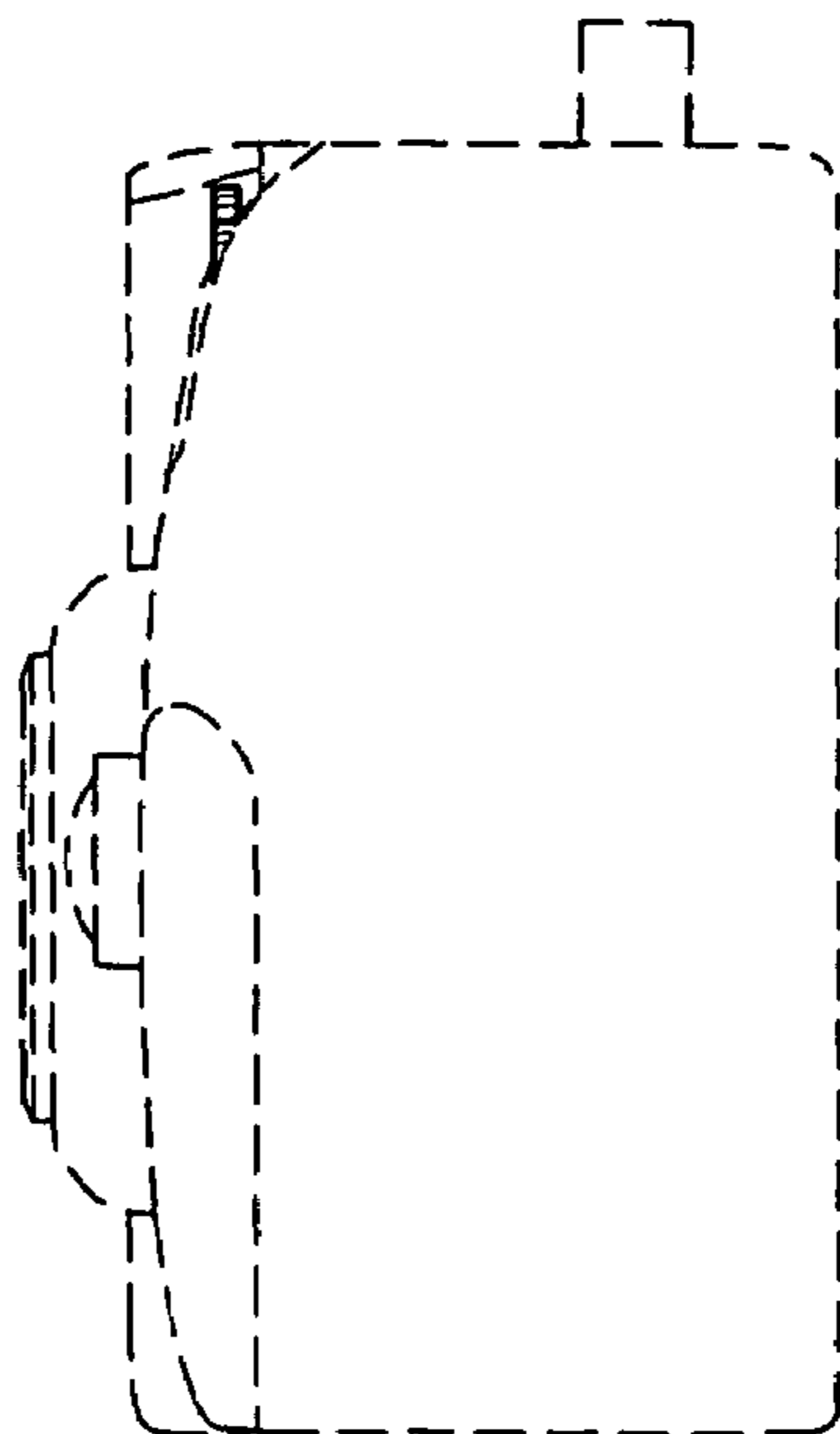


FIG. 5

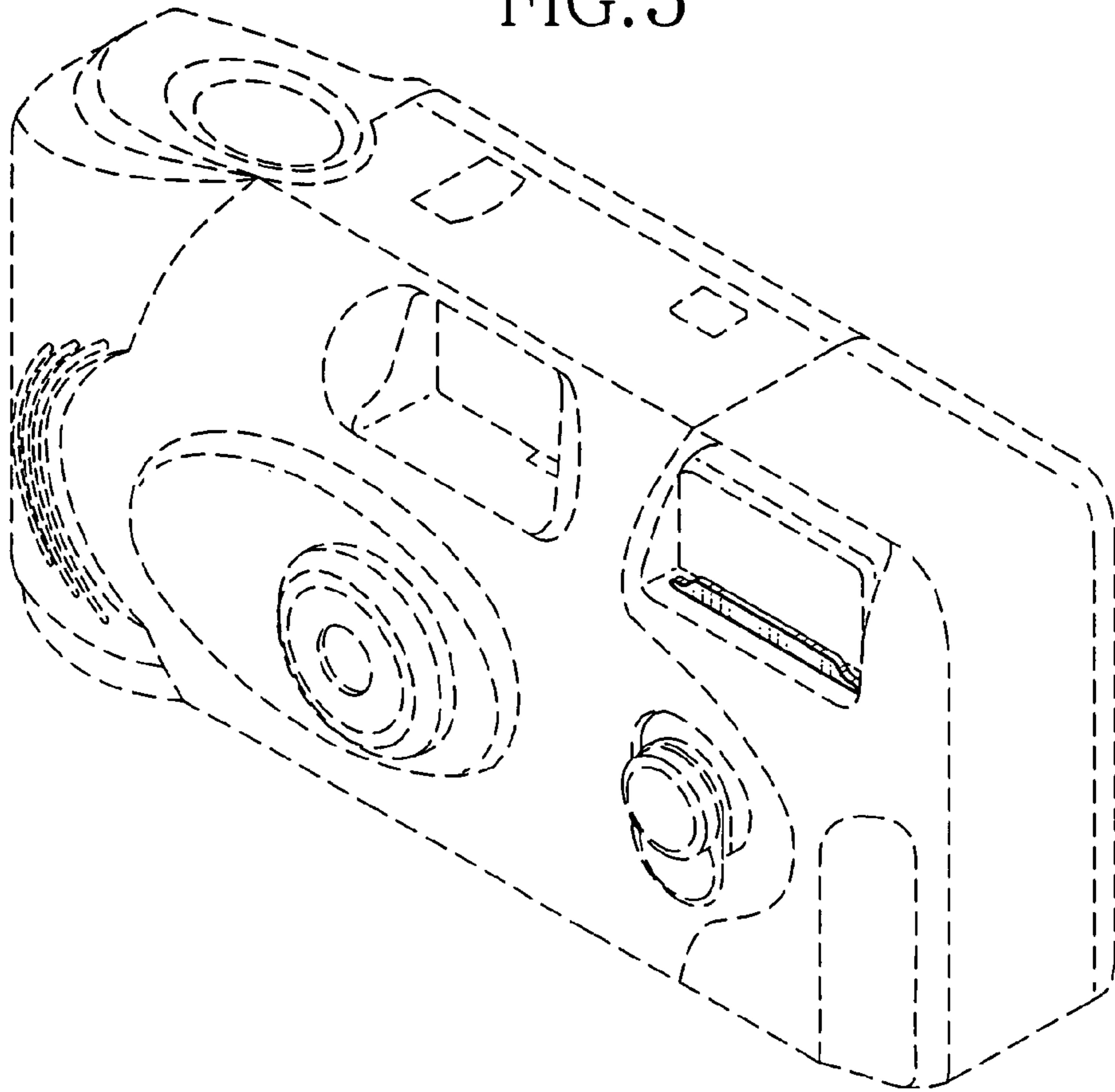


FIG. 6

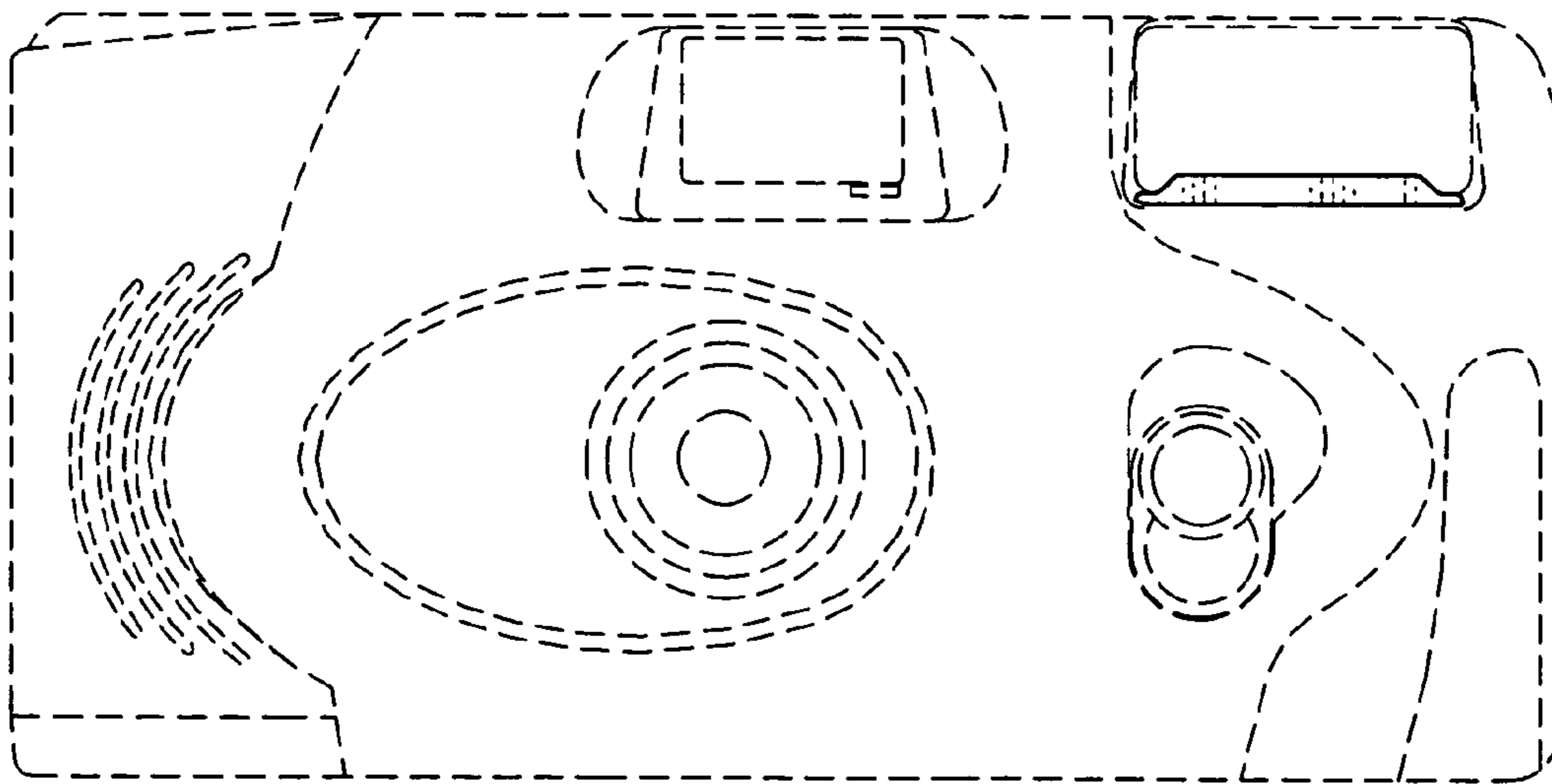


FIG. 7

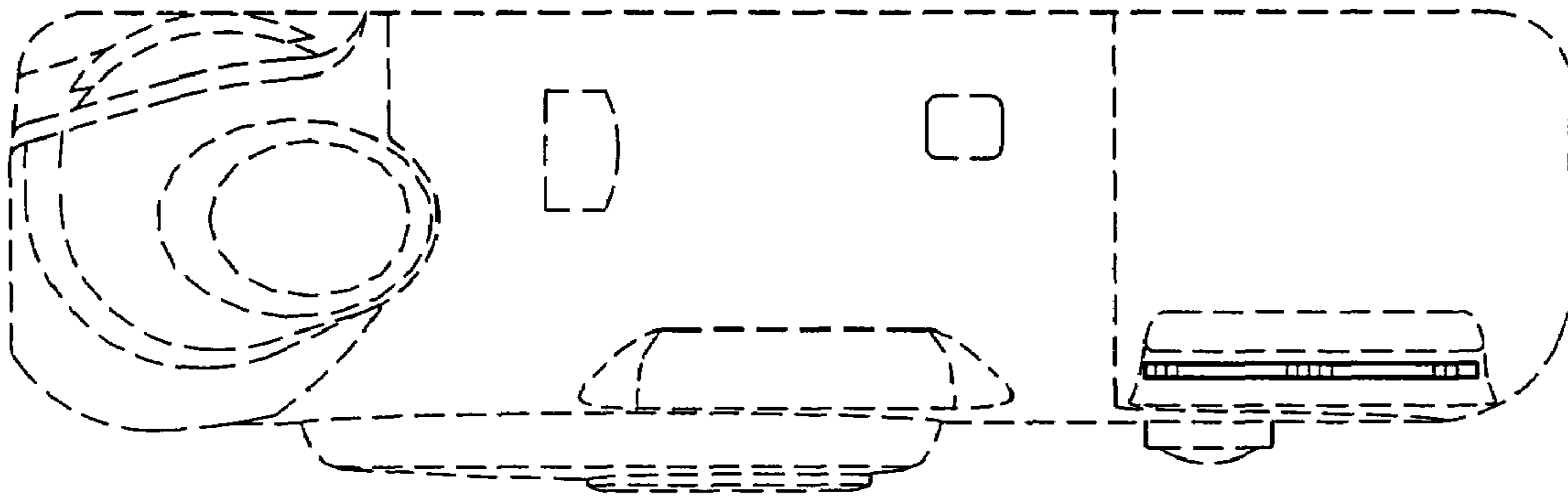


FIG. 8

