

US00D547350S

(12) **United States Design Patent**  
**Tainaka**

(10) **Patent No.:** **US D547,350 S**  
(45) **Date of Patent:** **\*\* Jul. 24, 2007**

(54) **DIGITAL CAMERA**

D509,524 S \* 9/2005 Watanabe ..... D16/219

(75) Inventor: **Daisuke Tainaka**, Hachioji (JP)

\* cited by examiner

(73) Assignee: **Olympus Imaging Corp.**, Tokyo (JP)

*Primary Examiner*—Adir Aronovich  
(74) *Attorney, Agent, or Firm*—Hogan & Hartson LLP

(\*\*) Term: **14 Years**

(57) **CLAIM**

(21) Appl. No.: **29/245,580**

The ornamental design for a digital camera, as shown and described.

(22) Filed: **Dec. 23, 2005**

(30) **Foreign Application Priority Data**

**DESCRIPTION**

Dec. 19, 2005 (JP) ..... 2005-037257

FIG. 1 is a front, top and right side perspective view thereof;

(51) **LOC (8) Cl.** ..... **16-05**

FIG. 2 is a rear, bottom and left side perspective view thereof;

(52) **U.S. Cl.** ..... **D16/219; D16/202**

FIG. 3 is a front elevational view thereof;

(58) **Field of Classification Search** ..... D13/168;

FIG. 4 is a rear elevational view thereof;

D14/412, 413; D16/200–205, 208, 218,  
D16/219, 237; 348/373–376; 358/909.1;  
396/535–541

FIG. 5 is a top plan view thereof;

See application file for complete search history.

FIG. 6 is a bottom plan view thereof;

FIG. 7 is a right side elevational view thereof; and,

(56) **References Cited**

FIG. 8 is a left side elevational view thereof.

**U.S. PATENT DOCUMENTS**

The portions of the camera in broken lines are shown for illustrative purposes only and form no part of the claimed design.

D479,708 S \* 9/2003 Hwang et al. .... D13/168

D482,379 S \* 11/2003 Utsunomiya ..... D16/219

D486,848 S \* 2/2004 Yamamoto ..... D16/219

D503,417 S \* 3/2005 Kawase ..... D16/202

**1 Claim, 5 Drawing Sheets**

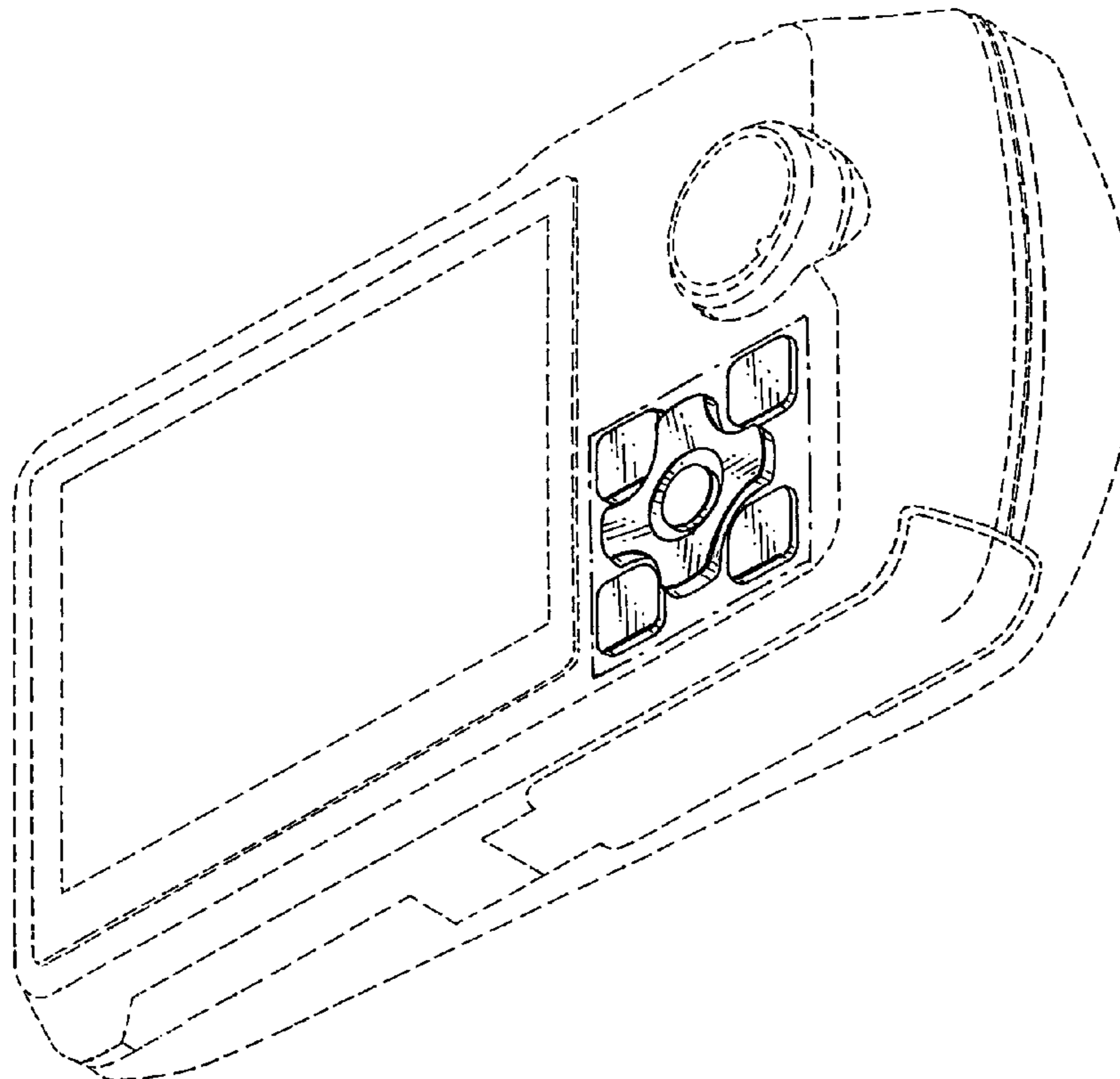


FIG. 1

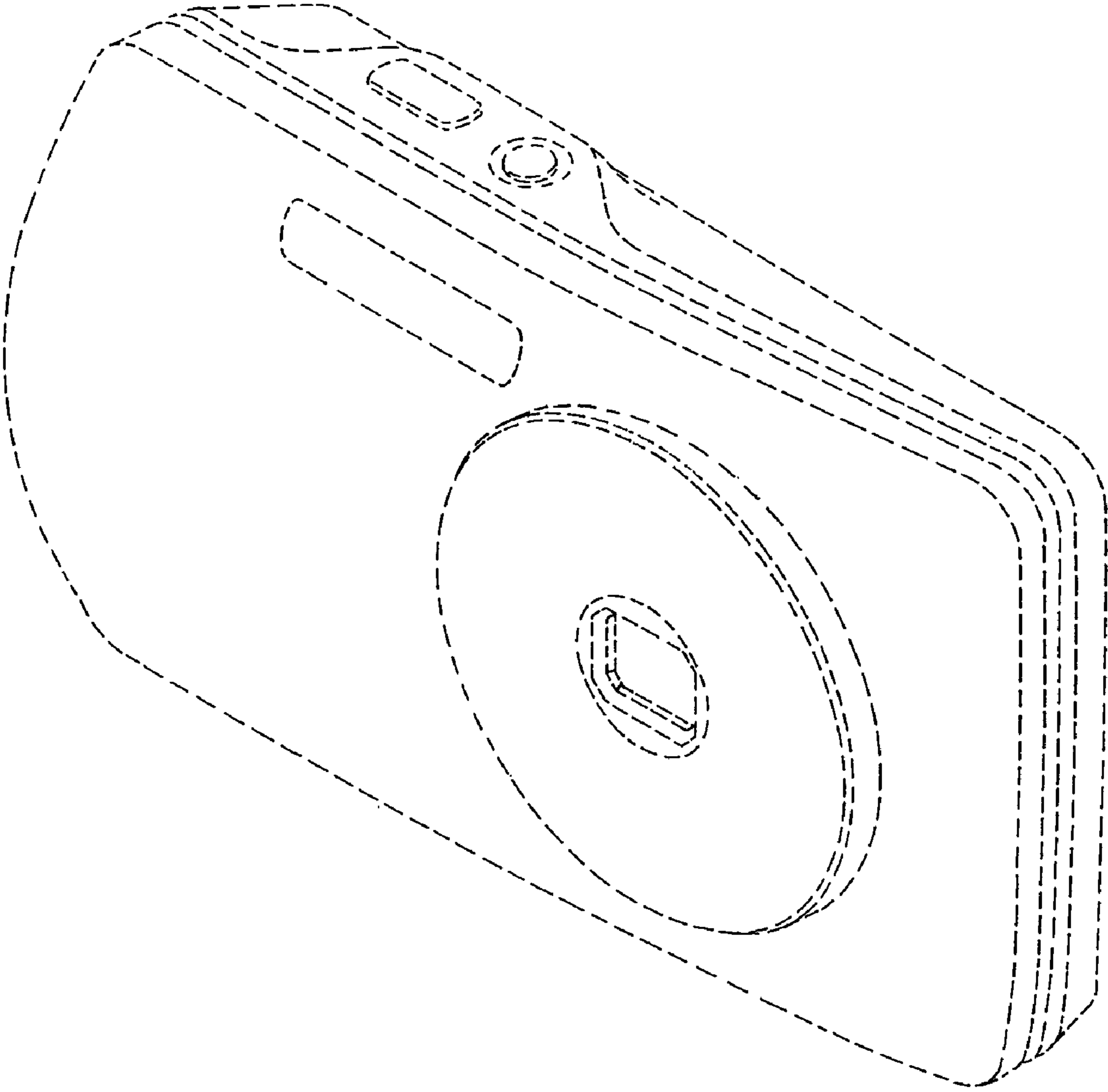


FIG. 2

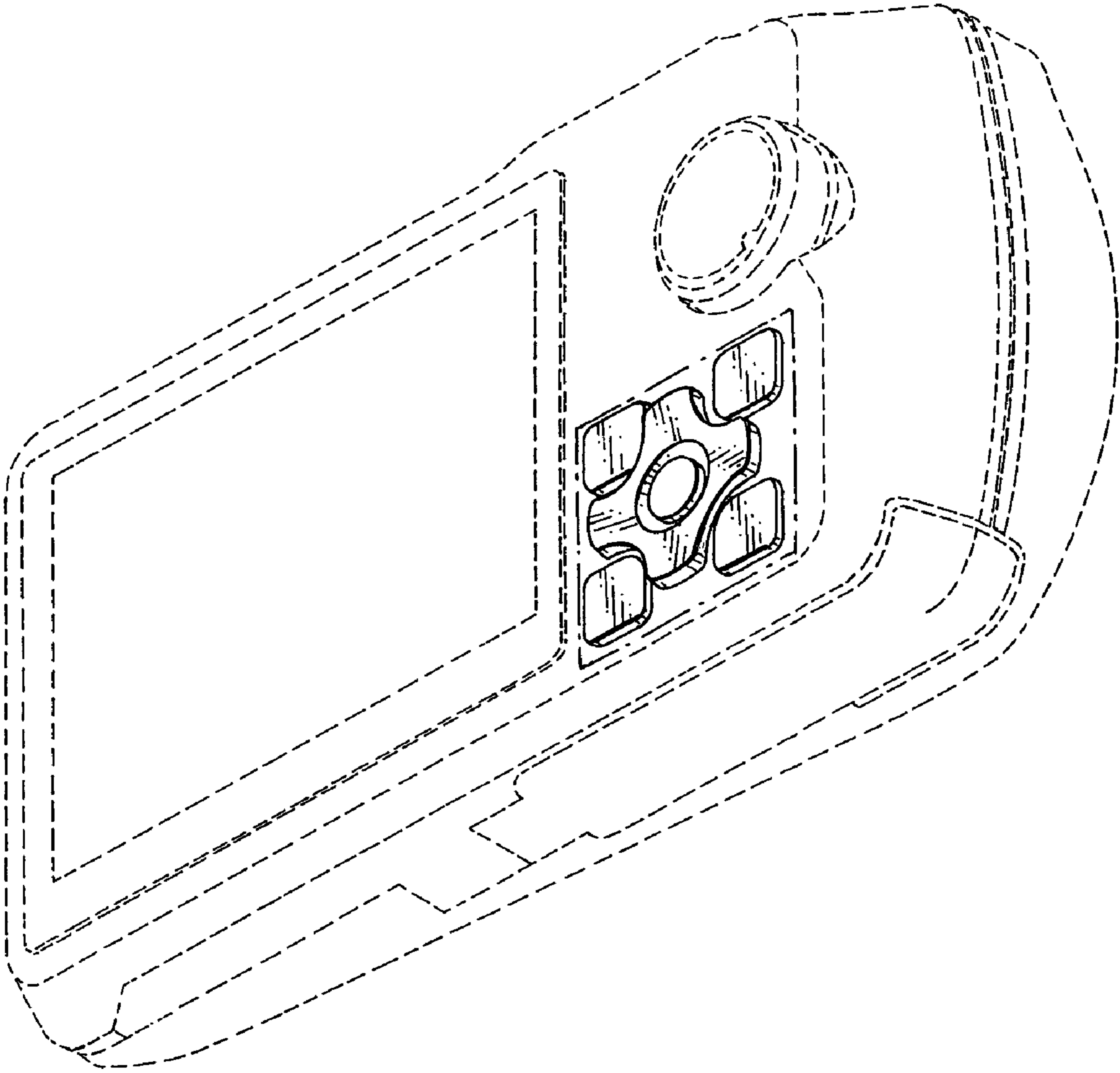


FIG. 3

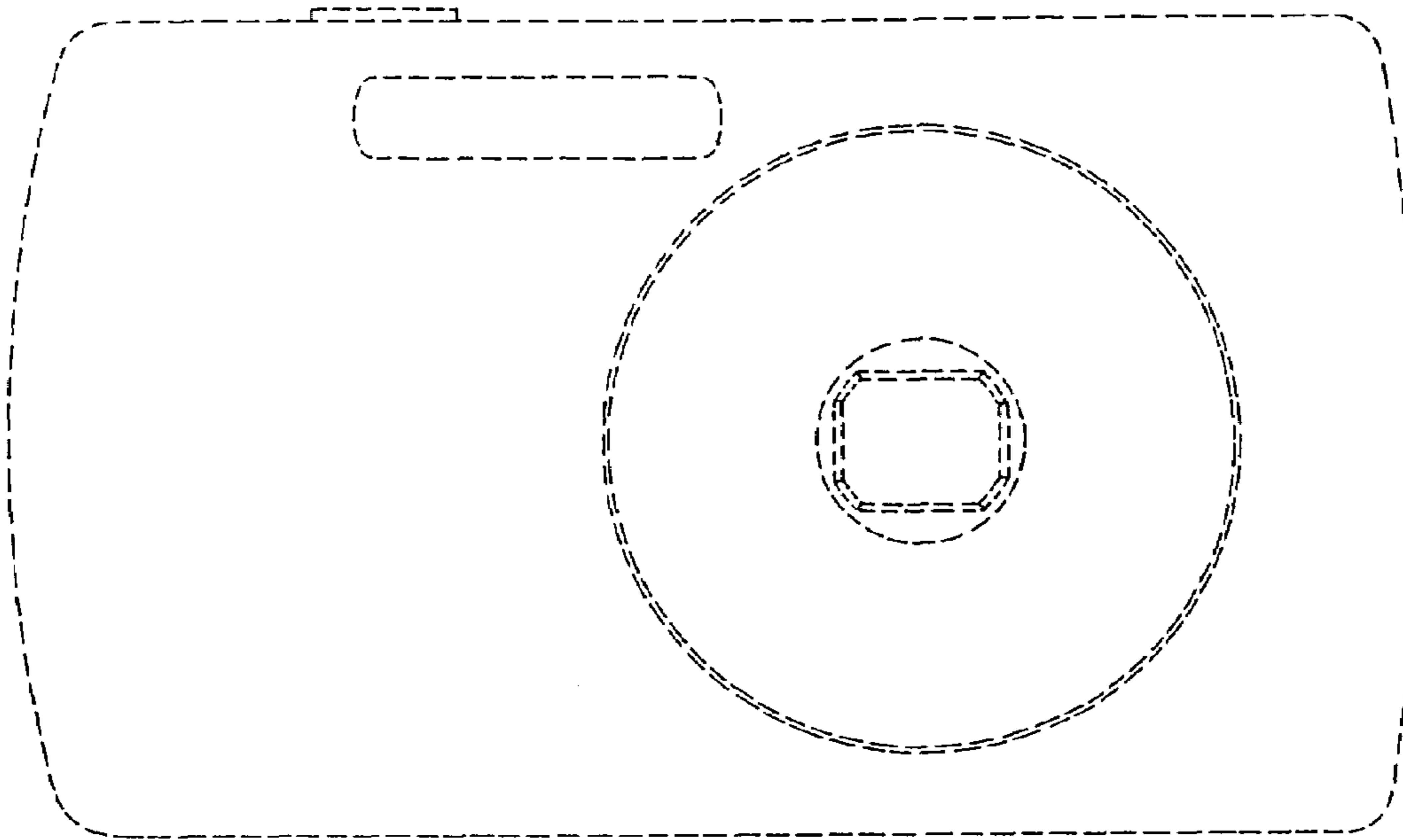


FIG. 4

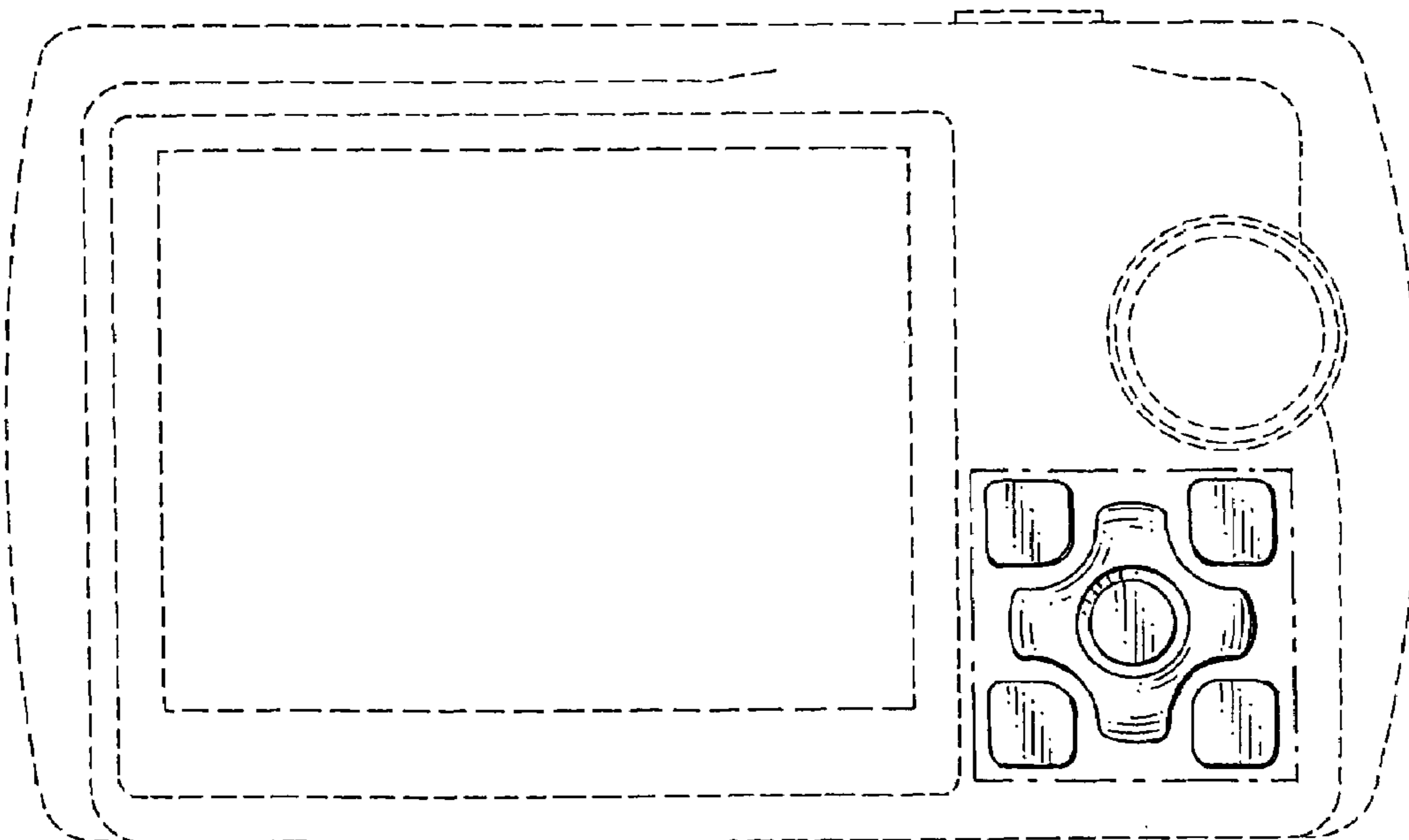


FIG. 5

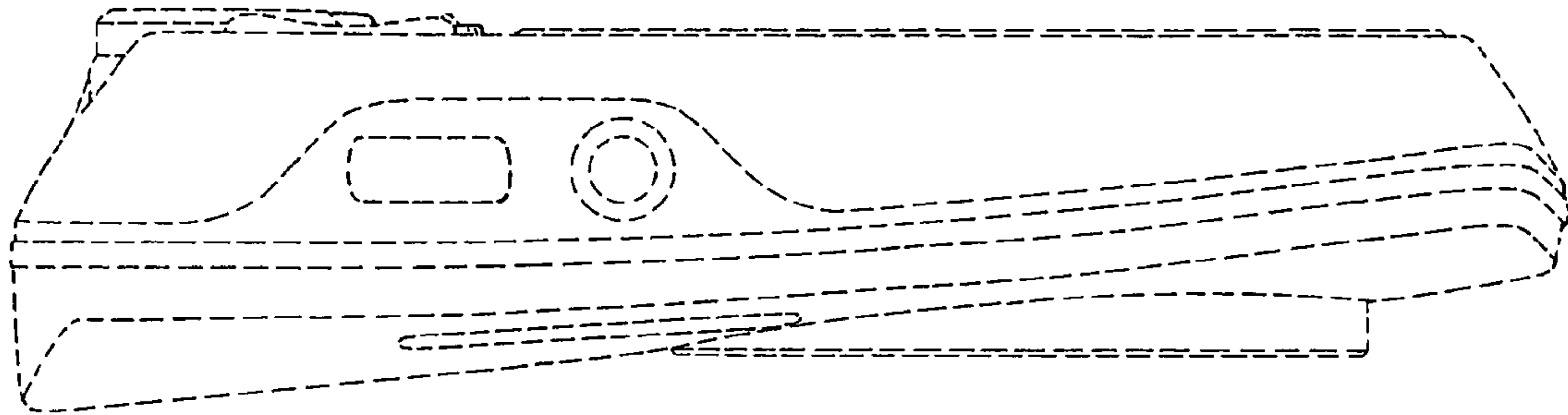


FIG. 6

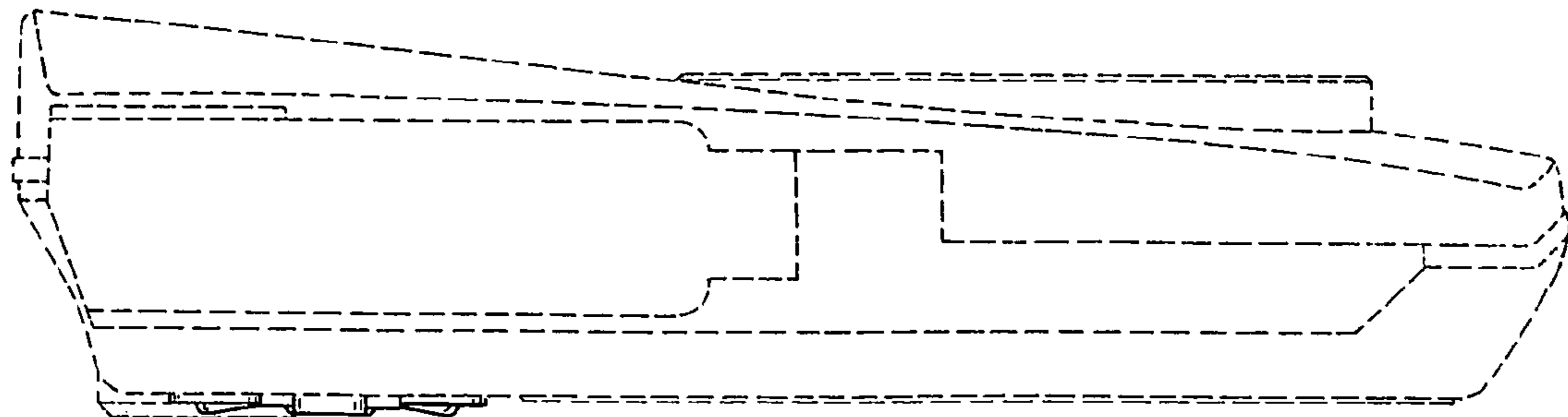


FIG. 7

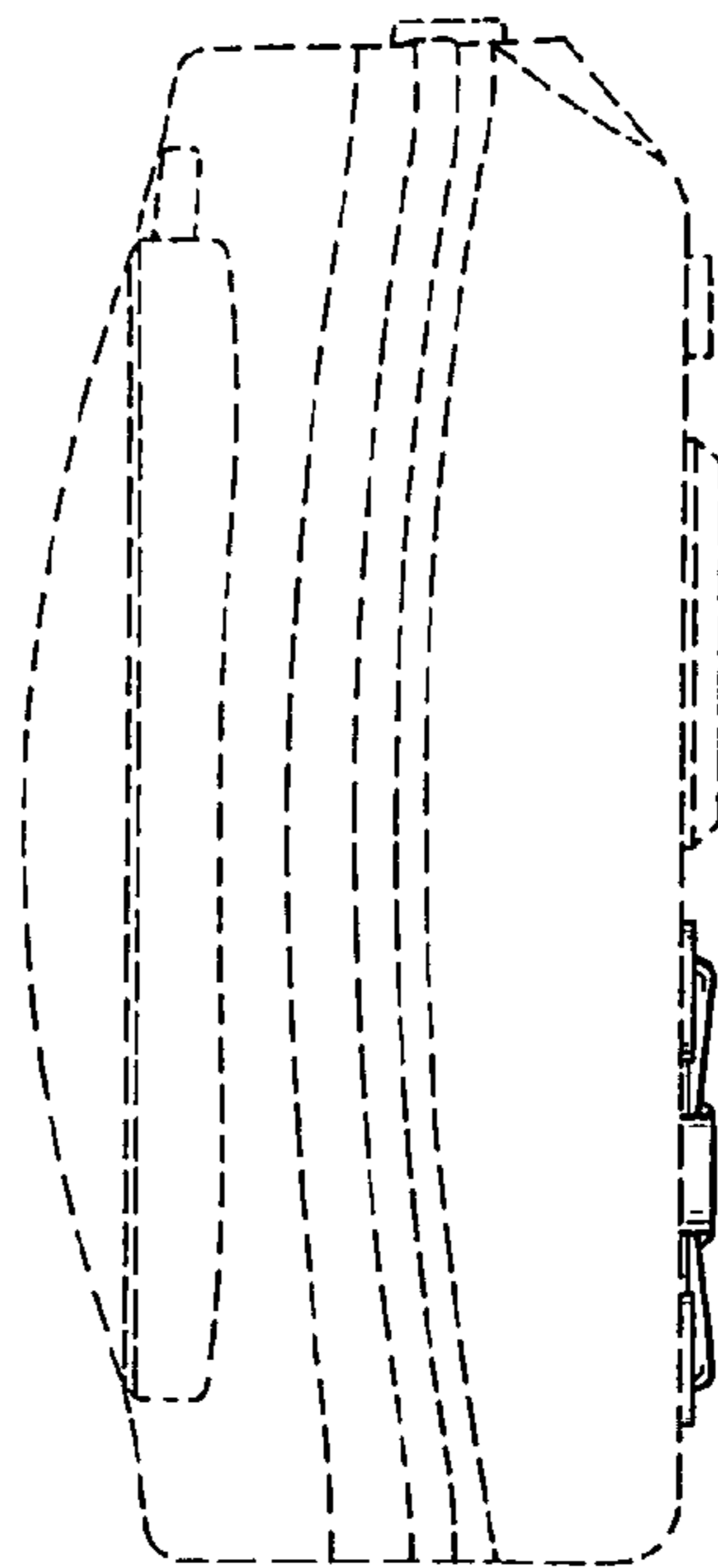


FIG. 8

