

US00D547346S

(12) **United States Design Patent**  
**Ollila**

(10) **Patent No.:** **US D547,346 S**  
(45) **Date of Patent:** **\*\* Jul. 24, 2007**

(54) **CAMERA**

(75) Inventor: **David J. Ollila**, Marquette, MI (US)

(73) Assignee: **V.I.O., Inc.**, Marquette, MI (US)

(\*\*) Term: **14 Years**

(21) Appl. No.: **29/248,221**

(22) Filed: **Aug. 3, 2006**

**Related U.S. Application Data**

(60) Division of application No. 11/239,896, filed on Sep. 30, 2005, which is a continuation-in-part of application No. 10/796,356, filed on Mar. 9, 2004.

(51) **LOC (8) Cl.** ..... **16-01**

(52) **U.S. Cl.** ..... **D16/203; D16/242**

(58) **Field of Classification Search** ..... D16/200–205, D16/208, 218, 242; 348/143, 151, 373–376; 358/906; 396/419, 427, 535–541

See application file for complete search history.

(56) **References Cited**

**U.S. PATENT DOCUMENTS**

|               |         |               |               |
|---------------|---------|---------------|---------------|
| 4,097,893 A   | 6/1978  | Camras        |               |
| 4,135,241 A   | 1/1979  | Stanis et al. |               |
| D258,444 S *  | 3/1981  | Mineshima     | ..... D16/218 |
| 4,344,092 A * | 8/1982  | Miller        | ..... 348/373 |
| 4,547,815 A   | 10/1985 | Kimura        |               |
| 4,605,959 A   | 8/1986  | Colbaugh      |               |
| 4,701,797 A   | 10/1987 | Ferreira      |               |
| 4,768,090 A * | 8/1988  | Camps et al.  | ..... 348/143 |
| 4,786,966 A   | 11/1988 | Hanson et al. |               |
| 4,789,235 A   | 12/1988 | Borah et al.  |               |
| 4,792,223 A   | 12/1988 | Axelbaum      |               |
| RE33,054 E    | 9/1989  | Markham       |               |
| 4,867,550 A   | 9/1989  | Jannard       |               |
| 4,884,137 A   | 11/1989 | Hanson et al. |               |
| 4,970,589 A   | 11/1990 | Hanson et al. |               |
| 5,005,213 A   | 4/1991  | Hanson et al. |               |
| 5,033,818 A   | 7/1991  | Barr          |               |

|             |         |                 |
|-------------|---------|-----------------|
| 5,054,903 A | 10/1991 | Jannard et al.  |
| 5,137,342 A | 8/1992  | Jannard et al.  |
| 5,172,256 A | 12/1992 | Sethofer et al. |
| 5,189,512 A | 2/1993  | Cameron et al.  |
| 5,193,000 A | 3/1993  | Lipton et al.   |
| 5,200,827 A | 4/1993  | Hanson et al.   |
| 5,208,614 A | 5/1993  | Jannard         |
| 5,249,001 A | 9/1993  | Jannard         |
| 5,353,378 A | 10/1994 | Hoffman et al.  |
| 5,387,949 A | 2/1995  | Tackles         |
| 5,414,544 A | 5/1995  | Aoyagi et al.   |
| 5,424,556 A | 6/1995  | Symosek et al.  |
| 5,446,507 A | 8/1995  | Chang           |
| 5,455,637 A | 10/1995 | Kallman et al.  |
| 5,455,638 A | 10/1995 | Kallman et al.  |
| 5,508,737 A | 4/1996  | Lang            |
| 5,512,396 A | 4/1996  | Hicks           |
| 5,513,129 A | 4/1996  | Bolas et al.    |
| 5,543,816 A | 8/1996  | Heacock         |
| 5,550,599 A | 8/1996  | Jannard         |
| 5,583,571 A | 12/1996 | Friedland       |
| 5,594,498 A | 1/1997  | Fraley          |

(Continued)

*Primary Examiner*—Adir Aronovich

(74) *Attorney, Agent, or Firm*—Dobrusin & Thennisch PC

(57) **CLAIM**

The ornamental design for a camera, as shown and described.

**DESCRIPTION**

FIG. 1 is a perspective view illustrating the camera of the present invention;

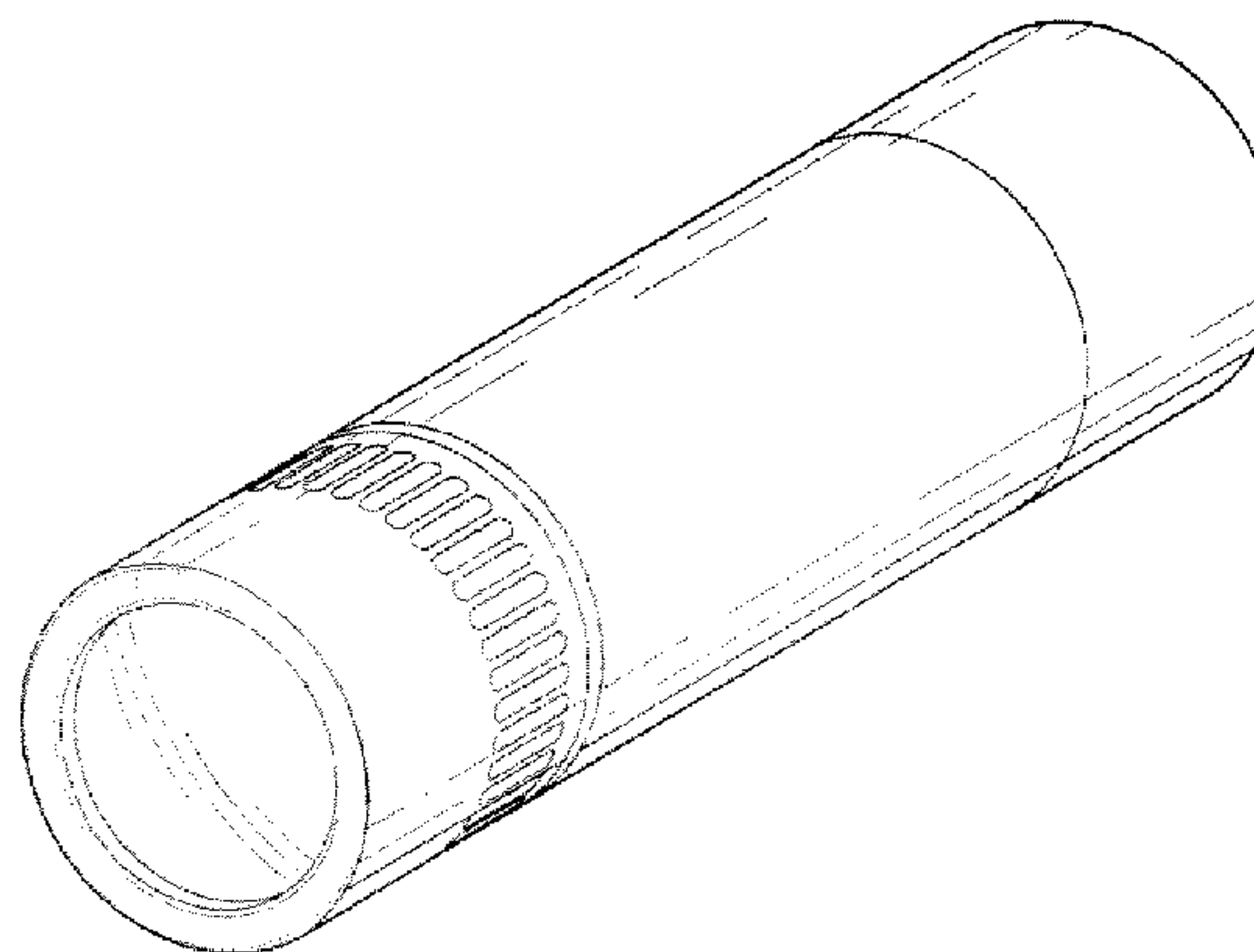
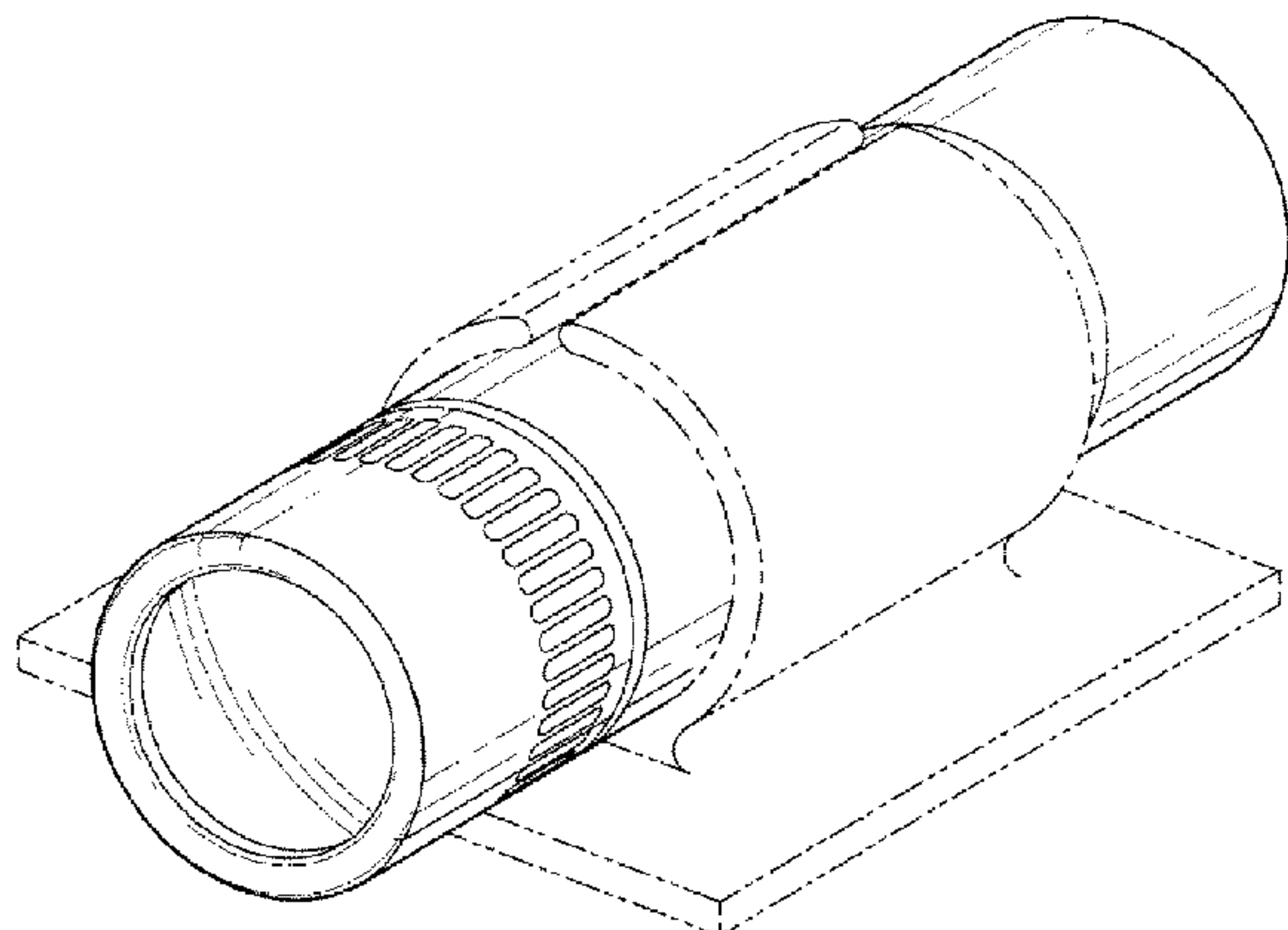
FIG. 2 is another perspective view of the camera;

FIG. 3 is a top view thereof; and,

FIG. 4 is front view of the camera.

The broken line showing of a mount for a camera is included to illustrate environment only and forms no part of the claimed design.

**1 Claim, 2 Drawing Sheets**



# US D547,346 S

Page 2

| U.S. PATENT DOCUMENTS |         |                            |                   |         |                               |
|-----------------------|---------|----------------------------|-------------------|---------|-------------------------------|
|                       |         |                            | 6,862,087 B2      | 3/2005  | Kuroda et al.                 |
|                       |         |                            | 6,879,443 B2      | 4/2005  | Spitzer et al.                |
| 5,598,208 A           | 1/1997  | McClintock                 | D506,215 S *      | 6/2005  | Lin et al. .... D16/218       |
| D378,095 S *          | 2/1997  | Hasegawa ..... D16/203     | D510,374 S *      | 10/2005 | Greenwood et al. .... D16/203 |
| 5,616,030 A           | 4/1997  | Watson                     | D528,576 S *      | 9/2006  | Chung et al. .... D16/202     |
| 5,638,145 A           | 6/1997  | Jannard et al.             | 2001/0001570 A1   | 5/2001  | Houston et al.                |
| 5,648,832 A           | 7/1997  | Houston et al.             | 2001/0028309 A1   | 10/2001 | Torch                         |
| 5,708,489 A           | 1/1998  | Jannard                    | 2001/0038491 A1   | 11/2001 | Ferguson                      |
| 5,712,732 A           | 1/1998  | Street                     | 2001/0043266 A1   | 11/2001 | Robinson et al.               |
| D392,300 S *          | 3/1998  | Chow et al. .... D16/203   | 2002/0013698 A1   | 1/2002  | Vaudrey et al.                |
| 5,757,339 A           | 5/1998  | Williams et al.            | 2002/0015233 A1   | 2/2002  | Park                          |
| 5,760,868 A           | 6/1998  | Jannard et al.             | 2002/0039170 A1   | 4/2002  | Jannard et al.                |
| 5,774,201 A           | 6/1998  | Tackles                    | 2002/0044361 A1   | 4/2002  | Scott et al.                  |
| 5,777,715 A           | 7/1998  | Kruegle et al.             | 2002/0084990 A1   | 7/2002  | Peterson, III                 |
| 5,805,261 A           | 9/1998  | Houston et al.             | 2002/0089589 A1   | 7/2002  | Adair et al.                  |
| 5,835,185 A           | 11/1998 | Kallman et al.             | 2002/0101510 A1   | 8/2002  | Basson et al.                 |
| 5,853,005 A           | 12/1998 | Scanlon                    | 2002/0122353 A1   | 9/2002  | Polany et al.                 |
| 5,867,210 A           | 2/1999  | Rod                        | 2002/0135734 A1   | 9/2002  | Reichow et al.                |
| 5,869,323 A           | 2/1999  | Horn                       | 2002/0140901 A1   | 10/2002 | Reichow et al.                |
| H1790 H               | 3/1999  | Coleman                    | 2002/0159023 A1   | 10/2002 | Swab                          |
| 5,886,822 A           | 3/1999  | Spitzer                    | 2002/0163578 A1   | 11/2002 | Adair et al.                  |
| 5,926,318 A           | 7/1999  | Hebert                     | 2002/0171940 A1   | 11/2002 | He et al.                     |
| 5,954,507 A           | 9/1999  | Rod et al.                 | 2002/0175897 A1   | 11/2002 | Pelosi                        |
| 5,997,138 A           | 12/1999 | Suiter                     | 2002/0180867 A1   | 12/2002 | Adair et al.                  |
| 6,009,564 A           | 1/2000  | Tackles et al.             | 2002/0196554 A1   | 12/2002 | Cobb et al.                   |
| 6,010,217 A           | 1/2000  | Houston et al.             | 2003/0020807 A1   | 1/2003  | Khoshnevis et al.             |
| 6,023,372 A           | 2/2000  | Spitzer et al.             | 2003/0067585 A1   | 4/2003  | Miller et al.                 |
| 6,055,450 A           | 4/2000  | Ashburn                    | 2003/0068057 A1   | 4/2003  | Miller et al.                 |
| 6,057,966 A           | 5/2000  | Carroll et al.             | 2003/0090439 A1   | 5/2003  | Spitzer et al.                |
| 6,091,546 A           | 7/2000  | Spitzer                    | 2003/0122958 A1 * | 7/2003  | Olita et al. .... 348/373     |
| 6,091,832 A           | 7/2000  | Shurman et al.             | 2003/0125629 A1   | 7/2003  | Ustuner                       |
| D430,888 S *          | 9/2000  | Adachi et al. .... D16/203 | 2003/0156188 A1   | 8/2003  | Abrams, Jr.                   |
| 6,176,576 B1          | 1/2001  | Green et al.               | 2003/0164819 A1   | 9/2003  | Waibel                        |
| 6,204,974 B1          | 3/2001  | Spitzer                    | 2003/0169397 A1   | 9/2003  | Reichow et al.                |
| 6,211,848 B1          | 4/2001  | Plesniak et al.            | 2003/0169494 A1   | 9/2003  | Porter et al.                 |
| 6,219,186 B1          | 4/2001  | Hebert                     | 2003/0184868 A1   | 10/2003 | Geist                         |
| 6,224,387 B1          | 5/2001  | Jones                      | 2004/0000733 A1   | 1/2004  | Swab et al.                   |
| 6,292,213 B1          | 9/2001  | Jones                      | 2004/0029582 A1   | 2/2004  | Swab et al.                   |
| 6,292,222 B1 *        | 9/2001  | Bernhardt ..... 348/375    | 2004/0030753 A1   | 2/2004  | Horvitz                       |
| 6,311,155 B1          | 10/2001 | Vaudrey et al.             | 2004/0068371 A1   | 4/2004  | Estep                         |
| 6,325,507 B1          | 12/2001 | Jannard et al.             | 2004/0086838 A1   | 5/2004  | Dinis                         |
| 6,333,757 B1          | 12/2001 | Faris                      | 2004/0119816 A1   | 6/2004  | Swain                         |
| 6,349,001 B1          | 2/2002  | Spitzer                    | 2004/0120219 A1   | 6/2004  | Polany et al.                 |
| 6,353,503 B1          | 3/2002  | Spitzer et al.             | 2004/0130614 A1   | 7/2004  | Valliath et al.               |
| 6,356,392 B1          | 3/2002  | Spitzer                    | 2004/0156113 A1   | 8/2004  | Buchanan, Jr.                 |
| 6,384,982 B1          | 5/2002  | Spitzer                    | 2004/0157649 A1   | 8/2004  | Jannard et al.                |
| 6,388,797 B1          | 5/2002  | Lipton et al.              | 2004/0160571 A1   | 8/2004  | Jannard et al.                |
| 6,417,797 B1          | 7/2002  | Cousins et al.             | 2004/0160572 A1   | 8/2004  | Jannard et al.                |
| 6,424,410 B1          | 7/2002  | Pelosi                     | 2004/0160573 A1   | 8/2004  | Jannard et al.                |
| 6,456,432 B1          | 9/2002  | Lazzaro et al.             | 2004/0183749 A1   | 9/2004  | Vertegaal                     |
| 6,483,646 B2          | 11/2002 | Scott et al.               | 2004/0186993 A1   | 9/2004  | Risan et al.                  |
| 6,487,012 B1          | 11/2002 | Khoshnevis et al.          | 2004/0205256 A1   | 10/2004 | Hoffman et al.                |
| 6,493,136 B2          | 12/2002 | Chang et al.               | 2004/0212776 A1   | 10/2004 | Spitzer et al.                |
| 6,517,353 B1          | 2/2003  | Jones                      | 2004/0212778 A1   | 10/2004 | Velazquez                     |
| 6,522,474 B2          | 2/2003  | Cobb et al.                | 2004/0239481 A1   | 12/2004 | Beenau et al.                 |
| 6,563,532 B1          | 5/2003  | Strub et al.               | 2004/0239874 A1   | 12/2004 | Swab et al.                   |
| 6,580,563 B1          | 6/2003  | Finney                     | 2004/0242976 A1   | 12/2004 | Abreu                         |
| 6,614,408 B1          | 9/2003  | Mann                       | 2004/0252012 A1   | 12/2004 | Beenau et al.                 |
| 6,618,099 B1          | 9/2003  | Spitzer                    | 2004/0254998 A1   | 12/2004 | Horvitz                       |
| D484,159 S *          | 12/2003 | Cheng ..... D16/203        | 2004/0257197 A1   | 12/2004 | Beenau et al.                 |
| 6,729,726 B2          | 5/2004  | Miller et al.              | 2005/0013005 A1   | 1/2005  | Rogers                        |
| 6,731,326 B1          | 5/2004  | Bettinardi                 | 2005/0018308 A1   | 1/2005  | Cassarly et al.               |
| 6,739,873 B1          | 5/2004  | Rod et al.                 | 2005/0033687 A1   | 2/2005  | Beenau et al.                 |
| 6,746,402 B2          | 6/2004  | Ustuner                    | 2005/0046789 A1   | 3/2005  | Jannard et al.                |
| 6,752,498 B2          | 6/2004  | Covannon et al.            | 2005/0046790 A1   | 3/2005  | Jannard et al.                |
| 6,761,447 B1          | 7/2004  | Pyo                        | 2005/0046791 A1   | 3/2005  | Himmele                       |
| 6,769,767 B2          | 8/2004  | Swab et al.                | 2005/0052343 A1   | 3/2005  | Peterson, III                 |
| 6,771,423 B2          | 8/2004  | Geist                      | 2005/0058962 A1   | 3/2005  | Siemons et al.                |
| 6,795,226 B2          | 9/2004  | Agrawal et al.             | 2005/0078274 A1   | 4/2005  | Howell et al.                 |
| 6,798,391 B2          | 9/2004  | Peterson, III              | 2005/0078378 A1   | 4/2005  | Geist                         |
| 6,825,875 B1          | 11/2004 | Strub et al.               |                   |         |                               |
| 6,844,980 B2          | 1/2005  | He et al.                  |                   |         |                               |

\* cited by examiner



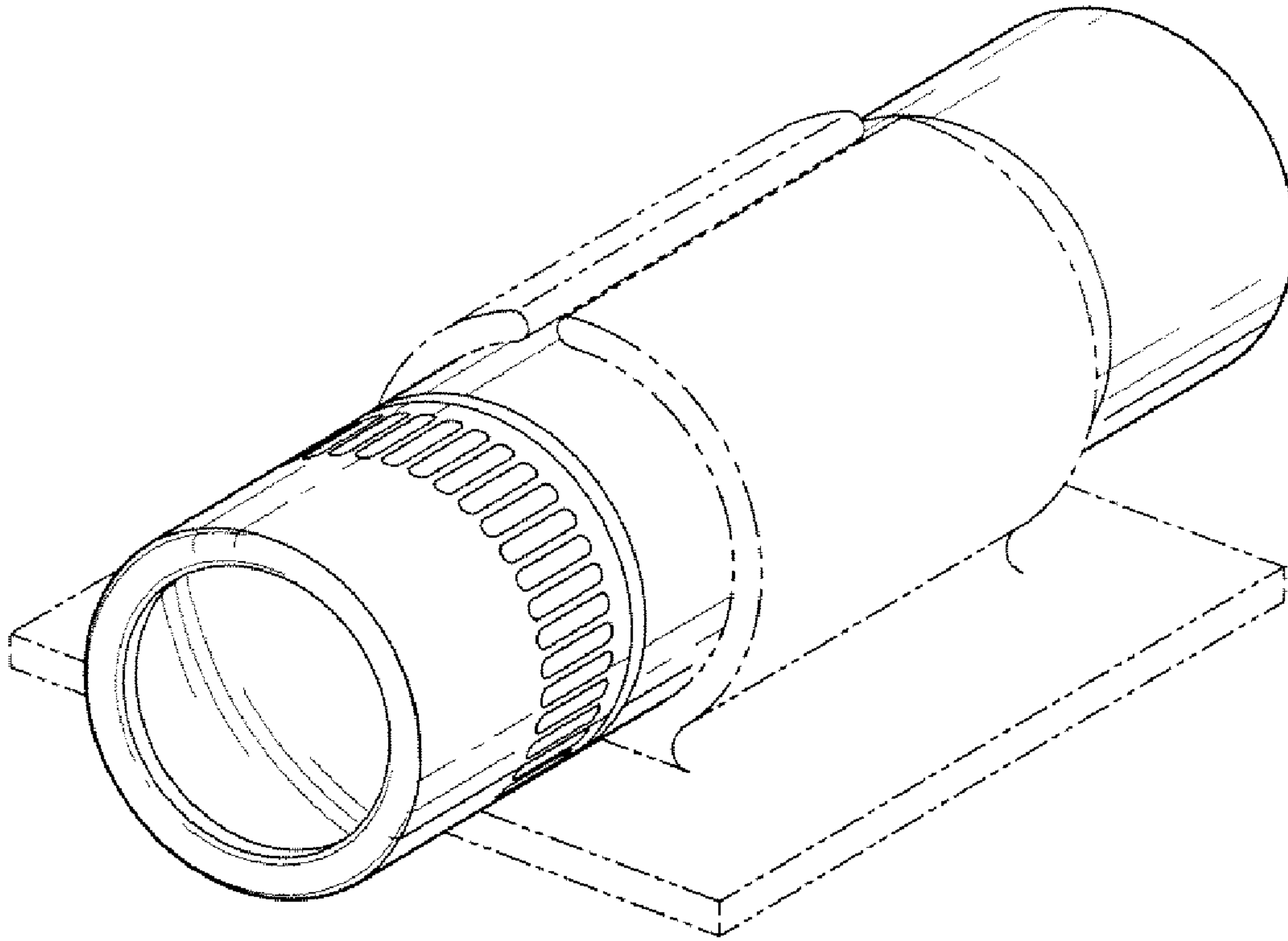


Fig-1

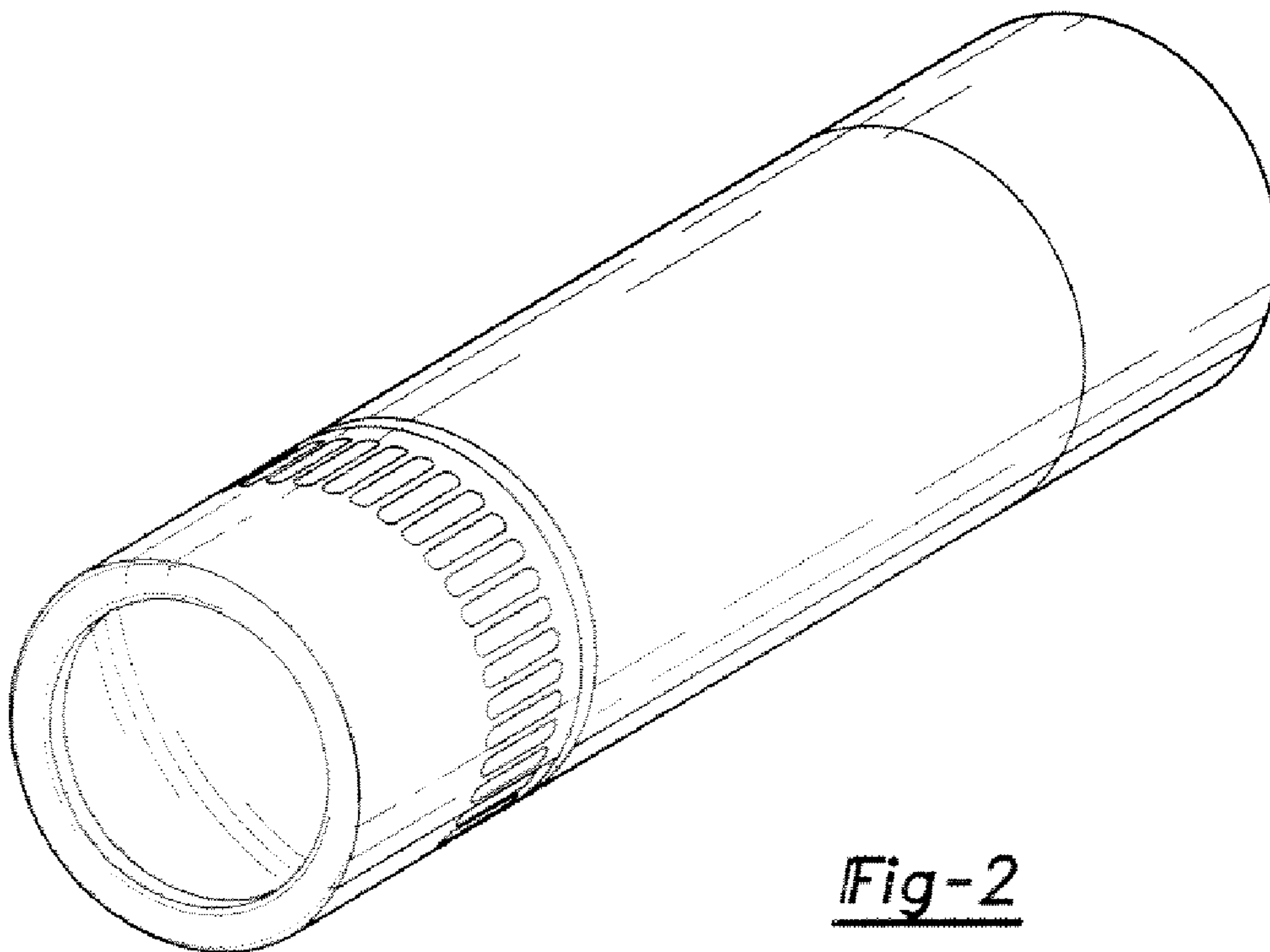


Fig-2

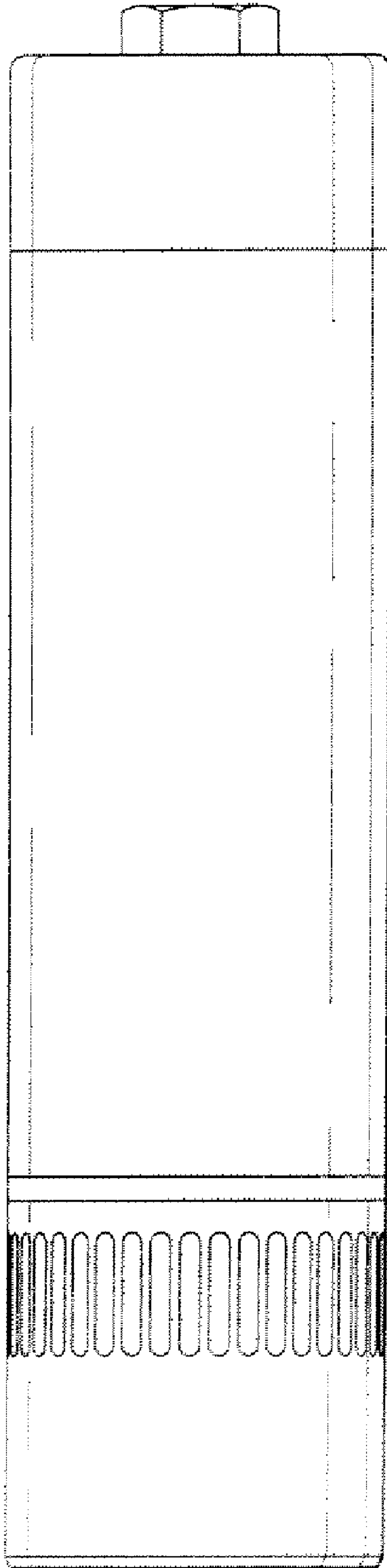


Fig-3

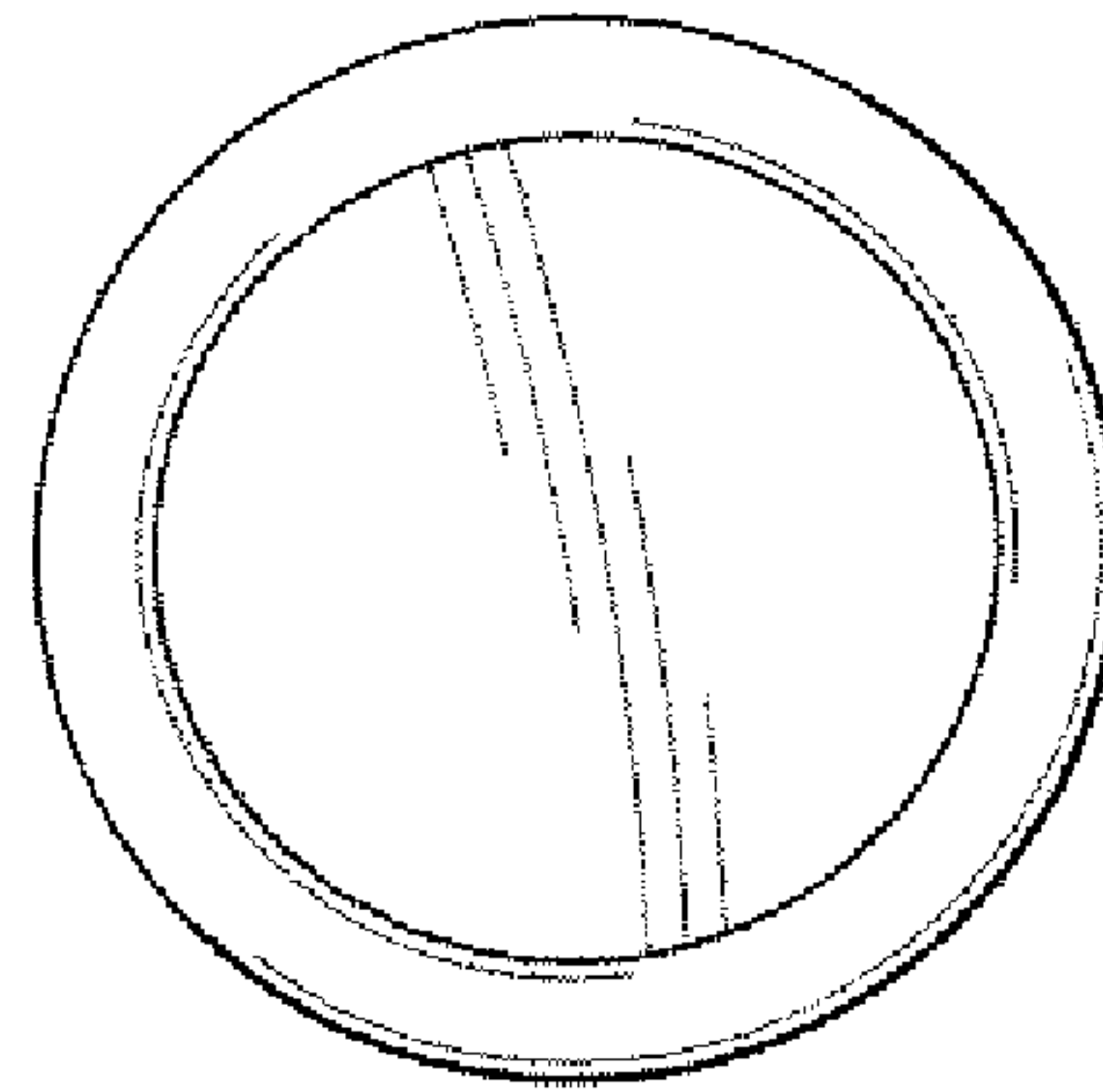


Fig-4