



US00D547345S

(12) **United States Design Patent**  
**Iida et al.**

(10) **Patent No.:** **US D547,345 S**

(45) **Date of Patent:** **\*\* Jul. 24, 2007**

(54) **DIGITAL CAMERA**

(75) Inventors: **Masami Iida**, Tokyo (JP); **Tatsuo Okuda**, Tokyo (JP); **Masahiro Kurita**, Kanagawa (JP)

(73) Assignee: **Ricoh Company, Ltd.**, Tokyo (JP)

(\*\*) Term: **14 Years**

(21) Appl. No.: **29/252,769**

(22) Filed: **Jan. 27, 2006**

(30) **Foreign Application Priority Data**

Jul. 29, 2005 (JP) ..... 2005-022169

(51) **LOC (8) Cl.** ..... **16-01**

(52) **U.S. Cl.** ..... **D16/202**

(58) **Field of Classification Search** ..... D16/200-204,  
D16/208, 217, 218; 348/373-376; 358/909.1;  
396/535-541

See application file for complete search history.

(56) **References Cited**

**U.S. PATENT DOCUMENTS**

D471,220 S \* 3/2003 Hamamura ..... D16/218  
D487,283 S \* 3/2004 Watanabe ..... D16/202  
D524,345 S \* 7/2006 Hayamizu ..... D16/202

D528,579 S \* 9/2006 Yasutomi ..... D16/202  
7,106,959 B2 \* 9/2006 Sato ..... 348/373  
D533,574 S \* 12/2006 Hamamura ..... D16/202  
D535,314 S \* 1/2007 Chang ..... D16/202  
D536,356 S \* 2/2007 Nakamura ..... D16/202

\* cited by examiner

*Primary Examiner*—Adir Aronovich

(74) *Attorney, Agent, or Firm*—Dickstein Shapiro LLP

(57) **CLAIM**

The ornamental design for a digital camera, as shown and described.

**DESCRIPTION**

FIG. 1 is a front elevation of a digital camera according to the present invention;

FIG. 2 is a rear elevation thereof;

FIG. 3 is a top plan view thereof;

FIG. 4 is a bottom plan view thereof;

FIG. 5 is a right side elevation thereof;

FIG. 6 is a left side elevation thereof;

FIG. 7 is a top, front and right side perspective view thereof; and,

FIG. 8 is a top, rear and left side perspective view thereof.

**1 Claim, 4 Drawing Sheets**

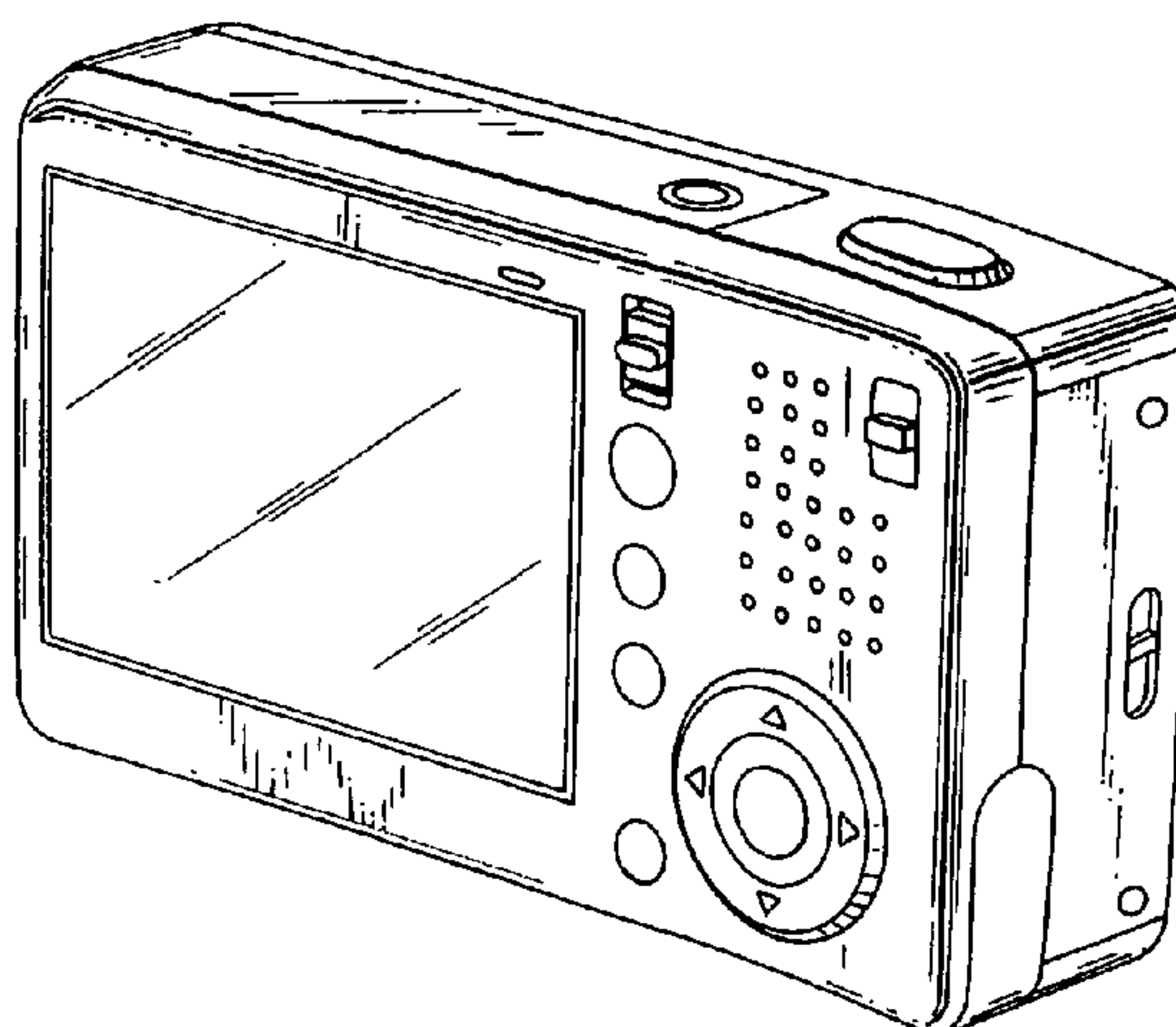
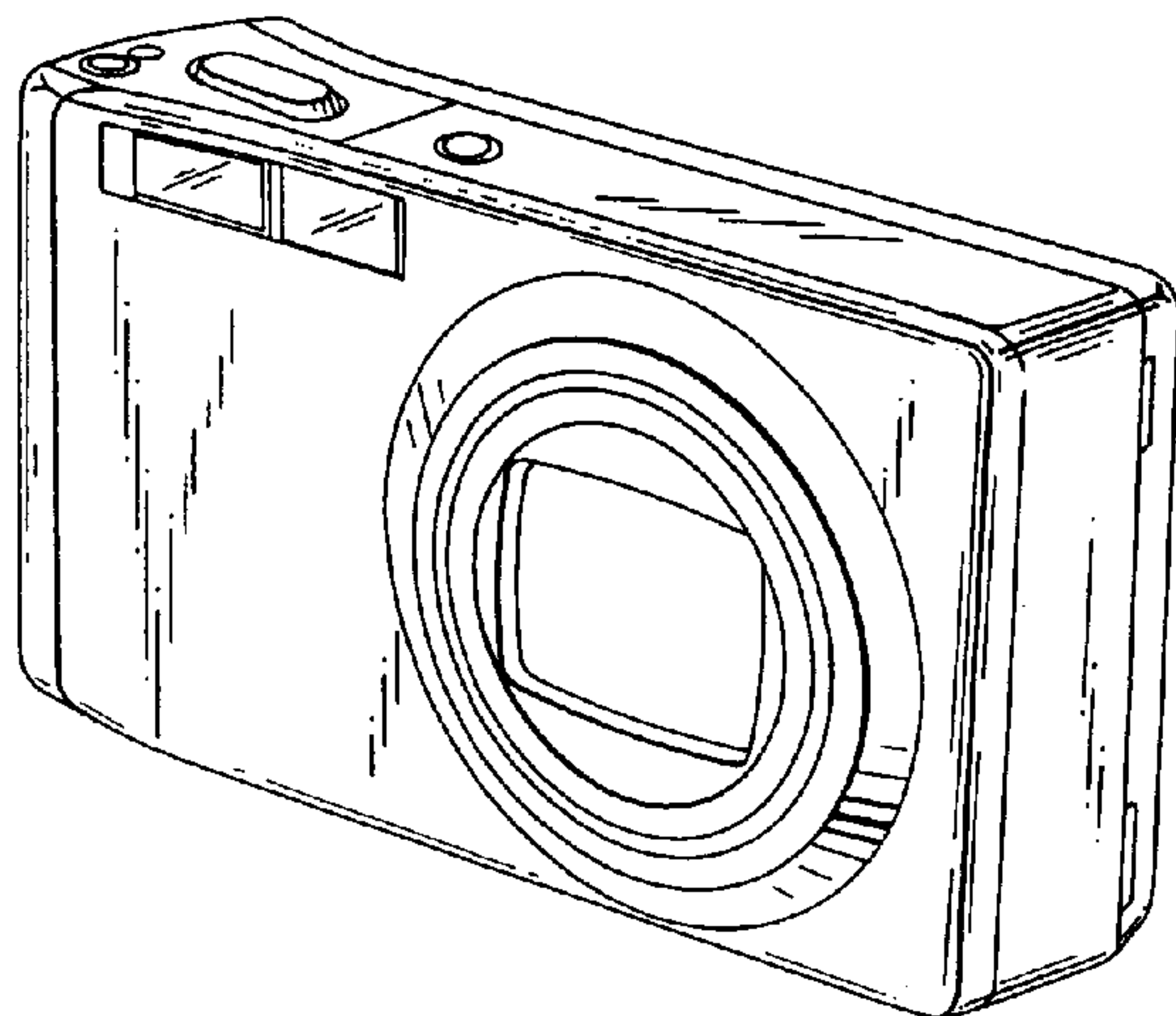


FIG. 1

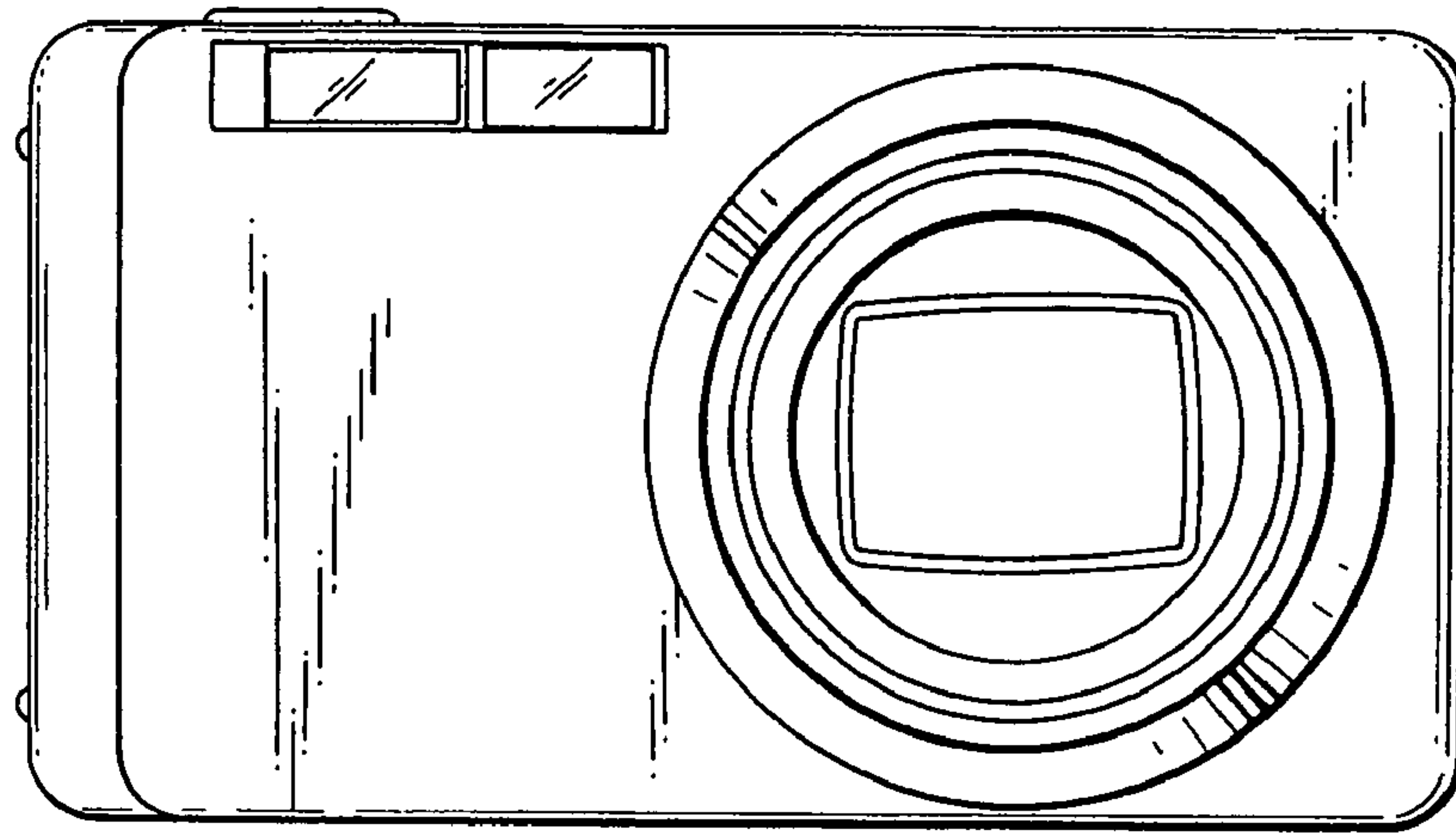


FIG. 2

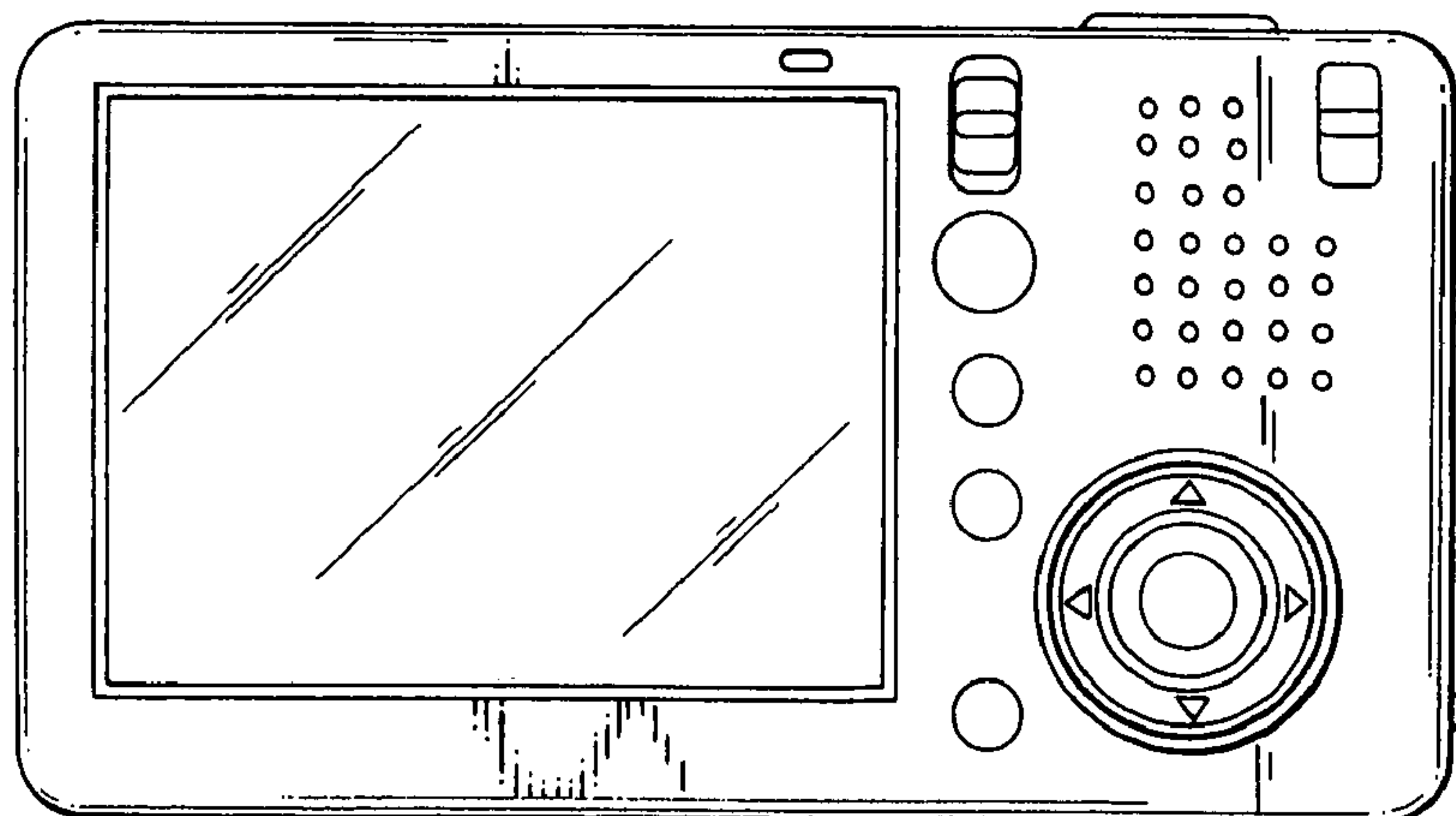


FIG. 3

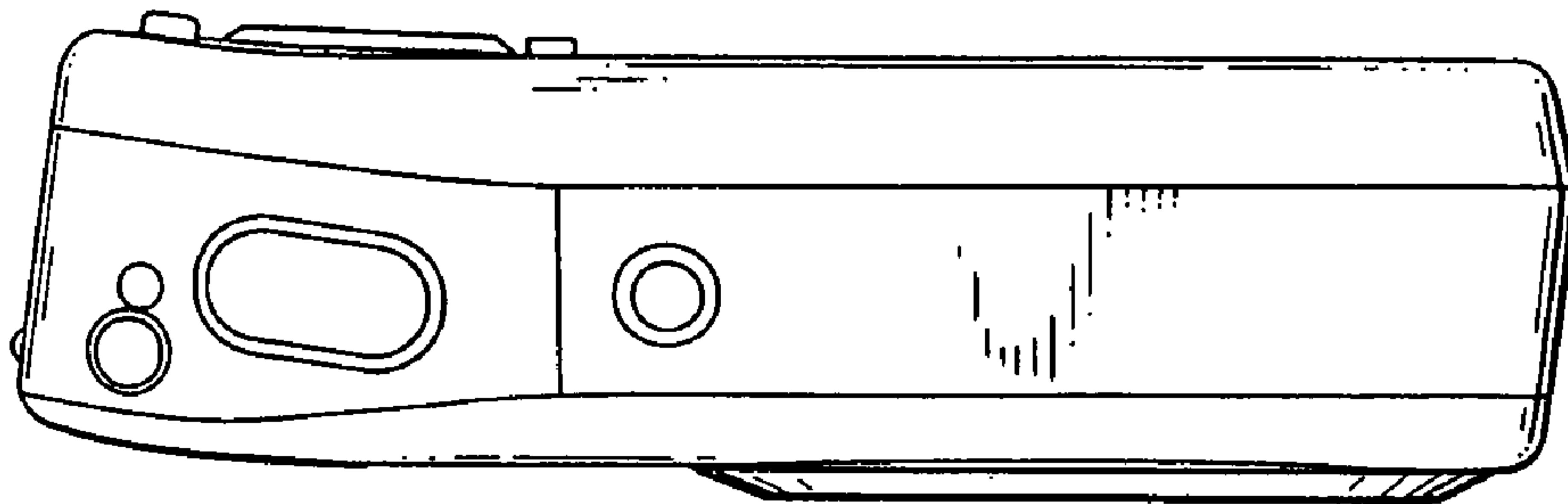


FIG. 4

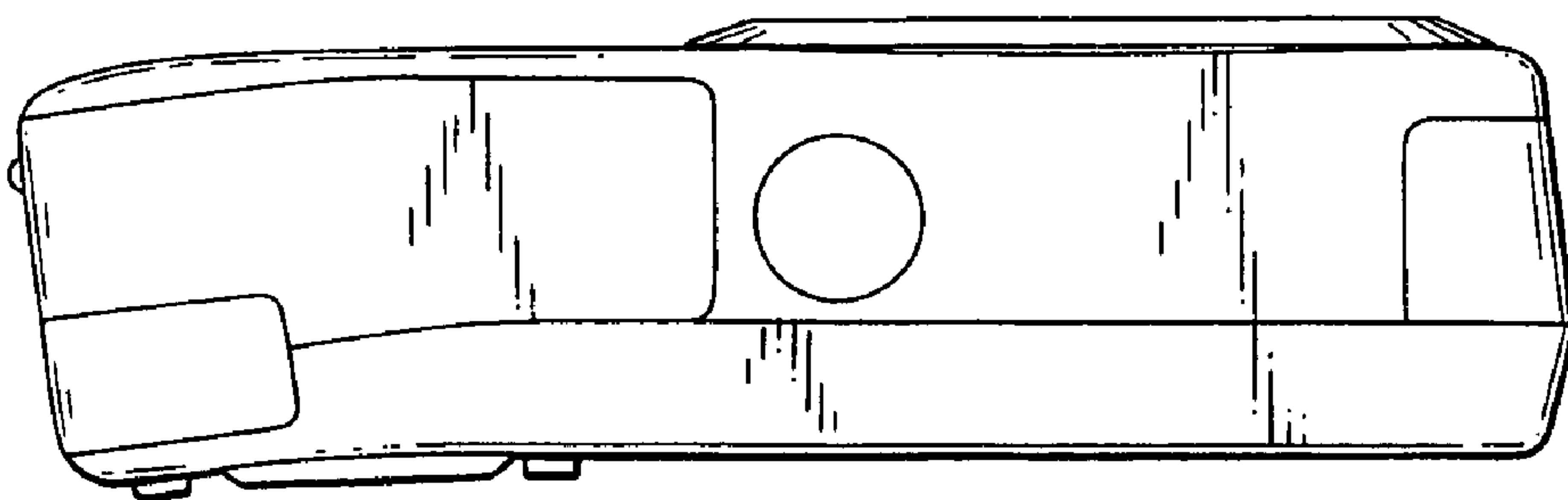


FIG. 5

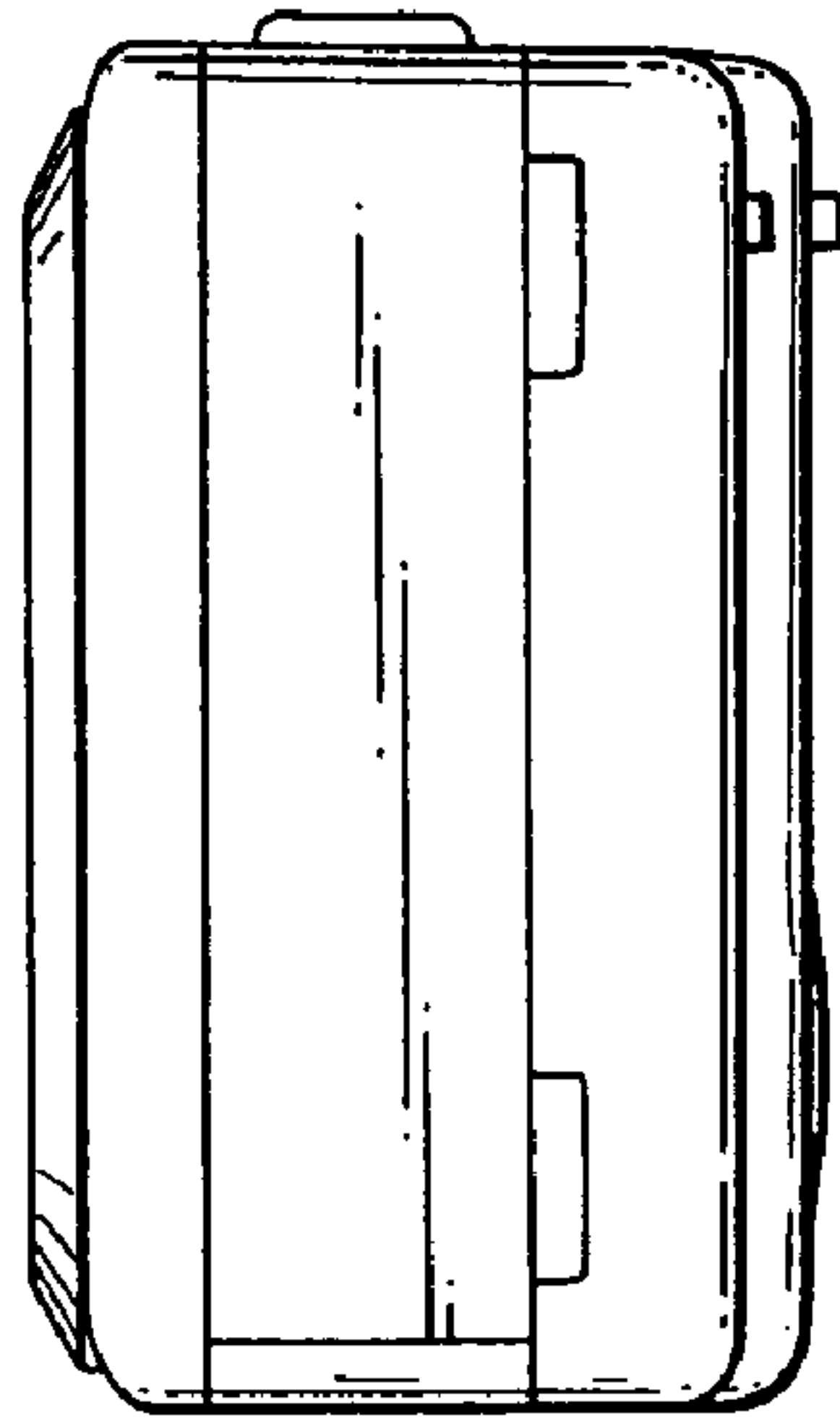


FIG. 6

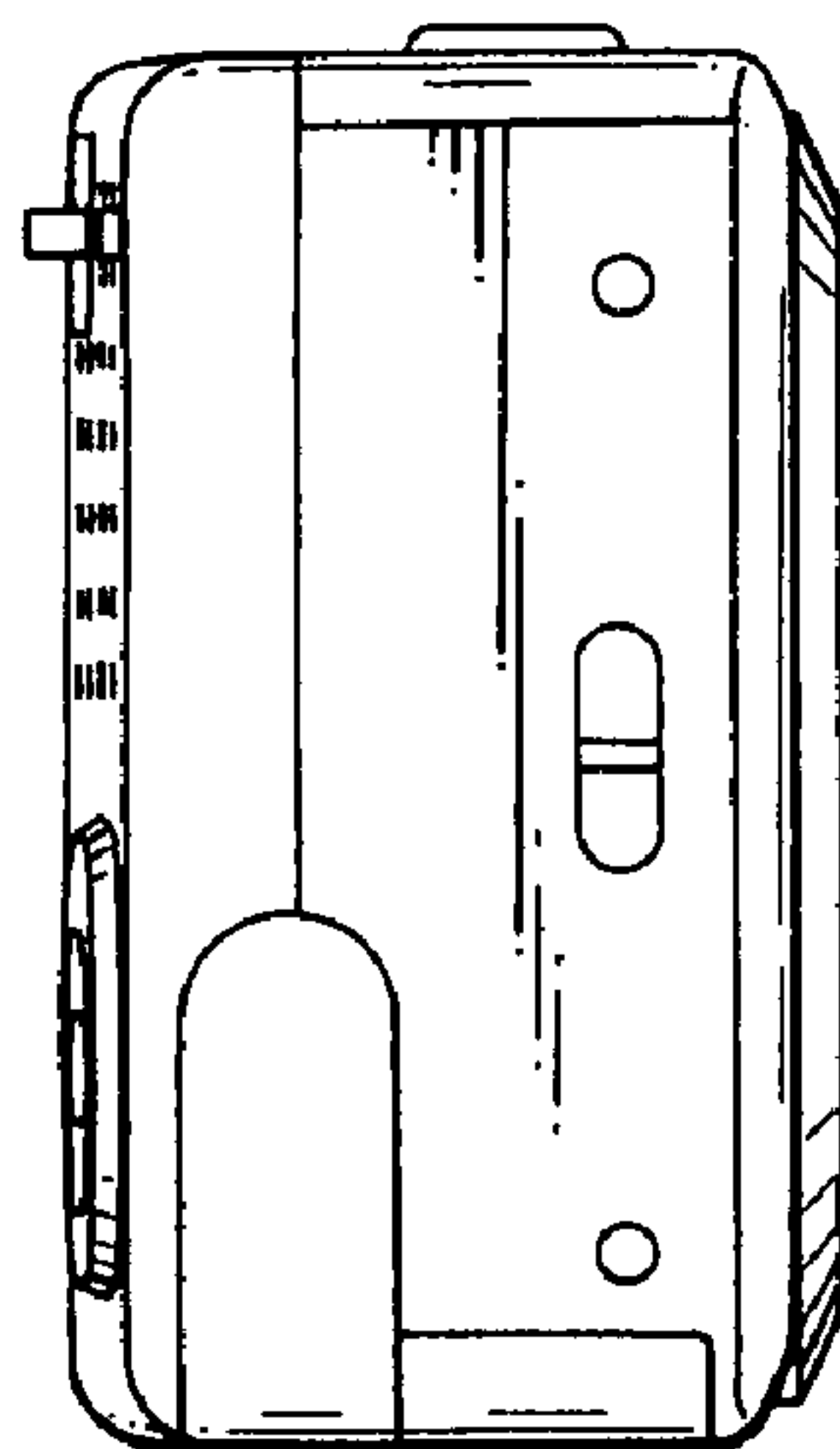


FIG. 7

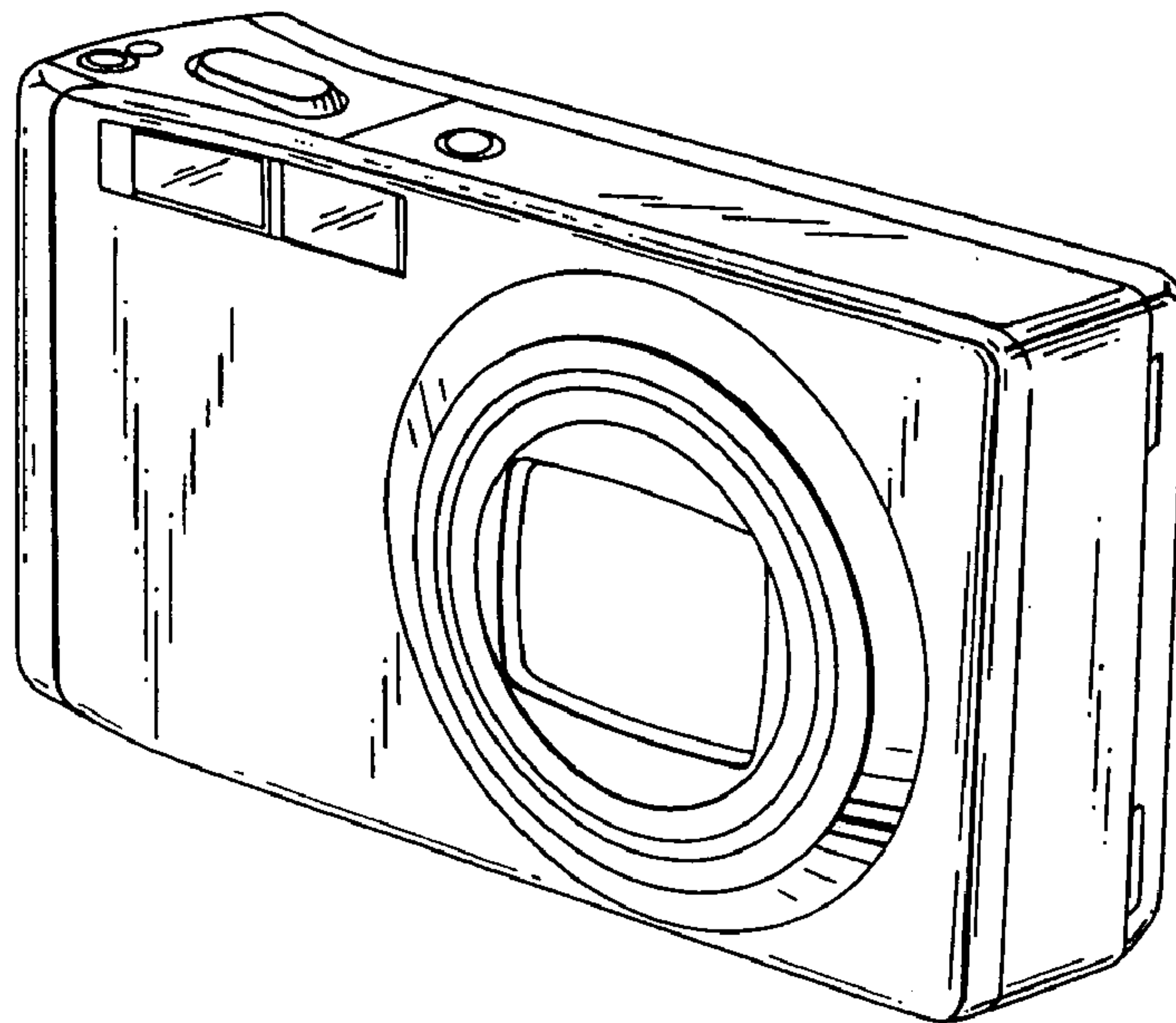


FIG. 8

